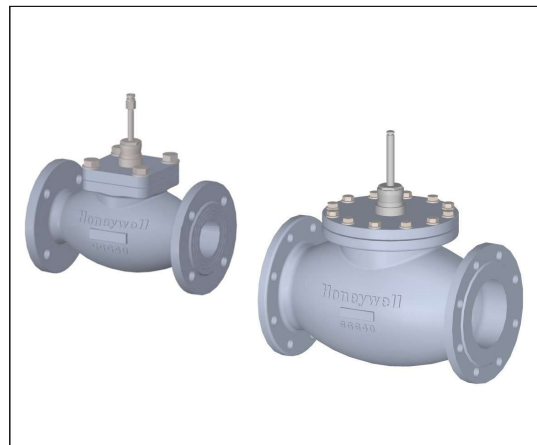


V5GV2W SERIES FLANGED GLOBE VALVE, PN16

- Pressure balanced valve plug
- Low leakage rate
- Metal sealing of valve seat for long life span
- Accurate positioning of valve stem to ensure temperature control
- Easy mounting of being directly coupled with ML7420, ML7421 or ML8824A* actuator without the need for stem connection



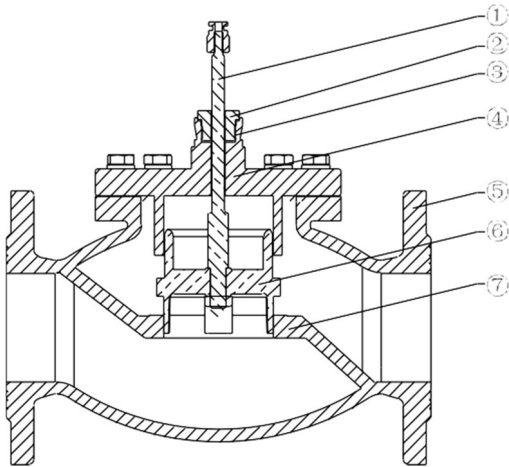
SYSTEM OVERVIEW

V5GV2W globe valve direct coupled with linear actuators ML7420, ML7421 or ML8824A* are used to provide precise control for HVAC hydraulic system applications.

Technical Specification

Action	Stem down to close
Nominal pressure rating	PN16
Flow characteristic	Equal percentage
Rangeability	50:1
Leakage rate	≤0.02% of Kvs
Rated stroke	20mm (DN50-80), 40mm (DN100-150)
Connection	Flanged per ISO 7005-2
Medium	Chilled/hot water
Medium temperature	-15°C to +130°C

Material and Structure

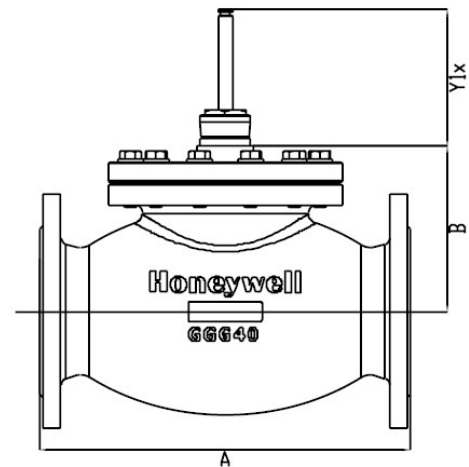


Material List

NO.	DESCRIPTION	MATERIAL
01	Valve stem	Stainless steel
02	Packing	PTFE + Stainless steel spring
03	O-ring	Fluoro rubber
04	Valve disk	Ductile iron QT450-10
05	Valve body	Ductile iron QT450-10
06	Valve plug	Stainless steel
07	Valve seat	Stainless steel

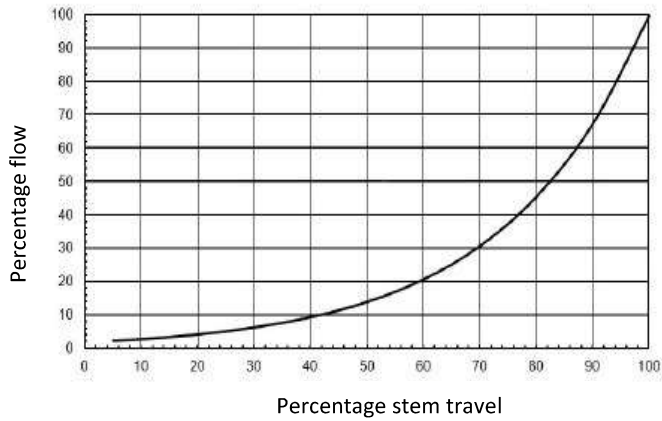
Product Model

Product Model	Valve Size (mm)	Kvs m ³ /h	A	B	Y1X
V5GV2W050F-E	DN50	40	230	106	87
V5GV2W065F-E	DN65	63	290	120	87
V5GV2W080F-E	DN80	100	310	133	87
V5GV2W100F-E	DN100	160	350	156	131
V5GV2W125F-E	DN125	250	400	174	131
V5GV2W150F-E	DN150	360	480	196	131



Close-off Pressure Rating (kPa)

Actuators	Valve						
	Stroke	DN50	DN65	DN80	DN100	DN125	DN150
ML7420A / ML8824A0620*	20mm	1000	1000	1000	—	—	—
ML7421A / ML8824A1820*	20mm	1600	1600	1600	—	—	—
ML7421B / ML8824A1840*	40mm	—	—	—	1600	1600	1000



Installation Requirements

- Medium (Chilled/hot) water must meet VDI2035 requirements.
- Do not install valve with stem below the horizontal.
- Fluid flow must correspond with the arrow direction on the valve body.
- The installation of a strainer is strongly recommended.

For more information!

<https://honeywellbuildings.in>

Call: 1-800-103-0339

Email: HBT-Indiabuildings@honeywell.com

Honeywell HBT India Buildings

Unitech Trade Center, 5th Floor, Sector-43,
Block C, Sushant Lok Phase - I,
Gurgaon - 122 002

www.honeywell.com

© 2020 Honeywell International Inc.

V5GV2W SERIES
FLANGED GLOBE VALVE
PN16

Honeywell