



GRETSCH-UNITAS GROUP

Architectural Hardware for PVC Windows & Doors

- Tilt & Turn hardware systems UNI-JET D
- Casement hardware
- Inline sliding hardware
- Fold & Slide hardware
- Lift & Slide hardware
- Fanlight openers
- Multi-point lock for security door
- Lock cylinder

Vorsprung mit System
Securing technology for you





GU Product System





CERTIFICATE

The AGQS Qualitäts- und Umweltmanagement GmbH hereby certifies that the company

Gretsch-Unitas GmbH
Johann-Maus-Straße 3
D-71254 Ditzingen

at the location

BKS GmbH
Heidestraße 71
D-42549 Velbert

for the scope

development, production and sales of locking cylinders, locking suites, locks for house and internal doors, door furniture, door closers as well as emergency door systems and cross-linked safety- and facility management systems as well as Smart Home application. Training of these systems by GEMOS academy

has implemented and maintains a quality management system. An audit, documented in a report, has verified that this management system fulfils the requirements of the following standard:

DIN EN ISO 9001:2015

J. BKS
Remscheid, 2021-04-16



only valid in conjunction with the main certificate 035-QMS-95-08

AGQS Qualitäts- und Umweltmanagement GmbH Elberfelder Straße 77 D-42853 Remscheid email@agqs.de	Audit Certificate Valid from Valid until 1st certification	035-QMS-R80 035-QMS-95-08-03 2021-05-01 2024-04-30 1995-01-26
--	---	---



CERTIFICATE

The AGQS Qualitäts- und Umweltmanagement GmbH hereby certifies that the company

GU Gretsch-Unitas GmbH
Johann-Maus-Straße 3
D-71254 Ditzingen

for the scope

design, manufacturing and sales of fittings, locks and locking cylinders for wooden, PVC and aluminium windows and doors and cross-linked safety- and facility management systems as well as Smart Home applications and trading of accessory products

with the sites mentioned in the annex

has implemented and maintains a quality management system. An audit, documented in a report, has verified that this management system fulfils the requirements of the following standard:

DIN EN ISO 9001:2015

J. BKS
Remscheid, 2021-04-16



AGQS Qualitäts- und Umweltmanagement GmbH Elberfelder Straße 77 D-42853 Remscheid email@agqs.de	Audit Certificate Valid from Valid until 1st certification	035-QMS-R80 035-QMS-95-08 2021-05-01 2024-04-30 1995-01-26
--	---	--



Annex to the main certificate 035-QMS-95-08

site E1 to the main certificate:
Gretsch-Unitas GmbH Bundesstraße, Johann-Maus-Straße 3, D-71254 Ditzingen

for the scope
design, manufacturing and sales of fittings, locks and locking cylinders for wooden, PVC and aluminium windows and doors, trading of accessory products

sub certificate 035-QMS-95-08-01, 1st certification 1995-01-26

site E2 to the main certificate:
Gretsch-Unitas Logistik GmbH, Weimurder Str. 48-52, D-71254 Ditzingen

for the scope
storage, commissioning and distribution of products from the GU group

sub certificate 035-QMS-95-08-02, 1st certification 1995-01-26

site E3 to the main certificate:
BKS GmbH, Heidestraße 71, D-42549 Velbert

for the scope
development, production and sales of locking cylinders, locking suites, locks for house and internal doors, door furniture, door closers as well as emergency door systems and cross-linked safety- and facility management systems as well as Smart Home application. Training of these systems by GEMOS academy

sub certificate 035-QMS-95-08-03, 1st certification 1995-01-26

site E4 to the main certificate:
Fenco International S.A.S., 2 rue de vieux Moulin, F-57401 Sarrebourg

for the scope
design, manufacturing and sales of fittings and locks for wooden, PVC and aluminium windows and doors as well as trading of accessory products

sub certificate 035-QMS-95-08-04, 1st certification 1995-01-26

site E5 to the main certificate:
GU Slovensko, s.r.o., Prievozský park Misa-Sever / Dohrá Hory 24, SK 65141 Lužianky

for the scope
manufacturing and sales of fittings and locks for wooden, PVC and aluminium windows and doors as well as trading of accessory products

sub certificate 035-QMS-95-08-05, 1st certification 1995-01-26

site E6 to the main certificate:
AGQS GmbH, Breitenbachstraße 10, D-13509 Berlin

for the scope
development of hard- and software for cross-linked safety- and facility management systems and Smart Home applications

sub certificate 035-QMS-95-08-06, 1st certification 1995-01-26

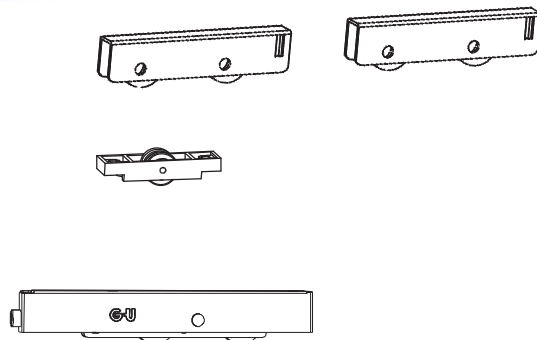
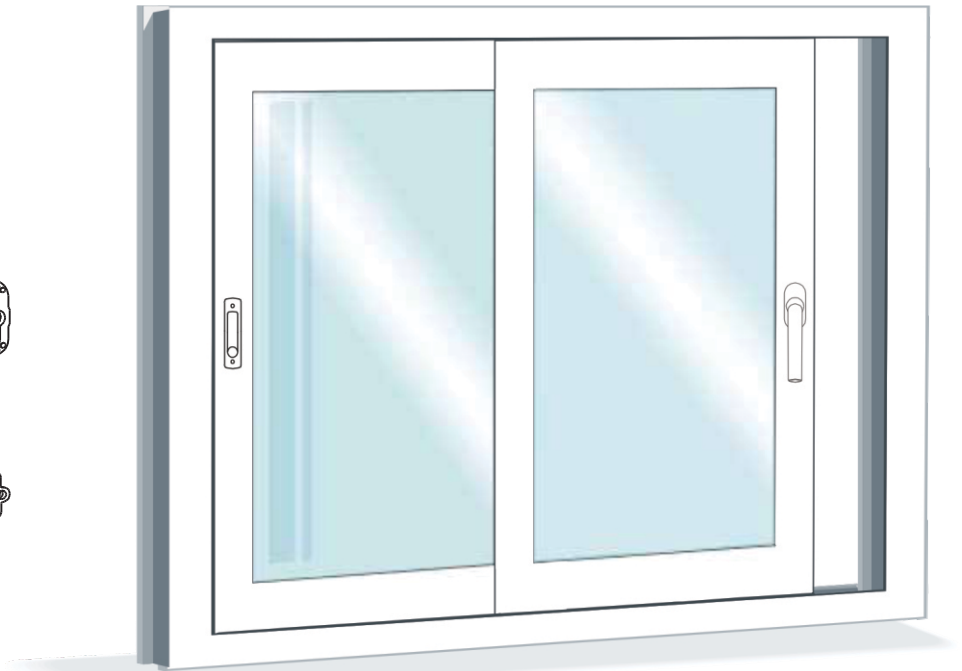
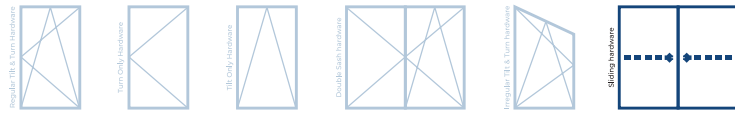
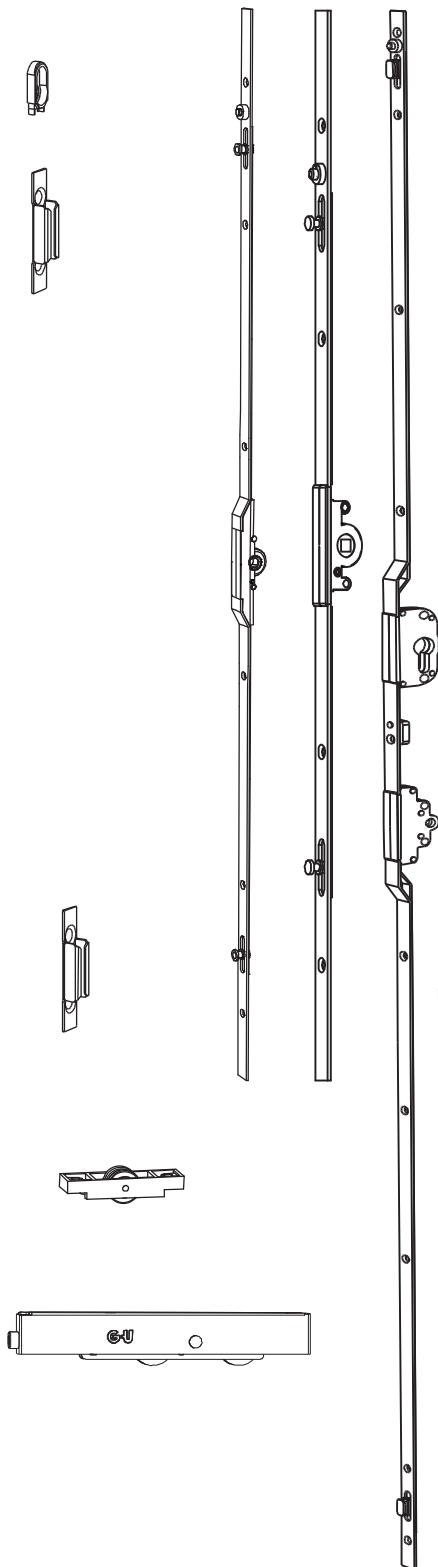


AGQS Qualitäts- und Umweltmanagement GmbH Elberfelder Straße 77 D-42853 Remscheid email@agqs.de	Audit Certificate Valid from Valid until 1st certification	035-QMS-R80 035-QMS-95-08 2021-05-01 2024-04-30 1995-01-26
--	---	--

INDEX

S.No.	Particulars	Page No.
1.	Sliding Door And Window Multipoint Series	5-6
2.	Sliding Door And Window Roller Series	7
3.	Casement Window Hardware Series	8-9
4.	Casement Friction Stay	10
5.	Casement & Top Hung Window Hardware Series	11
6.	Casement Door Hardware Series	12-14
7.	Standard Lock Cylinder 59 Series	15-16
8.	Door & Window Hinges Series	17
9.	Door & Window Handle Series	18-21
10.	French Door & Window Hardware Series	22
11.	Tilt & Turn Hardwares	23-27
12.	Lift & Sliding Hardwares	28-31
13.	Fold & Slide Hardwares	32-34
14.	Ventus F200 Fanlight Opener	35
15.	Strikers Series	36-37
16.	Door & Window Accessories	38
17.	G-U Window Product Data List	39

1. Sliding Door And Window

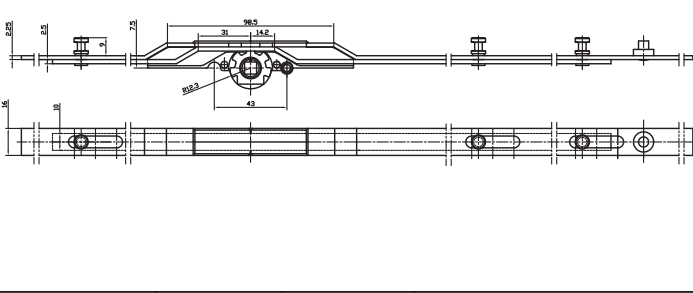


OUR ADVANTAGES

- 7.5 mm and 15 mm backset options.
- Size options from 400 mm to 2200 mm.
- Carbon Steel
- 480 Salt Spray hours

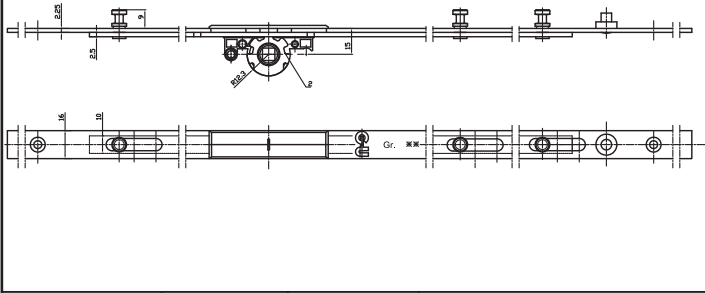
1a. Sliding Door And Window Multipoint

Backset is 7.5mm



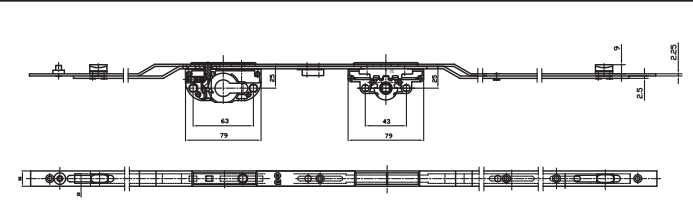
Applicable Height	Length of rod	Locking Cam	Product Code
400-600	400	2	C-90135-04-0-1
601-800	600	2	C-90135-06-0-1
801-1000	800	2	C-90135-08-0-1
1001-1200	1000	2	C-90135-10-0-1
1201-1400	1200	3	C-90135-12-0-1
1401-1600	1400	3	C-90135-14-0-1
1601-1800	1600	3	C-90135-16-0-1

Backset is 15mm



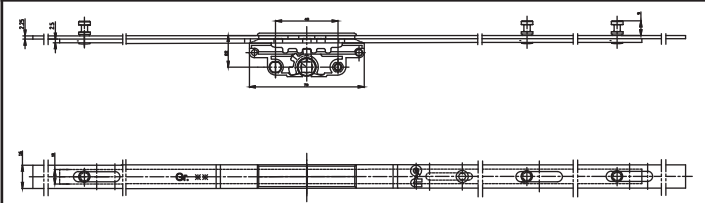
Applicable Height	Length of rod	Locking Cam	Product Code
601-800	600	2	C-90136-06-0-1
801-1000	800	2	C-90136-08-0-1
1001-1200	1000	2	C-90136-10-0-1
1201-1400	1200	3	C-90136-12-0-1
1401-1600	1400	3	C-90136-14-0-1
1601-1800	1600	3	C-90136-16-0-1
1801-2000	1800	4	GUIN20210305-02-1.8
2001-2200	2000	4	GUIN20210305-02-2

Backset is 15mm Lockable



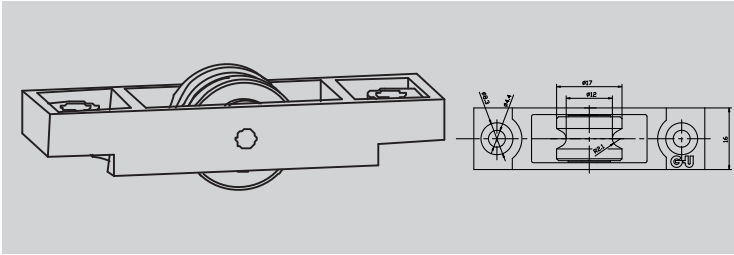
Applicable Height	Length of rod	Locking Cam	Product Code
1600-1800	1600	2	C-90137-10-0-1
2000-2200	2000	2	GUEX20160302-02-2
2200-2400	2200	2	GUEX20160302-02-2.2

Backset is 22mm

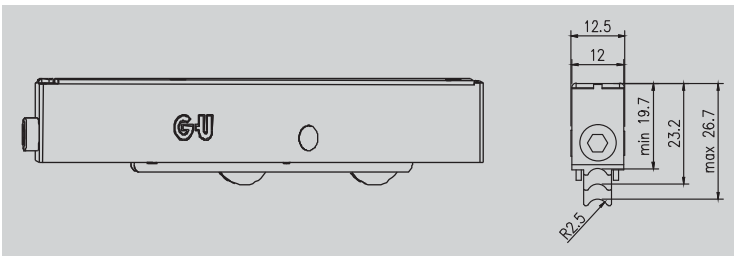


Applicable Height	Length of rod	Locking Cam	Product Code
400-600	400	2	C-90725-04-0-1
601-800	600	2	C-90725-06-0-1
801-1000	800	2	C-90725-08-0-1
1001-1200	1000	2	C-90725-10-0-1
1201-1400	1200	3	C-90725-12-0-1
1401-1600	1400	3	C-90725-14-0-1
1601-1800	1600	3	C-90725-16-0-1

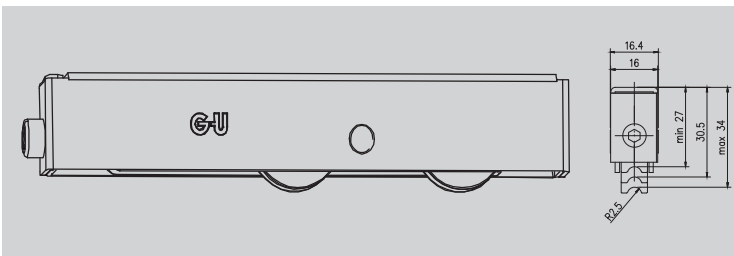
1b. Sliding Door And Window Roller



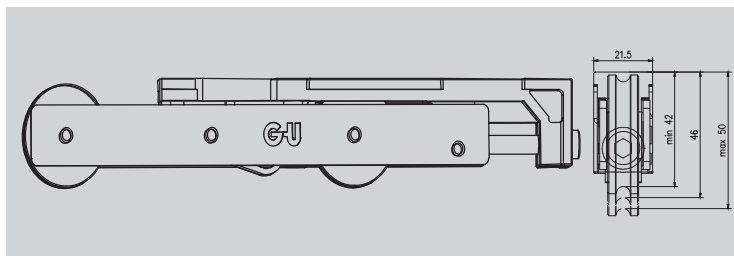
Article No.	C-90104-00-0-0/GUIN20200327-01
Weight capacity	40kg/pair
Bogie width	16mm
Bogie height	11mm



Article No.	GUIN20200327-02	C-90106-04-0-1
Weight capacity	80kg/pair	120kg/pair
Bogie width	12.3mm	12.3mm
Bogie height	19-28mm	19-28mm

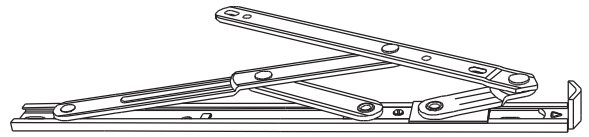


Article No.	C-90107-00-0-1	C-90107-04-0-1
Weight capacity	120kg/pair	200kg/pair
Bogie width	16.3mm	16.3mm
Bogie height	27-34mm	27-34mm

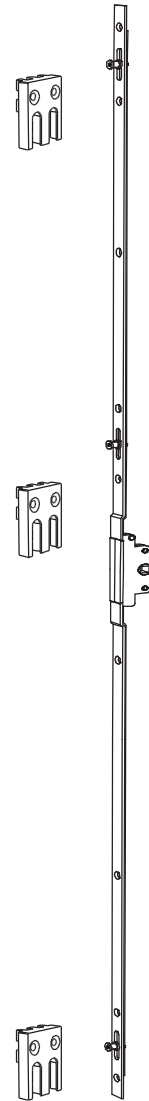
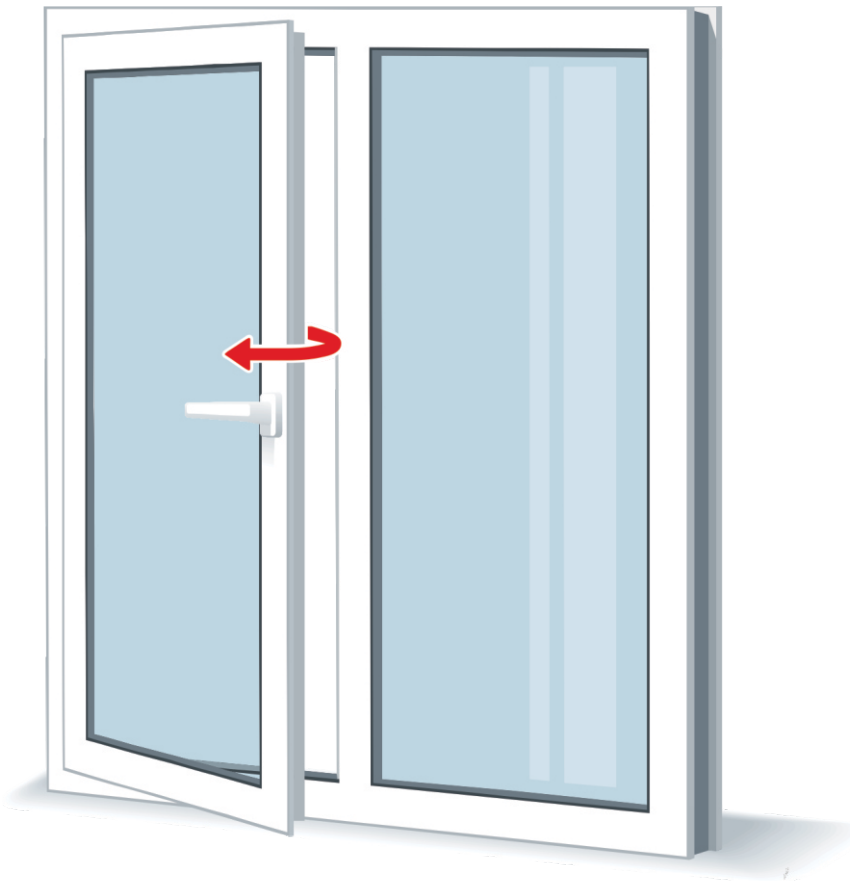


Article No.	C-90109-00-0-8
Weight capacity	260kg/pair
Bogie width	22mm
Bogie height	42-50mm

2. Casement Window Hardware

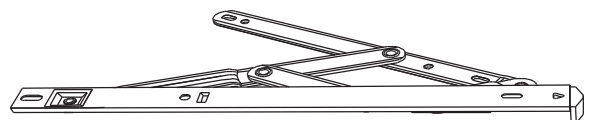


Frictional hinge



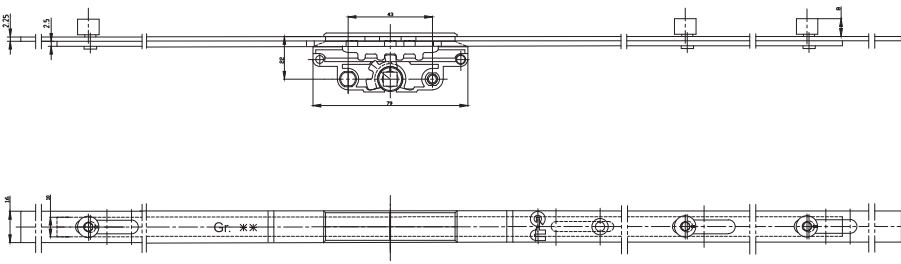
OUR ADVANTAGES

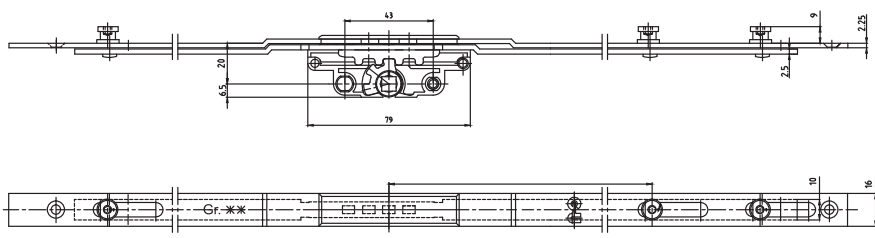
- 20 & 22mm Backset Options with Round & Mushroom Cam
- Size Options from 400mm to 1800mm
- Carbon Steel with Zinc Coating
- 480 Hrs Salt Spray Test



Frictional hinge

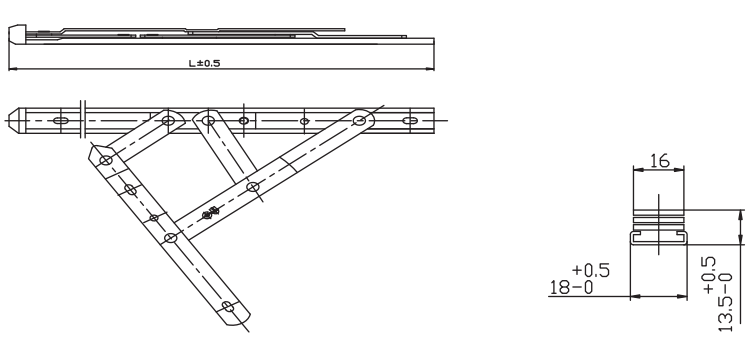
2a. Casement Window Multipoint

Backset is 22mm Round Cam			
			
Applicable Height	Length of rod	Locking Cam	Product Code
401-600	400	2	C-90724-04-0-1
601-800	600	2	C-90724-06-0-1
801-1000	800	2	C-90724-08-0-1
1001-1200	1000	2	C-90724-10-0-1
1201-1400	1200	3	C-90724-12-0-1
1401-1600	1400	3	C-90724-14-0-1
1601-1800	1600	3	C-90724-16-0-1

Backset is 20mm Mushroom Cam			
			
Applicable Height	Length of rod	Locking Cam	Product Code
401-600	400	2	6-30186-04-0-1
601-800	600	2	6-30186-06-0-1
801-1000	800	2	6-30186-08-0-1
1001-1200	1000	3	6-30186-10-0-1
1201-1400	1200	3	6-30186-12-0-1

2b. Casement Friction Stay

Casement Friction stay Light Duty 13.5mm Stack Height



Functional advantages:

- Material: Stainless steel 304
- The thickness of all the connection bars is 1.9 ± 0.1 mm
- Comply with EN 13126-6

Possible constructions/solutions:

Article No.	Length (L)	Opening Angle N ($\pm 3^\circ$)	Max.Sash Weight (Kg)
C-90521-01-P-8	8"	87	12
C-90523-01-P-8	12"	64	22
C-90524-01-P-8	14"	55	22
C-90525-01-P-8	16"	55	24

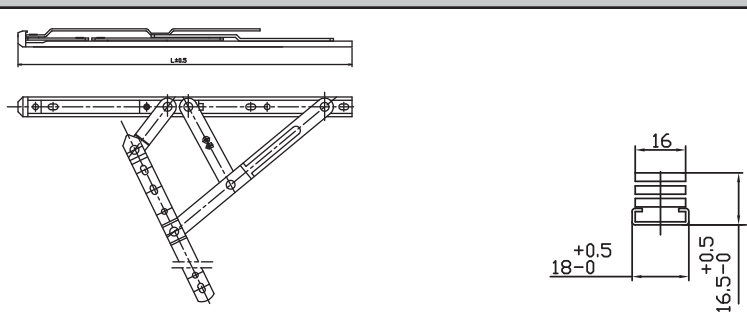
Functional advantages:

- Material: Stainless steel 304
- The thickness of all the connection bars is 1.9 ± 0.1 mm
- Comply with EN 13126-6

Functional advantages:

- Material: Stainless steel 304
- The thickness of all the connection bars is 1.9 ± 0.1 mm
- Comply with EN 13126-6

Casement Friction stay Light Duty 16.5mm Stack Height

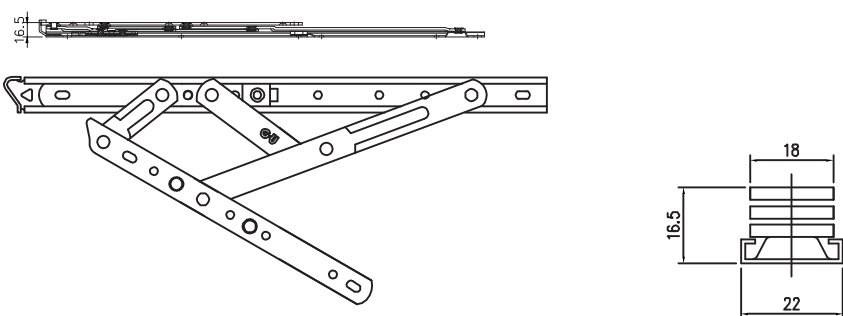


Possible constructions/solutions:

Article No.	Length (L)	Opening Angle N ($\pm 3^\circ$)	Max.Sash Weight (Kg)
C-90521-02-P-8	8"	87	12
C-90522-02-P-8	10"	87	16
C-90523-02-P-8	12"	64	22
C-90524-02-P-8	14"	55	22
C-90525-02-P-8	16"	55	24

2c. Casement & Top Hung Friction Stay

Casement Friction stay Heavy Duty 16.5mm Stack Height

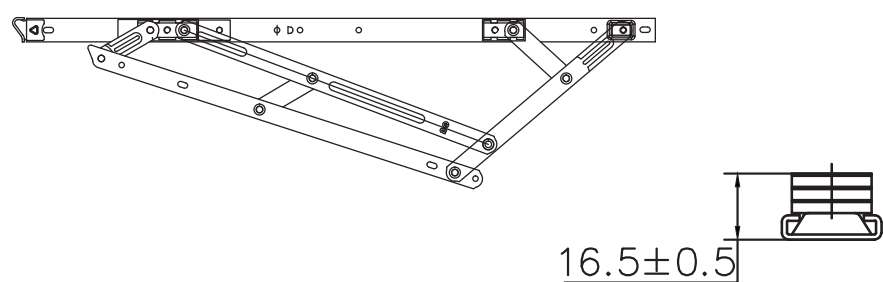


Article No.	Max. Sash Height (mm)	For Sash Width (mm)	Max. Sash Weight (kg)	Opening Angle	Qty.	Length
C-90502-05-P-8	1500	275-450	23	90°	4	10
C-90503-05-P-8	1500	325-500	28	45°/90°	4	12
C-90504-05-P-8	1500	375-600	33	45°/90°	4	14
C-90505-05-P-8	1600	425-700	38	45°/90°	4	16
C-90506-05-P-8	1600	475-750	43	45°/90°	4	18
C-90507-05-P-8	1600	525-800	45	60°	4	20
C-90509-05-P-8	2150	625-900	55	30°/45°	5	24

Functional advantages:

- Material: Stainless steel 304
- The thickness of all the connection bars is 2.2 ± 0.1 mm
- Comply with EN 13126-6

Top Hung Friction stay Heavy Duty 16.5mm Stack Height

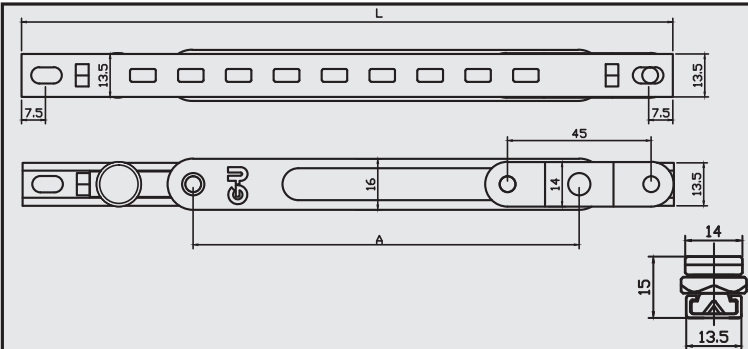


Functional advantages:

- Material: Stainless steel 304
- The thickness of all the connection bars is 3.0 ± 0.1 mm
- Comply with EN 13126-6

Possible constructions/solutions:

Article No.	Max. Sash Height (mm)	For Sash Width (mm)	Max. Sash Weight (kg)	Opening Angle	Qty.	Length
C-90513-05-P-8	1200	800	48	20°/32°	4	12
C-90514-05-P-8	1300	1000	58	20°/32°	4	14
C-90515-05-P-8	1400	1200	73	20°/25°/28°	4	16
C-90516-05-P-8	1400	1400	80	20°/25°/28°	4	18
C-90517-05-P-8	1600	1500	95	20°/25°/28°	6	20
C-90519-05-P-8	1800	1600	105	20°/32°	6	24
C-90520-05-P-8	2000	1700	130	10°/16°	7	28
C-90520-06-P-8	2400	1700	150	10°/16°	7	32



Article No.	A	L	Length
C-90526-08-0-8	121	204	8
C-90526-10-0-8	171	254	10
C-90526-12-0-8	221	304	12
C-90526-14-0-8	271	354	14
C-90526-16-0-8	321	404	16

OUR ADVANTAGES

- Material SS 304
- Compliance With EN 13126-6
- Suitable for Side hung

3. Casement Door Hardware



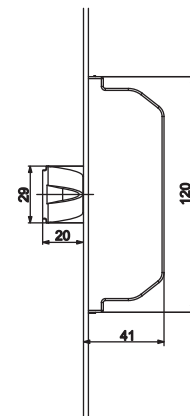
Door leaf:

- 1 = Multi-point lock
- 2 = Top extension piece or extension with additional lock

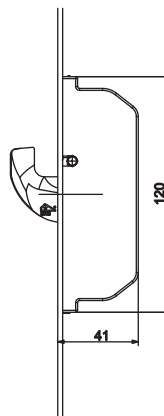
Door frame:

- 3 = Striker
- 4 = Latch&deadbolt striker

Massive bolt

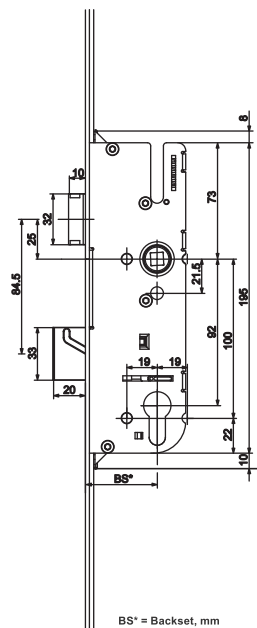


Hook bolt



Manual-locking locking systems

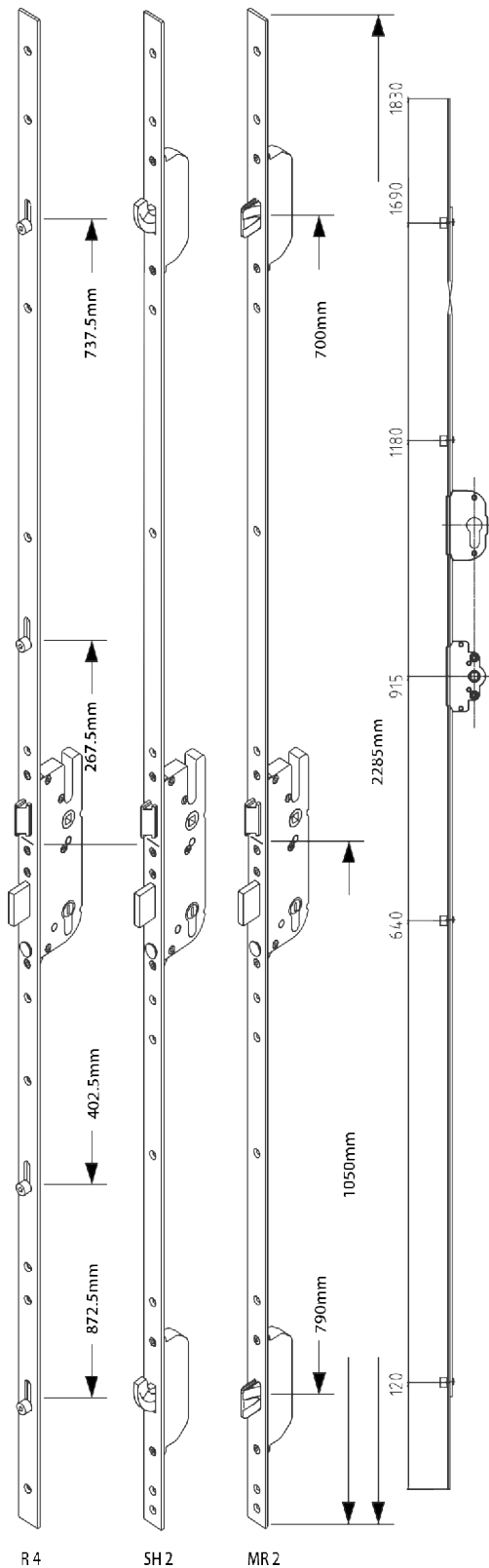
Main lock case



Roller-cam



3a. Casement Door Multipoint



Security Europa - R4			
Backset [mm]	Faceplate [mm]	Follower [mm]	Order number
28	16	8	6-32231-02-0-1
30	16	8	6-32231-03-0-1
35	16	8	6-32231-01-0-1

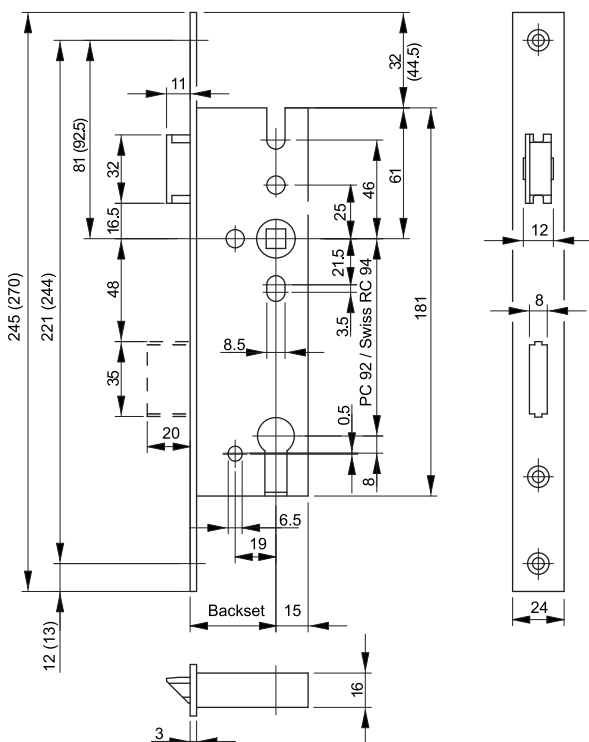
Security Europa - SH2			
Backset [mm]	Faceplate [mm]	Follower [mm]	Order number
35	16	8	6-32201-01-0-1
45	16	8	6-32201-02-0-1

Security Europa - MR2			
Backset [mm]	Faceplate [mm]	Follower [mm]	Order number
35	16	8	6-32217-01-0-1
45	16	8	6-32217-02-0-1

Security Europa - R4			
Backset [mm]	Faceplate [mm]	Follower [mm]	Order number
30 Non-Lockable	16	8	C-90744-xx-0-1
30 Lockable	16	8	C-90754-xx-0-1
35 Non-Lockable	16	8	C-90745-xx-0-1
35 Lockable	16	8	C-90755-xx-0-1

xx= Length - 18, 20, 22, 24

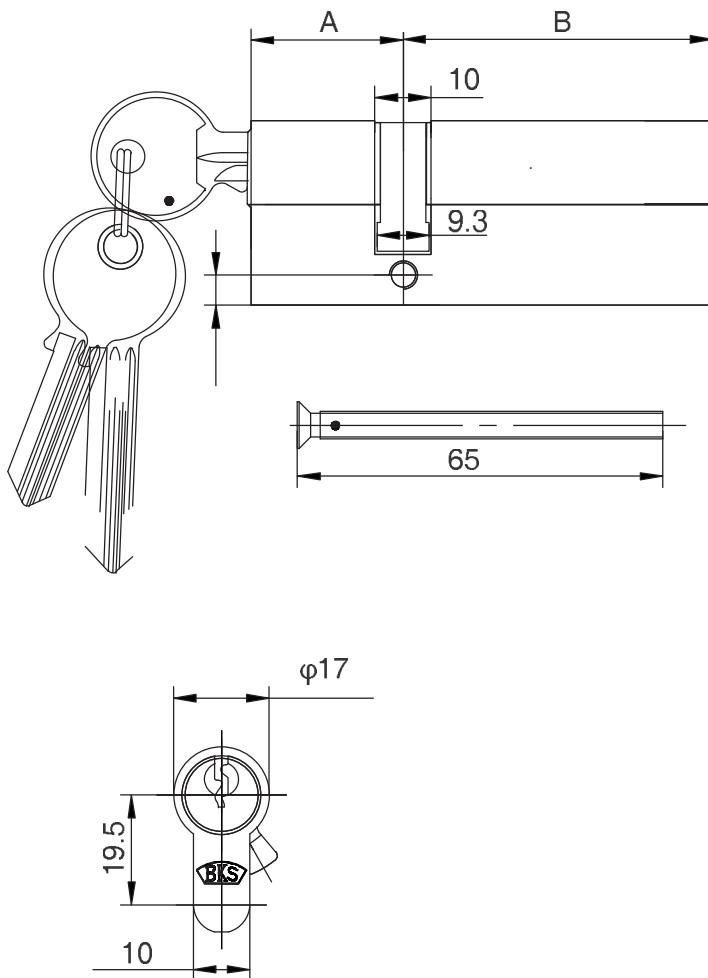
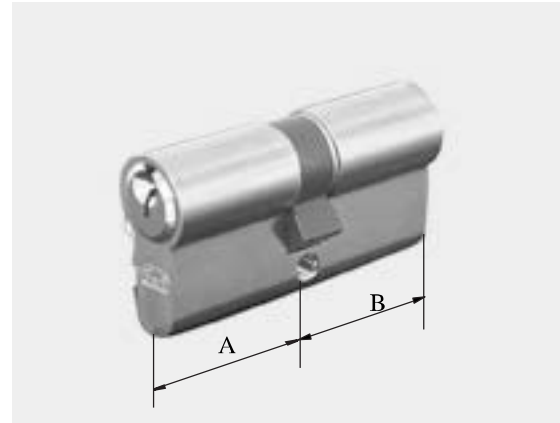
3b. Casement Door Mortize Lock



Narrow Stile -1314 Locks			
Backset [mm]	Faceplate [mm]	Follower [mm]	Order number
25	24	8	C-91314-25-0-8
30	24	8	C-91314-30-0-8
35	24	8	C-91314-35-0-8

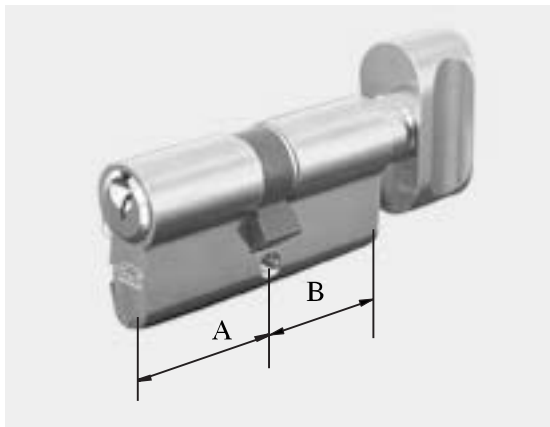
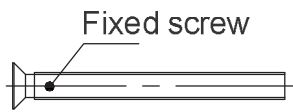
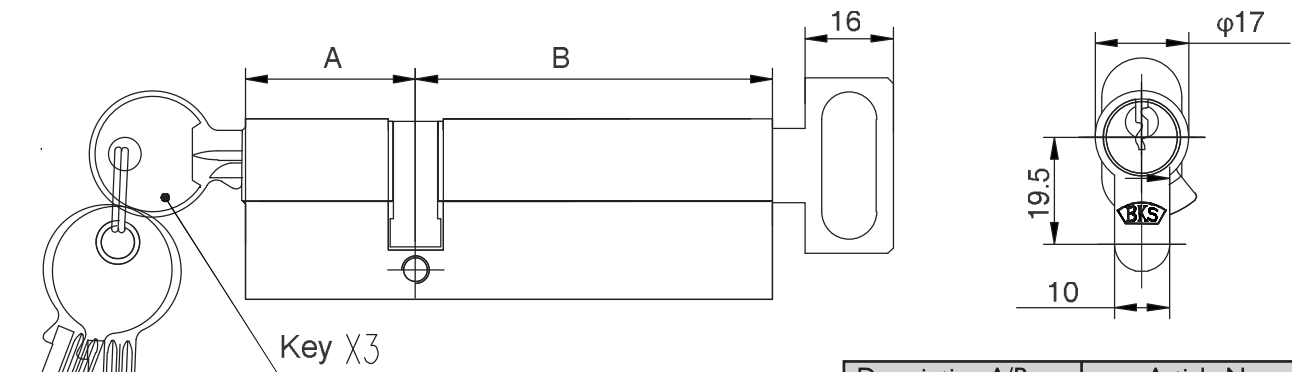
3c. Standard Lock Cylinder 59

Standard lock cylinder 59
 cover, cylinder body are made of copper,
 nickle plating surface is polished, copper core axis,
 3 copper alloy keys
 M5x65 stainless screws, mushroom block, high-strength
 copper alloy spring.
 Packing: each box has one lock core, three keys,
 one M5x65 stainless steel screw.

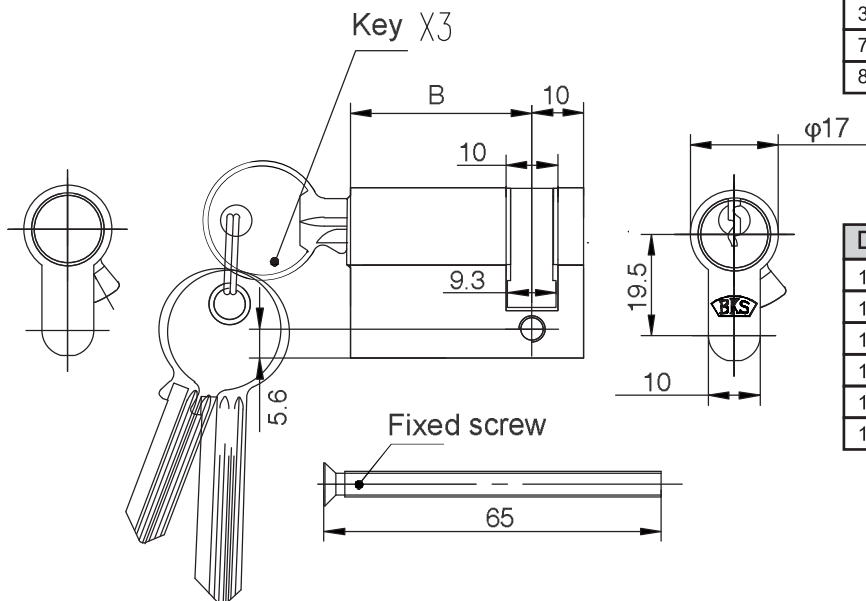


Description A/B	Article No.
27/65 Double lock cylinder	C-B2765-59-0-1H
31/55 Double lock cylinder	C-B3155-59-0-1H
31/65 Double lock cylinder	C-B3165-59-0-1H
35/65 Double lock cylinder	C-B3565-59-0-1H
35/70 Double lock cylinder	C-B3570-59-0-1H
40/60 Double lock cylinder	C-B4060-59-0-1H
31/31 Double lock cylinder	C-B3131-59-0-1H
31/35 Double lock cylinder	C-B3135-59-0-1H
31/40 Double lock cylinder	C-B3140-59-0-1H
31/45 Double lock cylinder	C-B3145-59-0-1H
31/50 Double lock cylinder	C-B3150-59-0-1H
35/35 Double lock cylinder	C-B3535-59-0-1H
35/40 Double lock cylinder	C-B3540-59-0-1H
35/45 Double lock cylinder	C-B3545-59-0-1H
35/50 Double lock cylinder	C-B3550-59-0-1H
35/55 Double lock cylinder	C-B3555-59-0-1H
40/40 Double lock cylinder	C-B4040-59-0-1H
40/45 Double lock cylinder	C-B4045-59-0-1H
40/50 Double lock cylinder	C-B4050-59-0-1H
40/55 Double lock cylinder	C-B4055-59-0-1H
45/45 Double lock cylinder	C-B4545-59-0-1H
45/50 Double lock cylinder	C-B4550-59-0-1H
45/55 Double lock cylinder	C-B4555-59-0-1H
35/65 Double lock cylinder	C-B3565-59-0-1H
31/60 Double lock cylinder	C-B3160-59-0-1H
45/60 Double lock cylinder	C-B4560-59-0-1H
50/50 Double lock cylinder	C-B5050-59-0-1H
31/70 Double lock cylinder	C-B3170-59-0-1H
31/75 Double lock cylinder	C-B3175-59-0-1H
31/80 Double lock cylinder	C-B3180-59-0-1H
35/60 Double lock cylinder	C-B3560-59-0-1H
35/75 Double lock cylinder	C-B3575-59-0-1H
35/80 Double lock cylinder	C-B3580-59-0-1H
40/65 Double lock cylinder	C-B4065-59-0-1H
40/70 Double lock cylinder	C-B4070-59-0-1H
40/75 Double lock cylinder	C-B4075-59-0-1H
45/65 Double lock cylinder	C-B4565-59-0-1H
45/70 Double lock cylinder	C-B4570-59-0-1H

3c. Standard Lock Cylinder 59



Description A/B	Article No.
27/65 Knob lock cylinder	C-B2765-59-T-1H
31/31 Knob lock cylinder	C-B3131-59-T-1H
31/65 Knob lock cylinder	C-B3165-59-T-1H
31/70 Knob lock cylinder	C-B3170-59-T-1H
35/35 Knob lock cylinder	C-B3535-59-T-1H
35/50 Knob lock cylinder	C-B3550-59-T-1H
40/40 Knob lock cylinder	C-B4040-59-T-1H
50/35 Knob lock cylinder	C-B5035-59-T-1H
50/50 Knob lock cylinder	C-B5050-59-T-1H
60/40 Knob lock cylinder	C-B6040-59-T-1H
70/31 Knob lock cylinder	C-B7031-59-T-1H
70/35 Knob lock cylinder	C-B7035-59-T-1H
31/35 Knob lock cylinder	C-B31351-59-T-1H
31/40 Knob lock cylinder	C-B3140-59-T-1H
31/45 Knob lock cylinder	C-B3145-59-T-1H
31/50 Knob lock cylinder	C-B3150-59-T-1H
31/55 Knob lock cylinder	C-B3155-59-T-1H
31/60 Knob lock cylinder	C-B3160-59-T-1H
31/75 Knob lock cylinder	C-B3175-59-T-1H
31/80 Knob lock cylinder	C-B3180-59-T-1H
35/40 Knob lock cylinder	C-B3540-59-T-1H
35/45 Knob lock cylinder	C-B3545-59-T-1H
35/55 Knob lock cylinder	C-B3555-59-T-1H
35/60 Knob lock cylinder	C-B3560-59-T-1H
35/65 Knob lock cylinder	C-B3565-59-T-1H
35/70 Knob lock cylinder	C-B3570-59-T-1H
75/40 Knob lock cylinder	C-B7540-59-T-1H
80/31 Knob lock cylinder	C-B8031-59-T-1H



Description A/B	Article No.
10/30 Half lock cylinder	C-B3110-59-T-1H
10/35 Half lock cylinder	C-B3510-59-T-1H
10/40 Half lock cylinder	C-B4010-59-T-1H
10/45 Half lock cylinder	C-B4510-59-T-1H
10/50 Half lock cylinder	C-B5010-59-T-1H
10/55 Half lock cylinder	C-B5510-59-T-1H



Product information

- Simple service-friendly one-man-installation
- 3D adjustment using only one tool, no need to unhinge or support the door leaf
- Simple installation requiring only 1 drill bit size
- Linear horizontal adjustment

Materials

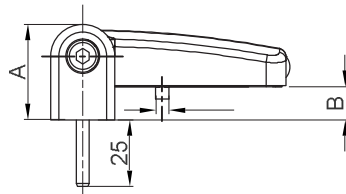
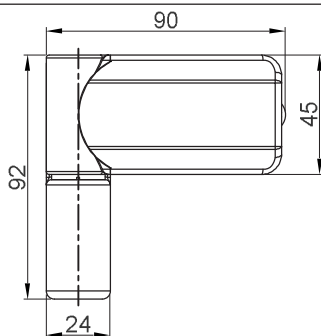
- Stainless steel pins
- Maintenance-free bearing system

Version

- DIN LH / DIN RH
- 90 mm leaf part

Overlaps

- 12.5 to 16 mm
- 16 to 19.5 mm
- 19.5 to 22
- 22 to 25.5 mm

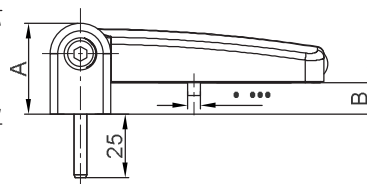
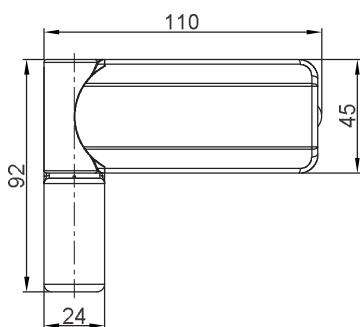


3D hinge 90, Maximum load 80kg/3

A(mm)	B(mm)	Article No.
36	12.5-16	H-01337-09-0-*
39.5	16-19.5	H-01338-09-0-*
43	19.5-23	H-01339-09-0-*

*=color:1=silver, 5=dark brown, 6=black, 7=white

Note: Other specifications, please contact the technician.



3D hinge 110, Maximum load 100kg/3

A(mm)	B(mm)	Article No.
36	12.5-16	H-01337-09-0-*
39.5	16-19.5	H-01338-09-0-*
43	19.5-23	H-01339-09-0-*

*=color:1=silver, 5=dark brown, 6=black, 7=white

Note: Other specifications, please contact the technician.




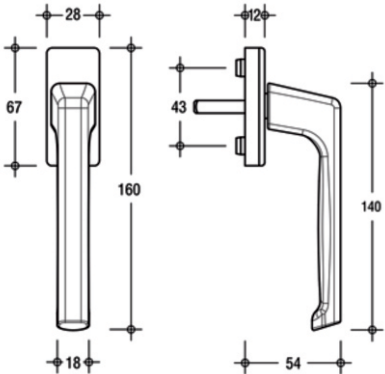

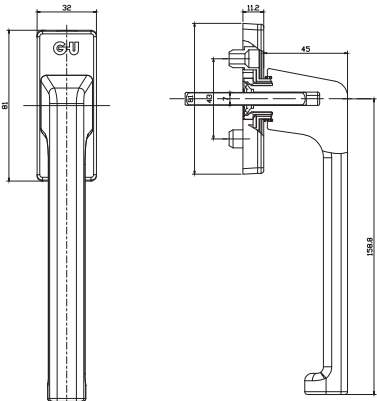

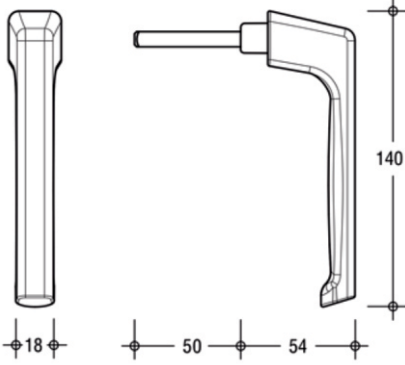

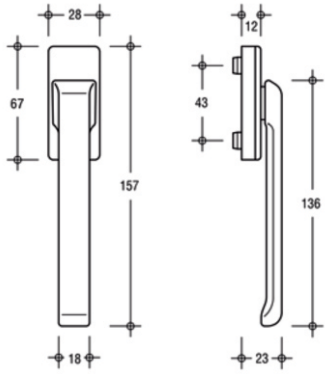
Light door hinge, applicable for sash less than 60kg

Qty.	Description	Article No.
1	Door hinge	9-37134-00-0-*


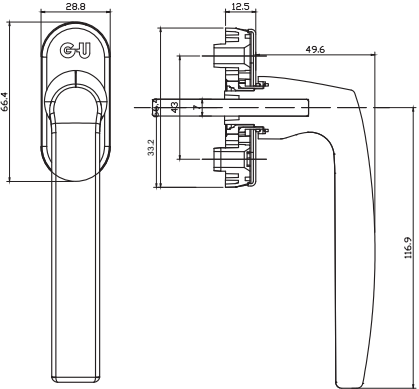

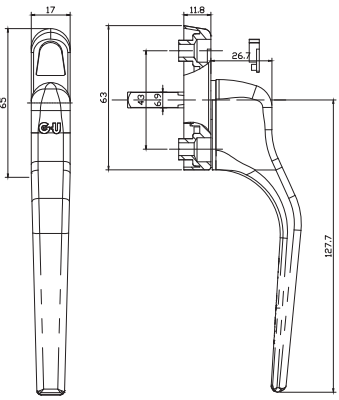

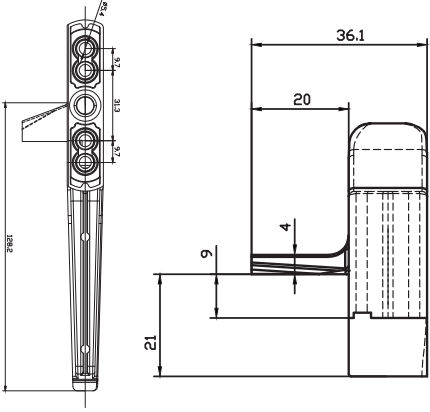
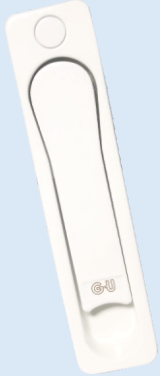
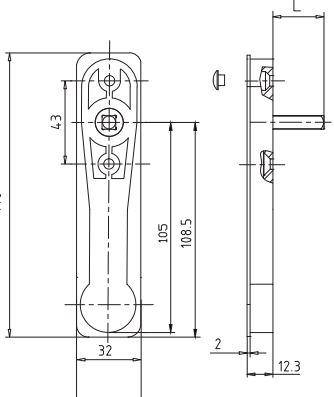
*=color:1=silver, 5=dark brown, 7=white

Applicable for:
Top-hung window hinge connected with F200
Applicable for turn-only window


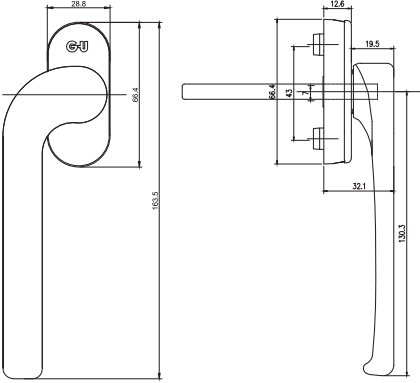

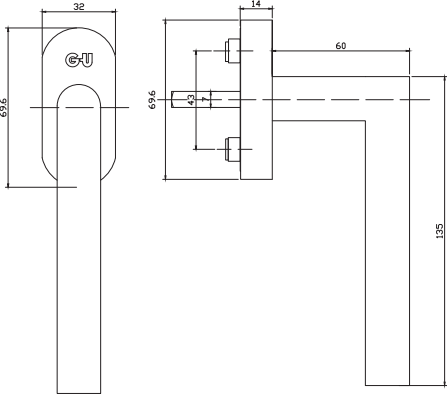

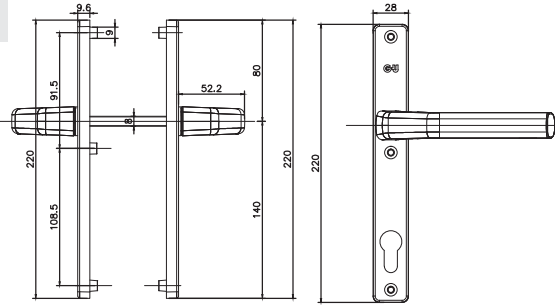

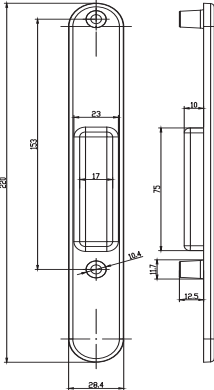
4. Door & Window Handles

	<p>C-90603-**-0-*</p> <p>Dirigent Short Handle Suitable for sliding & inward windows/doors **-L-00, 25, 29, 33, 40 Female- C-90601-00-0- Spindle- 7X7</p>	
	<p>C-90613-**-0-*</p> <p>Dirigent Long Handle Suitable for sliding & inward windows/doors **-L-00, 25, 29, 33, 40 Female- C-90611-00-0- Spindle- 7X7</p>	
	<p>C-19279-00-0-*</p> <p>Dirigent Short Handle Suitable for sliding & inward windows/doors **-L-00, 25, 29, 33, 40 Female- C-90601-00-0- Spindle- 7X7</p>	
	<p>6-28101-XX-0X</p> <p>Dirigent Shortneck handle Spindle-7X7, needs to order separately</p>	


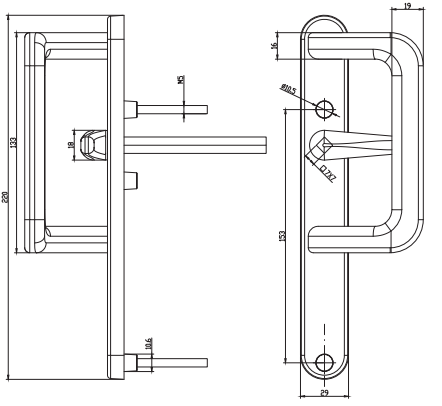

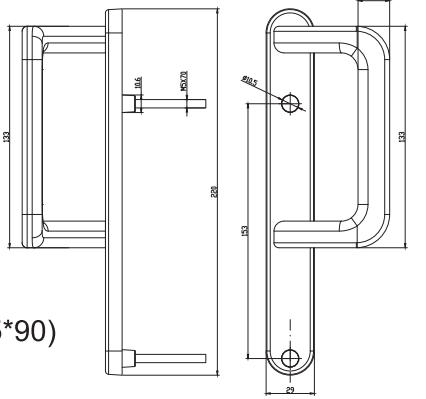

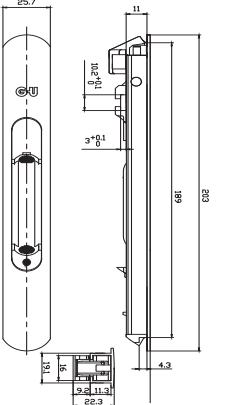
*-Colour -1=Silver, 5=Black Brown, 7=White

	<p>C-90608-XX-0-X</p> <p>Stuttgart handle XX-L- 00,25,29,33,40,45,50 Spindle-7X7</p>	
	<p>C-90607-XX-0-X</p> <p>Casement Window handle XX-L- 29,33,40,45,50 Spindle-7X7</p>	
	<p>C-90605-00-L/R-X</p> <p>Cockspur handle Spacer- C-70533-01-0-7</p>	
	<p>C-90202-XX-X</p> <p>Pop-Up handle XX-L- 24,29,33,40,45,50 Spindle-7X7</p>	

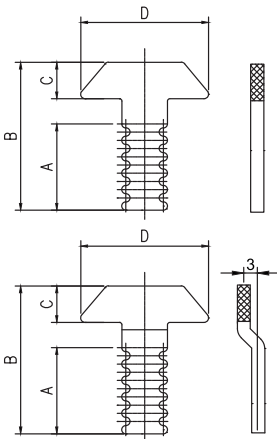
*-Colour -1=Silver, 5=Black Brown, 7=White

	<p>C-90632-XX-R/L-X</p> <p>Shortneck crank handle XX-L- 65 Spindle-7X7</p> 
	<p>C-90614-XX-0-X</p> <p>Forte Handle (SS304) XX-L- 00,25,29,33,40,45,50 Spindle-7X7</p> 
	<p>C-90623-00-0-X</p> <p>Monoblock handle With Spindle (8*8*130)& Screw (M5*90) Dummy handle- C-90623-01-0-X</p> 
	<p>C-90380-00-0-X</p> <p>Dummy handle (Female) Suitable with D handle</p> 

*-Colour -1=Silver, 5=Black Brown, 7=White

	<p>C-90377-00-0-X</p> <p>D-handle with knob With Spindle (8*8*130) & Screw (M5*90) Female- C-90378-00-0-X</p>	
	<p>C-90379-00-0-X</p> <p>D-handle without knob With Spindle (8*8*130)& Screw (M5*90)</p>	
	<p>C-90121-02-0-X</p> <p>Touch lock manual</p>	

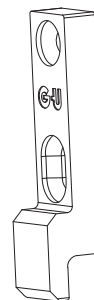
*-Colour -1=Silver, 5=Black Brown, 7=White



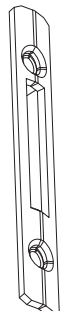
Article No.	A	B	C	D
C-70347-01-0-8	18.9	32.4	8	28
C-70347-03-0-8	29.7	44	8	28
C-70347-05-0-8	29.7	42.5	6.5	28
C-70347-07-0-8	18.9	32.4	6.5	28

Article No.	A	B	C	D
C-70347-02-0-8	18.9	32.4	8	28
C-70347-04-0-8	29.7	44	8	28
C-70347-06-0-8	29.7	42.5	6.5	28
C-70347-08-0-8	18.9	32.4	6.5	28

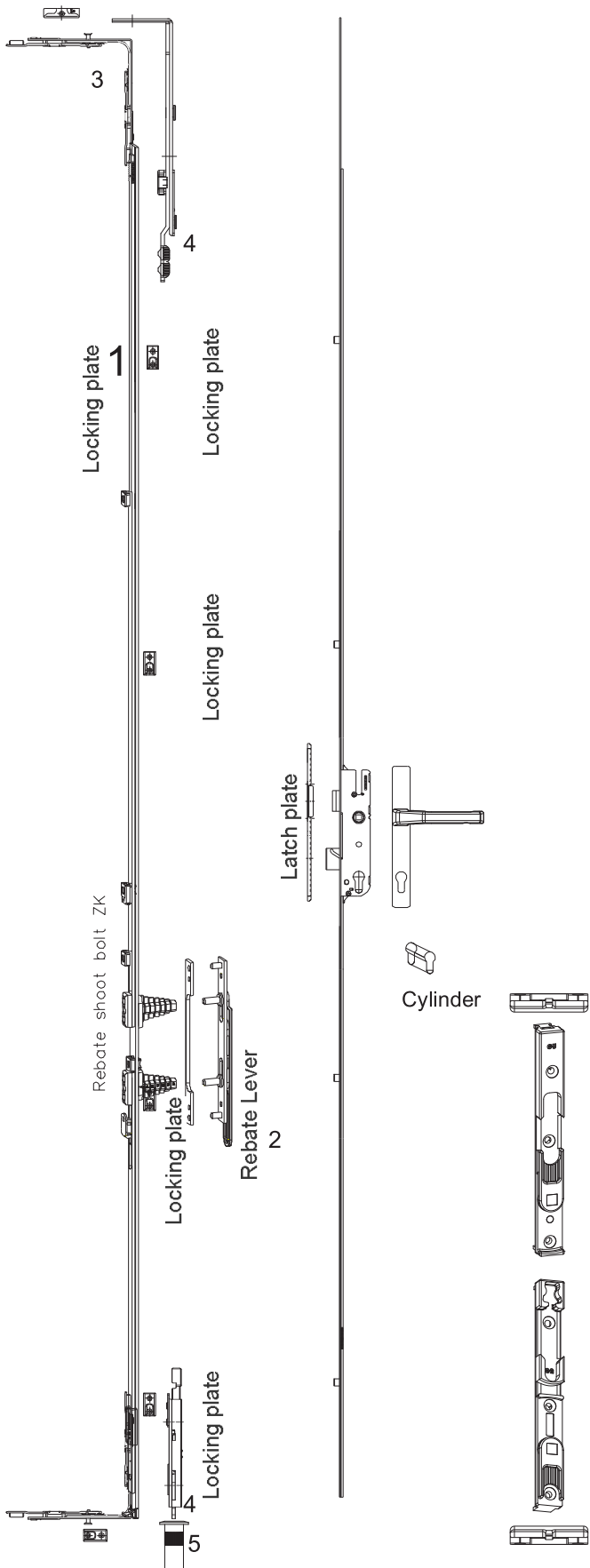
Locking Plate :
C-70494-00-0-1



Locking Plate :
C-80410-00-0-8



5. French Door & Window Hardware



1. ZK Lever-Operated Gear, Fixed			
SRH	Length	Lever Height	Product Code
2101-2350	2190	516	G-22117-00-0-1
1851-2100	1940	516	G-22116-00-0-1
1601-1850	1690	230	G-22115-00-0-1

2. ZK Lever : 6-24977-00-0-1

3. Unijet Corner Transmission STND M1 : 6-32021-00-0-1

4. Reversing Gear : 8-00680-00-0-1

5. Dustproof : C-93643-00-0-8

1. Shoot Bolt Top 6-22917-00-0-1

2. Shoot Bolt Bottom 6-22916-00-0-1

3. Striker 9-35251-10-0-1

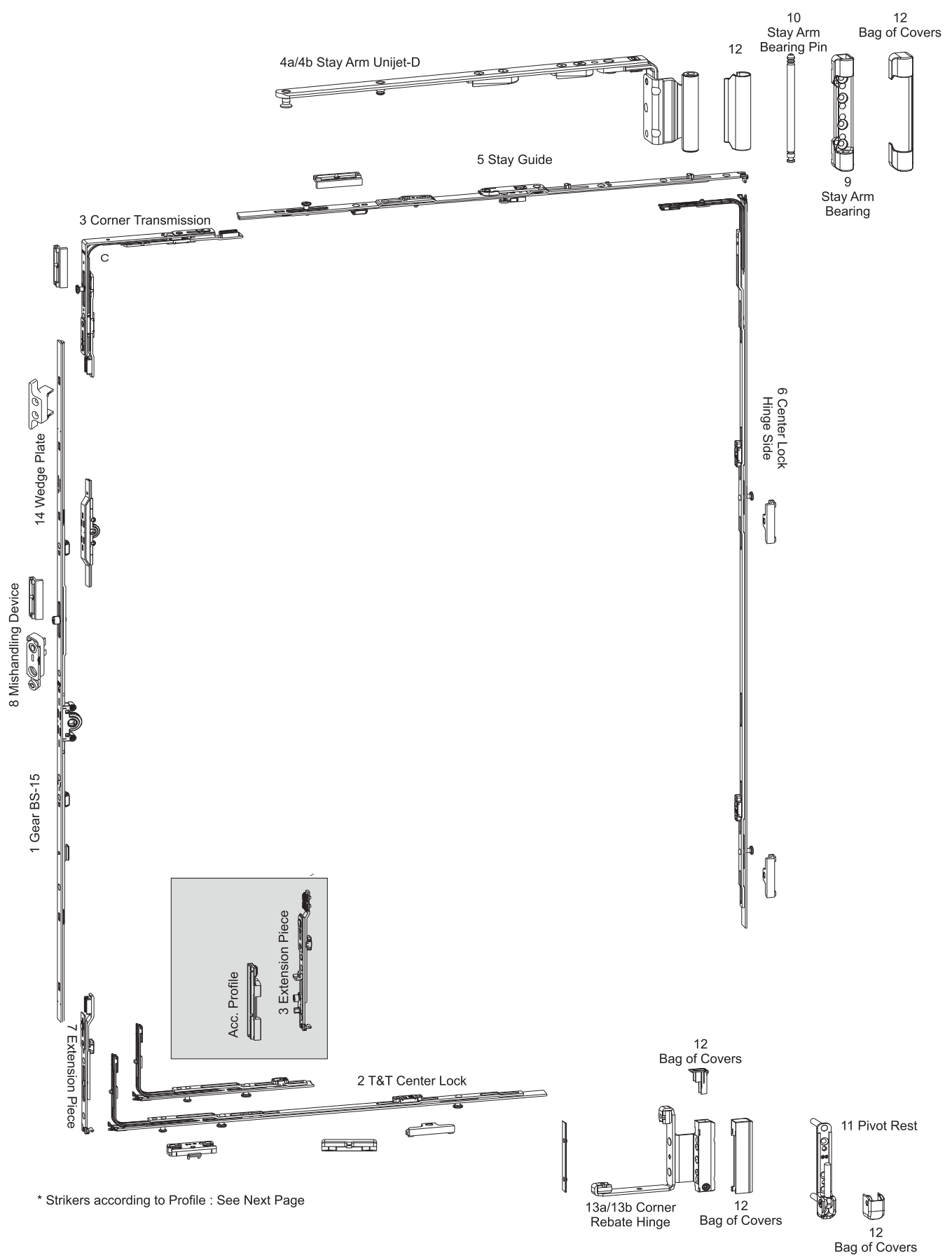
6. Tilt & Turn Hardwares



The UNI-JET Tilt&Turn hardware range



6a. Tilt & Turn Hardwares- Visible Hinges



* Strikers according to Profile : See Next Page

6b. Tilt & Turn Hardwares- Visible Hinges

1.

BS 15 – variable handle height – Sec version for RC2				
SRH	Length	G	LC-MA	Order number
480-590	270	240-295	–	G-22080-00-0-1
591-750	430	295-375	–	G-22081-00-0-1
751-1200	880	375-600	1	G-22082-00-0-1
951-1450	1130	475-725	1	G-22083-00-0-1
1201-1700	1380	600-850	2	G-22084-00-0-1
1451-1950	1630	725-975	2	G-22085-00-0-1
1951-2450	2130	975-1225	3	G-22086-00-0-1
2451-2700	2130	1225	3	G-22086-00-0-1
	250 [1]		–	8-00625-00-0-1
2701-2800	2130	1225	3	G-22086-00-0-1
	500 [1]		1	6-32142-00-0-1

5.

Stay-guide – Standard and RC2			
SRW	Length	LC-MA	Order number
280-400 [1]	350	–	6-31512-03-0-1
401-500	350	–	6-31512-03-0-1
501-750	590	–	6-31512-06-0-1
751-1000	840	1	6-31512-08-0-1
951-1200	1040	1	6-31512-10-0-1
1201-1450	1290	1	6-31512-12-0-1

6.

Centre-lock on hinge-side (for drive-gears with variable handle height)			
SRH	Length	LC-MA	Order number
721-1100	530	1	6-32075-05-0-1
1101-1350	740	1	6-32075-07-0-1
1351-1700	1190	2	6-32075-12-0-1
1701-2100	1450	2	6-32075-15-0-1
2101-2500	1890	3	6-32075-19-0-1
2501-2800 [1]	215	1	6-32011-00-0-1
	2030	4	6-32494-90-0-1

2.

T&T centre-lock			
SRW	Length	LC-MA	Order number
280-750	215	1	6-32012-00-0-1
401-750	330	2	6-32076-03-0-1
751-950	530	2	6-32076-05-0-1
951-1200	740	2	6-32076-07-0-1
1201-1600	1050	3	6-32076-10-0-1

3.

Unijet Corner Transmission			
SRW	Length	LC-MA	Order number
400-1600	160/160	1	6-32021-00-0-1
280-400	125/45	1	6-32238-00-0-1

4a.

Stay Arm UNI-JET D Axis 13mm		
SRW	LC-MA	Order number
280-500	0	6-40245-20-R/L-1
501-750	0	6-40246-20-R/L-1
751-1200	0	6-40247-20-R/L-1
1201-1600	0	6-40248-20-R/L-1

4b.

Stay Arm UNI-JET D Axis 9mm		
SRW	LC-MA	Order number
280-500	0	6-40241-20-R/L-1
501-750	0	6-40242-20-R/L-1
751-1200	0	6-40243-20-R/L-1
1201-1600	0	6-40244-20-R/L-1

7.

Extension Piece Bottom : 6-32155-03-0-1

8.

Sash Lifter With Mishandling Device : 6-29987-00-0-1

9.

Stay Bearing D6x2.5 : 6-36026-06-0-1

10.

Stay Arm Bearing Axle Pin : 9-48898-00-0-1

11.

Pivot Rest + Drilling Pin : 6-36882-22-0-1

12.

Bag of Covers, Rebate Hinge, Unijet -D : K-18678-00-R/L-*

13a.

Corner Rebate Hinge, UNI-JET D, Axis 13mm : 6-37456-20-R/L-1

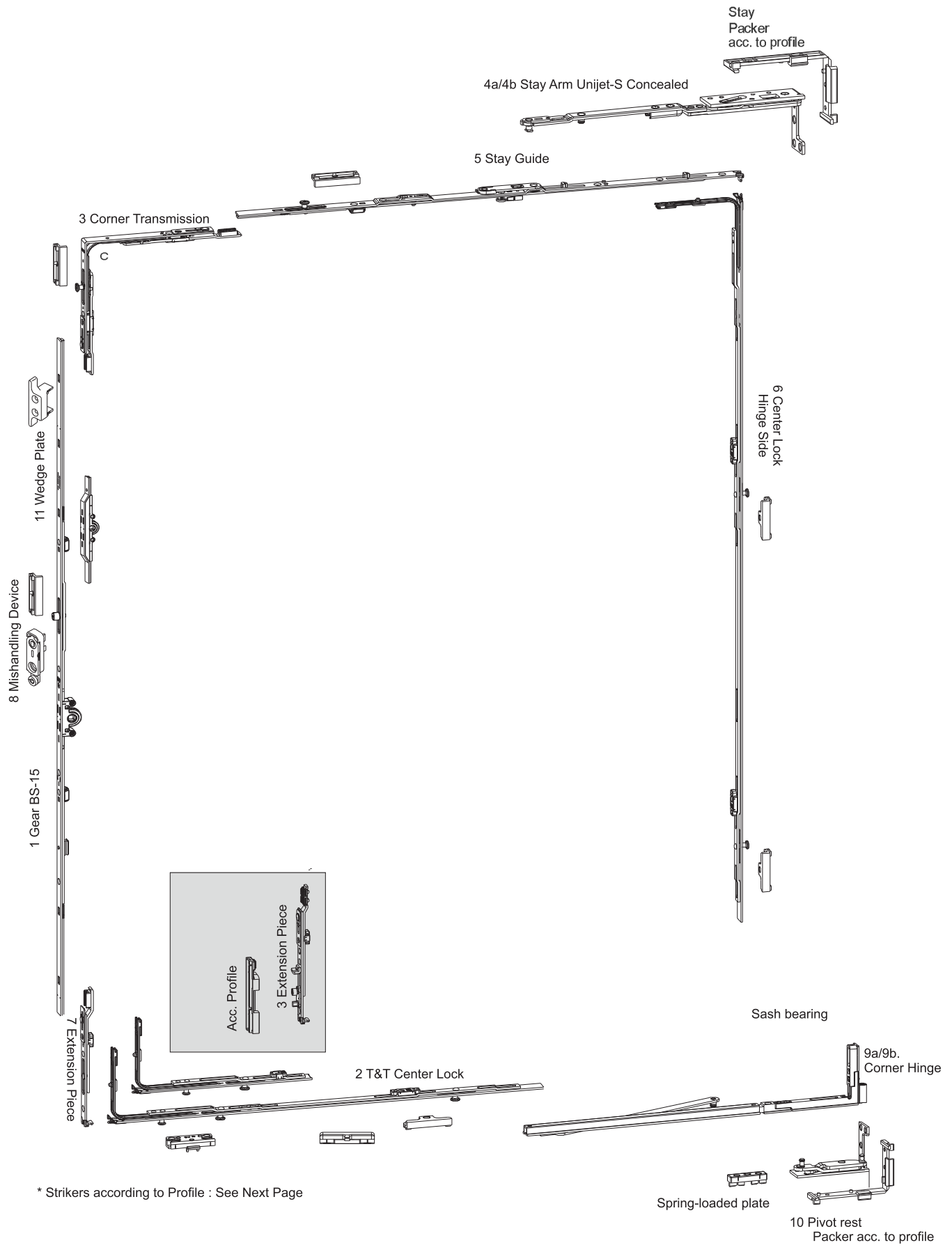
13b.

Corner Rebate Hinge, UNI-JET D, Axis 9mm : 6-37455-20-R/L-1

14.

Wedge Plate : Acc. Profile: See Page No.38

6c. Tilt & Turn Hardware - Concealed Hinges



* Strikers according to Profile : See Next Page

1.

BS 15 – variable handle height – Sec version for RC2				
SRH	Length	G	LC-MA	Order number
480-590	270	240-295	–	G-22080-00-0-1
591-750	430	295-375	–	G-22081-00-0-1
751-1200	880	375-600	1	G-22082-00-0-1
951-1450	1130	475-725	1	G-22083-00-0-1
1201-1700	1380	600-850	2	G-22084-00-0-1
1451-1950	1630	725-975	2	G-22085-00-0-1
1951-2450	2130	975-1225	3	G-22086-00-0-1
2451-2700	2130	1225	3	G-22086-00-0-1
	250 [1]		–	8-00625-00-0-1
2701-2800	2130	1225	3	G-22086-00-0-1
	500 [1]		1	6-32142-00-0-1

2.

T&T centre-lock			
SRW	Length	LC-MA	Order number
280-750	215	1	6-32012-00-0-1
401-750	330	2	6-32076-03-0-1
751-950	530	2	6-32076-05-0-1
951-1200	740	2	6-32076-07-0-1
1201-1600	1050	3	6-32076-10-0-1

3.

Unijet Corner Transmission			
SRW	Length	LC-MA	Order number
400-1600	160/160	1	6-32021-00-0-1
280-400	125/45	1	6-32238-00-0-1

4a.

Tilt&Turn stay-arm, AX 9 mm		
SRW	Length	Order number
390-750	320	6-37012-31-L/R-1
751-1400	450	6-37012-46-L/R-1

4b.

Tilt&Turn stay-arm, AX 13 mm		
SRW	Length	Order number
390-750	320	6-37013-31-L/R-1
751-1400	450	6-37013-46-L/R-1

5.

SCF/CC stay-guide – Standard and RC2			
SRW	Length	LC-MA	Order number
390-419	590	–	6-39074-06-0-1
420-500	590	–	6-39074-06-0-1
501-750	590	–	6-39074-06-0-1
751-1000	840	1	6-39074-08-0-1
951-1400	1040	1	6-39074-10-0-1

6.

Centre-lock on hinge-side (for drive-gears with variable handle height)			
SRH	Length	LC-MA	Order number
721-1100	530	1	6-32075-05-0-1
1101-1350	740	1	6-32075-07-0-1
1351-1700	1190	2	6-32075-12-0-1
1701-2100	1450	2	6-32075-15-0-1
2101-2500	1890	3	6-32075-19-0-1
2501-2800 [1]	215	1	6-32011-00-0-1
	2030	4	6-32494-90-0-1

7.

Extension Piece Bottom : 6-32155-03-0-1

8.

Sash Lifter With Mishandling Device : 6-29987-00-0-1

9a.

Corner- Hinges, Ax9mm (Sash Width 390-1400) : 6-34096-09-L/R-1

9b.

Corner- Hinges, Ax13mm (Sash Width 390-1400) : 6-34096-13-L/R-1

10.

Pivot Rest (Sash Width 390-1400): 6-35871-00-L/R-1

11.

Wedge Plate : Acc. Profile: See Page No.38

7. G-U 934 Lift &

BASICS

EXTENDED

- Moving large elements with unparalleled ease **Lift&Slide bogie**
- Extremely resilient and durable **Lift&Slide gear**
- Securely locked with RC 2/ RC 3 tested burglar inhibition **Stainless steel frame cam**
- Maximum tightness - simply install and done **90° corner gasket**

- Also freestanding locked and tight **L&S locking system for pattern G1, symmetrical**
- Universal solution for added convenience **Barrier-free threshold**
- Made to measure for on-the-spot installation **Pre-assembled GU-thermostep threshold**
- One-stop professional sealing **Structural connection for GU-thermostep thresholds**

COMFORT

MAXIMISED

ACCESS COMFORT

- Makes light work of lifting heavy sashes **HS LiftUnit**
- Universal threshold solution for added convenience **Barrier-free threshold**
- Elegant, comfortable and barrier-free **HS ePOWER motor-driven drive**
- Added comfort and easy to retrofit **HS Master motor-driven drive**

EASY OPERATION

- For rebound-free, controlled lowering of the sash **Handle damper**
- Reduces the operating force on the turn handle **Tension spring in Lift&Slide gear**
- Tight controlled closing, also for light window sashes **Lowering safeguard**
- Barrier-free in handle area **RONDO 400 mm extended handle**
- Moving large elements with the greatest of ease **Lift&Slide bogie**



BURGLARY

PROTECTED

- Open or locked, recognisable at a glance **Electronic locking monitoring with magnetic switch, VdS-tested**
- Anti-jimmy device, with secure grip **L&S meeting-stile security profile**
- A firm handle on security **DIRIGENT PZ ZA SK3 Lift&Slide turn handle**
- Anti-jimmy protection for sashes **Anti-jimmy device top horizontal**
- Open but still securely locked **Night ventilation for Lift&Slide doors**



OPERATION

SECURED

- Gentle braking operation **HS SilentClose**
- Reliable stopping before end position **HS StopUnit**
- A speed limit that makes sense **HS SpeedLimiter**
- For rebound-free lowering of the sash **Handle damper**
- Buffered stop without damage **Buffer S**

Slide Hardwares



VENTILATION OPTIMISED

Open but still securely locked

Night ventilation for Lift&Slide doors

Effective and secure Lift&Slide night ventilation

Night ventilation frame cam and bottom keeper



DESIGN HONED TO PERFECTION

Maximum glazing to maximise sense of space
Lift&Slide element with panoramic glazing

Moving as if by magic

Concealed top guide track

Comfortable operation and appealing design

Turn handles

Versatile and multi-faceted

Patterns A-L for systems up to 20 metres wide

Corner elegance

Lift&Slide element for 90° corner

Elegant, comfortable and barrier-free
HS ePOWER motor-driven drive



SERVICE INCREASED

The basis for successful construction projects

Planning support

Comprehensive and technically up-to-date Tender-Text-Manager

The right products in the right quantity

configURator

Provision of hardware data

Hardware data service

For straightforward planning

Free download

Information at the click of a mouse

Customer Information System

Maximum security as standard

Licenses and CE

First-hand practical knowledge

Seminars and training course

Fewer costs and legal peace of mind

In-house test centre

On-site service

Technical field staff

All you need for perfect planning

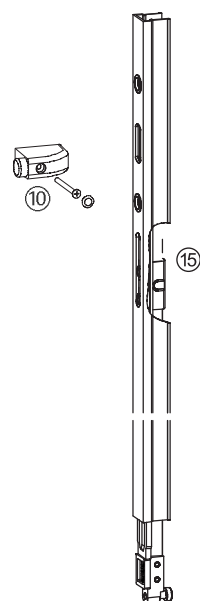
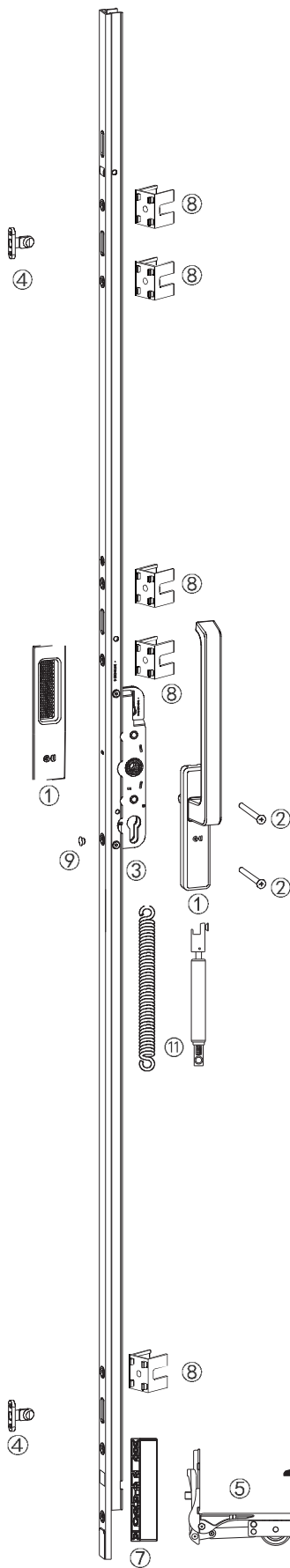
Hotline for architects

Service and maintenance

GU Automatic GmbH

7a. GU-934 Lift & Sliding Hardwares

One -sash lift-sliding hardware up to 600kg



Hardware configuration

No.	Description	Article No.	Qty
①	Handle set[1]- Max. sash thickness 80mm	C-13785-00-0-*	1
②	Countersunk screw for handle [2]	C-70002-**-0-8	2
③	Lifting gear F37.5[1] Sash height 840-2740mm See specification in next page	6-30021-**-0-1	1
④	Locking cam See specification in next page	6-22648-**-0-8	2
⑤	GU-934 bogies	K-16488-00-0-1	1
⑥	Connecting road Ø 8, Length 1100mm	9-25476-11-0-1	
	Optional Length 1350mm	9-25476-14-0-1	1
	Optional Length 1850mm	9-25476-18-0-1	
	Optional Length 3300mm	9-25476-33-0-1	
⑦	Connecting packer of front bogie and gear See specification in next page	9-47295-**-0-1	1
⑧	Gear packer See specification in next page	9-47296-**-0-1	5
⑨	Locking cam hole cover [3]	9-26687-00-0-*	1
⑩	Buffer [4]	K-12024-00-0-*	1/2 Alternatively
⑪	Handle tension spring for sash weight >200kg	9-40235-05-0-0	1 Alternatively
⑫	Middle bogie for sash weight 300-400kg	6-30016-01-0-1	2 Alternatively
⑬	HS Lift unit sash weight 400-600kg	K-19877-00-0-1	1 Alternatively
⑭	Bag of clip on roller	K-17455-03-0-1	1
⑮	Gear Extension 500mm	6-32030-00-0-1	1 Alternatively

Application:

Sash width : 720-3300mm

Sash height : 880-3250mm

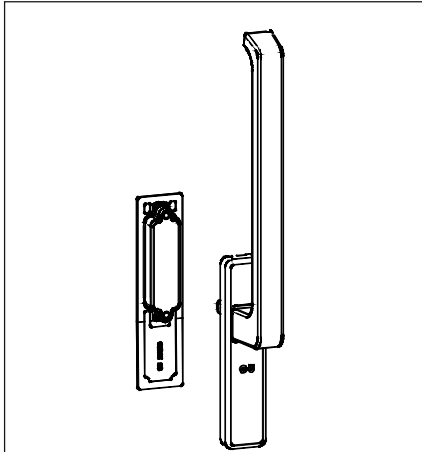
Max. sash weight : 600kg

[1] *= Color : 1= silver, 5= dark brown, 7= white

[2] **= Screw length 60mm, 70mm, 80mm, 90mm, 100mm

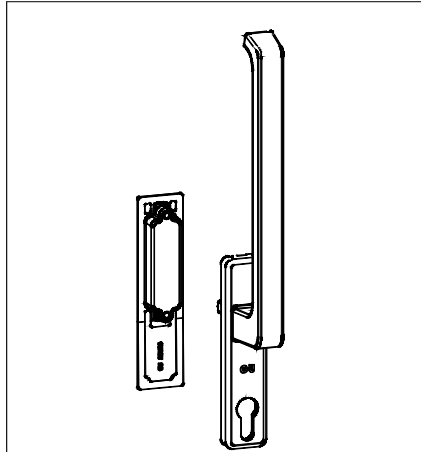
[3] *= Color : 1= silver, 6= black

[4] *= Color : 6= black, 7= white

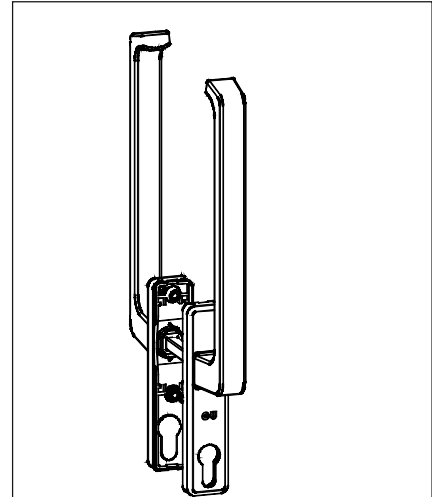


C-13785-00-0*
 1 DIRIGENT Handle without cylinder hole (inside)
 1 Flush pull (outside)
 Handle length 240mm
 Spindle 10mmx10mm, length 80mm

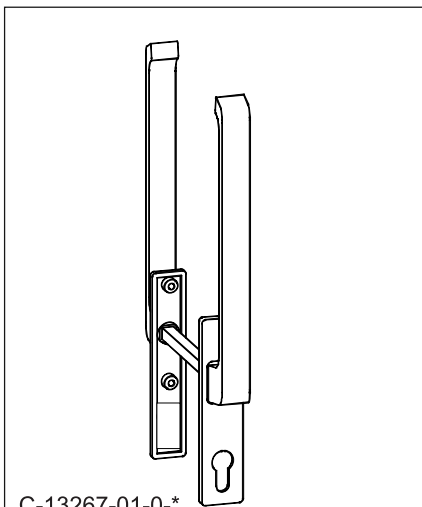
*=color: 1=silver, 5L=brown, 6=black, 7=white



C-13266-00-0*
 1 DIRIGENT Handle with cylinder hole (inside)
 1 Flush pull (outside)
 Handle length 240mm
 Spindle 10mmx10mm, length 80mm



C-13267-00-0*
 1 DIRIGENT Handle with cylinder hole (inside)
 Handle length 240mm
 Spindle 10mmx10mm, length 80mm



C-13267-01-0*
 1 DIRIGENT Handle with cylinder hole (inside)
 1 DIRIGENT Handle without cylinder hole (outside)
 Handle length 240mm
 Spindle 10mmx10mm, length 145mm

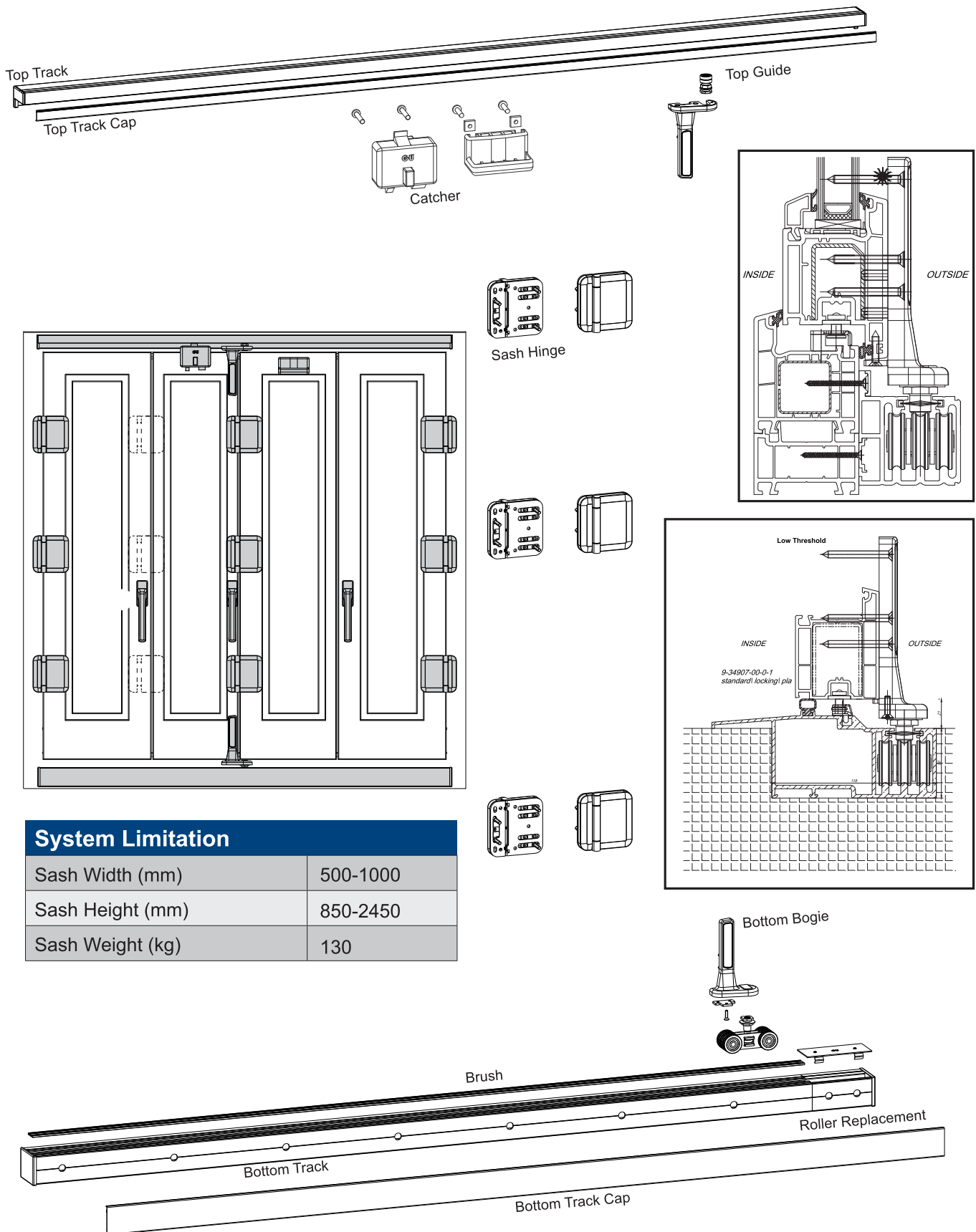
GU-934 lift-locking gear		
Length G	Sash height	Article No.
1190 ~ 410	750-1295	6-30021-11-0-1
1770 ~ 410	1165-1795	6-30021-19-0-1
2270 ~ 1010	1795-2295	6-30021-24-0-1
2670 ~ 1010	2045-2645	6-30021-28-0-1

Dimension of locking cam clearance E		
	Dimension (mm)	Article No.
	5.5	6-22648-01-0-8
	6.5	6-22648-02-0-8
	8.5	6-22648-03-0-8
	9.5	6-22648-04-0-8
	11.0	6-22648-05-0-8
	13.0	6-22648-06-0-8

Dimension of locking cam clearance E		
	Dimension (mm)	Article No.
	18	9-47296-07-0-1
	21	9-47296-10-0-1
	22	9-47296-11-0-1
	23	9-47296-12-0-1
	24.5	9-47296-13-0-1
	27	9-47296-16-0-1

Dimension of locking cam clearance E		
	Dimension (mm)	Article No.
	18	9-47295-06-0-1
	21	9-47295-09-0-1
	22	9-47295-10-0-1
	23	9-47295-11-0-1
	24.5	9-47295-12-0-1
	27	9-47295-13-0-1

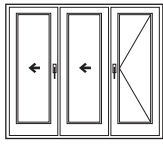
8. GU-923 Fold & Slide Hardwares



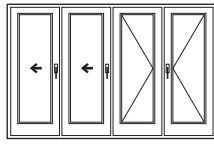
System Limitation

Sash Width (mm)	500-1000
Sash Height (mm)	850-2450
Sash Weight (kg)	130

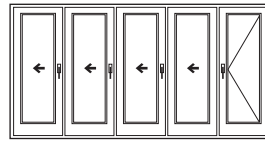
8a. GU-923 Fold & Slide Patterns



Pattern 321 [1]
2 Fold&Slide sashes
1 Turn-Only sash



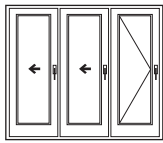
Pattern 431 [1]
2 Fold&Slide sashes
1 Turn-Only dummy mullion sash,
1 Turn-Only sash



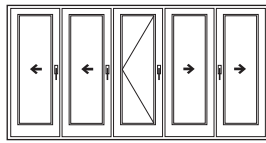
Pattern 541 [1]
4 Fold&Slide sashes
1 Turn-Only sash

[1] Passage leaf also as
Tilt&Turn sash
– with sash hinges and
UNI-JET Turn-Only
locking system
– with UNI-JET Turn-Only
hardware

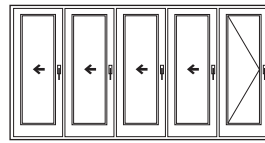
[2] A passage leaf is
recommended, especially
for use in winter



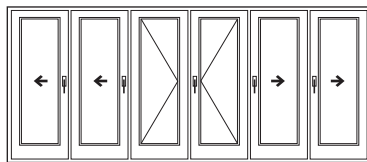
Pattern 330
2 Fold&Slide sashes
1 Turn-Only sash



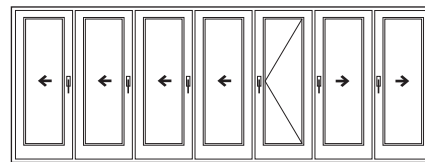
Pattern 532
4 Fold&Slide sashes
1 Turn-Only sash



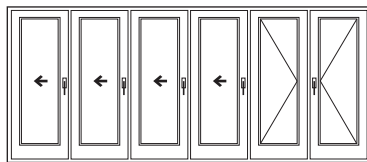
Pattern 550
4 Fold&Slide sashes
1 Turn-Only sash



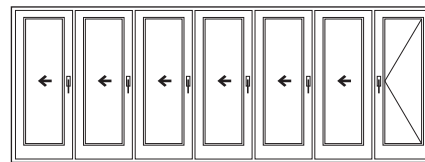
Pattern 633
4 Fold&Slide sashes
1 Turn-Only dummy mullion sash,
1 Turn-Only sash



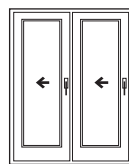
Pattern 743
6 Fold&Slide sashes
1 Turn-Only sash



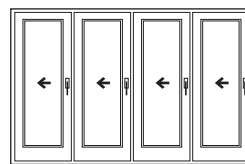
Pattern 651 [1]
4 Fold&Slide sashes
1 Turn-Only dummy mullion sash,
1 Turn-Only sash



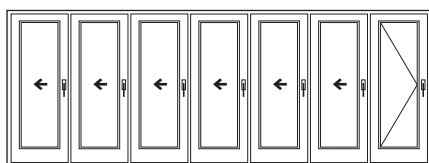
Pattern 761 [1]
6 Fold&Slide sashes
1 Turn-Only sash



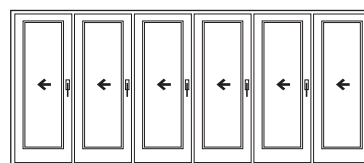
Pattern 220[2]
2 Fold&Slide sashes



Pattern 440[2]
4 Fold&Slide sashes



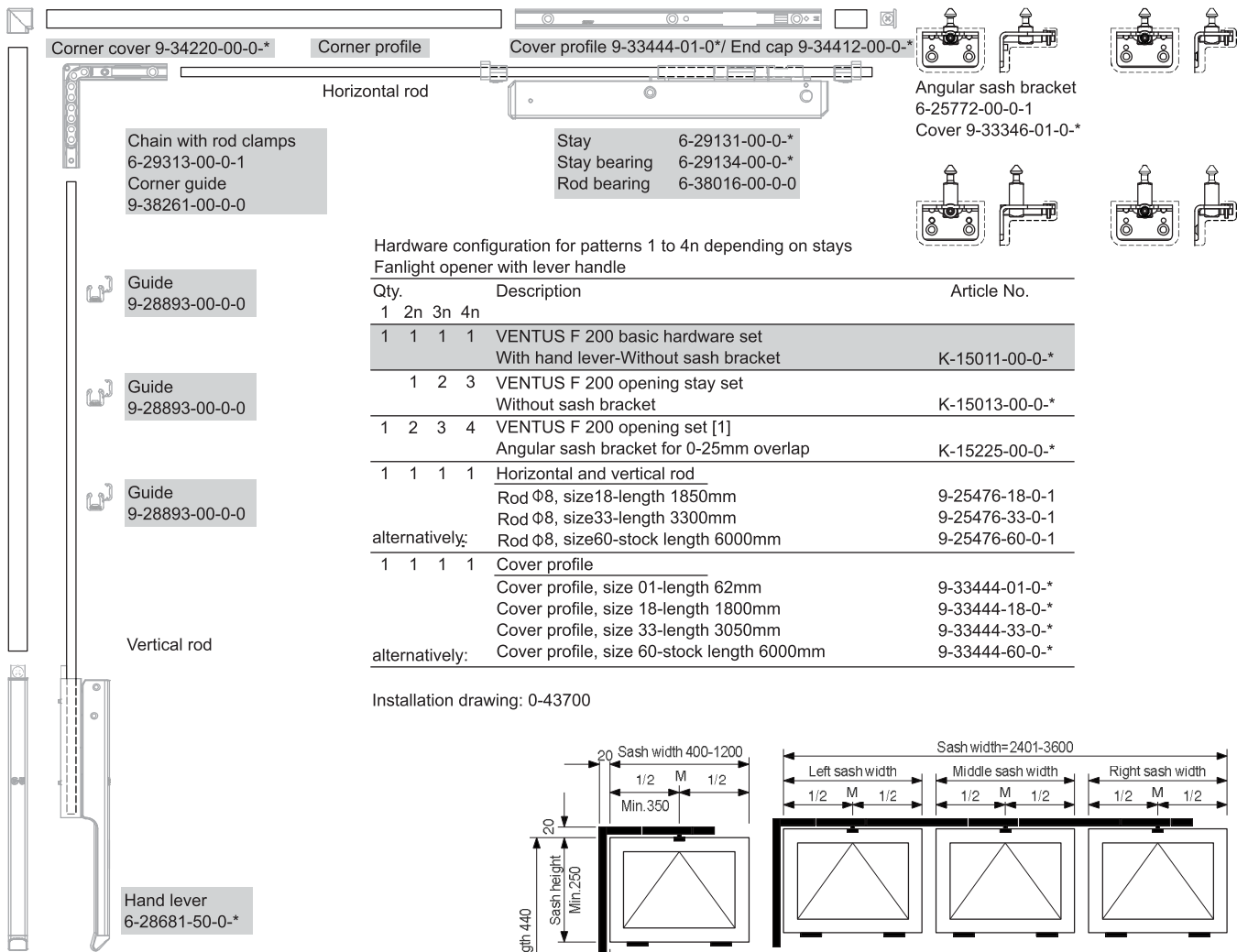
Pattern 770
6 Fold&Slide sashes
1 Turn-Only sash



Pattern 660[2]
6 Fold&Slide sashes

9. VENTUS F200 Fanlight Opener

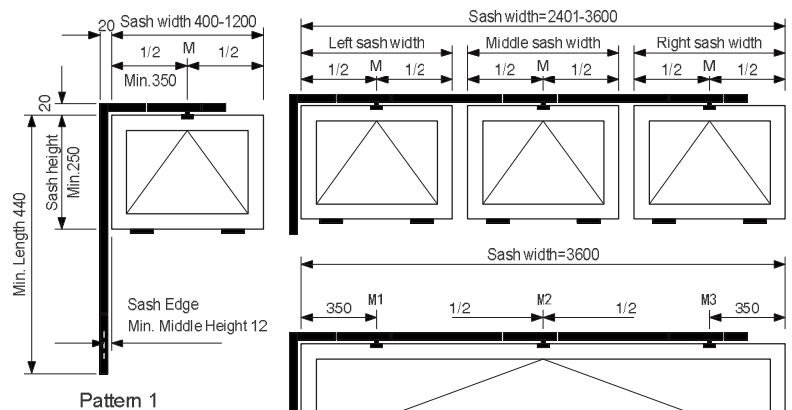
Bottom-hung fanlight standard version-with hand lever



Hardware configuration for patterns 1 to 4n depending on stays
Fanlight opener with lever handle

Qty.	1	2n	3n	4n	Description	Article No.
	1	1	1	1	VENTUS F 200 basic hardware set With hand lever-Without sash bracket	K-15011-00-0-*
		1	2	3	VENTUS F 200 opening stay set Without sash bracket	K-15013-00-0-*
	1	2	3	4	VENTUS F 200 opening set [1] Angular sash bracket for 0-25mm overlap	K-15225-00-0-*
	1	1	1	1	Horizontal and vertical rod Rod $\Phi 8$, size18-length 1850mm Rod $\Phi 8$, size33-length 3300mm Rod $\Phi 8$, size60-stock length 6000mm	9-25476-18-0-1 9-25476-33-0-1 9-25476-60-0-1
alternatively:	1	1	1	1	Cover profile Cover profile, size 01-length 62mm Cover profile, size 18-length 1800mm Cover profile, size 33-length 3050mm Cover profile, size 60-stock length 6000mm	9-33444-01-0-0- 9-33444-18-0-0- 9-33444-33-0-0- 9-33444-60-0-0-*

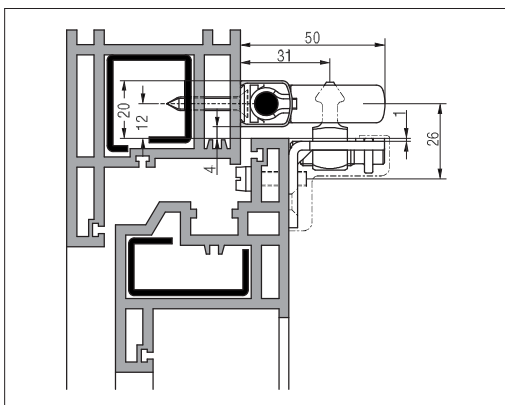
Installation drawing: 0-43700



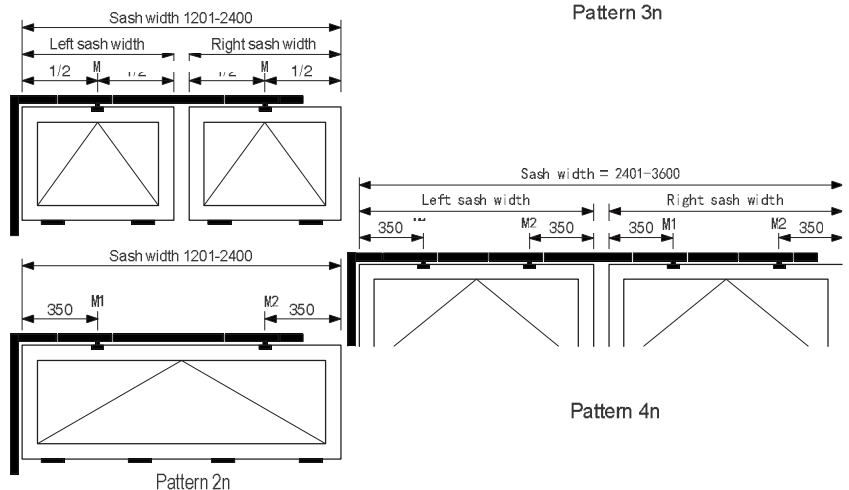
Pattern 1

Pattern 3n

Installation size Side-hung



PVC VENTUS F 200 fanlight opener

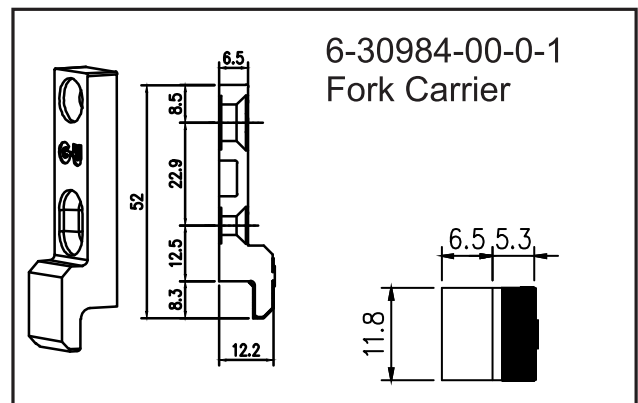
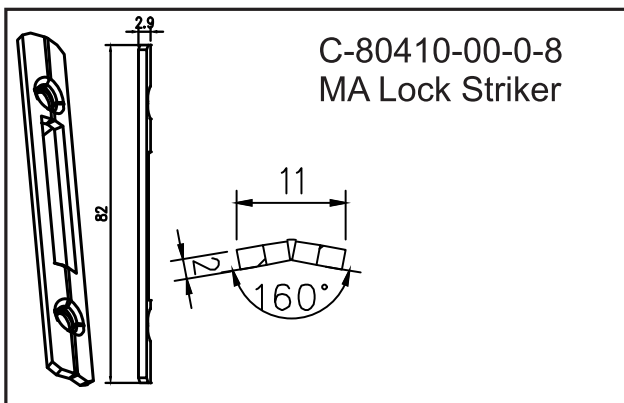
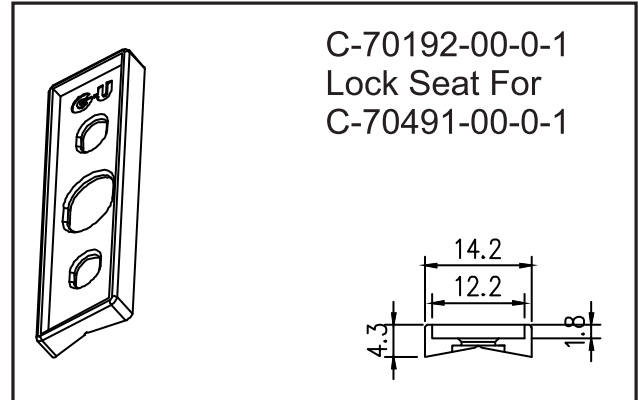
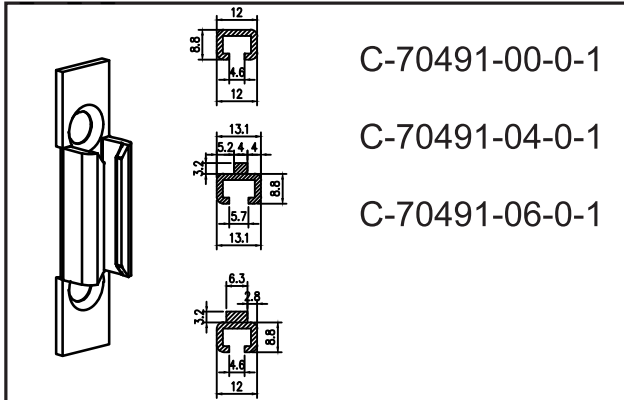
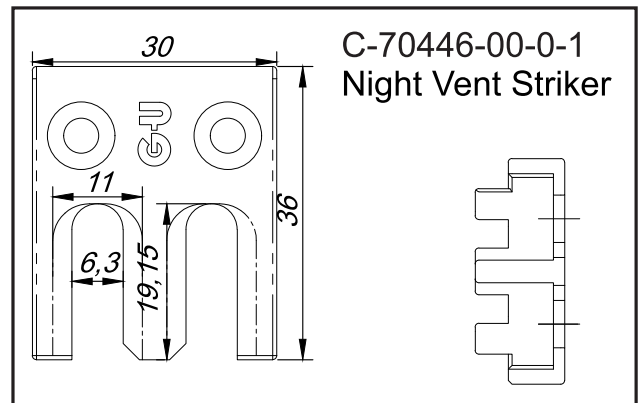
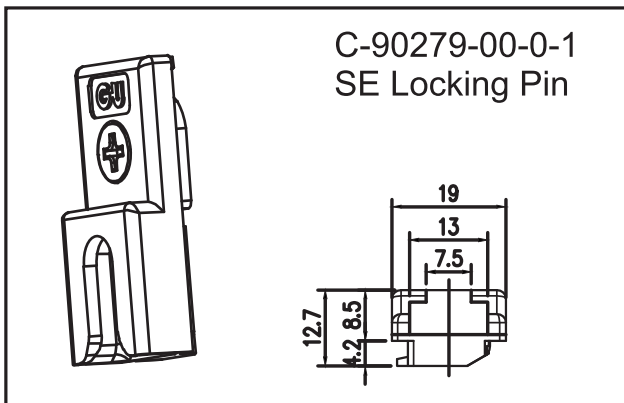
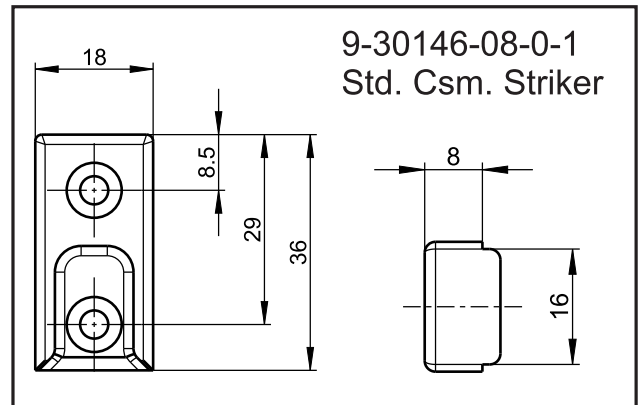
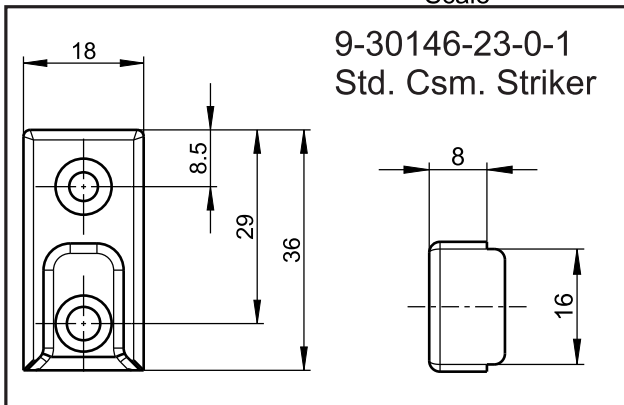


Pattern 2n

Pattern 4n

10. Door & Window Strikers

Scale

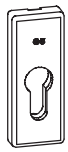


10a. Strikers For Various Profiles

PROFILE	SE Bottom Tilt striker	Side Tilt Striker	Wedge Plate	Standard CS Striker	Night vent striker	Dummy Mullion striker
ALUPLAST	6-27831-05-0-1	9-37866-00-R/L-1	9-40472-00-0-1	9-30146-23-0-1	C-70446-00-0-1	9-30146-23-0-1
DECEUNINCK	6-27831-56-0-1	9-37866-00-R/L-1	9-40463-00-0-1	9-30146-08-0-1	C-70446-00-0-1	9-30146-23-0-1
SALAMANDER	6-27831-05-0-1	9-37866-00-R/L-1	9-40463-00-0-1	9-30146-08-0-1	C-70446-00-0-1	9-30146-23-0-1
KOMMERLING	6-27831-56-0-1	9-37866-00-R/L-1	9-40488-00-0-1	9-30146-08-0-1	C-70446-00-0-1	9-30146-08-0-1
ENCRAFT	6-27831-62-0-1	9-37866-00-R/L-1	9-40463-00-0-1	9-30146-08-0-1	C-70446-00-0-1	9-30146-23-0-1
VEKA	6-27674-46-0-1	C-70451-00-L/R-1	C-70530-00-0-1	9-30146-08-0-1	C-70446-00-0-1	9-30146-23-0-1
GEALAN	6-27674-46-0-1	C-70451-00-L/R-1	C-70530-00-0-1	9-30146-08-0-1	C-70446-00-0-1	9-30146-23-0-1
SUDHAKAR	6-32207-18-0-1	9-37866-00-R/L-1	9-40472-00-0-1	9-30146-23-0-1	C-70446-00-0-1	8-00873-00-0-1
PROMINANCE	6-27674-46-0-1	C-70451-00-L/R-1	C-70530-00-0-1	9-30146-08-0-1	C-70446-00-0-1	9-30146-23-0-1

PROFILE	R4 Door Striker	R4 Center striker	Sliding striker	S&F Striker	Lowthreshold Striker
ALUPLAST	9-34907-00-0-1	6-37675-2T-L/R-1	C-70491-00-0-1	6-27831-05-0-1	9-34907-00-0-1
DECEUNINCK	9-35508-00-0-1	6-31661-34-L/R-1	C-70491-00-0-1	6-27831-56-0-1	9-34907-00-0-1
SALAMANDER	9-42972-00-0-1	6-31661-34-L/R-1	C-70491-00-0-1	6-27831-05-0-1	9-34907-00-0-1
KOMMERLING	9-35508-00-0-1	6-31661-34-L/R-1	C-70491-00-0-1	6-27831-01-0-1	9-34907-00-0-1
ENCRAFT	9-34907-00-0-1	6-37675-2T-L/R-1	C-70491-00-0-1	6-27831-62-0-1	C-70435-00-0-1
VEKA	C-70435-00-0-1	6-28898-87-L/R-1	C-70491-00-0-1	6-27674-46-0-1	C-70435-00-0-1
GEALAN	C-70435-00-0-1	6-28898-87-L/R-1	C-70491-00-0-1	6-27674-46-0-1	C-70435-00-0-1
SUDHAKAR	9-34907-00-0-1	6-29153-00-L/R-1	C-70491-00-0-1	6-32207-18-0-1	9-34907-00-0-1
PROMINANCE	9-34907-00-0-1	6-37675-2T-L/R-1	C-70491-00-0-1	6-27831-56-0-1	C-70435-00-0-1

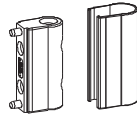
11. Door & Window Accessories



Square cylinder cover (inside / outside)
C-90704-04-0-*



Oval cylinder cover (inside / outside)
C-90704-05-0-*



Drill-in-centre closure
C-70292-01-0-1
Centre closure cover
C-70293-01-0-*



Linkage latch
9-40149-00-0-1



Concealed centre closure on sash (pvc) 16mm axis
9-40564-00-0-1



Concealed centre closure on frame (pvc)
EURO axis 18x8: 9-40872-00-0-1
EURO axis 24x8: 9-41850-00-0-1
EURO axis 20x8: 9-40872-20-0-1
EURO axis 7/8x4: 9-40873-00-0-1
Koemmerling 3C 9-40565-00-0-1
Koemmerling Gold Asea 9-40565-06-0-1
VEKA AD58 9-40871-04-0-1
VEKA AD70 9-40866-00-0-1
REHAU S921 9-40565-06-0-1



Mandrel
C-70428-**-0-1
**=01 102mm
**=02 104mm
**=03 135mm
**=04 114mm



M5 Countersunk screws
C-70001-**-0-8
**=30, 35, 40, 45, 50, 60, 70, 75, 80, 85, 95, 100



M6 Countersunk screws
C-70002-**-0-8
**=10, 60, 70, 80, 90



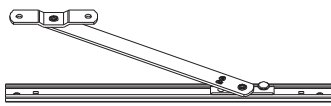
Rosette screw
C-80000-**-0-
**=00 75mm
**=10 100mm



Mishandling device
6-29987-00-0-1
Koemmerli 3S
9-40451-00-0-1
VEKA Softline AD
C-705030-00-0-1
REHAU S730
9-40463-00-0-1



Wedge plate
16mm groove
9-40477-00-0-1

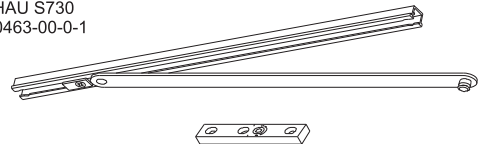


Wind bracing technical parameters

Article No.	Length (inch)	Height (mm)	Frame sliding chute width (mm)	Sash arm width (mm)	Sash width range (mm)
C-90530-01-0-1	12	13.5+0.5	18+0.5	16	501-650
C-90529-01-0-1	16	13.5+0.5	18+0.5	16	651-

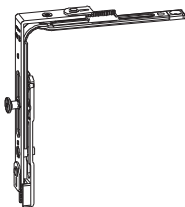


M6 Grub screw
C-70557-00-R-8

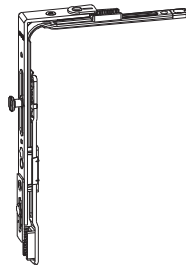


Wind bracing technical parameters

Article No.	Rod length L1	Sliding chute L2	Sash width range (mm)
C-90541-01-0-8	195mm	280mm (11")	360mm-600mm
C-90542-01-0-8	340mm	400mm (16")	480mm-1000mm



Corner drive S
6-32238-00-0-1



Corner drive SLK
6-32224-00-0-1



Corner drive 215
6-32290-00-0-1
For gear GV



Corner drive 215C
6-32292-00-0-1
For gear GV



Gear connector 90°
Without lock point
6-32624-00-0-1



Gear connector 180°
Without lock point
6-32303-00-0-1



Gear connector 90°
With lock point
6-32104-00-0-1



Gear connector 180°
With lock point
6-32105-00-0-1



Gear connector
6-32155-02-0-1



Extension 250
8-00625-00-0-1



Extension 500
6-32141-00-0-1

Can be cut into 130mm

Can be cut into 250mm

12. G-U Window Product Data List

G-U Window Product Data List								
Type	Profile	Min.SW/SRW	Max.SW/SRW	Min.SH/SRH	Max.SH/SRH	Max.SW	Installation Drawing No.	
Tilt-Turn	Al (JET AK8)	355	1700	500	2800	80/130	044170	
	Al (ALU-JET 610)	410	1700	500	2800	80/130	048088	048087
	PVC (UNI-JET D)	280	1600	260	2800	80/100	044324	046603
	Timber (UNI-JET M6/12)	280	1600	260	2800	130	044324	046605
	Al.U groove (UNI-JET C)	280	1600	260	2800	80/130	044324	044708
	Al.U groove (UNI-JET D)	280	1600	260	2800	80/100	044324	046741
Tilt-Turn Concealed	Al (ALU-JET CC610)	500	1600	500	2800	150	048088	047136
	Al (ALU-JET CC610F)	500	1600(developing)	500	2800	100	Refer to CC610 Drawing. Also apply to flush profile	
	PVC (UNI-JET SCF)	300	1400	260	2800	60/130	044324	047107
	Timber (UNI-JET SCF)	300	1400	260	2800	60/130	044324	047106
Turn Only	Al (JET AK8)	355	1700	500	2800	80/130	044231	
	Al (ALU-JET 610)	410	1700	500	2800	80/130	048090	048087
	PVC (UNI-JET D)	280	1600	260	2800	80/100	044324	046603
	Timber (UNI-JET M6/12)	280	1600	260	2800	130	044324	046605
	Al.U groove (UNI-JET C)	280	1600	260	2800	80/130	044324	044708
	Al.U groove (UNI-JET D)	280	1600	260	2800	80/100	044324	046741
Turn Only Concealed	Al (ALU-JET CC610)	500	1600	500	2800	150	048090	047136
	Al (ALU-JET CC610F)	500	1600(developing)	500	2800	100	Refer to CC610 Drawing. Also apply to flush profile	
	PVC (UNI-JET SCF)	300	1400	260	2800	60/130	044324	047107
	Timber (UNI-JET SCF)	300	1400	260	2800	60/130	044324	047106
Lift & Slide (Standard)	Al	720	3300	850	3250	600	044415	
	PVC	700	3300	840	3250	600	044383	
	Timber	700	3300	850	3250	600	045338	045647
Lift & Slide (Ventilation)	Al	700	3300	750	3250	600	—	
	PVC	620	3300	800	3250	600	045551	
	Timber	620	3300	820	3250	600	044923	
Lift & Slide (Motorized)	Al	950	3300	1855	2765	600	045658	
	PVC	950	3300	1855	2765	600	044827	
	Timber	950	3300	1855	2765	600	044355	
Tilt Slide (Standard)	Al	600	1600	730	2400	130	044495	
	PVC	640	1600	700	2350	130	044384	
	Timber	640	1600	700	2350	130	044386	
Tilt Slide (Motorized)	Al	740	1850	895	2400	150/180	043905	044795
	PVC	720	1850	820	2370	150/180	044351	043845
	Timber	720	1850	820	2370	150/180	043850	043830
Parallel Sliding	Al	600	2000	730	3000	200	045960	046713
	PVC	640	2000	730	2350	200	046030	046714
	Timber	640	2000	730	2350	200	046029	046715
Fold Sliding	Al	500	1000	851	2400	80/130	046575	
	PVC	500	1000	851	2350	80	046888	047119
	Timber	500	1000	851	2350	80/130	046570	046892
Horizontal Pivot	Al	580	2950	600	2200	175	042956	
	PVC	576	2950	700	2200	175	042030	
	Timber	576	2950	700	2200	175	041840	
Vertical Pivot	Al	600	2200	600	2950	175	042959	
	PVC	—	—	—	—	—	—	
	Timber	782	1600	800	2450	175	041880	042020

Gretsch-Unitas GmbH
Baubeschläge
D-71252 Ditzingen
Phone +49 (0)7156 301-0
Fax +49 (0)7156 301-293
www.g-u.com

As a specialist manufacturer of hardware and ventilators, Gretsch-Unitas have been, for many years, the brand leader in several product areas.
The market acceptability of the wide ranging product programme of builder's hardware and ventilators with up-to-date technology and design is proved in daily competition.



BKS GmbH
Postfach 10 02 10
D-42502 Velbert
Phone +49 (0)2051 201-0
Fax +49 (0)2051 201-555
www.g-u.com

The BKS name has been synonymous with security for more than one hundred years.
The traditional Velbert company brings proven products and an outstanding reputation – earned through undisputed product quality – to the Gretsch-Unitas Group.



FERCO International S.A.S.
F-57401 Sarrebourg
Phone +33 (0)3 87 23 31 11
Fax +33 (0)3 87 03 54 06
www.ferco.fr

FERCO INTERNATIONAL is France's largest and most widely used builder's hardware supplier.
The extensive programme of modern hardware is distributed world wide.



GU Automatic GmbH
Stahlstraße 8
D-33378 Rheda-Wiedenbrück
Phone +49 (0)5242 924-0
Fax +49 (0)5242 924-100
www.g-u.com

The business range "entrance systems" encloses projection, production, distribution, assembly and service of automatic door installations.
With GU Automatic the G.U Group extends the supply of system solutions for windows, internal and external doors as well as for façades.



GRETSCH-UNITAS Baubeschlaege GmbH

Liaison office Pan India

M+V Market Development Service Pvt. Ltd

Plot No. 52, Udyog Vihar VI, Sector 37, Gurugram, 122001, India.

Mob: +91-7600118555

E-Mail: sandeep@g-u.co.in

Web:

<http://www.g-u.com>