



GRETSCH-UNITAS GROUP

Architectural Hardware for Aluminium Windows & Doors

- Tilt & Turn hardware systems
- Casement hardware
- Inline sliding hardware
- Fold & Slide hardware
- Lift & Slide hardware
- Fanlight openers
- Multi-point lock for security door
- Lock cylinder

Vorsprung mit System
Securing technology for you





GU Product System

Window Technology (Aluminium PVC Timber)

- Tilt Turn fittings
- Side Hung fittings
- Curtainwall multi-point lock
- Casement fittings
- Sliding fittings
- Lift sliding fittings
- Inline sliding fittings
- Fold sliding fittings
- Horizontal pivot fittings
- Vertical pivot fittings
- Fanlight
- Smoke and heat exhaust ventilation systems (RWA)
- Doors & windows accessories

Door Technology

- Door hinge
- Cylinder
- Multi-point lock system
- Panic lock
- Electric lock
- Mortise lock
- Master key system
- Handle
- Door closer
- Panic device
- Floor Spring
- Patch fitting
- Accessories

Automatic Entrance

- Auto sliding doors system
- Curved sliding door system
- Revolving doors system
- Swing door drives
- Security doors system
- Glass sliding partition, manual
- Glass sliding partition, automatic



CERTIFICATE

The AGQS Qualitäts- und Umweltmanagement GmbH hereby certifies that the company

Gretsch-Unitas GmbH
Johann-Maus-Straße 3
D-71254 Ditzingen

at the location

BKS GmbH
Heidestraße 71
D-42549 Velbert

for the scope

development, production and sales of locking cylinders, locking suites, locks for house and internal doors, door furniture, door closers as well as emergency door systems and cross-linked safety- and facility management systems as well as Smart Home application. Training of these systems by GEMOS academy

has implemented and maintains a quality management system. An audit, documented in a report, has verified that this management system fulfils the requirements of the following standard:

DIN EN ISO 9001:2015

J. BRS
Remscheid, 2021-04-16



AGQS Qualitäts- und Umweltmanagement GmbH
Elberfelder Straße 77
D-42853 Remscheid
email@agqs.de

Audit Certificate
035-QMS-R80
035-QMS-95-08-03
Valid from 2021-05-01
Valid until 2024-04-30
1st certification 1995-01-26

only valid in conjunction with the main certificate 035-QMS-95-08



CERTIFICATE

The AGQS Qualitäts- und Umweltmanagement GmbH hereby certifies that the company

GU Gretsch-Unitas GmbH
Johann-Maus-Straße 3
D-71254 Ditzingen

for the scope

design, manufacturing and sales of fittings, locks and locking cylinders for wooden, PVC and aluminium windows and doors and cross-linked safety- and facility management systems as well as Smart Home applications and trading of accessory products

with the sites mentioned in the annex

has implemented and maintains a quality management system. An audit, documented in a report, has verified that this management system fulfils the requirements of the following standard:

DIN EN ISO 9001:2015

J. BRS
Remscheid, 2021-04-16



AGQS Qualitäts- und Umweltmanagement GmbH
Elberfelder Straße 77
D-42853 Remscheid
email@agqs.de

Audit Certificate
035-QMS-R80
035-QMS-95-08
Valid from 2021-05-01
Valid until 2024-04-30
1st certification 1995-01-26



Annex to the main certificate 035-QMS-95-08

site C1 to the main certificate:
Gretsch-Unitas GmbH Budeschlag, Johann-Maus-Straße 3, D-71254 Ditzingen

for the scope
design, manufacturing and sales of fittings, locks and locking cylinders for wooden, PVC and aluminium windows and doors, trading of accessory products

sub certificate 035-QMS-95-08-01, 1st certification 1995-01-26

site C2 to the main certificate:
Gretsch-Unitas Logistik GmbH, Weimurder Str. 48-52, D-71254 Ditzingen

for the scope
storage, commissioning and distribution of products from the GU group

sub certificate 035-QMS-95-08-02, 1st certification 1995-01-26

site C3 to the main certificate:
BKS GmbH, Heidestraße 71, D-42549 Velbert

for the scope
development, production and sales of locking cylinders, locking suites, locks for house and internal doors, door furniture, door closers as well as emergency door systems and cross-linked safety- and facility management systems as well as Smart Home application. Training of these systems by GEMOS academy

sub certificate 035-QMS-95-08-03, 1st certification 1995-01-26

site C4 to the main certificate:
Fenco International S.A.S., 2 rue de vieux Moulin, F-57401 Sarrebourg

for the scope
design, manufacturing and sales of fittings and locks for wooden, PVC and aluminium windows and doors as well as trading of accessory products

sub certificate 035-QMS-95-08-04, 1st certification 1995-01-26

site C5 to the main certificate:
GU Slovakia, s.r.o., Pionierský park Misa-Sever / Dohrá Hory 24, SK 65141 Lužianky

for the scope
manufacturing and sales of fittings and locks for wooden, PVC and aluminium windows and doors as well as trading of accessory products

sub certificate 035-QMS-95-08-05, 1st certification 1995-01-26

site C6 to the main certificate:
GU-GU GmbH, Breitenbachstraße 10, D-13509 Berlin

for the scope
development of hardware and software for cross-linked safety- and facility management systems and Smart Home applications

sub certificate 035-QMS-95-08-06, 1st certification 1995-01-26



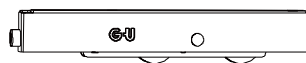
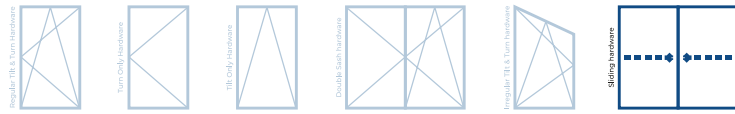
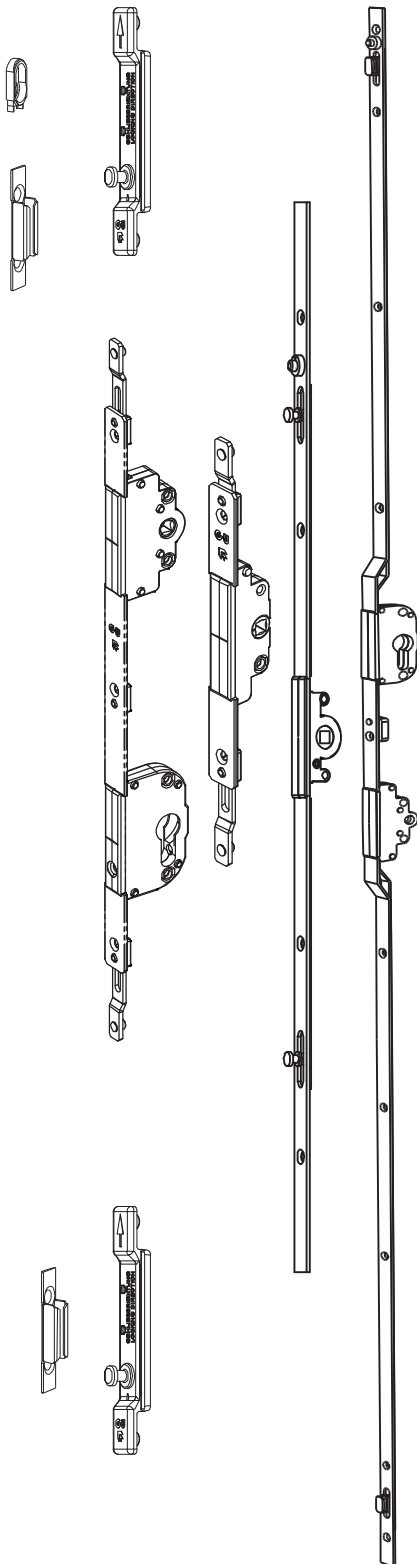
AGQS Qualitäts- und Umweltmanagement GmbH
Elberfelder Straße 77
D-42853 Remscheid
email@agqs.de

Audit Certificate
035-QMS-R80
035-QMS-95-08
Valid from 2021-05-01
Valid until 2024-04-30
1st certification 1995-01-26

J. BRS
Remscheid, 2021-04-16

S.No.	Particulars	Page No.
1.	Sliding Door And Window Multipoint Series	5-6
2.	Sliding Door And Window Roller Series	7
3.	Gear Series	8-9
4.	Casement Window Hardware Series	10
5.	Casement Friction Hung	11-12
6.	Locking System For Curtain Wall	13-14
7.	Parallel Window For Curtain Wall	15
8.	Top Hung & Parallel Hinges	16
9.	Stay Arm Series	17
10.	Curtain Wall Accessories	18
11.	Locking Cams & Strikers	19-20
12.	Casement Door Hardware	21-23
13.	Doors & Windows Handles	24-26
14.	Lock Cylinders	27-28
15.	Doors & Window Hinges	29
16.	Doors & Windows Shoot Bolts	30
17.	Tilt & Turn Window	31-33
18.	Ventus F200 Fanlight Hardware	34
19.	Lift & Slide Hardware	35-36
20.	Fold & Slide Hardware	37-39
21.	RWA Chain actuators	40-42
22.	G-U Product data list	43

1. Sliding Door And Window Multipoint

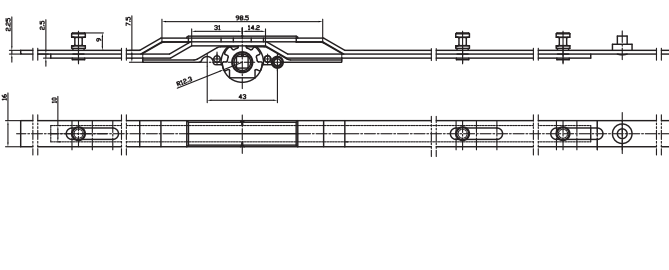


OUR ADVANTAGES

- Euro and Non-Euro Groove solutions
- 7.5mm to 40mm Backset Gears
- Carbon Steel and SS 304 Gears
- 40kg to 260kg SS 304 Rollers

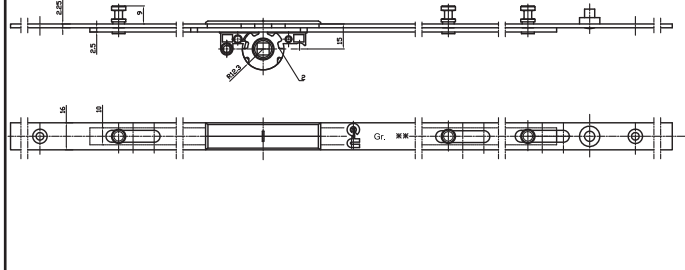
1a. Sliding Door And Window Multipoint

Backset is 7.5mm



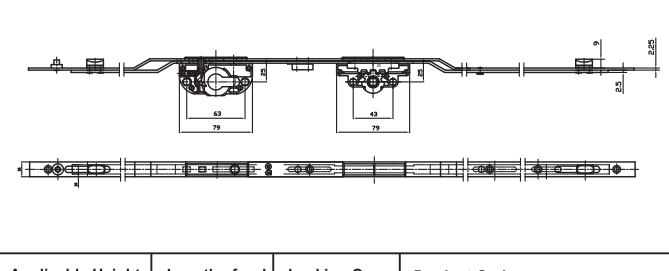
Applicable Height	Length of rod	Locking Cam	Product Code
400-600	400	2	C-90135-04-0-1
601-800	600	2	C-90135-06-0-1
801-1000	800	2	C-90135-08-0-1
1001-1200	1000	2	C-90135-10-0-1
1201-1400	1200	3	C-90135-12-0-1
1401-1600	1400	3	C-90135-14-0-1
1601-1800	1600	3	C-90135-16-0-1

Backset is 15mm



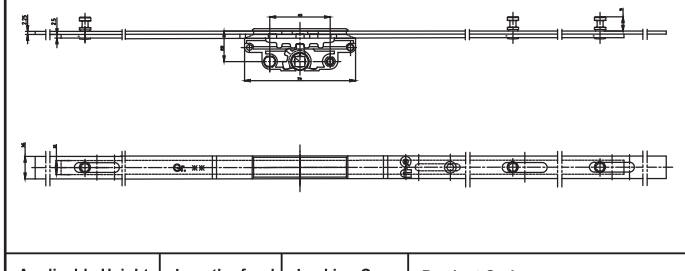
Applicable Height	Length of rod	Locking Cam	Product Code
601-800	600	2	C-90136-06-0-1
801-1000	800	2	C-90136-08-0-1
1001-1200	1000	2	C-90136-10-0-1
1201-1400	1200	3	C-90136-12-0-1
1401-1600	1400	3	C-90136-14-0-1
1601-1800	1600	3	C-90136-16-0-1
1801-2000	1800	4	GUIN20210305-02-1.8
2001-2200	2000	4	GUIN20210305-02-2

Backset is 15mm Lockable



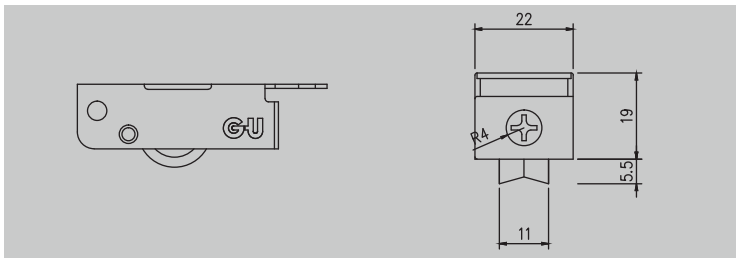
Applicable Height	Length of rod	Locking Cam	Product Code
1600-1800	1600	2	C-90137-10-0-1
2000-2200	2000	2	GUEX20160302-02-2
2200-2400	2200	2	GUEX20160302-02-2.2

Backset is 22mm

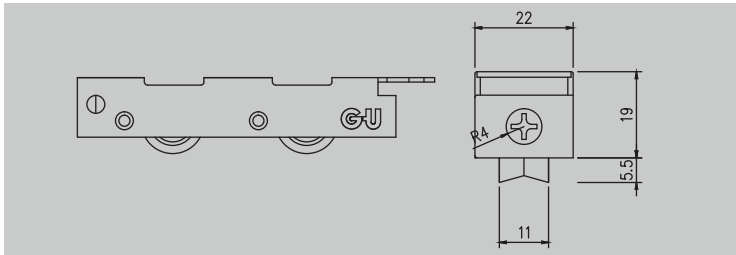


Applicable Height	Length of rod	Locking Cam	Product Code
400-600	400	2	C-90725-04-0-1
601-800	600	2	C-90725-06-0-1
801-1000	800	2	C-90725-08-0-1
1001-1200	1000	2	C-90725-10-0-1
1201-1400	1200	3	C-90725-12-0-1
1401-1600	1400	3	C-90725-14-0-1
1601-1800	1600	3	C-90725-16-0-1

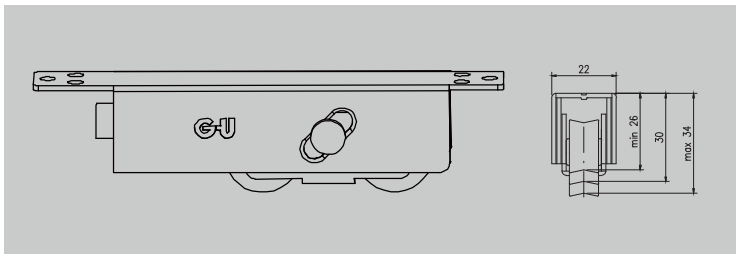
1b. Sliding Door And Window Roller



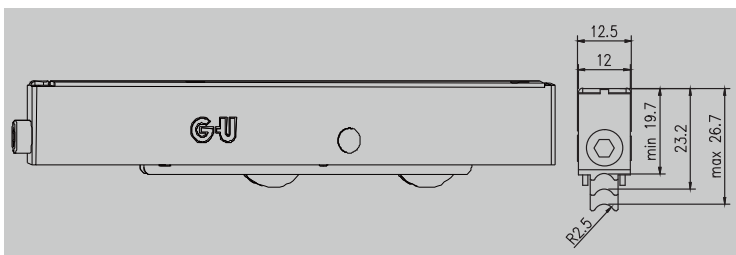
Article No.	GUIN20190905-03
Weight capacity	60kg/pair
Bogie width	22mm
Bogie height	17-22mm



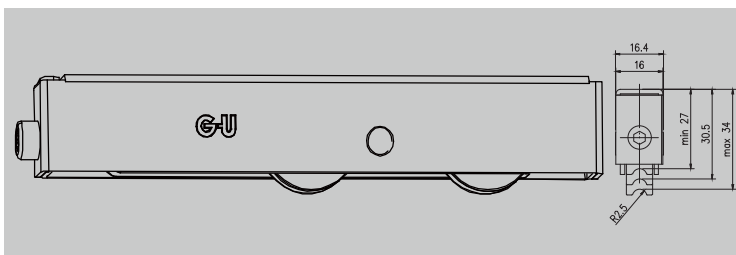
Article No.	GUIN20190905-04/GUIN20190905-05
Weight capacity	80kg/pair, 150kg/pair
Bogie width	22mm
Bogie height	17-22mm



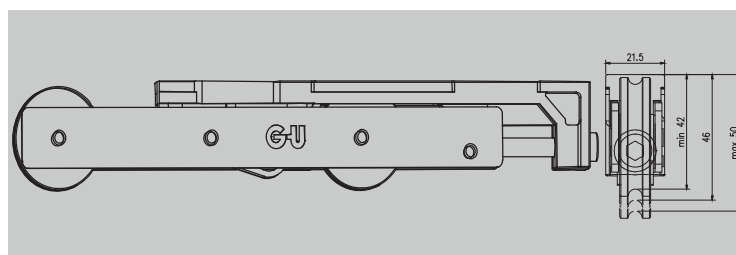
Article No.	C-90108-04-0-1
Weight capacity	150kg/pair
Bogie width	22mm
Bogie height	26-34mm



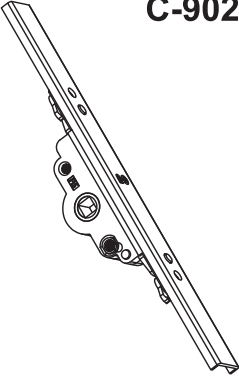
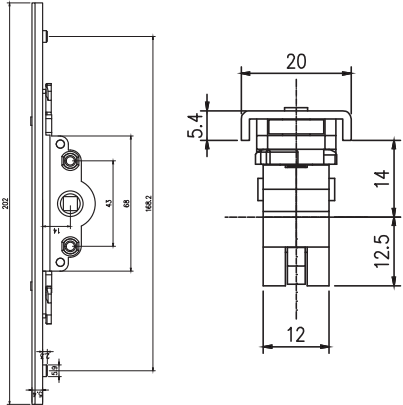
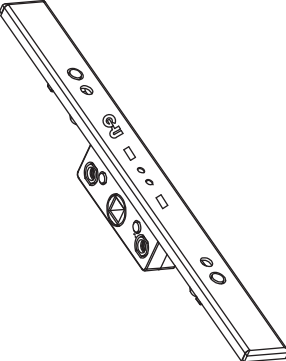
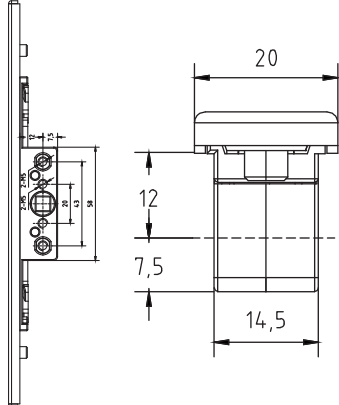
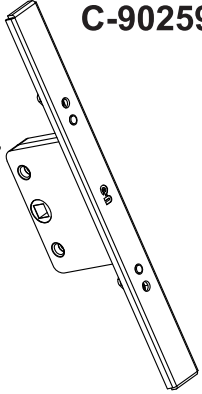
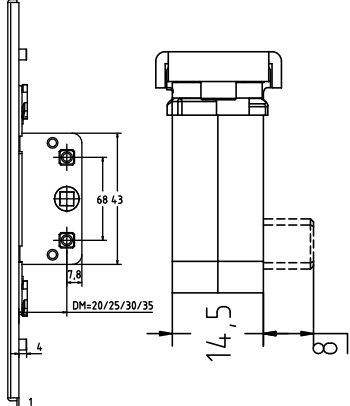
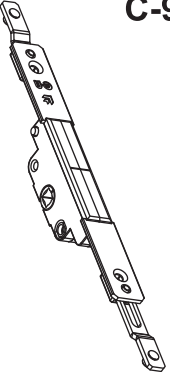
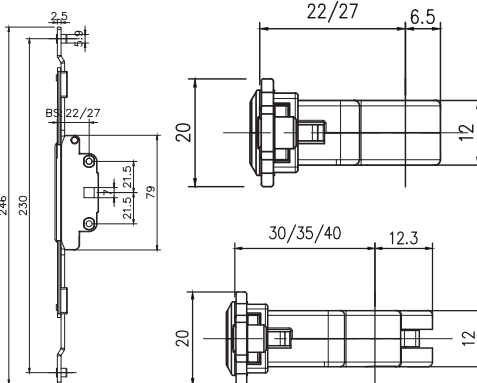
Article No.	GUIN20200327-02	C-90106-04-0-1
Weight capacity	80kg/pair	120kg/pair
Bogie width	12.3mm	12.3mm
Bogie height	19-28mm	19-28mm

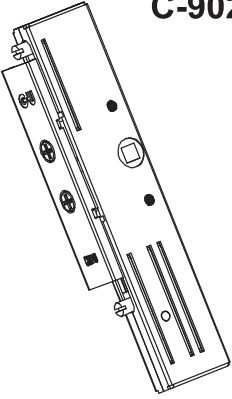
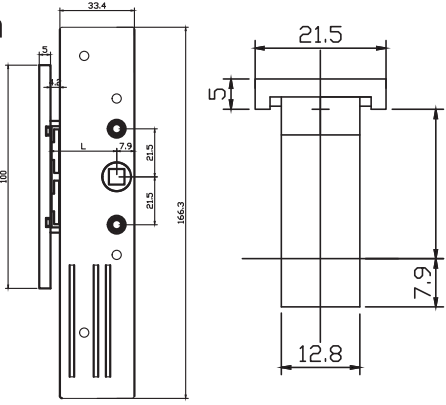
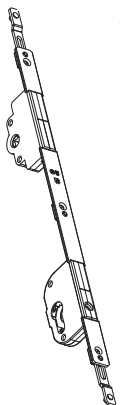
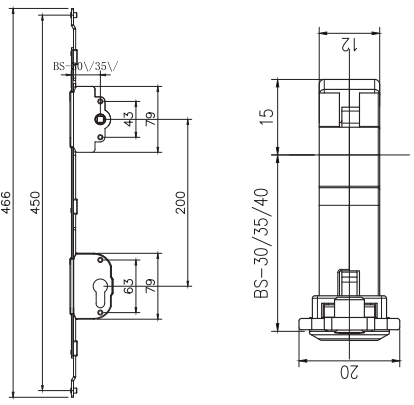


Article No.	C-90107-00-0-1	C-90107-04-0-1
Weight capacity	120kg/pair	200kg/pair
Bogie width	16.3mm	16.3mm
Bogie height	27-34mm	27-34mm



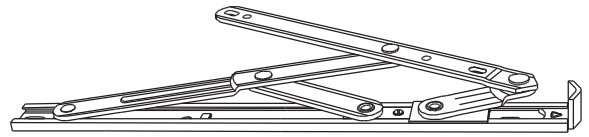
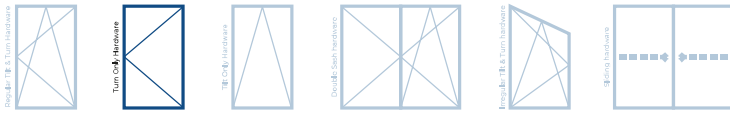
Article No.	C-90109-00-0-8
Weight capacity	260kg/pair
Bogie width	22mm
Bogie height	42-50mm

 <p>C-90256-15-0-8</p>	<ul style="list-style-type: none"> ● Backset 15mm ● Application : Sliding & Casement ● 180° Rotation ● Uni-directional 	
 <p>C-90259-12-0-8/8A</p>	<ul style="list-style-type: none"> ● Backset 12mm ● Application : Sliding Window & Door ● 90° Rotation ● Bi-directional ● 8- Plain Finish / 8A- Brush Finish 	
 <p>C-90259-**-0-8/8A</p>	<ul style="list-style-type: none"> ● Backset 20, 25, 30, 35mm ● Application : Sliding & Casement ● 90° Rotation ● ** - 20, 25, 30, 35 ● Bi-directional ● 8- Plain Finish / 8A- Brush Finish 	
 <p>C-90254-**-0-8</p>	<ul style="list-style-type: none"> ● Backset 22, 27, 30, 35, 40mm ● Application : Sliding & Casement ● 180° Rotation ● Uni-directional 	

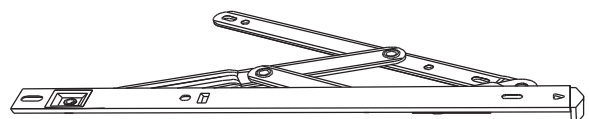
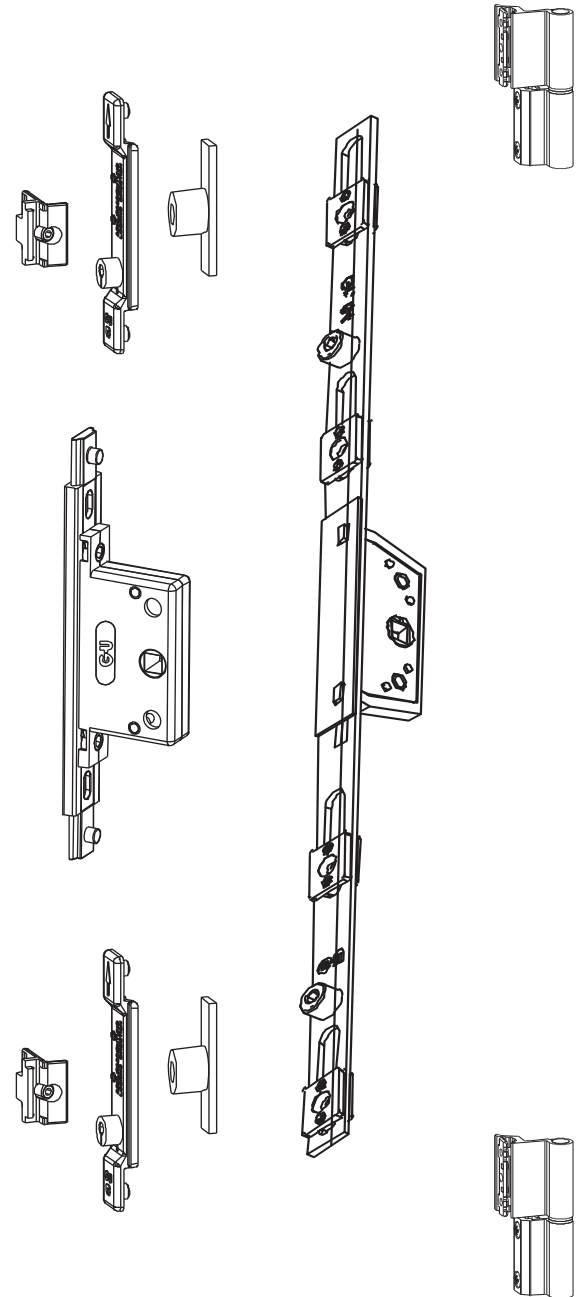
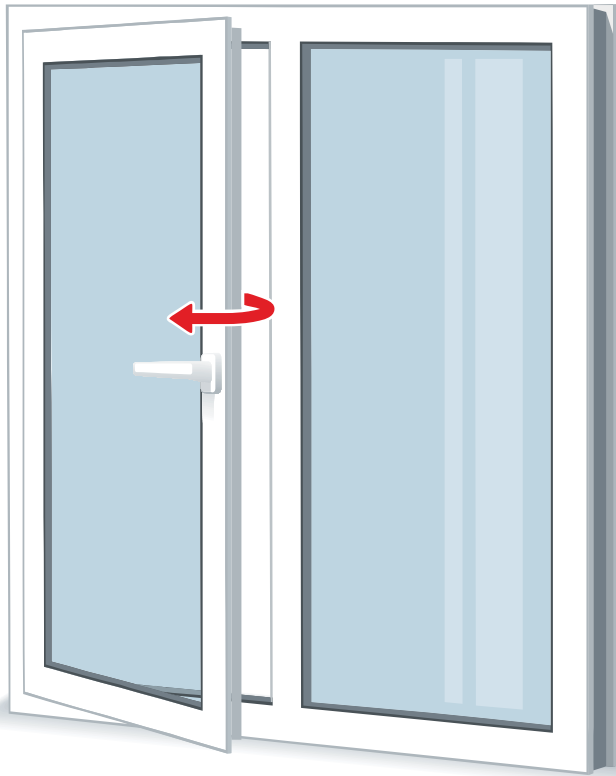
 <p>C-90249-**-0-8</p>	<ul style="list-style-type: none"> ● Backset 20, 25, 30, 35mm ● Application : ● Sliding & Casement ● 90° Rotation ● Bi-directional 	
 <p>C-90252-**-0-8</p>	<ul style="list-style-type: none"> ● Backset 30, 35, 40mm ● Application : ● Sliding & Casement ● 180° Rotation ● Uni-directional 	



2. Casement Window Hardware Series



Frictional hinge



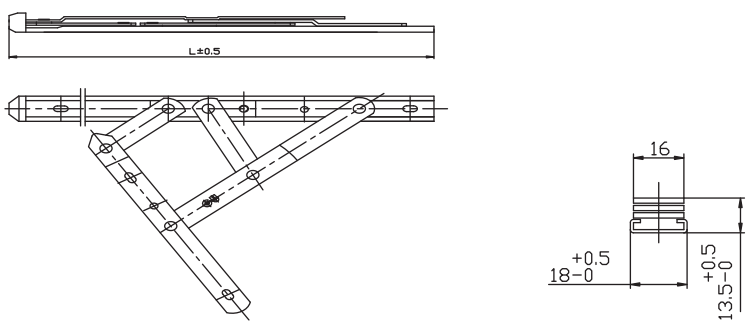
Frictional hinge

OUR ADVANTAGES

- Euro and Non-Euro Groove solutions
- 15mm to 40mm Backset Gears
- Carbon Steel and SS 304 Gears
- 12kg to 250kg SS 304 Friction Stays & Hinges

2a. Casement Friction Hinge Low Duty

Casement Friction stay Light Duty 13.5mm Stack Height



Functional advantages :

- Material: Stainless steel 304
- The thickness of all the connection bars is 1.9 ± 0.1 mm
- Comply with EN 13126-6

Possible constructions/solutions:

Article No.	Length (L)	Opening Angle N ($\pm 3^\circ$)	Max.Sash Weight (Kg)
C-90521-01-P-8	8"	87	12
C-90523-01-P-8	12"	64	20
C-90524-01-P-8	14"	55	22
C-90525-01-P-8	16"	55	24

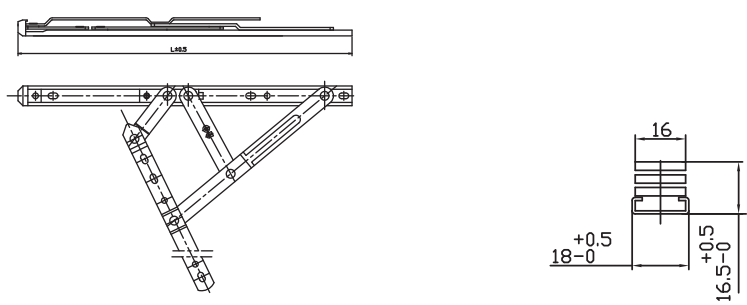
Functional advantages :

- Material: Stainless steel 304
- The thickness of all the connection bars is 1.9 ± 0.1 mm
- Comply with EN 13126-6

Functional advantages :

- Material: Stainless steel 304
- The thickness of all the connection bars is 1.9 ± 0.1 mm
- Comply with EN 13126-6

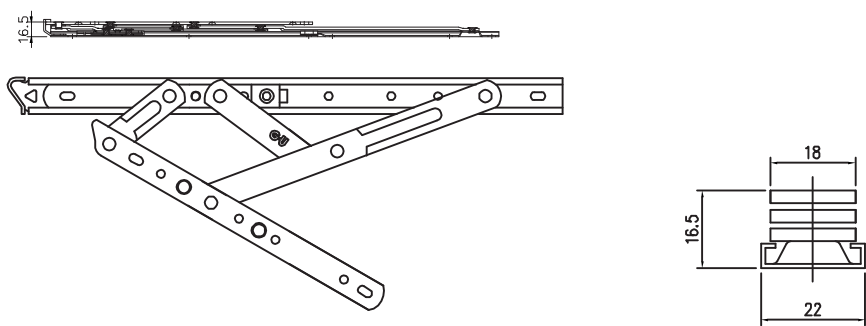
Casement Friction stay Light Duty 16.5mm Stack Height



Possible constructions/solutions:

Article No.	Length (L)	Opening Angle N ($\pm 3^\circ$)	Max.Sash Weight (Kg)
C-90521-02-P-8	8"	87	12
C-90522-02-P-8	10"	87	16
C-90523-02-P-8	12"	64	20
C-90524-02-P-8	14"	55	22
C-90525-02-P-8	16"	55	24

2b. Casement Friction Hinge Heavy Duty

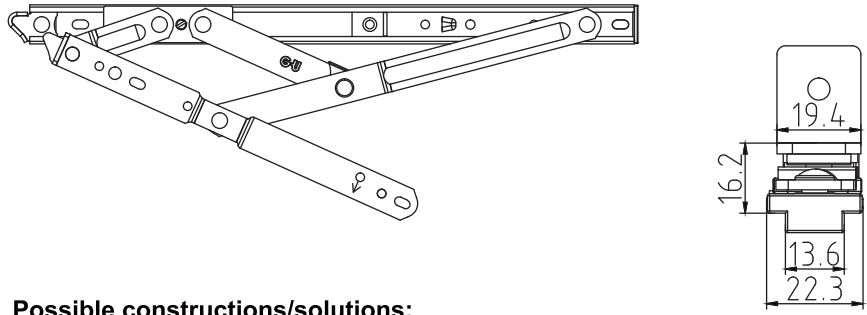
Casement Friction stay Heavy Duty 16.5mm Stack Height						
						
Article No.	Max. Sash Height (mm)	For Sash Width (mm)	Max. Sash Weight (kg)	Opening Angle	Qty.	Length
C-90502-05-P-8	1500	275-450	23	90°	4	10
C-90503-05-P-8	1500	325-500	28	45°/90°	4	12
C-90504-05-P-8	1500	375-600	33	45°/90°	4	14
C-90505-05-P-8	1600	425-700	38	45°/90°	4	16
C-90506-05-P-8	1600	475-750	43	45°/90°	4	18
C-90507-05-P-8	1600	525-800	45	60°	4	20
C-90509-05-P-8	2150	625-900	55	30°/45°	5	24

Functional advantages:

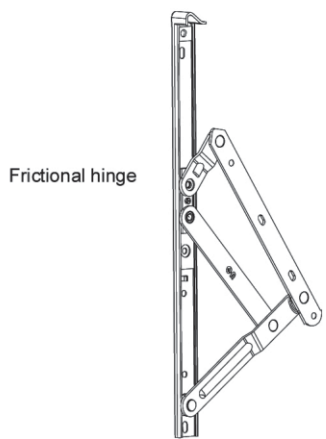
- Material: Stainless steel 304
- The thickness of all the connection bars is 3.0 ± 0.1 mm
- Comply with EN 13126-6

Functional advantages:

- Material: Stainless steel 304
- The thickness of all the connection bars is 3.0 ± 0.1 mm
- Comply with EN 13126-6

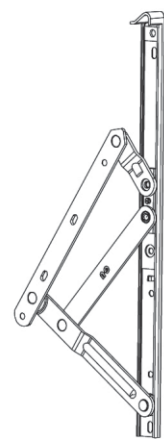
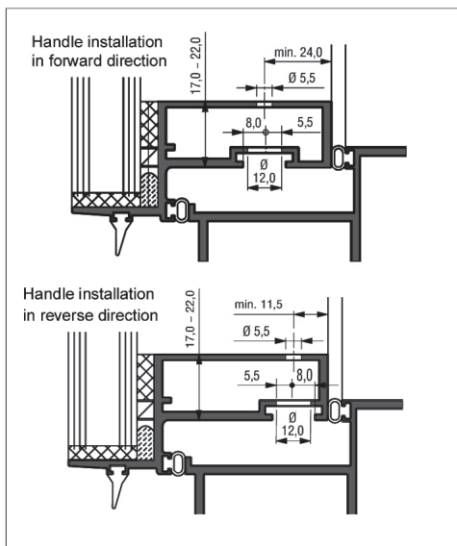
Milling-free Friction Stay						
						
Possible constructions/solutions:						
Article No.	Max. Sash Height (mm)	For Sash Width (mm)	Max. Sash Weight (kg)	Opening Angle	Qty.	Length
C-90582-12-P-8	1500	600	28	45°/90°	4	12
C-90582-14-P-8	1500	700	33	45°/90°	4	14
C-90582-16-P-8	1800	800	38	45°/90°	4	16
C-90582-18-P-8	1800	900	43	45°/90°	4	18
C-90586-12-P-8	1800	650	55	88°	4	12
C-90586-14-P-8	1800	750	60	87°	4	14

3. Locking System For Curtain Wall



Frictional hinge

Concealed middle lock



Frictional hinge

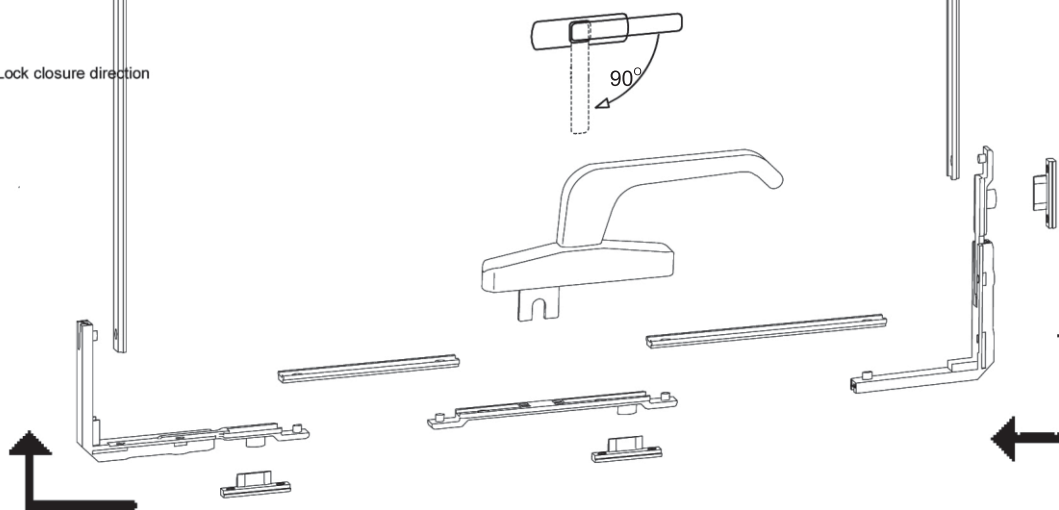
Locking pin element
Locking plate

Locking pin element
Locking plate

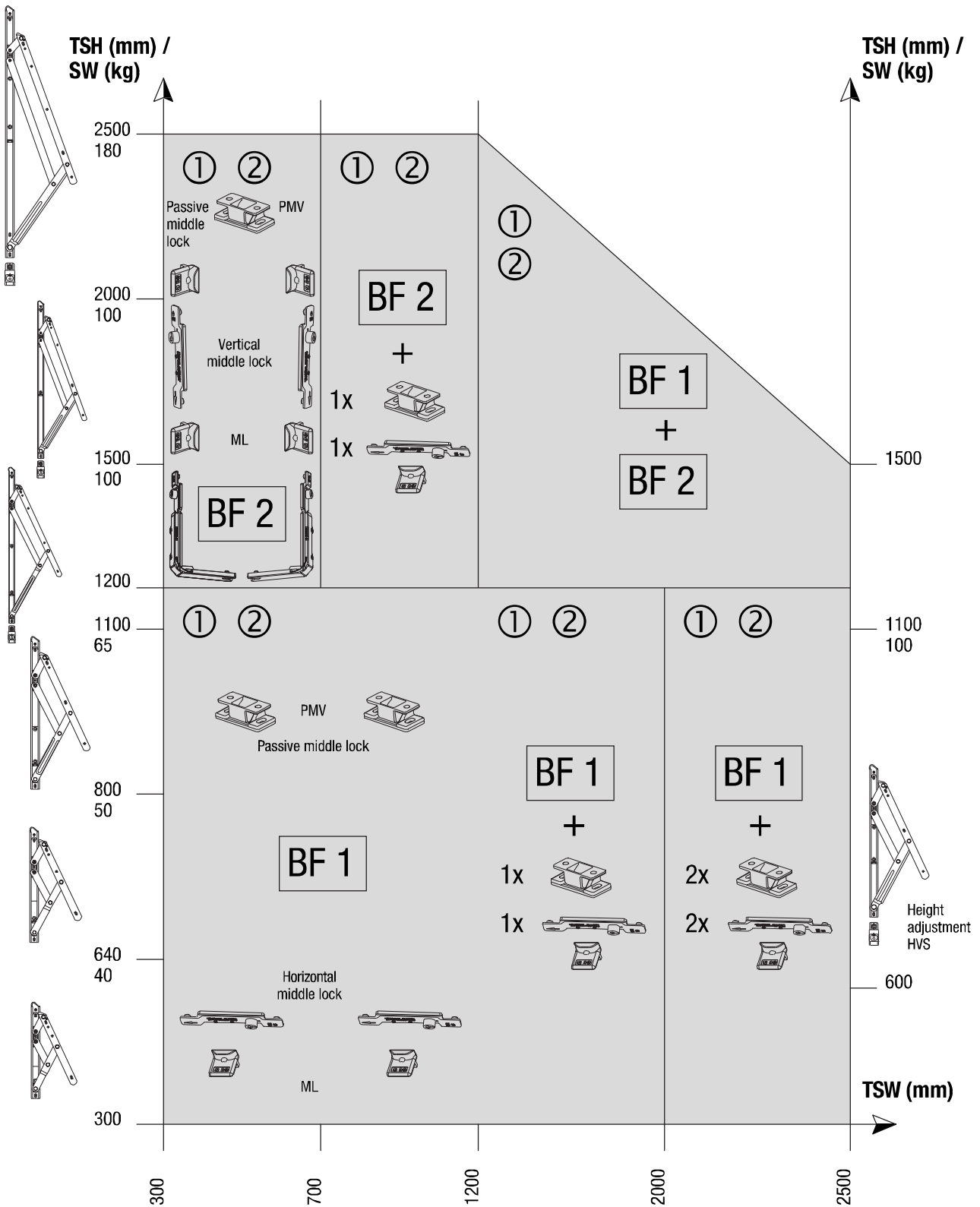
Lock closure direction

Locking pin element
Locking plate

Locking pin element
Locking plate



3a. Application Diagram / Fitting Requirements

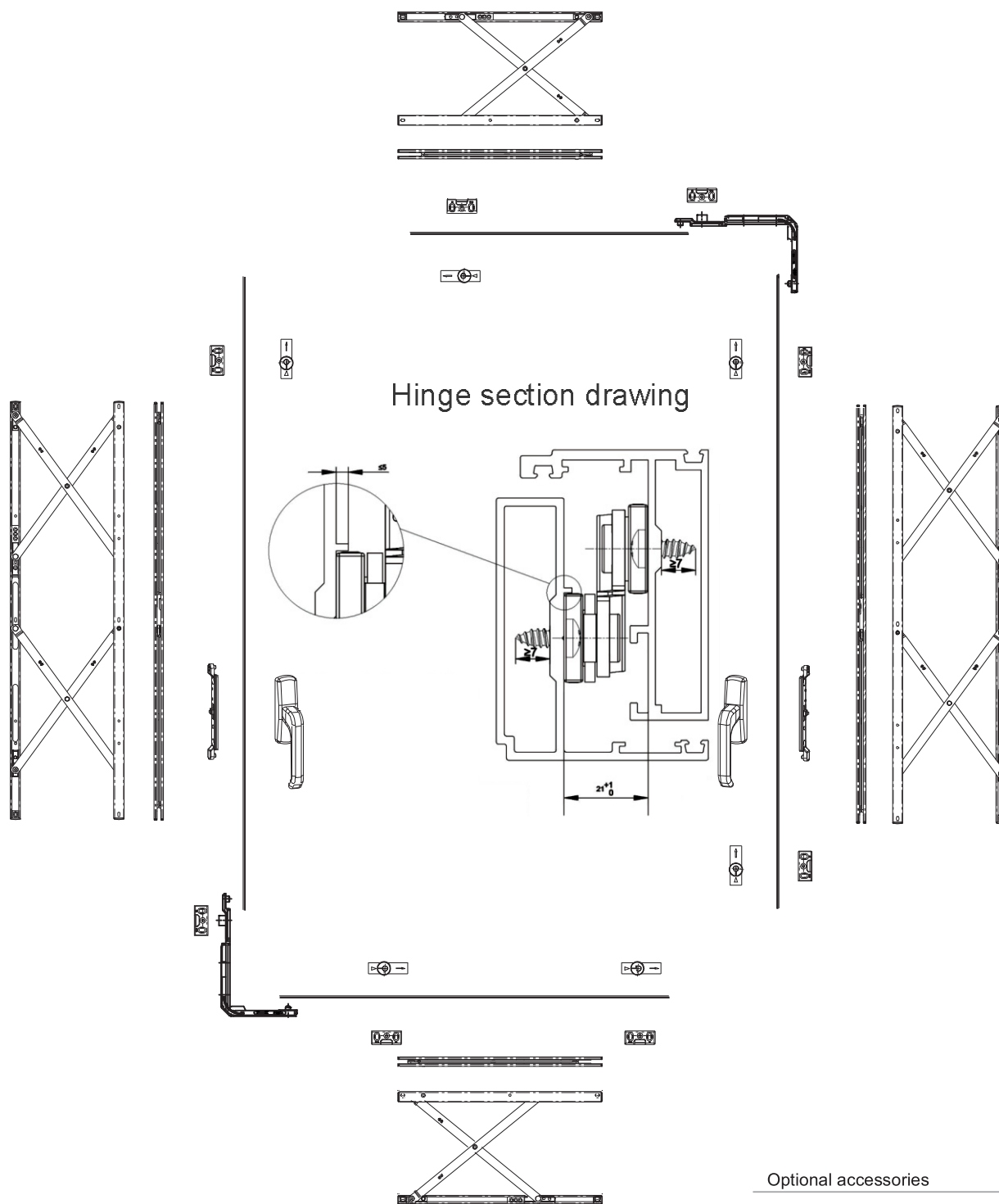


BF 1/2 = Basic fittings 1/2

① Motor application

② Manual application

3b. Parallel Opening Window Fittings For Curtain Wall



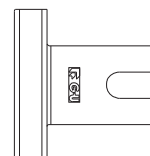
Optional accessories

POW window push handle set (fork 25mm)
C-90208-25-P-* [1]

*1 = silver *5 = dark brown *6 = black *7 = white

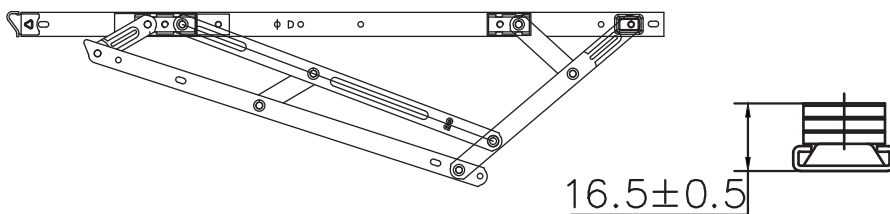
Push bar
C-70208-**-0-* [1]

- **=03,300mm
- =06,600mm
- =09,900mm
- =12,1200mm
- =14,1400mm



3c. Top Hung & Parallel Hinges

Top Hung Friction stay Heavy Duty 16.5mm Stack Height



16.5 ± 0.5

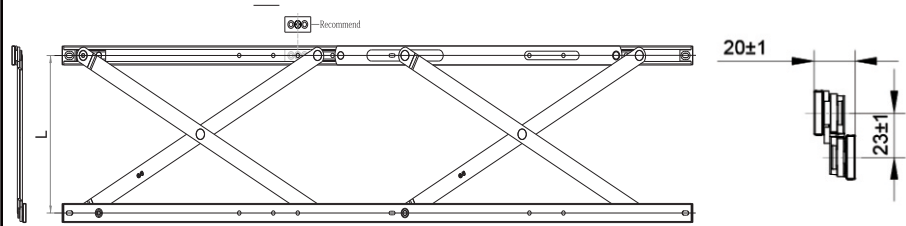
Possible constructions/solutions:

Article No.	Max. Sash Height (mm)	For Sash Width (mm)	Max. Sash Weight (kg)	Opening Angle	Qty.	Length
C-90513-05-P-8	1200	800	48	20°/32°	4	12
C-90514-05-P-8	1300	1000	58	20°/32°	4	14
C-90515-05-P-8	1400	1200	73	20°/25°/28°	4	16
C-90516-05-P-8	1400	1400	80	20°/25°/28°	4	18
C-90517-05-P-8	1600	1500	95	20°/25°/28°	6	20
C-90519-05-P-8	1800	1600	105	20°/32°	6	24
C-90520-05-P-8	2000	1700	130	10°/16°	7	28
C-90520-06-P-8	2400	1700	150	10°/16°	7	32

Functional advantages:

- Material: Stainless steel 304
- The thickness of all the connection bars is 2.7 ± 0.1 mm
- Comply with EN 13126-6

Parallel Friction stay Heavy Duty 21mm Stack Height



20 ± 1

23 ± 1

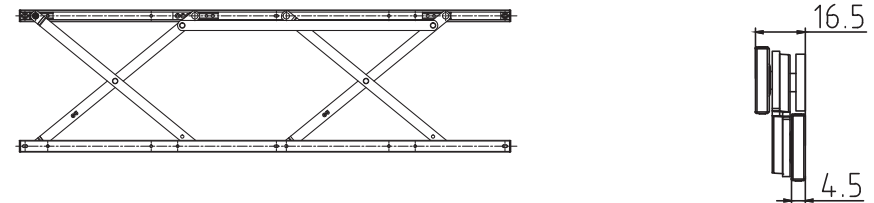
Possible constructions/solutions:

Article No.	Max. Sash Height (mm)	For Sash Width (mm)	Max. Sash Weight (kg)	Opening Distance (mm)		Length
				Manual	Auto.	
C-90556-12-L/R-8	460	450	80	115	145	12
C-90556-18-L/R-8	1000	970	80	225	250	18
C-90556-24-L/R-8	1200	970	80	325	350	24
C-90556-36-L/R-8	2000	2000	150	225	250	36

Functional advantages:

- Material: Stainless steel 304
- The thickness of all the connection bars is 3.2 ± 0.1 mm
- Comply with EN 13126-6

Parallel Friction stay Heavy Duty 16.5mm Stack Height



16.5

4.5

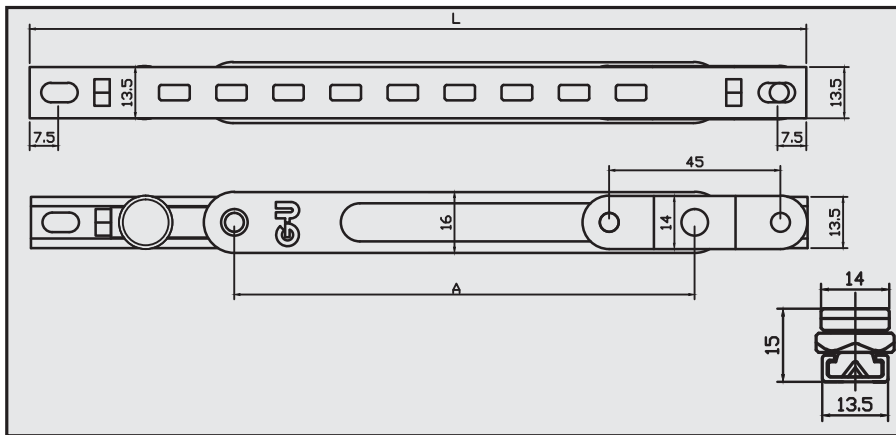
Possible constructions/solutions:

Article No.	Max. Sash Height (mm)	For Sash Width (mm)	Max. Sash Weight (kg)	Opening Distance (mm)	Qty.	Length
GUIN20200623-12	600	350	40	150	6	12
GUIN20200623-14	600	600	50	170	6	14
GUIN20200623-16	800	1000	60	200	6	16
GUIN20200623-18	900	1000	80	237	6	18
GUIN20200623-36	2000	1500	150	237	10	36

Functional advantages:

- Material: Stainless steel 304
- The thickness of all the connection bars is 2.7 ± 0.1 mm
- Comply with EN 13126-6

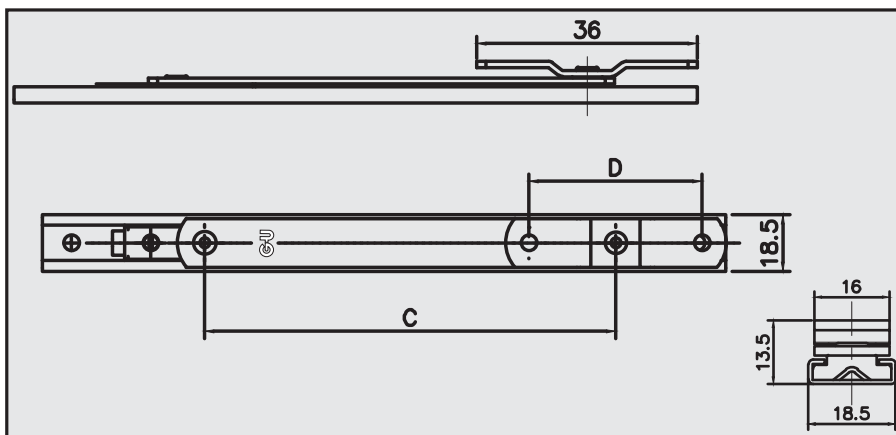
4. Stay Arm



Article No.	A	L	Length(“)
C-90526-08-0-8	121	204	8
C-90526-10-0-8	171	254	10
C-90526-12-0-8	221	304	12
C-90526-14-0-8	271	354	14
C-90526-16-0-8	321	404	16

OUR ADVANTAGES

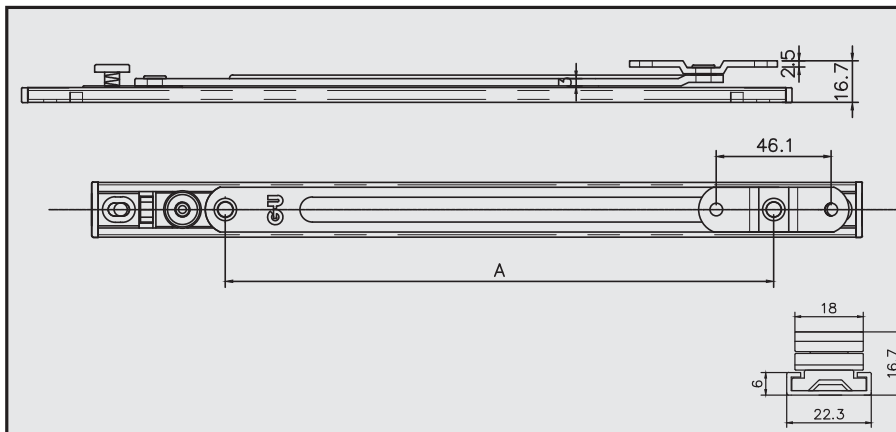
- Material SS 304
- Compliance With EN 13126-6
- Suitable for Side hung



Article No.	A	B	C	D	L	Length(“)
C-90528-01-0-1	2.4	2.4	178	58	268	10
C-90530-01-0-1	1.9	1.9	209	56.5	298	12
C-90529-01-0-1	2.2	1.9	314	56.5	400	16

OUR ADVANTAGES

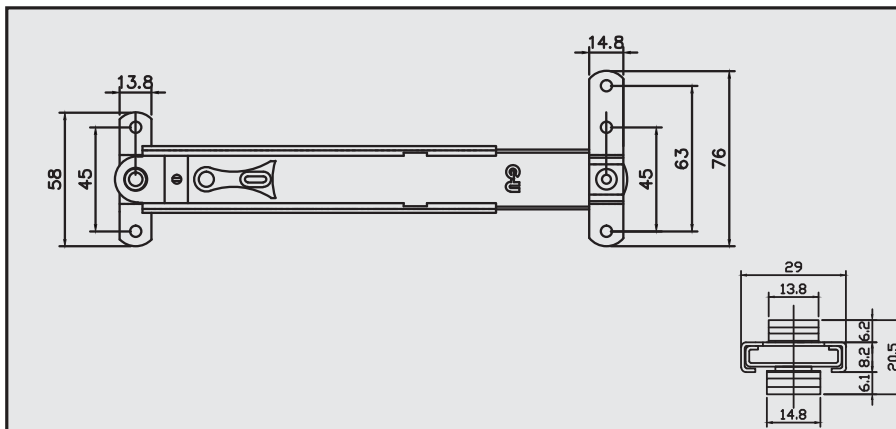
- Material SS 304
- Compliance With EN 13126-6
- Suitable for Side hung



Article No.	A	L	Length(“)
C-90537-08-0-8	120	209	8
C-90537-10-0-8	170	259	10
C-90537-12-0-8	220	309	12
C-90537-14-0-8	270	359	14
C-90537-16-0-8	320	409	16

OUR ADVANTAGES

- Material SS 304
- Compliance With EN 13126-6
- Suitable for Side/Top hung

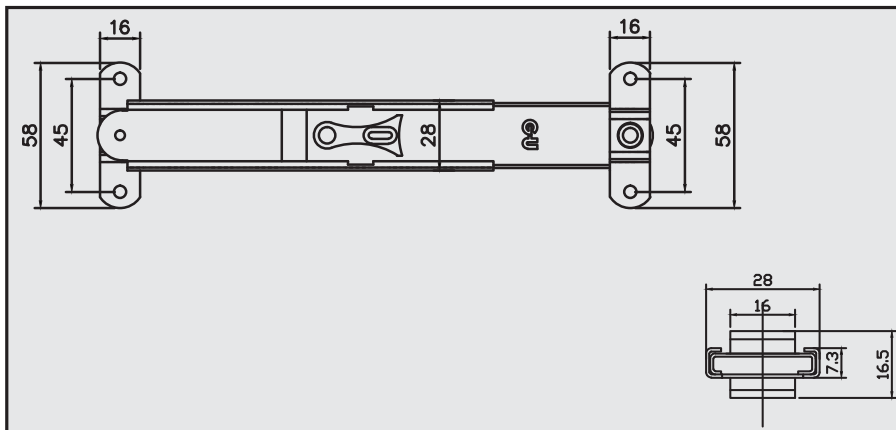


Article No.	Closed	Open
C-90561-04-P-8	154 (6“)	203
C-90562-04-P-8	203 (8“)	301
C-90563-04-P-8	254 (10“)	403
C-90564-04-P-8	304 (12“)	503

OUR ADVANTAGES

- Material SS 304
- Compliance With EN 13126-6
- Suitable for Side hung

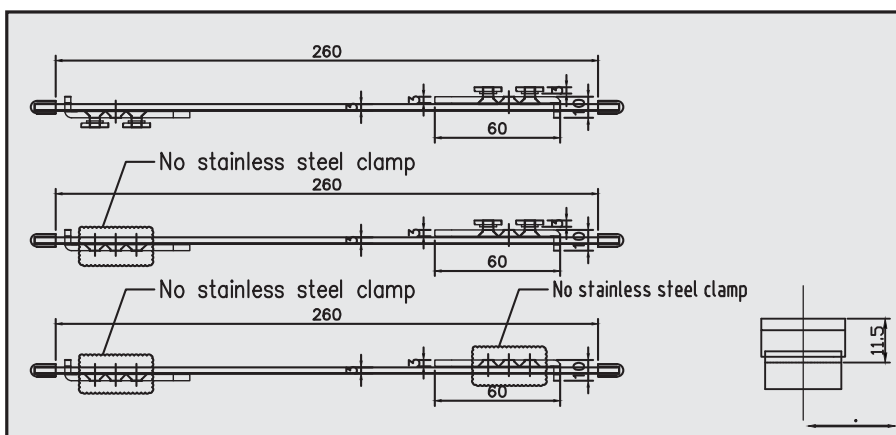
4a. Curtain Wall Accessories



Article No.	Closed	Open
C-90561-02-P-8	154 (6")	203
C-90562-02-P-8	203 (8")	301
C-90563-02-P-8	254 (10")	403
C-90564-02-P-8	304 (12")	503
C-90565-02-P-8	354 (14")	603

OUR ADVANTAGES

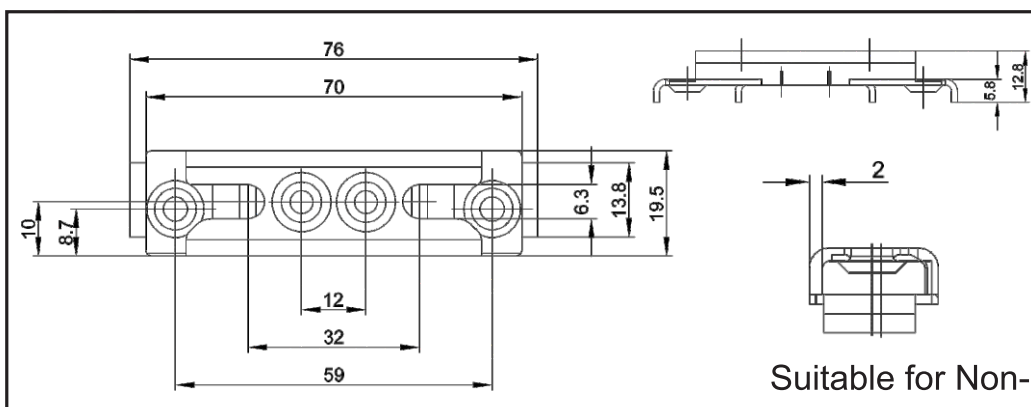
- Material SS 304
- Compliance With EN 13126-6
- Suitable for Top hung



Article No.	14/18 Groove	15/20 Groove
C-90540-00-0-8	Y	Y
C-90540-01-0-8	N	Y
C-90540-02-0-8	N	N

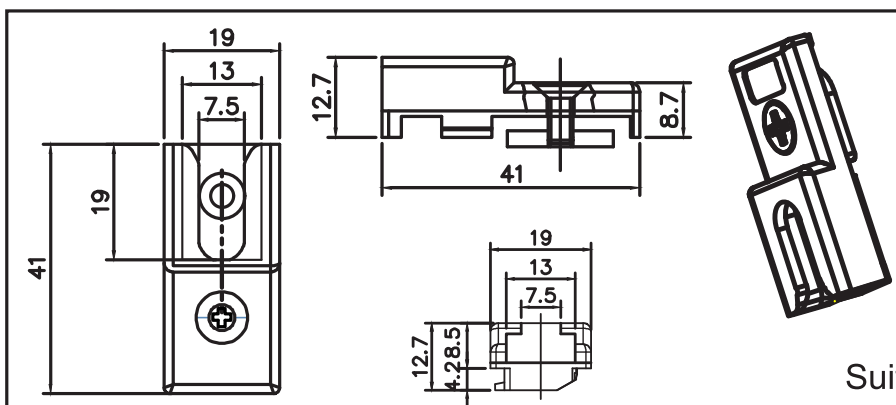
OUR ADVANTAGES

- Material SS 304
- Compliance With EN 13126-6
- Suitable for Top hung & Casement



6-37254-14-0-1
SE Locking Plate
Material SS-304

Suitable for Non-Euro Groove Profile



C-90279-00-0-1
SE Locking Plate

Suitable for Euro Groove Profile

5. Locking Cams & Strikers

6-24539-00-0-1
LC height is 6.5mm

6-24539-08-0-1
LC height is 8mm

C-90277-08-0-1
SE Locking pin
LC height is 8.5mm

Top Hung Locking Cam

C-90273-00-0-8
LC height is 6.5mm

C-90273-08-0-8
LC height is 8mm

6-37111-00-0-8
LC height is 6.5mm

6-37114-00-0-8
SE Locking Pin
LC height is 8mm

C-90206-00-0-1
LC height is 9mm

C-90206-11-0-1
LC height is 11mm

C-90206-13-0-1
LC height is 13mm

Sliding Locking Cam

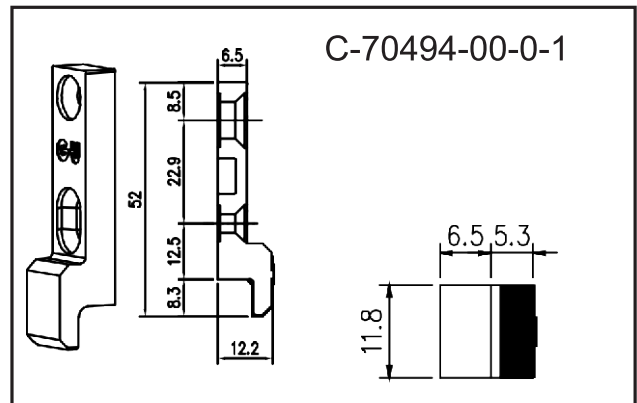
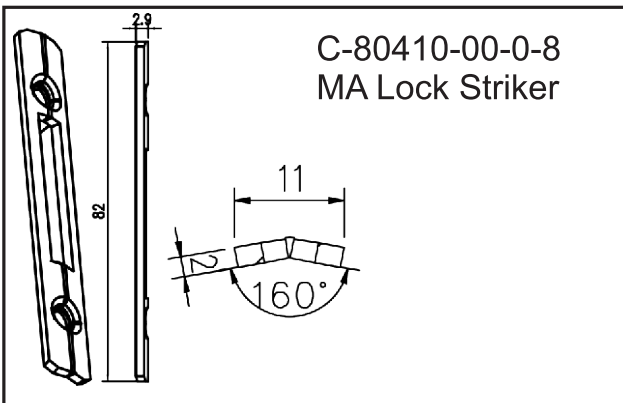
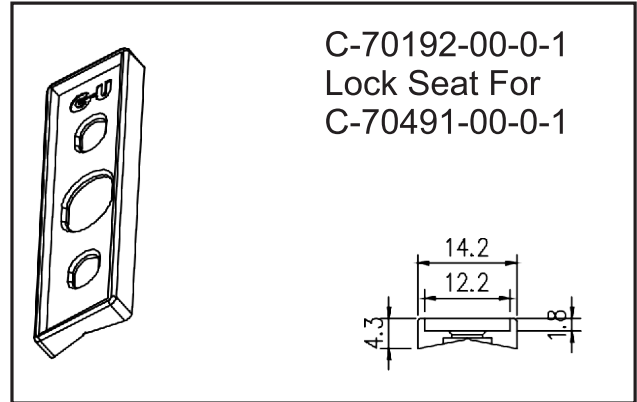
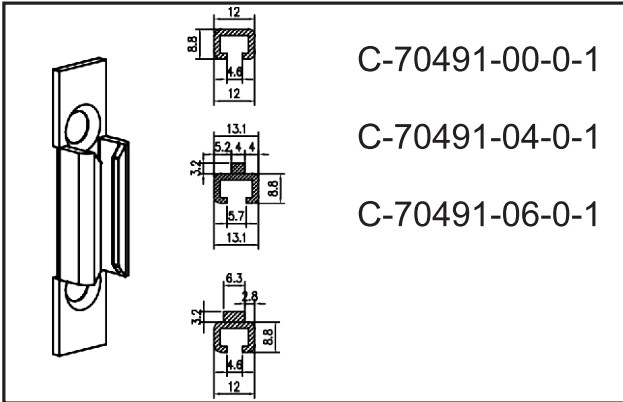
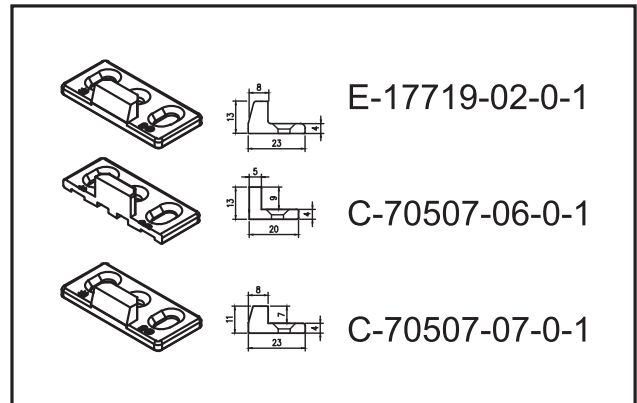
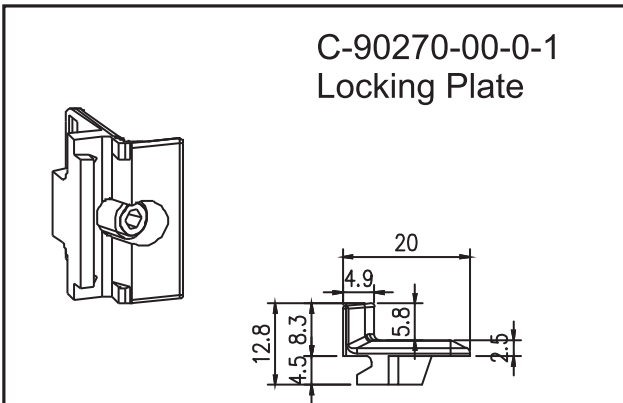
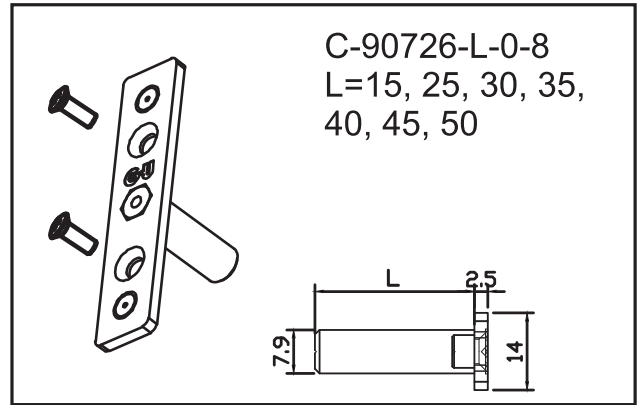
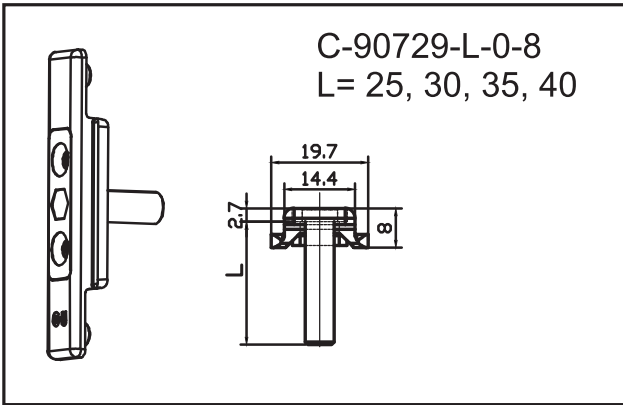
C-90275-00-0-1
LC height is 6.5mm

C-90275-05-0-1
LC height is 5.5mm

C-90275-08-0-1
LC height is 8mm

6-30984-00-0-1
Fork Carrier

5. Locking Cams & Strikers



6. Casement Door Hardware



Door height > 2.00 m

Door height ≤ 2.00 m

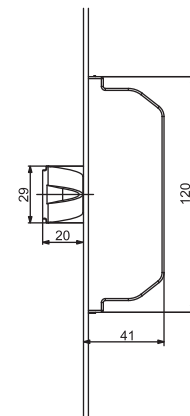
Door leaf:

- 1 = Multi-point lock
- 2 = Top extension piece or extension with additional lock

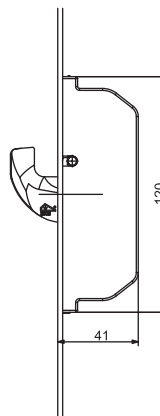
Door frame:

- 3 = Striker
- 4 = Latch & deadbolt striker

Massive bolt

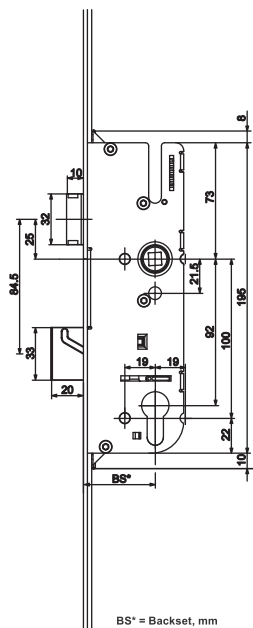


Hook bolt



Manual-locking locking systems

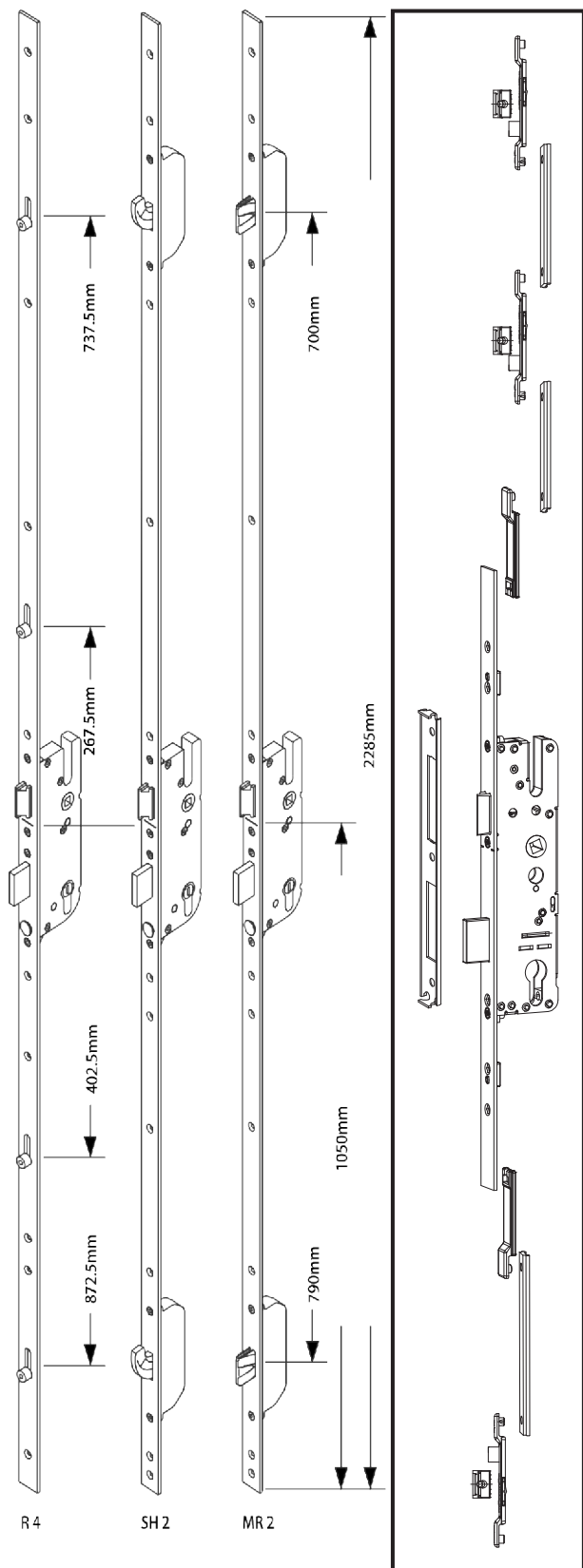
Main lock case



Roller-cam



6a. Casement Door Hardware Series

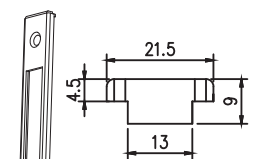
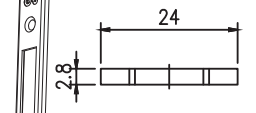
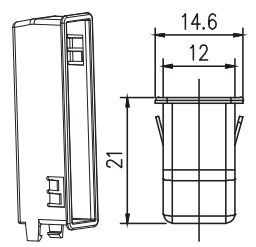


Security Europa - R4			
Backset [mm]	Faceplate [mm]	Follower [mm]	Order number
28	16	8	6-32231-02-0-1
30	16	8	6-32231-03-0-1
35	16	8	6-32231-01-0-1

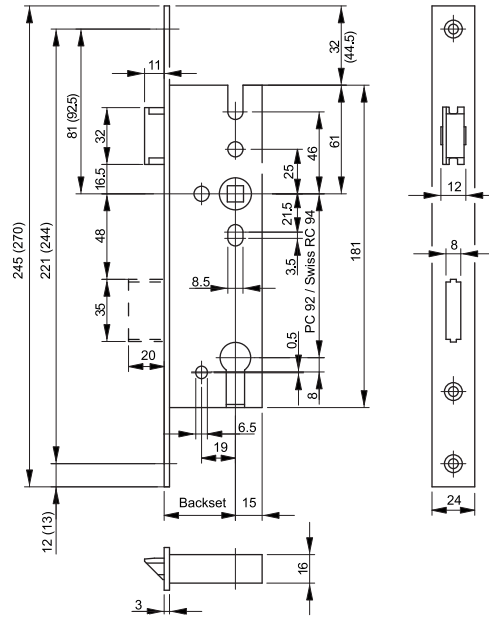
Security Europa - SH2			
Backset [mm]	Faceplate [mm]	Follower [mm]	Order number
35	16	8	6-32201-01-0-1
45	16	8	6-32201-02-0-1

Security Europa - MR2			
Backset [mm]	Faceplate [mm]	Follower [mm]	Order number
35	16	8	6-32217-01-0-1
45	16	8	6-32217-02-0-1

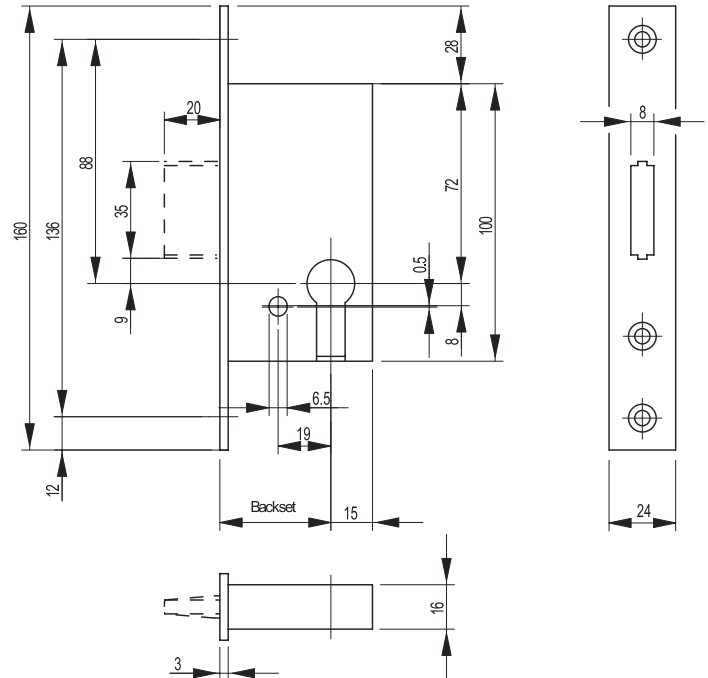
Narrow Stile Extendable Lock			
Backset [mm]	Faceplate [mm]	Follower [mm]	Order number
35	24	8	C-90812-35-0-8

Central Striker & Dead Bolt Keep	
	<p>C-93092-03-0-8 Latch Plate 14/18mm</p>
	<p>C-93092-00-0-8 Latch Plate 24X3mm</p>
	<p>9-48553-03-0-6 Dead Bolt Keep</p>

6b. Casement Door Mortize Lock /Dead Lock


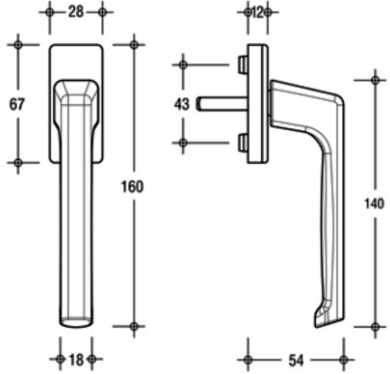

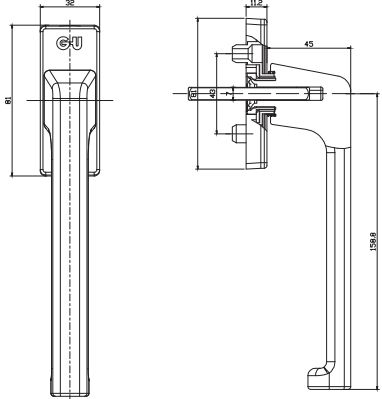

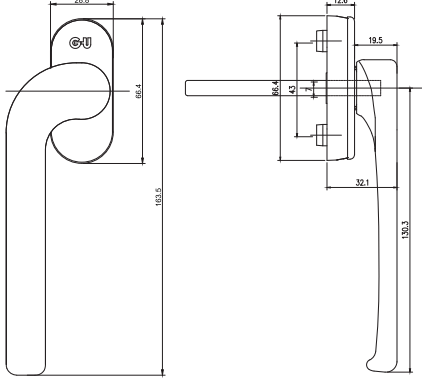

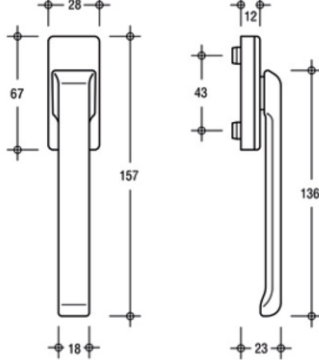


Narrow Stile -1314 Locks			
Backset [mm]	Faceplate [mm]	Follower [mm]	Order number
25	24	8	C-91314-25-0-8
30	24	8	C-91314-30-0-8
35	24	8	C-91314-35-0-8




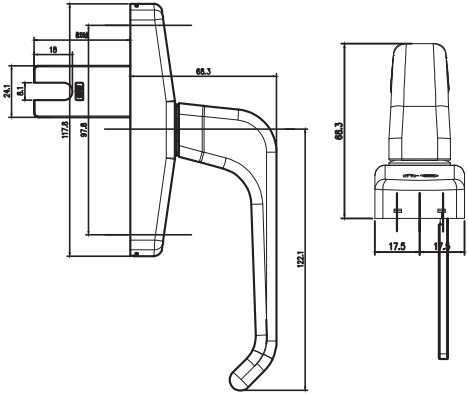

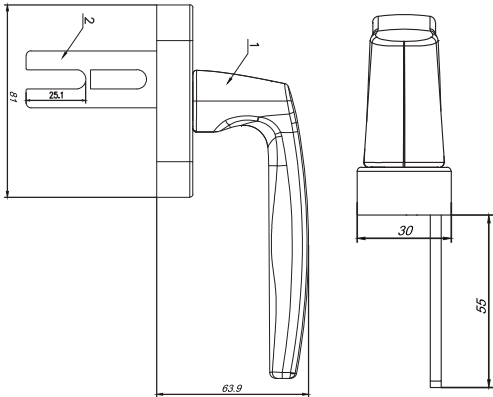

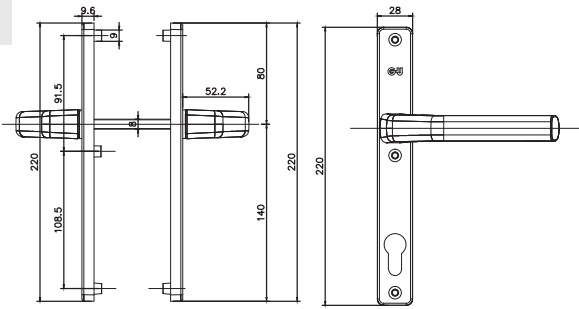
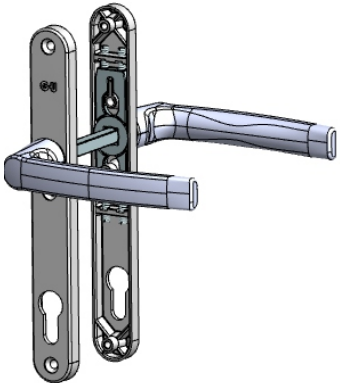
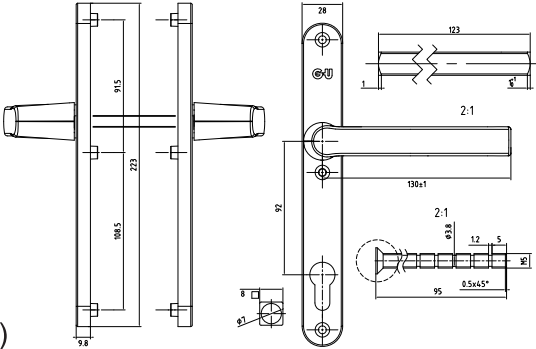
Dead bolt			
Backset [mm]	Faceplate [mm]	Follower [mm]	Order number
25	24	8	C-91308-25-0-8
30	24	8	C-91308-30-0-8
35	24	8	C-91308-35-0-8

7. Door & Window Handles

	<p>C-90603-**-0-*</p> <p>Dirigent Short Handle Suitable for sliding & inward windows/doors **-L-00, 25, 29, 33, 40 Female- C-90601-00-0- Spindle- 7X7</p>	 <p>Dimensions: 28, 67, 160, 18, 12, 43, 140, 54</p>
	<p>C-90613-**-0-*</p> <p>Dirigent Long Handle Suitable for sliding & inward windows/doors **-L-00, 25, 29, 33, 40 Female- C-90611-00-0- Spindle- 7X7</p>	 <p>Dimensions: 32, 6, 112, 45, 158.9</p>
	<p>C-90632-**-R/L-*</p> <p>Shortneck crank handle **-L- 65 Spindle-7X7</p>	 <p>Dimensions: 28.8, 18.5, 103.5, 12.6, 19.5, 32.1, 150.3</p>
	<p>6-28101-**-0*</p> <p>Dirigent Shortneck handle Spindle-7X7, needs to order separately</p>	 <p>Dimensions: 28, 67, 157, 18, 12, 43, 136, 23</p>


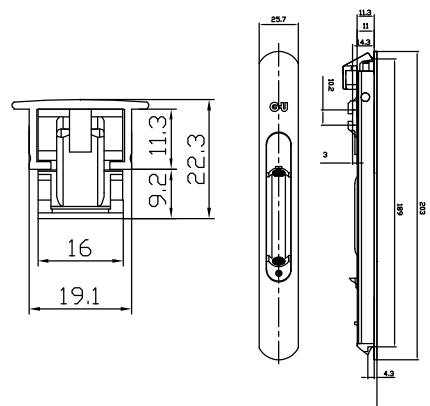

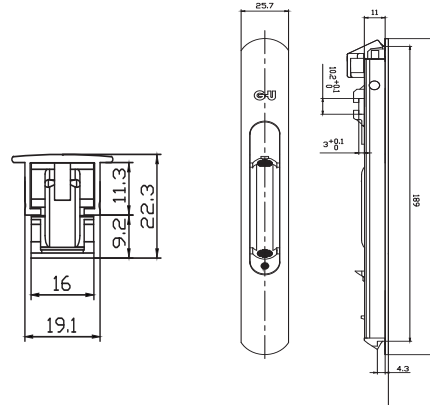

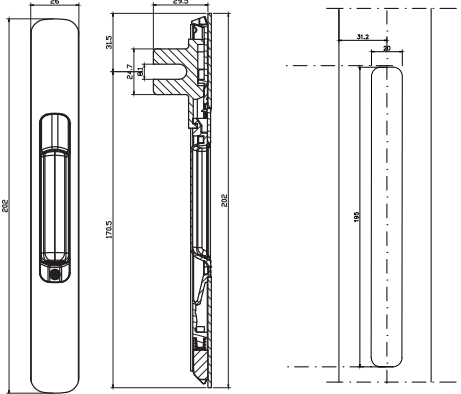
*-Colour -1=Silver, 5=Black Brown, 7=White

7. Door & Window Handles

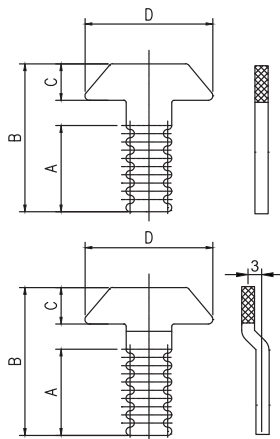
	<p>C-90205-00-0-*</p>	
	<p>C-90209-01-0-*</p>	
	<p>C-90623-00-0-*</p>	
	<p>C-90625-00-0-*</p>	

*-Colour -1=Silver, 5=Black Brown, 7=White

7. Door & Window Handles

	<p>GUIN20190725-01</p>	<p>Touch lock automatic</p> 
	<p>C-90121-01-0-*</p>	<p>Touch lock manual</p> 
	<p>C-90123-30-0-*</p>	<p>Inline MA with Fork 30mm</p> 

*-Colour -1=Silver, 5=Black Brown, 7=White

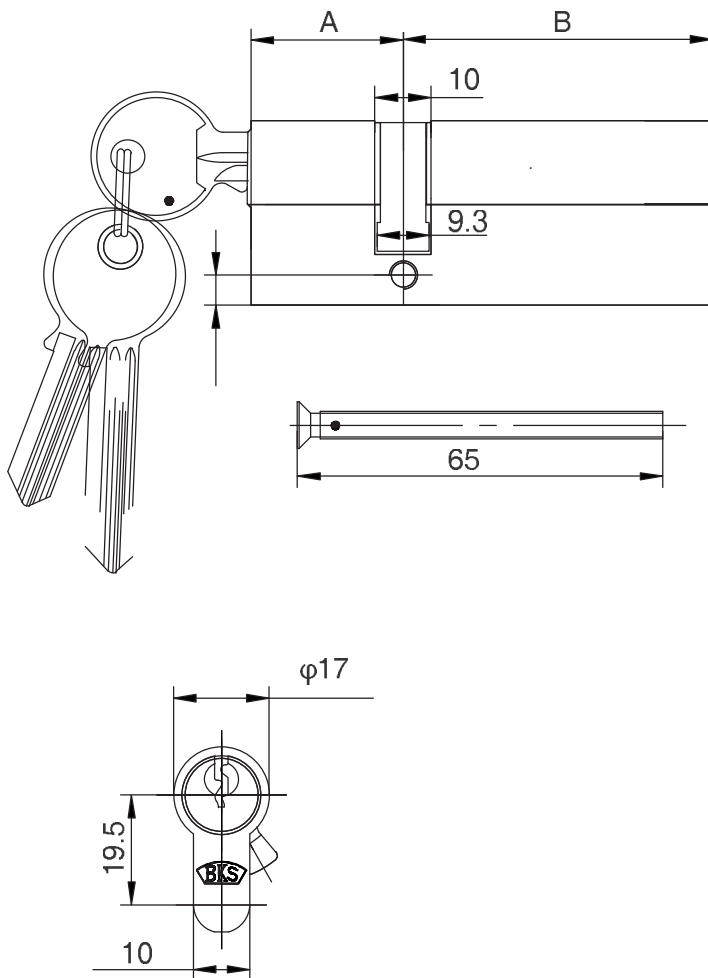


Article No.	A	B	C	D
C-70347-01-0-8	18.9	32.4	8	28
C-70347-03-0-8	29.7	44	8	28
C-70347-05-0-8	29.7	42.5	6.5	28
C-70347-07-0-8	18.9	32.4	6.5	28

Article No.	A	B	C	D
C-70347-02-0-8	18.9	32.4	8	28
C-70347-04-0-8	29.7	44	8	28
C-70347-06-0-8	29.7	42.5	6.5	28
C-70347-08-0-8	18.9	32.4	6.5	28

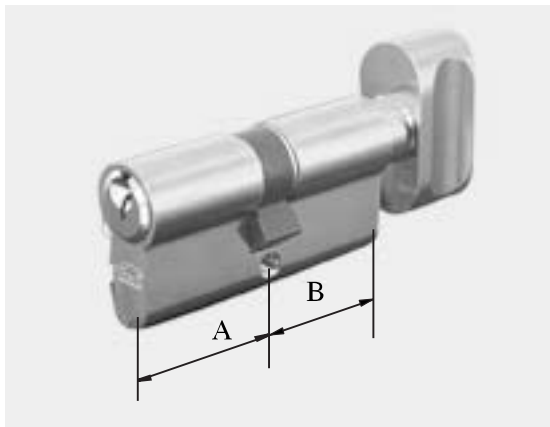
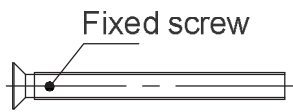
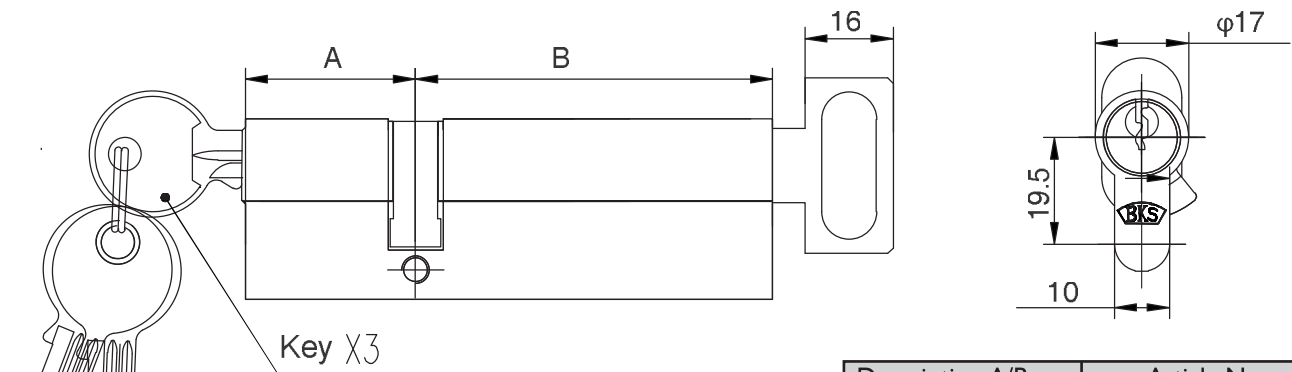
8a. Standard Lock Cylinder 59

Standard lock cylinder 59 cover, cylinder body are made of copper, nickle plating surface is polished, copper core axis, 3 copper alloy keys M5x65 stainless screws, mushroom block, high-strength copper alloy spring. Packing: each box has one lock core, three keys, one M5x65 stainless steel screw.

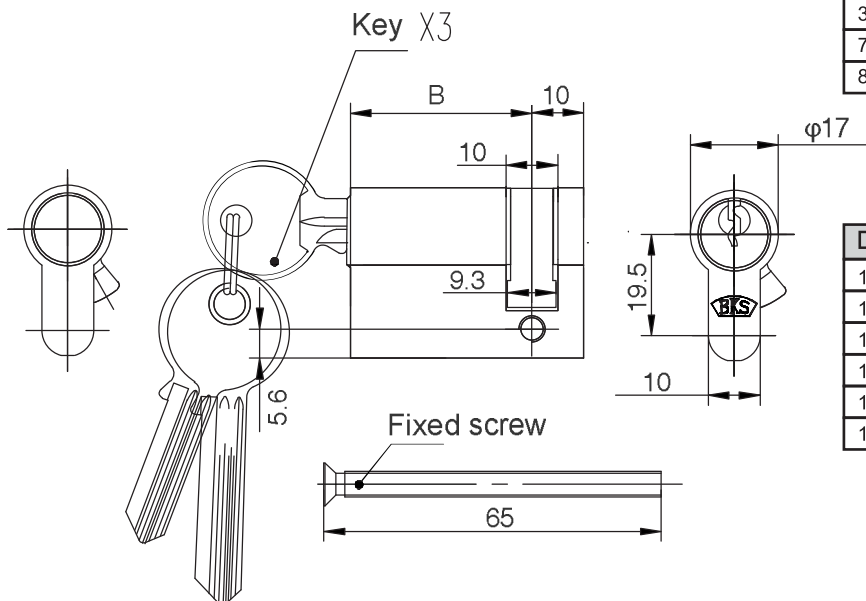


Description A/B	Article No.
27/65 Double lock cylinder	C-B2765-59-0-1H
31/55 Double lock cylinder	C-B3155-59-0-1H
31/65 Double lock cylinder	C-B3165-59-0-1H
35/65 Double lock cylinder	C-B3565-59-0-1H
35/70 Double lock cylinder	C-B3570-59-0-1H
40/60 Double lock cylinder	C-B4060-59-0-1H
31/31 Double lock cylinder	C-B3131-59-0-1H
31/35 Double lock cylinder	C-B3135-59-0-1H
31/40 Double lock cylinder	C-B3140-59-0-1H
31/45 Double lock cylinder	C-B3145-59-0-1H
31/50 Double lock cylinder	C-B3150-59-0-1H
35/35 Double lock cylinder	C-B3535-59-0-1H
35/40 Double lock cylinder	C-B3540-59-0-1H
35/45 Double lock cylinder	C-B3545-59-0-1H
35/50 Double lock cylinder	C-B3550-59-0-1H
35/55 Double lock cylinder	C-B3555-59-0-1H
40/40 Double lock cylinder	C-B4040-59-0-1H
40/45 Double lock cylinder	C-B4045-59-0-1H
40/50 Double lock cylinder	C-B4050-59-0-1H
40/55 Double lock cylinder	C-B4055-59-0-1H
45/45 Double lock cylinder	C-B4545-59-0-1H
45/50 Double lock cylinder	C-B4550-59-0-1H
45/55 Double lock cylinder	C-B4555-59-0-1H
35/65 Double lock cylinder	C-B3565-59-0-1H
31/60 Double lock cylinder	C-B3160-59-0-1H
45/60 Double lock cylinder	C-B4560-59-0-1H
50/50 Double lock cylinder	C-B5050-59-0-1H
31/70 Double lock cylinder	C-B3170-59-0-1H
31/75 Double lock cylinder	C-B3175-59-0-1H
31/80 Double lock cylinder	C-B3180-59-0-1H
35/60 Double lock cylinder	C-B3560-59-0-1H
35/75 Double lock cylinder	C-B3575-59-0-1H
35/80 Double lock cylinder	C-B3580-59-0-1H
40/65 Double lock cylinder	C-B4065-59-0-1H
40/70 Double lock cylinder	C-B4070-59-0-1H
40/75 Double lock cylinder	C-B4075-59-0-1H
45/65 Double lock cylinder	C-B4565-59-0-1H
45/70 Double lock cylinder	C-B4570-59-0-1H

8b. Standard Lock Cylinder 59

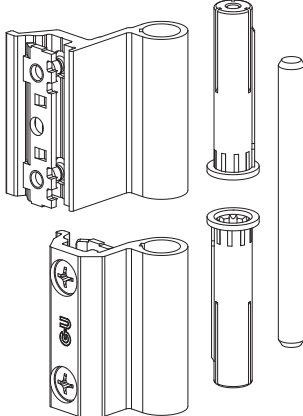
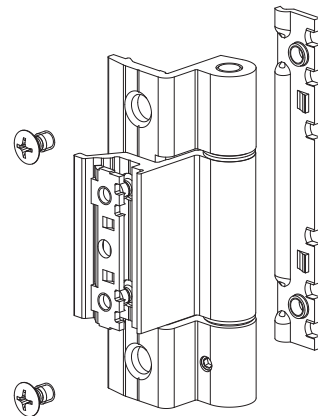
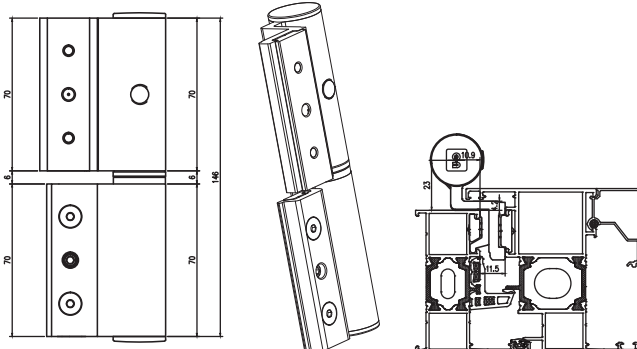
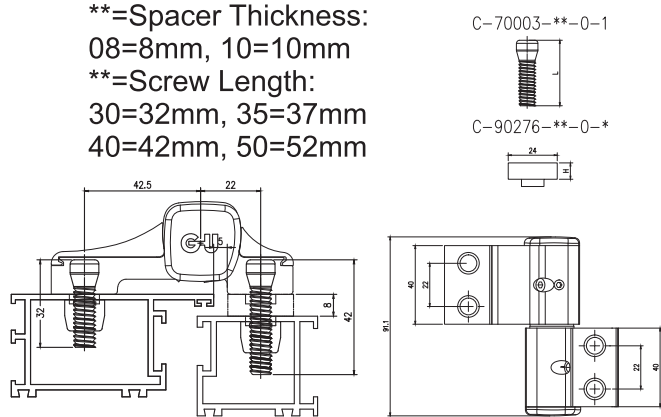
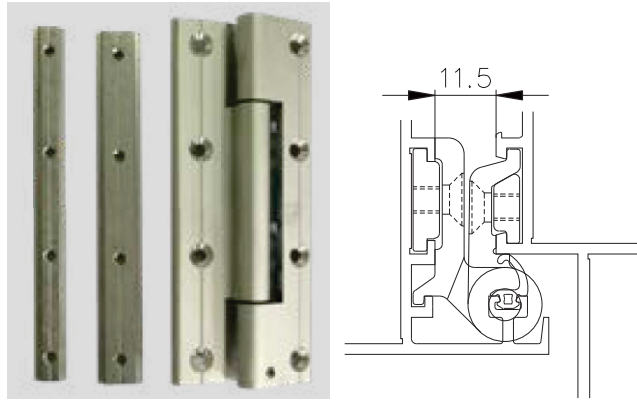
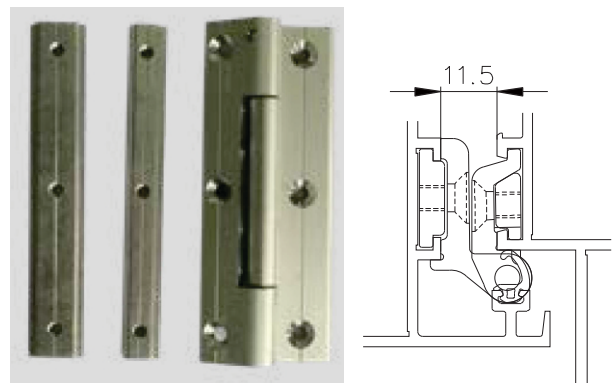


Description A/B	Article No.
27/65 Knob lock cylinder	C-B2765-59-T-1H
31/31 Knob lock cylinder	C-B3131-59-T-1H
31/65 Knob lock cylinder	C-B3165-59-T-1H
31/70 Knob lock cylinder	C-B3170-59-T-1H
35/35 Knob lock cylinder	C-B3535-59-T-1H
35/50 Knob lock cylinder	C-B3550-59-T-1H
40/40 Knob lock cylinder	C-B4040-59-T-1H
50/35 Knob lock cylinder	C-B5035-59-T-1H
50/50 Knob lock cylinder	C-B5050-59-T-1H
60/40 Knob lock cylinder	C-B6040-59-T-1H
70/31 Knob lock cylinder	C-B7031-59-T-1H
70/35 Knob lock cylinder	C-B7035-59-T-1H
31/35 Knob lock cylinder	C-B31351-59-T-1H
31/40 Knob lock cylinder	C-B3140-59-T-1H
31/45 Knob lock cylinder	C-B3145-59-T-1H
31/50 Knob lock cylinder	C-B3150-59-T-1H
31/55 Knob lock cylinder	C-B3155-59-T-1H
31/60 Knob lock cylinder	C-B3160-59-T-1H
31/75 Knob lock cylinder	C-B3175-59-T-1H
31/80 Knob lock cylinder	C-B3180-59-T-1H
35/40 Knob lock cylinder	C-B3540-59-T-1H
35/45 Knob lock cylinder	C-B3545-59-T-1H
35/55 Knob lock cylinder	C-B3555-59-T-1H
35/60 Knob lock cylinder	C-B3560-59-T-1H
35/65 Knob lock cylinder	C-B3565-59-T-1H
35/70 Knob lock cylinder	C-B3570-59-T-1H
75/40 Knob lock cylinder	C-B7540-59-T-1H
80/31 Knob lock cylinder	C-B8031-59-T-1H



Description A/B	Article No.
10/30 Half lock cylinder	C-B3110-59-T-1H
10/35 Half lock cylinder	C-B3510-59-T-1H
10/40 Half lock cylinder	C-B4010-59-T-1H
10/45 Half lock cylinder	C-B4510-59-T-1H
10/50 Half lock cylinder	C-B5010-59-T-1H
10/55 Half lock cylinder	C-B5510-59-T-1H

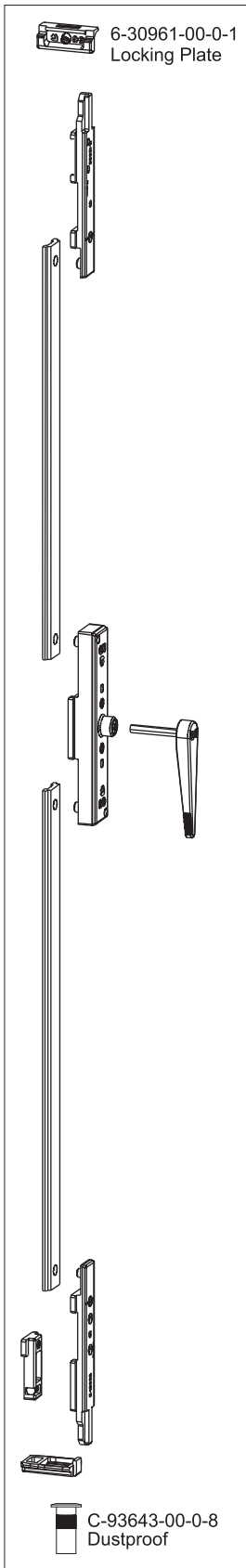
9. Door & Window Hinges

<p>K-15820-00-0-* 2 Part Hinges Loading Capacity 80kg/3PCS</p> 	<p>K-15887-00-0-* 3 Part Hinges Loading Capacity 100kg/3PCS</p> 
<p>C-H0060-00-0-* 3D Adjustable Hinges Loading Capacity 120kg/3PCS</p> 	<p>C-H0050-00-0-* 3D Adjustable Hinges Loading Capacity 120kg/3PCS</p> <p>**=Spacer Thickness: 08=8mm, 10=10mm **=Screw Length: 30=32mm, 35=37mm 40=42mm, 50=52mm</p>  <p>C-70003-**-0-1 C-90276-**-0-*</p>
<p>K-17998-00-0-1 Door Concealed Hinges Loading Capacity 250kg/3PCS</p> 	<p>C-18008-00-0-1 Door Concealed Hinges Loading Capacity 120kg/3PCS</p> 

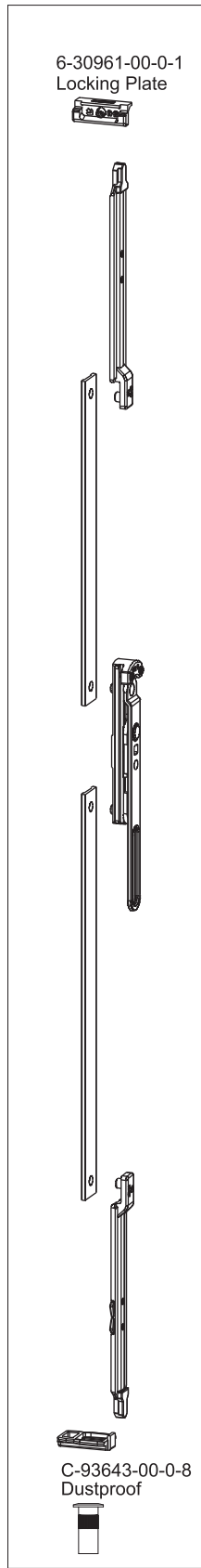
* = Colour : 1= Silver, 5= Dark Brown, 6= Black, 7= White

10. Door & Window Shoot Bolts

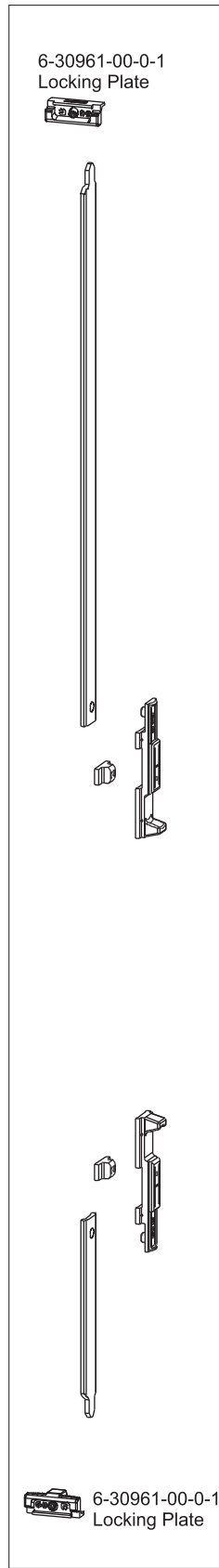
K-19589-00-0-1
Lever Operated Gear Set



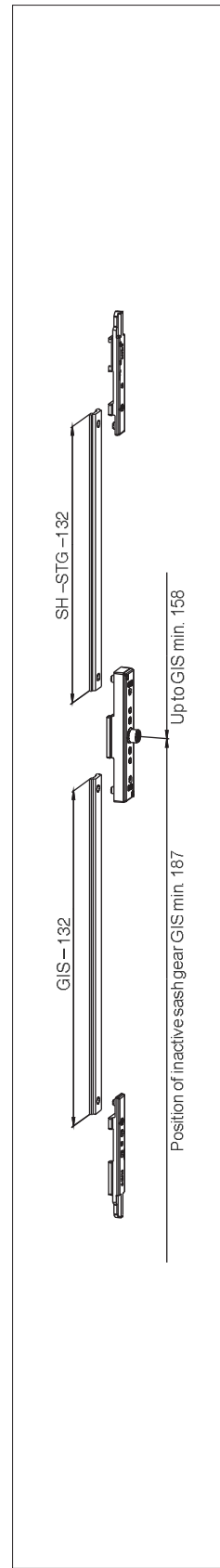
K-18568-00-0-1
Bag of Rebate Shoot Bolt



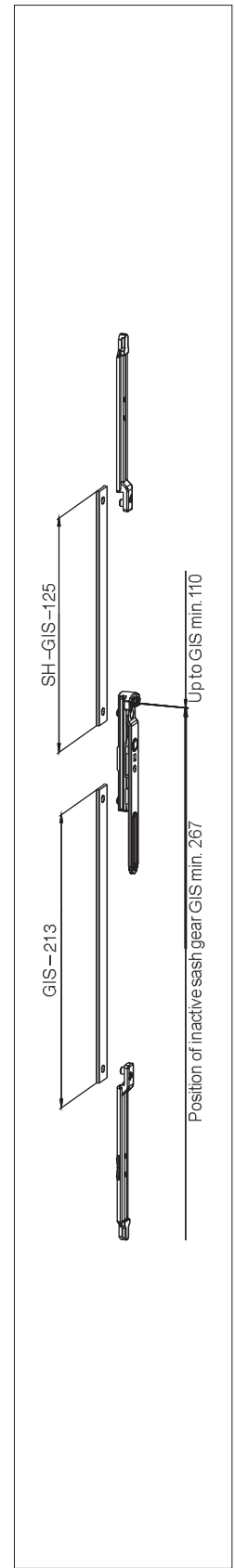
K-15816-00-0-1
Shoot Bolt
K-15817-00-0-1
Bolt Rod Set



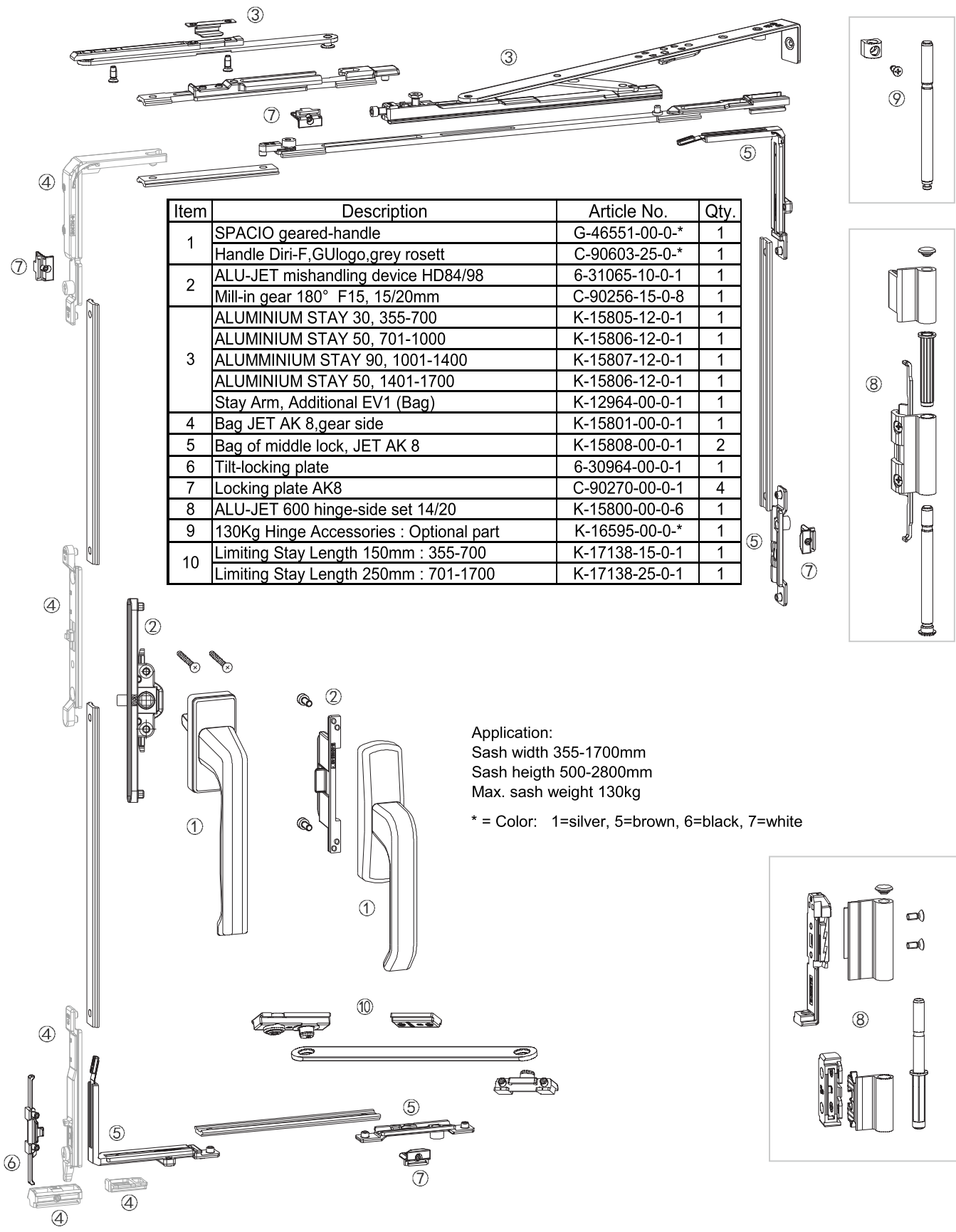
Driving Rod
Cutting Dimensions
K-19589-00-0-1



Driving Rod
Cutting Dimensions
K-18568-00-0-1



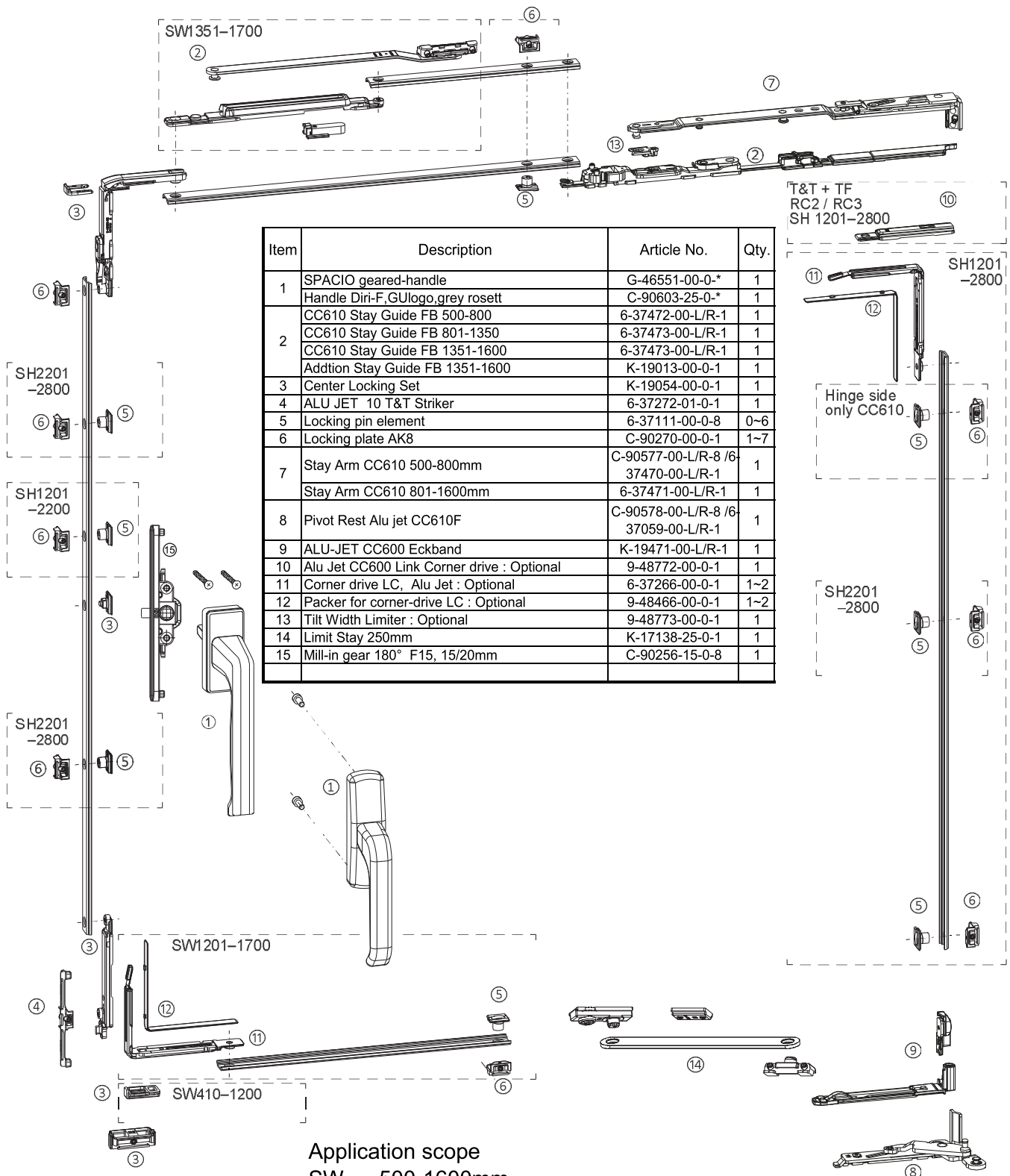
11a. JET AK8 Tilt&Turn Hardware - Visible



Item	Description	Article No.	Qty.
1	SPACIO geared-handle	G-46551-00-0.*	1
	Handle Diri-F, GUlogo, grey rosett	C-90603-25-0.*	1
2	ALU-JET mishandling device HD84/98	6-31065-10-0-1	1
	Mill-in gear 180° F15, 15/20mm	C-90256-15-0-8	1
3	ALUMINIUM STAY 30, 355-700	K-15805-12-0-1	1
	ALUMINIUM STAY 50, 701-1000	K-15806-12-0-1	1
	ALUMINIUM STAY 90, 1001-1400	K-15807-12-0-1	1
	ALUMINIUM STAY 50, 1401-1700	K-15806-12-0-1	1
	Stay Arm, Additional EV1 (Bag)	K-12964-00-0-1	1
4	Bag JET AK 8, gear side	K-15801-00-0-1	1
5	Bag of middle lock, JET AK 8	K-15808-00-0-1	2
6	Tilt-locking plate	6-30964-00-0-1	1
7	Locking plate AK8	C-90270-00-0-1	4
8	ALU-JET 600 hinge-side set 14/20	K-15800-00-0-6	1
	130Kg Hinge Accessories : Optional part	K-16595-00-0.*	1
	Limiting Stay Length 150mm : 355-700	K-17138-15-0-1	1
	Limiting Stay Length 250mm : 701-1700	K-17138-25-0-1	1

Application:
 Sash width 355-1700mm
 Sash height 500-2800mm
 Max. sash weight 130kg
 * = Color: 1=silver, 5=brown, 6=black, 7=white

11b. CC610/CC610F Tilt&Turn Hardware - Concealed

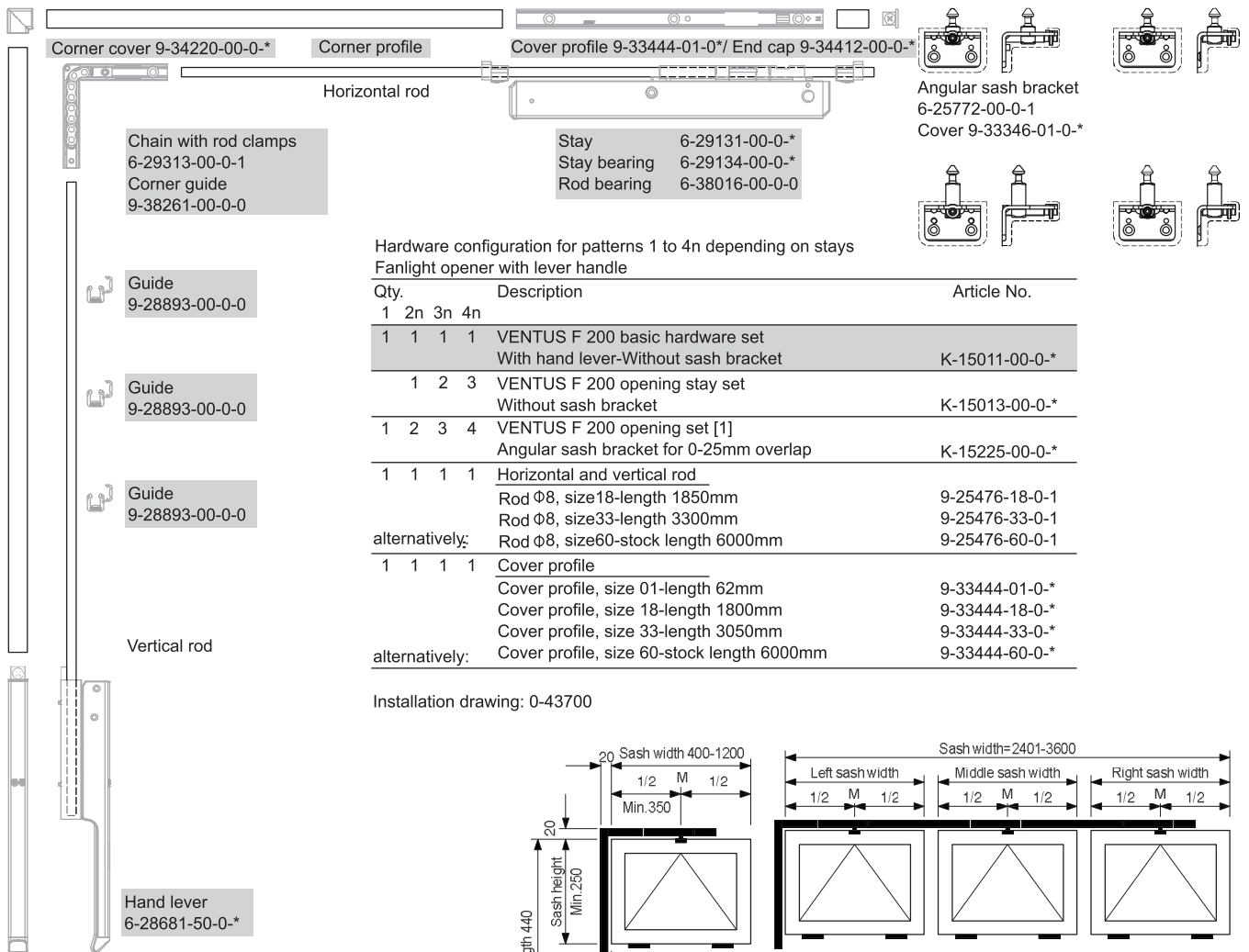


Item	Description	Article No.	Qty.
1	SPACIO geared-handle	G-46551-00-0-*	1
	Handle Diri-F, GUlogo, grey rosett	C-90603-25-0-*	1
2	CC610 Stay Guide FB 500-800	6-37472-00-L/R-1	1
	CC610 Stay Guide FB 801-1350	6-37473-00-L/R-1	1
	CC610 Stay Guide FB 1351-1600	6-37473-00-L/R-1	1
	Addition Stay Guide FB 1351-1600	K-19013-00-0-1	1
3	Center Locking Set	K-19054-00-0-1	1
4	ALU JET 10 T&T Striker	6-37272-01-0-1	1
5	Locking pin element	6-37111-00-0-8	0-6
6	Locking plate AK8	C-90270-00-0-1	1-7
7	Stay Arm CC610 500-800mm	C-90577-00-L/R-8 /6-37470-00-L/R-1	1
	Stay Arm CC610 801-1600mm	6-37471-00-L/R-1	1
8	Pivot Rest Alu jet CC610F	C-90578-00-L/R-8 /6-37059-00-L/R-1	1
9	ALU-JET CC600 Eckband	K-19471-00-L/R-1	1
10	Alu Jet CC600 Link Corner drive : Optional	9-48772-00-0-1	1
11	Corner drive LC, Alu Jet : Optional	6-37266-00-0-1	1-2
12	Packer for corner-drive LC : Optional	9-48466-00-0-1	1-2
13	Tilt Width Limiter : Optional	9-48773-00-0-1	1
14	Limit Stay 250mm	K-17138-25-0-1	1
15	Mill-in gear 180° F15, 15/20mm	C-90256-15-0-8	1

Application scope
 SW : 500-1600mm
 SH : 500-2800mm
 Weight : 150kg
 * = Color: 1=silver, 5=brown, 6=black, 7=white

12. VENTUS F200 Fanlight Opener

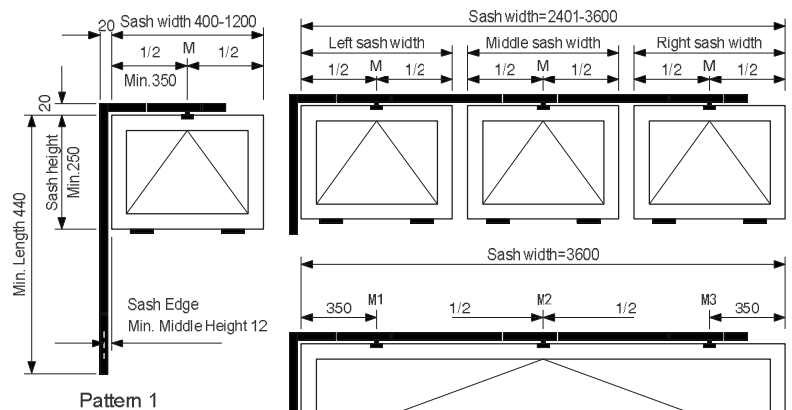
Bottom-hung fanlight standard version-with hand lever



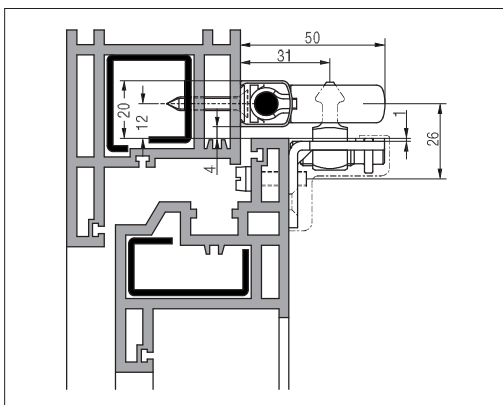
Hardware configuration for patterns 1 to 4n depending on stays
Fanlight opener with lever handle

Qty.	1	2n	3n	4n	Description	Article No.
	1	1	1	1	VENTUS F 200 basic hardware set With hand lever-Without sash bracket	K-15011-00-0-*
		1	2	3	VENTUS F 200 opening stay set Without sash bracket	K-15013-00-0-*
	1	2	3	4	VENTUS F 200 opening set [1] Angular sash bracket for 0-25mm overlap	K-15225-00-0-*
	1	1	1	1	Horizontal and vertical rod Rod Ø8, size18-length 1850mm Rod Ø8, size33-length 3300mm Rod Ø8, size60-stock length 6000mm	9-25476-18-0-1 9-25476-33-0-1 9-25476-60-0-1
alternatively:					Cover profile Cover profile, size 01-length 62mm Cover profile, size 18-length 1800mm Cover profile, size 33-length 3050mm Cover profile, size 60-stock length 6000mm	9-33444-01-0-0- 9-33444-18-0-0- 9-33444-33-0-0- 9-33444-60-0-0-*

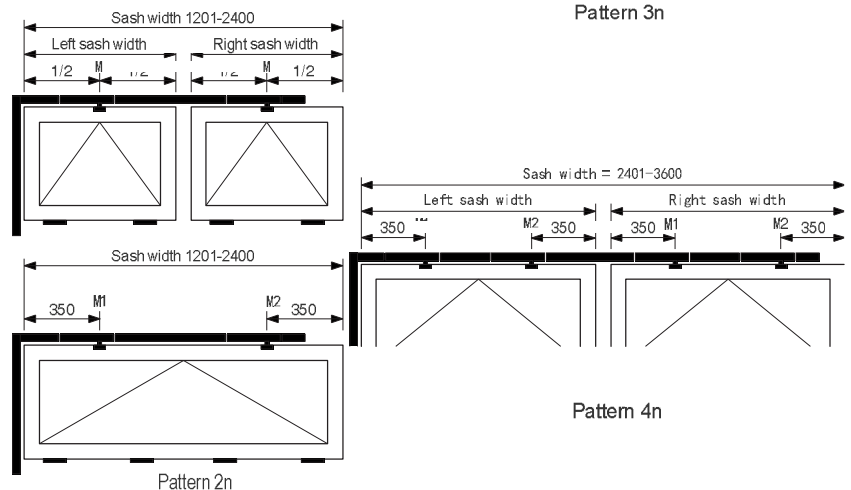
Installation drawing: 0-43700



Installation size Side-hung

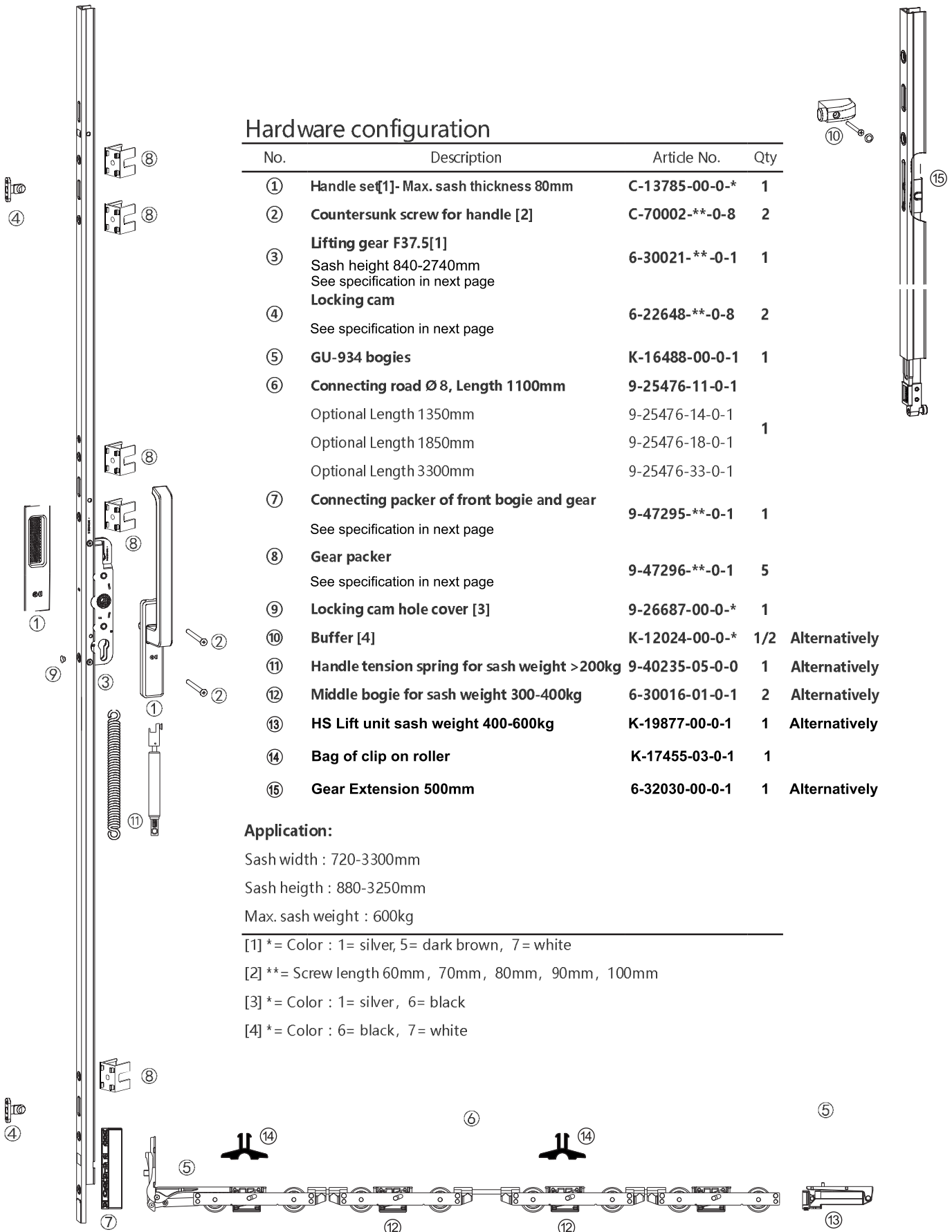


PVC VENTUS F 200 fanlight opener



13a. GU-934 Lift & Sliding Hardwares

One -sash lift-sliding hardware up to 600kg



Hardware configuration

No.	Description	Article No.	Qty	
①	Handle set[1]- Max. sash thickness 80mm	C-13785-00-0-*	1	
②	Countersunk screw for handle [2]	C-70002-**-0-8	2	
③	Lifting gear F37.5[1] Sash height 840-2740mm See specification in next page	6-30021-**-0-1	1	
④	Locking cam See specification in next page	6-22648-**-0-8	2	
⑤	GU-934 bogies	K-16488-00-0-1	1	
⑥	Connecting road Ø 8, Length 1100mm Optional Length 1350mm Optional Length 1850mm Optional Length 3300mm	9-25476-11-0-1 9-25476-14-0-1 9-25476-18-0-1 9-25476-33-0-1	1	
⑦	Connecting packer of front bogie and gear See specification in next page	9-47295-**-0-1	1	
⑧	Gear packer See specification in next page	9-47296-**-0-1	5	
⑨	Locking cam hole cover [3]	9-26687-00-0-*	1	
⑩	Buffer [4]	K-12024-00-0-*	1/2	Alternatively
⑪	Handle tension spring for sash weight >200kg	9-40235-05-0-0	1	Alternatively
⑫	Middle bogie for sash weight 300-400kg	6-30016-01-0-1	2	Alternatively
⑬	HS Lift unit sash weight 400-600kg	K-19877-00-0-1	1	Alternatively
⑭	Bag of clip on roller	K-17455-03-0-1	1	
⑮	Gear Extension 500mm	6-32030-00-0-1	1	Alternatively

Application:

Sash width : 720-3300mm

Sash height : 880-3250mm

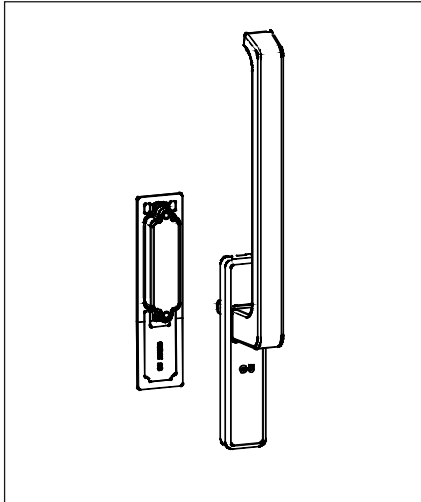
Max. sash weight : 600kg

[1] *= Color : 1= silver, 5= dark brown, 7= white

[2] **= Screw length 60mm, 70mm, 80mm, 90mm, 100mm

[3] *= Color : 1= silver, 6= black

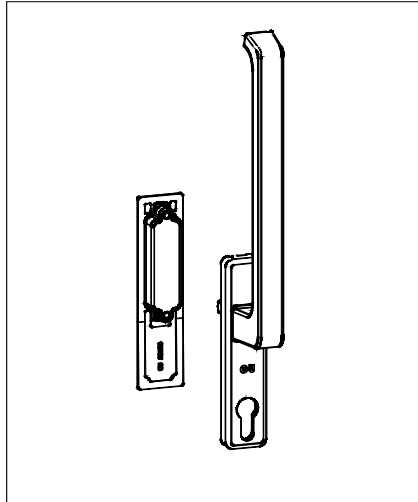
[4] *= Color : 6= black, 7= white



C-13785-00-0*

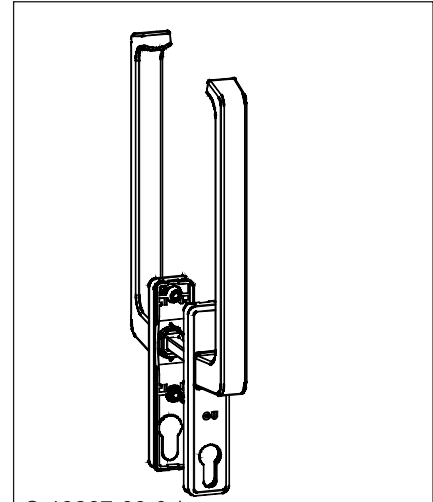
1 DIRIGENT Handle without cylinder hole (inside)
1 Flush pull (outside)
Handle length 240mm
Spindle 10mmx10mm, length 80mm

*=color: 1=silver, 5L=brown, 6=black, 7=white



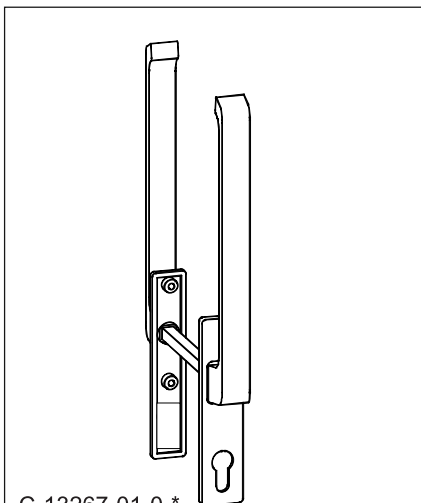
C-13266-00-0*

1 DIRIGENT Handle with cylinder hole (inside)
1 Flush pull (outside)
Handle length 240mm
Spindle 10mmx10mm, length 80mm



C-13267-00-0*

1 DIRIGENT Handle with cylinder hole (inside)
Handle length 240mm
Spindle 10mmx10mm, length 80mm



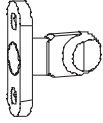
C-13267-01-0*

1 DIRIGENT Handle with cylinder hole (inside)
1 DIRIGENT Handle without cylinder hole (outside)
Handle length 240mm
Spindle 10mmx10mm, length 145mm

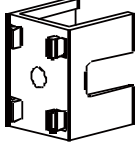
GU-934 lift-locking gear

Length G	Sash height	Article No.
1190 ~ 410	750-1295	6-30021-11-0-1
1770 ~ 410	1165-1795	6-30021-19-0-1
2270 ~ 1010	1795-2295	6-30021-24-0-1
2670 ~ 1010	2045-2645	6-30021-28-0-1


Dimension of locking cam clearance

	Dimension (mm)	Article No.
	5.5	6-22648-01-0-8
	6.5	6-22648-02-0-8
	8.5	6-22648-03-0-8
	9.5	6-22648-04-0-8
	11.0	6-22648-05-0-8
	13.0	6-22648-06-0-8

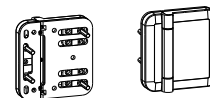
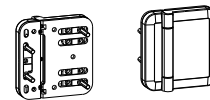
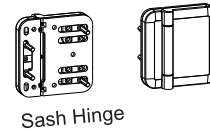
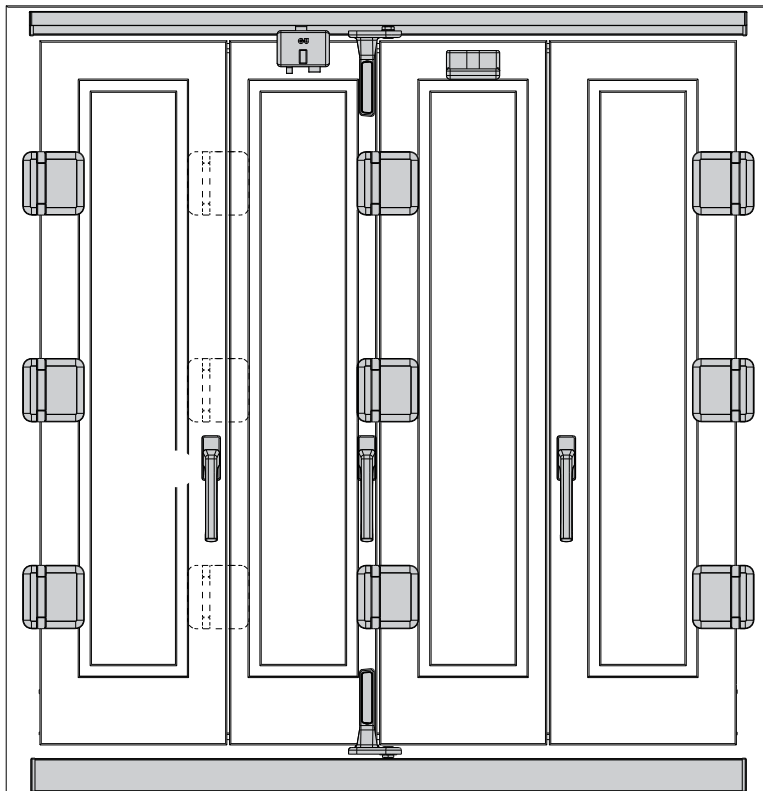
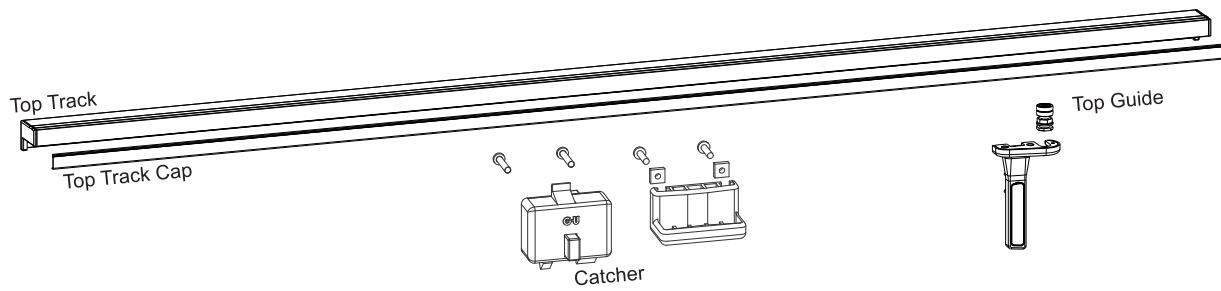
Dimension of spacer for gear

	Dimension (mm)	Article No.
	18	9-47296-07-0-1
	21	9-47296-10-0-1
	22	9-47296-11-0-1
	23	9-47296-12-0-1
	24.5	9-47296-13-0-1
	27	9-47296-16-0-1

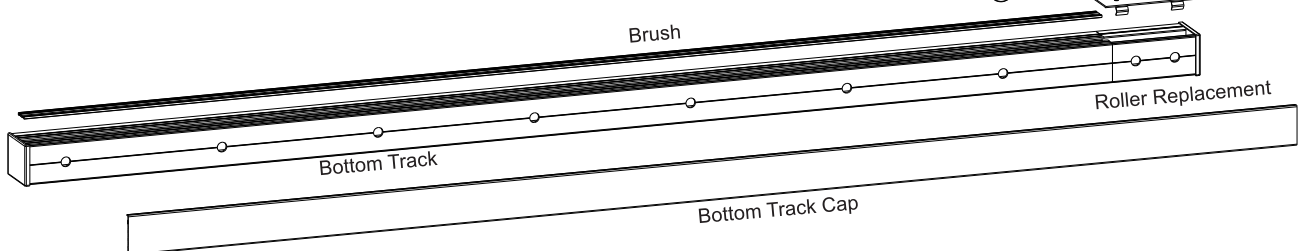
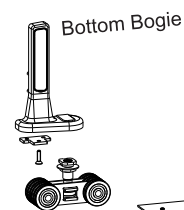
Dimension of spacer for runner

	Dimension (mm)	Article No.
	18	9-47295-06-0-1
	21	9-47295-09-0-1
	22	9-47295-10-0-1
	23	9-47295-11-0-1
	24.5	9-47295-12-0-1
	27	9-47295-13-0-1

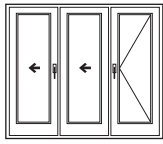
14. GU-923 Fold & Slide Hardwares



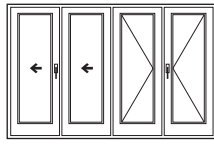
System Limitation	
Sash Width (mm)	500-1000
Sash Height (mm)	850-2450
Sash Weight (kg)	130



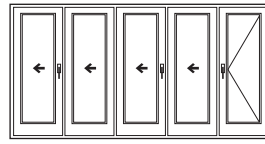
14a. GU-923 Fold & Slide Patterns



Pattern 321 [1]
2 Fold&Slide sashes
1 Turn-Only sash



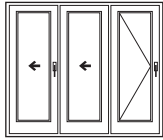
Pattern 431 [1]
2 Fold&Slide sashes
1 Turn-Only dummy mullion sash,
1 Turn-Only sash



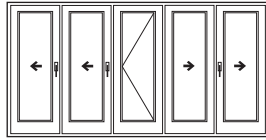
Pattern 541 [1]
4 Fold&Slide sashes
1 Turn-Only sash

[1] Passage leaf also as
Tilt&Turn sash
– with sash hinges and
UNI-JET Turn-Only
locking system
– with UNI-JET Turn-Only
hardware

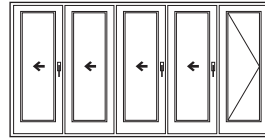
[2] A passage leaf is
recommended, especially
for use in winter



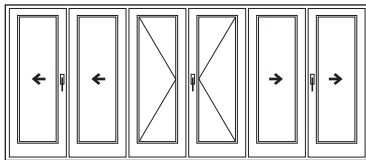
Pattern 330
2 Fold&Slide sashes
1 Turn-Only sash



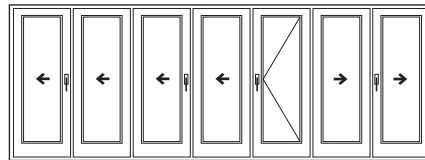
Pattern 532
4 Fold&Slide sashes
1 Turn-Only sash



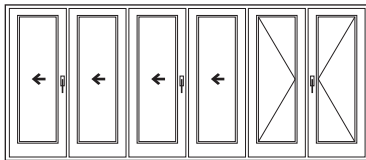
Pattern 550
4 Fold&Slide sashes
1 Turn-Only sash



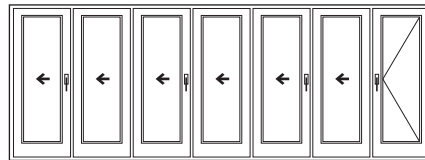
Pattern 633
4 Fold&Slide sashes
1 Turn-Only dummy mullion sash,
1 Turn-Only sash



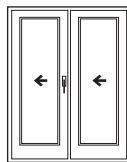
Pattern 743
6 Fold&Slide sashes
1 Turn-Only sash



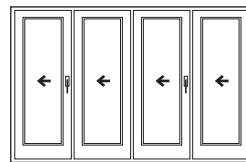
Pattern 651 [1]
4 Fold&Slide sashes
1 Turn-Only dummy mullion sash,
1 Turn-Only sash



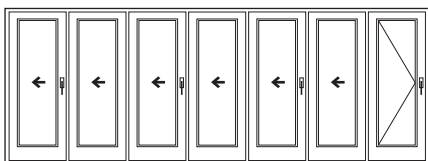
Pattern 761 [1]
6 Fold&Slide sashes
1 Turn-Only sash



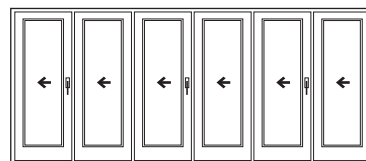
Pattern 220[2]



Pattern 440[2]
4 Fold&Slide sashes



Pattern 770
6 Fold&Slide sashes
1 Turn-Only sash



Pattern 660[2]
6 Fold&Slide sashes

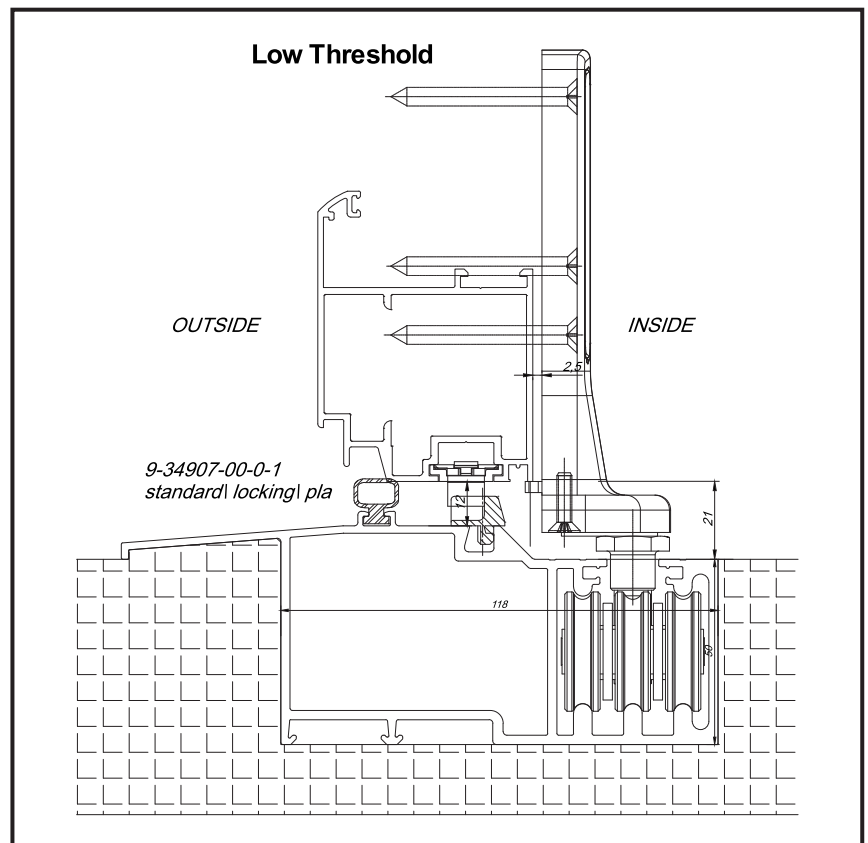
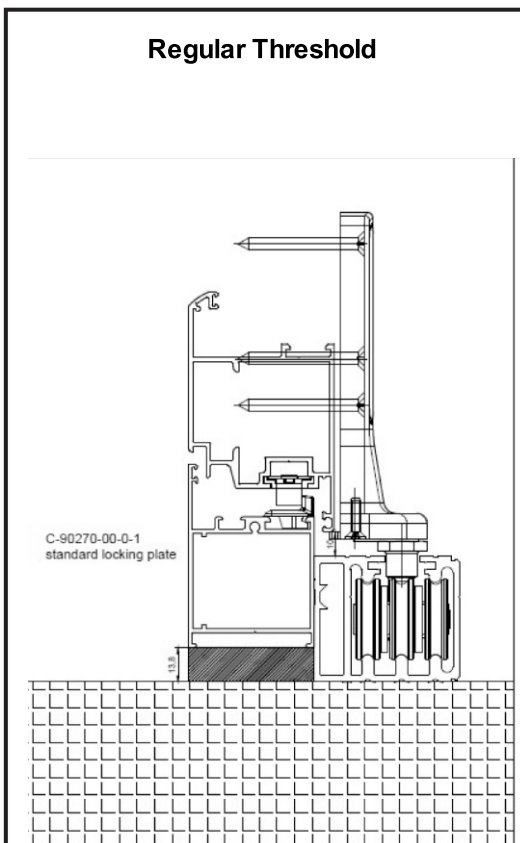
14b. GU-923 Fold & Slide List of Hardware

GU823 folding door hardware configuration

Spindle Handle

Sr. No	Description	Article #	Unit	Pattern												
				220	330	321	431	440	541	550	633	651	660	770	743	761
1	BASIC BOX GU 923	K-18391-00-0*	SE	1	1	1	1	2	2	2	2	2	2	3	3	3
2	SF SASH HINGE COMPLETE GU 923	K-18394-50-0*	SE	1	2	1	2	3	3	4	4	4	5	6	5	5
3	Bag of axial hinge, 93mm, 3-part, 14/18	K-15887-00-0*	SE	3	3	6	6	3	6	3	6	6	3	3	6	6
4	GU THRESHOULD 923 PROFILE 3M	K-18395-30-0*	SE	1	1	1										
	GU THRESHOULD 923 PROFILE 4.5M	K-18395-45-0*	SE				1	1	1	1						
	GU THRESHOULD 923 PROFILE 6M	K-18395-60-0*	SE								1	1	1	1	1	1
	GU LOW THRESHOULD 923 3M	I-18395-30-0*	SE	1	1	1										
	GU LOW THRESHOULD 923 4.5M	I-18395-45-0*	SE				1	1	1	1						
	GU LOW THRESHOULD 923 6M	I-18395-60-0*	SE								1	1	1	1	1	1
5	Handle Diri-F, GUlogo, grey rosett	C-90603-25-0*	EA		1	1	1		1	1	1	1		1	1	1
6	Flat Handle	GUGZ20171012	EA	1	1	1	2	2	2	2	3	3	3	3	3	3
7	Counter sunk screw, GB 819-85 M5X40	C-70001-40-0-8	EA	2	4	4	6	4	6	6	8	8	6	8	8	8
8	Casement Mill-in gear, F25	C-90259-30-0-8	EA	1	2	2	3	2	3	3	4	4	3	4	4	4
9	Corner transmission	6-24529-00-0-1	EA	2	4	4	6	4	6	6	8	8	6	8	8	8
10	LOCKING PIN ALU-JET 10	6-37111-00-0-8	EA		4	4	4		4	4	4	4		4	4	4
11	*Krt. SF Faltfolgeregler GU 823	K-18936-10-0-6	SE		1		1			1	2	1		1	1	
12	Locking plate AK8	C-90270-00-0-1	EA	2	8	8	10	4	10	10	12	14	6	14	14	14
13	LOCKING PLATE Low threshold	9-34907-00-0-1	EA	1	2	2	3	2	3	3	4	3	3	4	4	4
14	ALU-JET 10 conn. rod profile 15/20	C-80101-60-0-1	M	2.4	4.8	4.8	7.2	4.8	7.2	7.2	9.6	7.2	7.2	9.6	9.6	9.6

* = Color: 1=silver, 5=brown, 6=black, 7=white

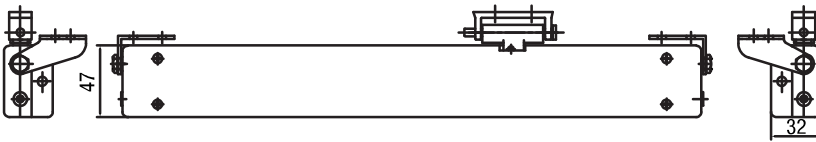
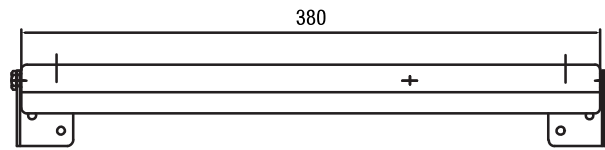


15 GU-RWA Chain Drives



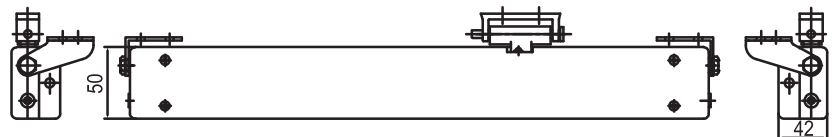
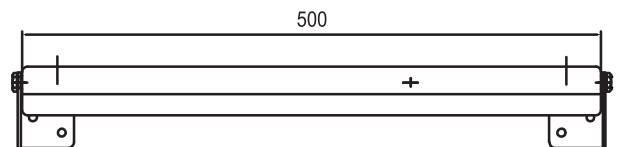
Technical data

Type of drive	WMF350
Nominal voltage	24VDC
Dimensions	358mm x 32mm x 50 (LxHxD)
Stroke	350mm
Current consumption	0.5A
Power Consumption	12VA
Push force	250N+20%
Pull force	200N+20%
Running time	25sec./100mm
Type of protection	Ip32
Case	Zinc housing protected against corrosion

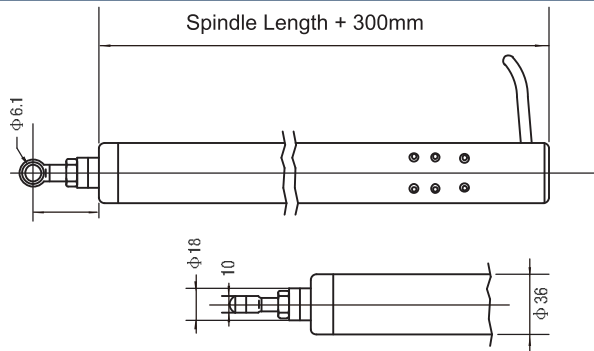
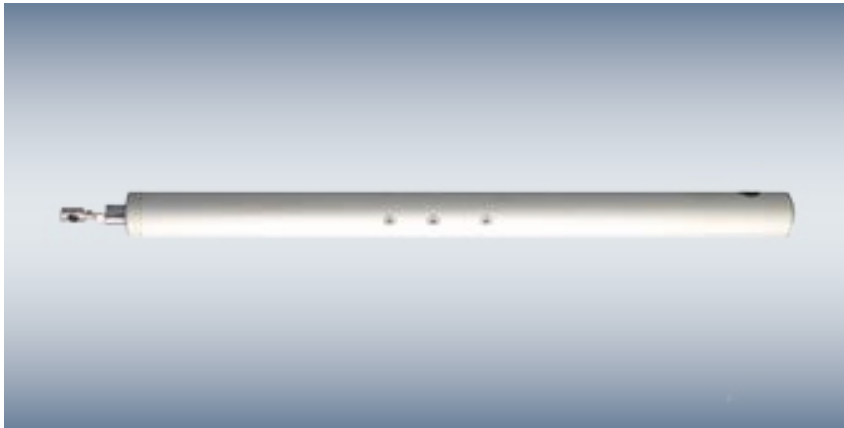


Technical Data

Type of drive	WMF550
Nominal voltage	24VDC
Dimensions	500mmx42mmx51(LxHxD)
Stroke	500mm
Current consumption	1.0A
Power consumption	24VA
Push force	400N+20%
Pull force	480N+20%
Running time	25sec./100mm
Type of protection	IP32
Case	Zinc housing protected against corrosion
Locking force	2000N
Life span	10000 Cycles
Range of working temperature	-5° C to +75°C
Overload protection	Built in electronic overload protection
Synchronization function	Up to eight drives can be synchronized

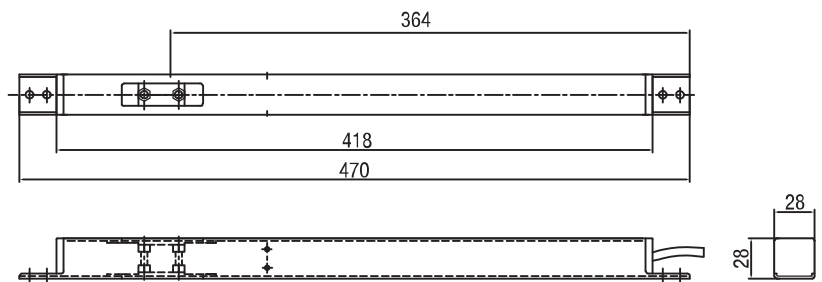


15 GU-RWA Spindle/Locking Drive



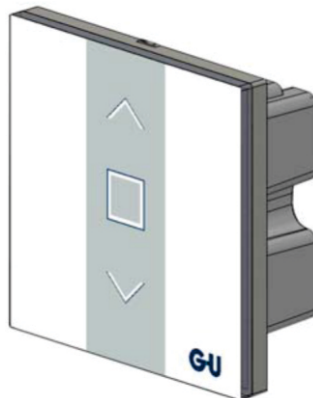
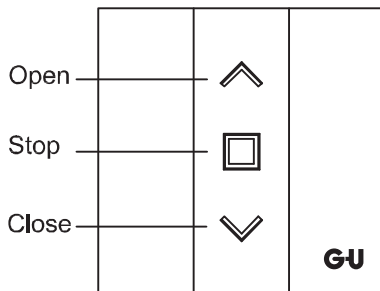
Product Name	Spindle Drive WMS 800
Working Voltage	24VDC± 20%
Rated Current	1A
Power	24VA
Pull Force	800N
Push Force	800N
Max. Speed	3mm/s
Working Life	>10000
Protection Rating	IP65
Shell Material	Aluminium Alloy Casing
Operating Temp.	-5°C%...75°C
Sync. Function	Upto 8 drives
Overload Protection	Built-in Overload Protection
Linkage Function	Used with WML 50

Product Name	Locking Drive WML 50
Working Voltage	24VDC± 20%
Rated Current	1A
Power	24VA
Driving Force	500N
Stroke	18mm
Max. Speed	3mm/s
Working Life	>10000
Protection Rating	IP52
Shell Material	Aluminium Alloy Casing
Operating Temp.	-5°C%...75°C
Sync. Function	Yes
Size (LXBXH in mm)	470 X 28 X 28
Wire (Silicon Rubber)	4mm, 4Cores

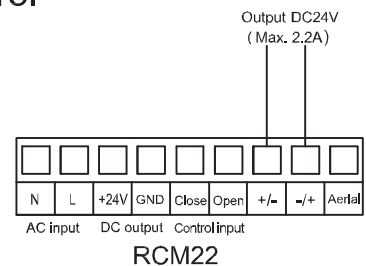


15 GU-RWA Control Unit

RCM22/RCR8 Touch Panel with remote control

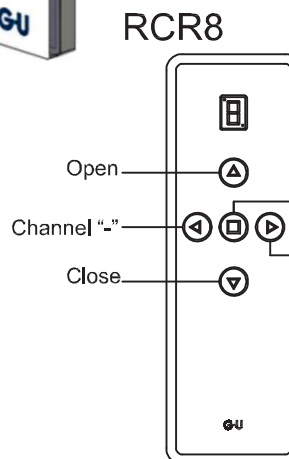


Panel Size: 86mm*86mm
 Inside housing: 70mm*67mm*31mm
 Input/output voltage: AC220V / DC24V
 Power: 50W@24V(Resistive load)
 Receiving Frequency: 433.92Mhz
 Channel number: 8UNITS
 Receiving Sensitivity: -110DBm



Operation Priority

1. Open signal from external
2. Close signal from external
3. Local control
4. Remote control



Battery type: CR2032(2PCS)
 Standby power: (6V)10uA
 Emission Frequency: (6V)13mA+10dbm
 Radio Frequency: 433.92Mhz
 Channel number: 8

RZ10A/25A/33A/48A



Technical Parameters

Model	RZ 48A
Output voltage	24VDC
Input voltage	230V/AC 50Hz
Ampere ratings	48A
Backup power	Optional
Power consumption	280VA
Storage battery	72Ah (Max.)
Degree of protection	IP54
Range of working temperature	-5°C to +40°C
Max. no. of possible packets RZ10/2	8 ventilation groups
Case (Shell protection)	Grey steel plate (RAL 7032)

Surface mounted
 Dimensions

WXHxD
 800X800X250mm

15. G-U Window Product Data List

G-U Window Product Data List								
Type	Profile	Min.SW/SRW	Max.SW/SRW	Min.SH/SRH	Max.SH/SRH	Max.SW	Installation Drawing No.	
Tilt-Turn	Al (JET AK8)	355	1700	500	2800	80/130	044170	
	Al (ALU-JET 610)	410	1700	500	2800	80/130	048088	048087
	PVC (UNI-JET D)	280	1600	260	2800	80/100	044324	046603
	Timber (UNI-JET6/12)	280	1600	260	2800	130	044324	046605
	Al. U groove (UNI-JET C)	280	1600	260	2800	80/130	044324	044708
	Al. U groove (UNI-JET D)	280	1600	260	2800	80/130	044324	046741
Tilt-Turn Concealed	Al (ALU-JET CC610)	500	1600	500	2800	150	048088	047136
	Al (ALU-JET CC610F)	500	1600(developing)	500	2800	100	Refer to CC610 Drawing. Also apply to flush profile	
	PVC (UNI-JET SCF)	300	1400	260	2800	60/130	044324	047107
	Timber (UNI-JET SCF)	300	1400	260	2800	60/130	044324	047106
Turn Only	Al (JET AK8)	355	1700	500	2800	80/130	044231	
	Al (ALU-JET 610)	410	1700	500	2800	80/130	048090	048087
	PVC (UNI-JET D)	280	1600	260	2800	80/100	044324	046603
	Timber (UNI-JET6/12)	280	1600	260	2800	130	044324	046605
	Al. U groove (UNI-JET C)	280	1600	260	2800	80/130	044324	044708
	Al. U groove (UNI-JET D)	280	1600	260	2800	80/100	044324	046741
Turn Only Concealed	Al (ALU-JET CC610)	500	1600	500	2800	150	048090	047136
	Al (ALU-JET CC610F)	500	1600(developing)	500	2800	100	Refer to CC610 Drawing. Also apply to flush profile	
	PVC (UNI-JET SCF)	300	1400	260	2800	60/130	044324	047107
	Timber (UNI-JET SCF)	300	1400	260	2800	60/130	044324	047106
Lift & Slide (Standard)	Al	720	3300	850	3250	600	044415	
	PVC	700	3300	840	3250	600	044383	
	Timber	700	3300	850	3250	600	045338	045647
Lift & Slide (Ventilation)	Al	700	3300	750	3250	600		
	PVC	620	3300	800	3250	600	045551	
	Timber	620	3300	820	3250	600	044923	
Lift & Slide (Motorized)	Al	950	3300	1855	2765	600	045658	
	PVC	950	3300	1855	2765	600	044827	
	Timber	950	3300	1855	2765	600	044355	
Tilt Slide (Standard)	Al	600	1600	730	2400	130	044495	
	PVC	640	1600	700	2350	130	044384	
	Timber	640	1600	700	2350	130	044386	
Tilt Slide (Motorized)	Al	740	1850	895	2400	150/180	043905	044795
	PVC	720	1850	820	2370	150/180	044351	043845
	Timber	720	1850	820	2370	150/180	043850	043830
Parallel Sliding	Al	600	2000	730	3000	200	045960	046713
	PVC	640	2000	730	2350	200	046030	046714
	Timber	640	2000	730	2350	200	046029	046715
Fold Sliding	Al	500	1000	851	2400	80/130	046575	
	PVC	500	1000	851	2350	80	046888	047119
	Timber	500	1000	851	2350	80/130	046570	046892
Horizontal Pivot	Al	580	2950	600	2200	175	042956	
	PVC	576	2950	700	2200	175	042030	
	Timber	576	2950	700	2200	175	041840	
Vertical Pivot	Al	600	2200	600	2650	175	042959	
	PVC	—	—	—	—	—	—	
	Timber	782	1600	800	2450	175	041880	042020

Gretsch-Unitas GmbH
Baubeschläge
D-71252 Ditzingen
Phone +49 (0)7156 301-0
Fax +49 (0)7156 301-293
www.g-u.com

As a specialist manufacturer of hardware and ventilators, Gretsch-Unitas have been, for many years, the brand leader in several product areas.
The market acceptability of the wide ranging product programme of builder's hardware and ventilators with up-to-date technology and design is proved in daily competition.



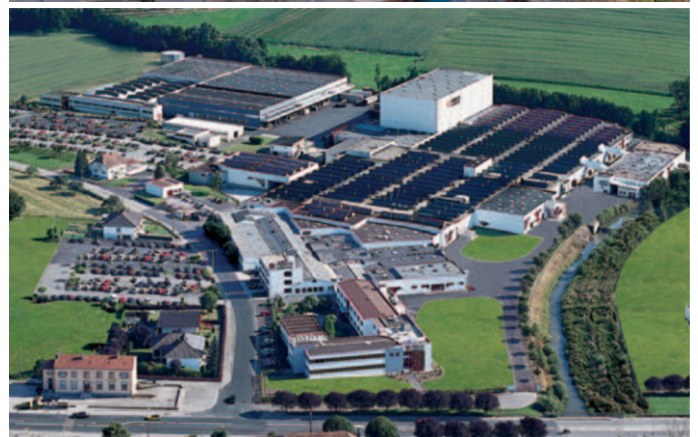
BKS GmbH
Postfach 10 02 10
D-42502 Velbert
Phone +49 (0)2051 201-0
Fax +49 (0)2051 201-555
www.g-u.com

The BKS name has been synonymous with security for more than one hundred years.
The traditional Velbert company brings proven products and an outstanding reputation – earned through undisputed product quality – to the Gretsch-Unitas Group.



FERCO International S.A.S.
F-57401 Sarrebourg
Phone +33 (0)3 87 23 31 11
Fax +33 (0)3 87 03 54 06
www.ferco.fr

FERCO INTERNATIONAL is France's largest and most widely used builder's hardware supplier.
The extensive programme of modern hardware is distributed world wide.



GU Automatic GmbH
Stahlstraße 8
D-33378 Rheda-Wiedenbrück
Phone +49 (0)5242 924-0
Fax +49 (0)5242 924-100
www.g-u.com

The business range "entrance systems" encloses projection, production, distribution, assembly and service of automatic door installations.
With GU Automatic the G.U Group extends the supply of system solutions for windows, internal and external doors as well as for façades.



GRETSCH-UNITAS Baubeschlaege GmbH

Liaison office Pan India

M+V Market Development Service Pvt. Ltd

Plot No. 52, Udyog Vihar VI, Sector 37, Gurugram, 122001, India.

Mob: +91-7600118555

E-Mail: sandeep@g-u.co.in

Web:

<http://www.g-u.com>