

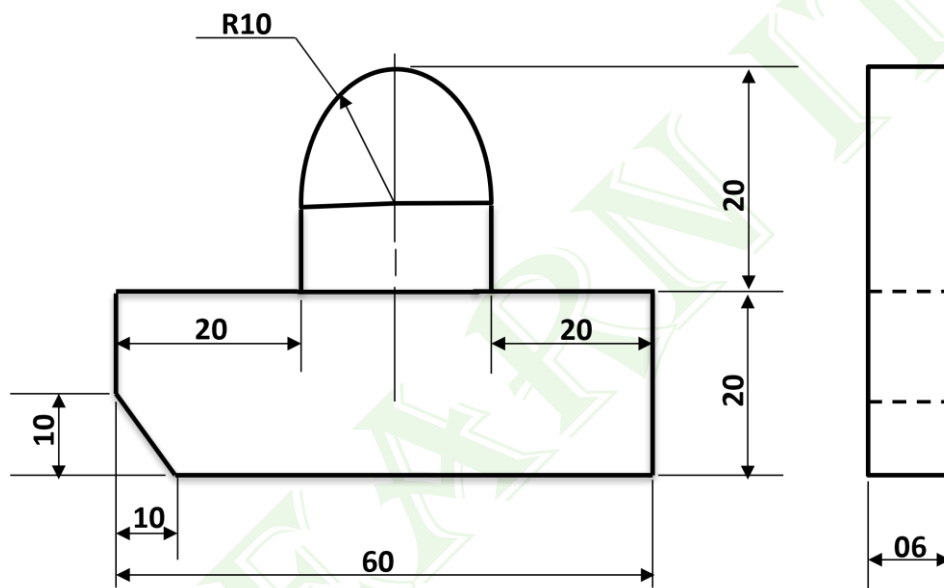
BARC SKILL TEST (2024)

Trade – FITTER

Time: 2.30Hrs.

Marks: 100

Q.1) Prepare the job as per Drawing below:



Tolerance: $\pm 0.05\text{mm}$

Note: All Dimensions are in mm.