

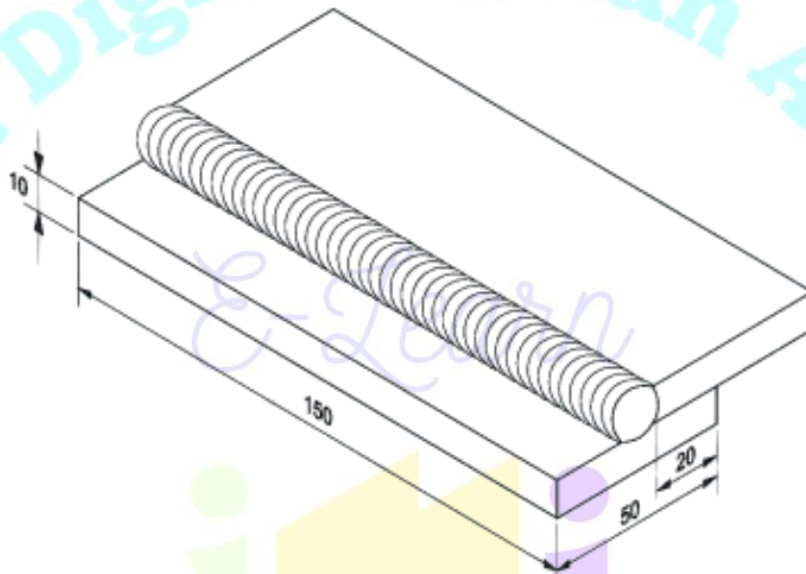
BHEL SKILL TEST – 2026

Trade – Welder

Time: 2Hrs

Marks: 100

Q. Prepare the job as per drawing below:



Raw Material = 50 x 10 x 150mm

Tolerance: ± 0.04 mm

Note Dimensions are in mm.

Solution and Explanation on
You Tube Channel



E-Lean ITI



SUBSCRIBE

For more Update

Aapka Digital Gyaan Aur Technical Knowledge Ka Safar!

E-Learn



Solution and Explanation on
You Tube Channel



 **E-Learn ITI** 
 **For more Update**