

BHEL SKILL TEST

Trade – Welder

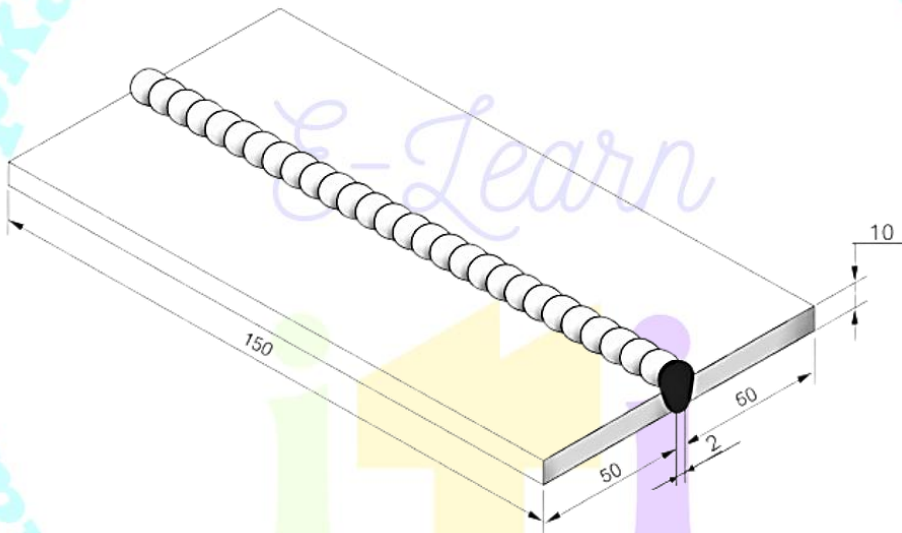
08/04/2026

Haridwar Unit

Time: 1Hrs

Marks: 100

Q. Prepare the job as per drawing below:



Raw Material = 50 x 10 x 150mm

Tolerance: ± 0.04 mm

Note Dimensions are in mm.

Solution and Explanation on
You Tube Channel



E-Learn ITI



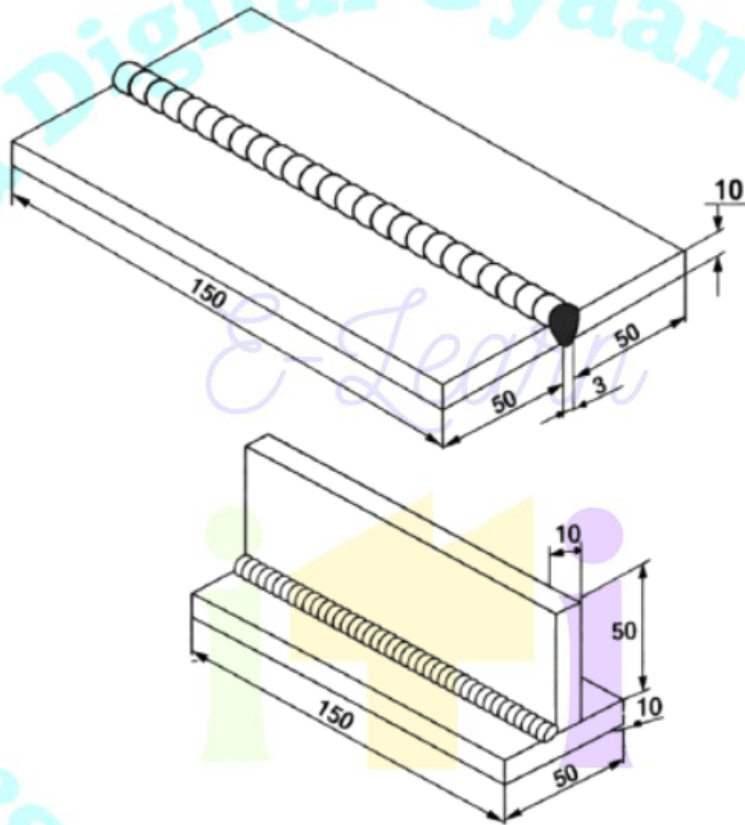
SUBSCRIBE

For more Update

Trade – Welder

08/04/2026

RANIPAT UNIT



**Solution and Explanation on
You Tube Channel**



E-Learn ITI



SUBSCRIBE

For more Update