

BHEL SKILL TEST

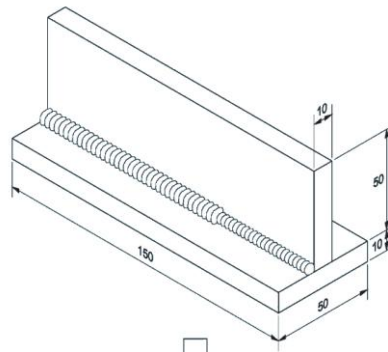
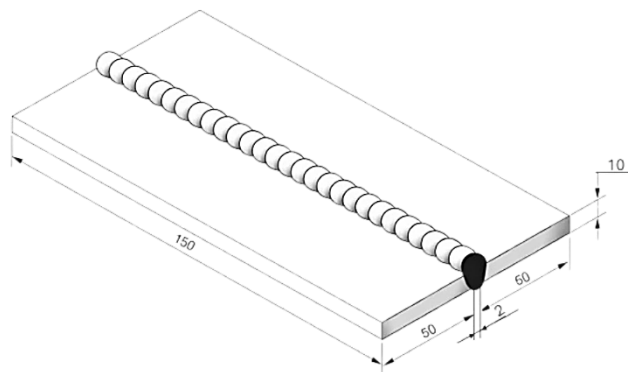
Trade – Welder

06/04/2026

Time: 1Hrs
100

Marks:

Q. Prepare the job as per drawing below:



Raw Material = 50 x 10 x 150mm

Tolerance: ± 0.04 mm

Note Dimensions are in mm.

Solution and Explanation on
You Tube Channel



**Solution and Explanation on
You Tube Channel**



 **E-Learn ITI** E-Learn
 **For more Update**

The banner features a yellow background. On the left is a red YouTube play button icon. To its right, the text 'E-Learn ITI' is displayed in large, bold, red font, with 'E-Learn' in a smaller, grey font above 'ITI'. Below this, there is a red 'SUBSCRIBE' button with a white play icon and a bell icon. To the right of the button, the text 'For more Update' is written in bold black font. On the far right, there is a small logo consisting of the letters 'i', 't', and 'i' in blue and red.