

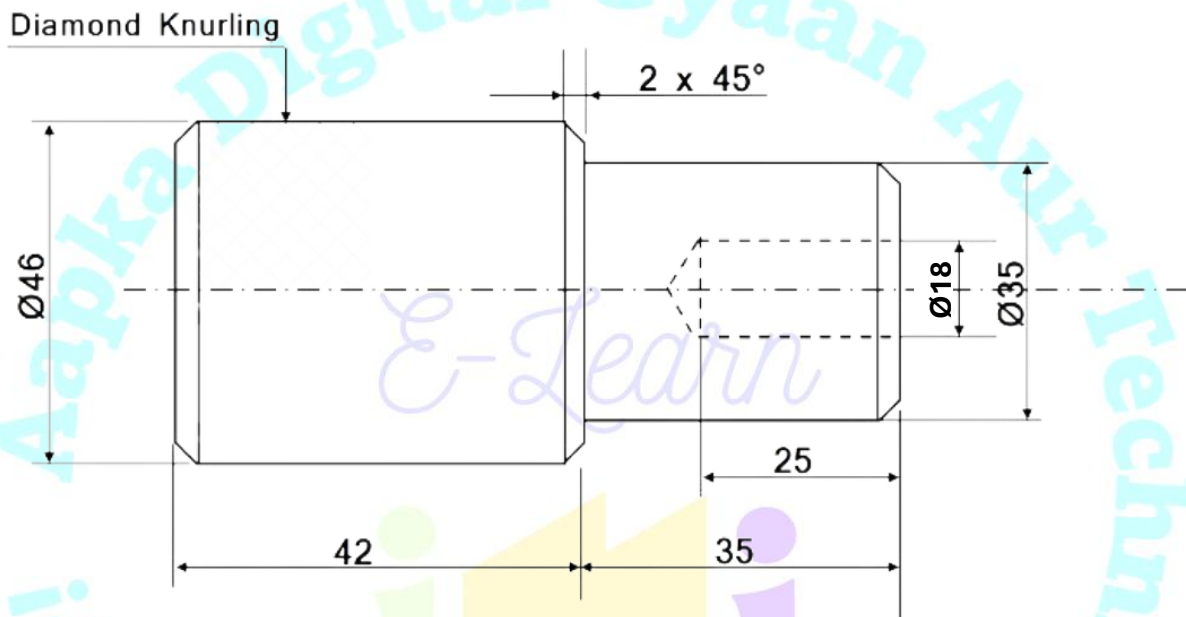
BHEL SKILL TEST – 2026

Trade – Turner / Machinist

Time: 2Hrs

Marks: 100

Q. Prepare the job as per drawing below:



Raw Material = $\text{Ø}50 \times 80$ mm

Tolerance: ± 0.02 mm

Note Dimensions are in mm.

