

BHEL SKILL TEST – 2026

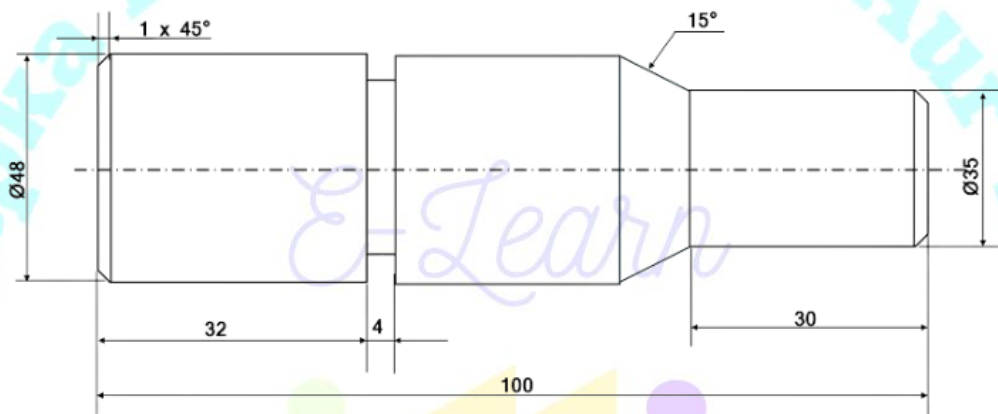
Trade – Turner

07\04\2026

Time: 2Hrs

Marks: 100

Q. Prepare the job as per drawing below:



Raw Material = $\varnothing 50 \times 105$ mm

Tolerance: ± 0.02 mm

Note Dimensions are in mm.

Solution and Explanation on
You Tube Channel

