

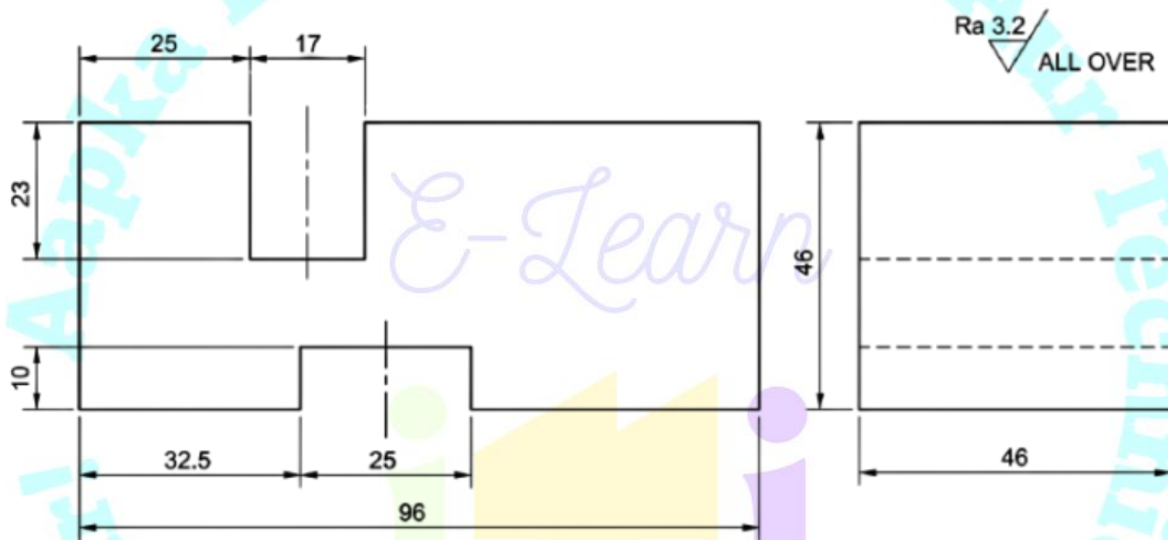
BHEL SKILL TEST – 2026

Trade – Machinist

Time: 2.30Hrs

Marks: 100

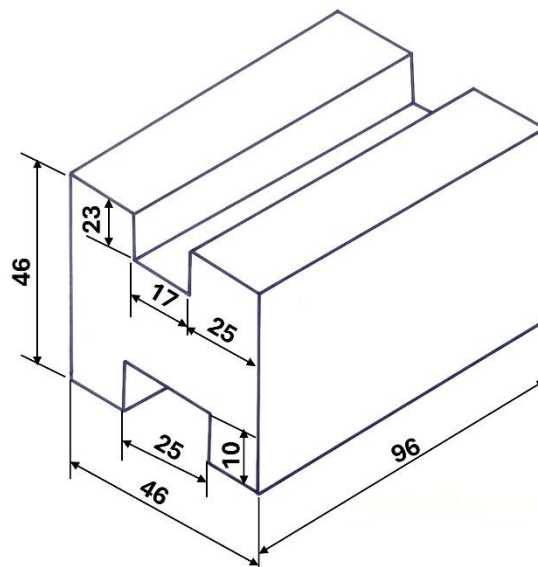
Q. Prepare the job as per drawing below:



Raw Material = SQ50 x 50 x 100mm

Tolerance: ± 0.04 mm

Note Dimensions are in mm.



Solution and Explanation on
You Tube Channel



E-Learn ITI



SUBSCRIBE

For more Update