

Catalogue 2024



American Standard

LIFE.LOVE.HOME



Contents

Introduction

Brand claim	5
Our heritage	6
Our brand pillars	8
Brand values	11
Signature elements	12
Industry recognition	14
Key technologies	16
New products	20
Lifestyle segmentations.....	24

Bathroom Collections

Signature	26
Kastello	34
Acacia Supasleek	42
Acacia Evolution	48
Neo Modern	58
Flexio	62
Concept Nuovo	68
Compact Codie	78
Loven Collection	86

Product Categories

Toilets	92
Spalet	96
Wash Basins	118
Basin Faucets	124
Bath & Showers	128
Bathtubs	136
Commercial	140
Care and Maintenance	154
Warranty	155
Project References	156



LIFE.LOVE.HOME




We are passionate about improving the standard of living in ways big and small. We care about every moment, every detail, to transform your living space to make **life** better.

It all starts with understanding those who will use our products. We empathize with them, then we craft around them. We want people to appreciate the small moments and enjoy the time they spend with those they care about most.

We've been improving **homes** around the world, designing purposeful bathroom and kitchen products for over a century. We want to inspire people to create a **home** they will **love** every day.

American Standard. **Life. Love. Home.**

Our heritage

1875	1934	1950
		

James Arnott and Francis Torrance start Standard Manufacturing.

American Radiator & Standard Sanitary Corporation merge.




Name shortened to American Standard.

2016	2018/19	2019
		

HygieneClean™ System utilizes multiple technologies, to ensure ultimate hygiene protection.

GENIE™ is a specially engineered pressure-boosting hand shower that delivers a strong water pressure that is also gentle on the skin.

EasySET™ Exposed Auto Temperature Mixer allows you to enjoy an uninterrupted shower experience at the right temperature and water volume with just a push of a button and a turn of the dial.

1961	1985	2007	2013
			

Entry to Asia Pacific Market: 1st American Standard Factory in the Philippines.

American Standard establishes its first factory in China as one of the first sanitary ware brands to enter the market.

All faucets are lead-free, and WaterSense certified.

LIXIL Group purchases American Standard Brands.

2019	2021	2022	2022
			

Purposefully designed with an easy push on/off button, the EasyFLO™ Collection is especially handy when needing to turn water on with dirty or soapy hands!

American Standard launches the Reference Line, introducing the brand's signature elements.

DuoSTiX™ Hygiene Spray is a multipurpose spray that is both gentle on the skin and thorough on bathroom stains.

American Standard reveals its unified brand identity, bringing global consistency to its brand expression.

Our brand pillars



Trusted

A heritage of quality and experience consumers depend on.

Progressive

A connection to the American spirit of building for better.



User-centric

A relentless focus on making things simple for people.



Caring

A mindfulness for our craft, and our planet.





Brand values

Dependable

For over a century, our products have proven to be **trustworthy** purchases. They have made bathrooms and kitchens **safe**. Beautiful, but also **rational**, they are designed for a specific purpose in a **simple** way. Always, easy to use and built to last.

Inviting

Always in the background of your life, good design supports the **sensorial** elements that transform a space into a home. It invites a **comfortable, caring, and casual** approach to living that is at the heart of our brand purpose.

Pioneering

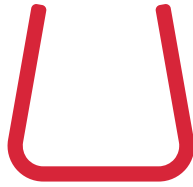
We are **passionate** about the products we make and innovate with a view towards a **progressive, optimistic,** and equally **authentic** user experience that emulates our company values.

Signature elements

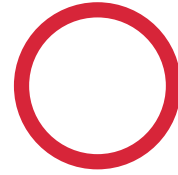




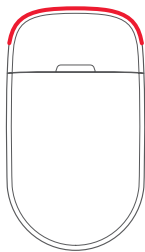
Pillow



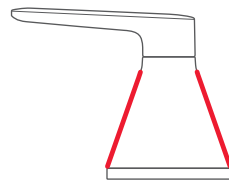
Taper



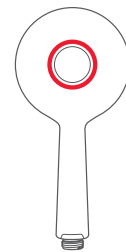
Frame



As a user-centric brand, American Standard products are **Inviting**. The gentle **Pillow** shape, with soft rounded corners and accelerating curvatures, display the products' human nature.



American Standard is **Dependable**. This is expressed in the sturdy, solid **Tapered** shape of the product that communicates stability, reliability and trust.



In true American tradition, American Standard is **Pioneering**. **Frame** highlights insight-based feature innovation, bringing into focus what makes our products easier to use and what brings true value to our user's everyday life.

Industry
recognition





GOOD DESIGN AWARD 2019 ASIA DESIGN PRIZE 2020 WINNER

EasyFLO™ Faucet



ASIA DESIGN PRIZE 2020 WINNER

Signature™ Fittings



GOOD DESIGN AWARD 2018 BEST 100 reddot design award winner 2018 SINGAPORE GOOD DESIGN 2019 PLATINUM WINNER

GENIE™ Hand Shower



ASIA DESIGN PRIZE 2019 WINNER MERT AWARDS 2017

EasySET™ Concealed



reddot design award winner 2019 ASIA DESIGN PRIZE 2020 WINNER

EasySET™ Exposed Auto Temperature Mixer



ASIA DESIGN PRIZE 2021 GOLD WINNER

Neo Modern L-Bend Mixer



ASIA DESIGN PRIZE 2021 GOLD WINNER

Acacia Supasleek Square Wall Hung Toilet



ASIA DESIGN PRIZE 2021 GOLD WINNER

City Toilet Wall-Hung



ASIA DESIGN PRIZE 2021 WINNER

Slim Smart Washer 3



reddot winner 2022 ASIA DESIGN PRIZE 2022 GOLD WINNER

DuoSTiX™ Hygiene Spray



ASIA DESIGN PRIZE 2019 WINNER SINGAPORE GOOD DESIGN 2019

City Best Vanity Set



ASIA DESIGN PRIZE 2021 GOLD WINNER

SpaceMaster

Key technologies



Everything we do stems from our desire to deliver real everyday solutions that improve living in and around the bathroom and bring value to both consumers and commercial partners.

HygieneClean System



DOUBLE VORTEX

Maximum flushing performance, minimum water usage.



POWER RIM

Combined with our advanced flushing technology, this rim design eliminates hard-to-reach surfaces for an effective removal of dirt and stains.



AQUA CERAMIC

Super hydrophilic technology prevents dirt and dark ring stains from sticking to ceramic surface.



SIPHONMAX

Dynamic vacuum mechanism with side water jets create a powerful swirl to evacuate both heavy and light waste.



HYGIENE RIM

Truly rimless, cleaned in just one swipe.



COMFORTCLEAN

Effectively kills E.coli bacteria according to tests done with IMSL.

Spalet Technologies

Advanced Cleansing



DUAL NOZZLES

Equipped with dedicated front and rear cleansing nozzles.



POSTERIOR CLEANSING

Offers a strong, direct spray for a thorough cleanse.



FEMININE AIR BUBBLE SOFT CLEANSING

A gentle flow of warm aerated water provides a soothing shower that is gentle enough for a woman's delicate areas.



ONE-TOUCH CLEANSING

Suitable for both elderly and children, one-touch cleansing activates the posterior/feminine cleansing & dryer functions consecutively at a touch of a button.

Comfort



INSTANT HEATING SYSTEM

Instant heating system offers instant and constant warm water for comfort.



HEATED SEAT

Temperature can be easily adjusted for comfort.



DRYER

Temperature can be easily adjusted for comfort. Computer-memorized settings allow one to keep the same settings as the previous user's.

Anti-Bacterial Protection



ANTIBACTERIAL PROTECTION

Uses antibacterial resin on seat, cover, nozzle and remote control. Certified to SIAA ISO 22196 standard for antibacterial efficacy (seat only).



Anti-bacterial protection is certified to SIAA ISO 22196 standard.

Fittings Technologies

Safety



THERMOSAFE

Safety temperature control up to 49°C, with an auto shut-off function when cold water supply fails.



COOLSHIELD

Body of faucet stays cool and prevents scalding shocks.

Comfort



COMFORTMOVE

Smooth handle performance for optimal precision and comfort.



THERMOCOMFORT

Provides a constant and comfortable temperature.

Sustainability



LINE SENSOR

Unmatched sensor precision compared to a conventional sensor faucet.



CLICKMOVE

Provides 40% water savings with ease of control.



ECOSTART

Provides up to 30% energy savings.



AIRNERGIZE

Air-infused water provides a luxurious shower experience while using less water.

New products



| DuoStix Hygiene Spray

A dual cleanse spray that is both gentle on the skin and thorough on bathroom stains. Personal cleansing is all about gentle comfort. But when it comes to tough toilet stains, trust a stronger jet to do an all-out clean.

One hygienic spray for a gentle cleanse and a thorough clean.

New products



DuoStix Hand Shower

Bid goodbye to weak, low-pressure shower with DuoSTiX™ Hand Shower. The PressurePlus™ technology gives you a powerful spray for an invigorating shower. Purposefully designed for multifunction use, simply twist the cap off and transform the hand shower into a focused jet spray to blast stains head-on.

Enjoy an invigorating cleanse and a thorough clean.

New products



| e-Lite Shower Toilet

Experience the joy of your first shower toilet with American Standard e-Lite. Breeze through the morning rush and ease into your relaxing evenings - all with just a touch of the button. It is truly a delightful touch!



Lifestyle segmentations





Classic

Classic users appreciate products that combine the aesthetics of the past with present day technology.

This nostalgic link to former periods brings with it an insinuation of quality and bespoke hand-crafted luxury. 'Real materials' with ornate detailing radiate an intricate and rich aesthetic, yet performance and elegance are important to this segment.



Transitional

Transitional users value established quality and styling that maintains both a nod to the past and a firm look to the future. With a preference for harmonious soft flowing lines and conventional aesthetics, they select materials for their honesty and rational performance.

This profile tends towards an informal, casual attitude with an appetite for purposeful comfort and balanced appearance.



Contemporary

Contemporary users are confident and positive about the future. They desire the latest technology and are fearless in exploring modern aesthetic trends. With a preference for sensual simplicity, they expect their products to balance design and functionality. A reduced expression of form allows emphasis of the material, quality, texture and detail.

Trends are often born within this segment, which tends to stretch the imagination.

Signature™



Heralding a new era

For minimalists who appreciate quality and design, the Signature™ Collection is crafted as an embodiment of American Standard™. The culmination of the Frame and Pillow forms the Superellipse, a geometric shape that is exclusive to this collection, revolving around the theme of soft minimalism that blends seamlessly into a modern bathroom architecture.

Modern



Signature One-Piece Toilet with Regular Seat & Cover

C18800B



Signature Basin Mixer With Pop-Up Drain

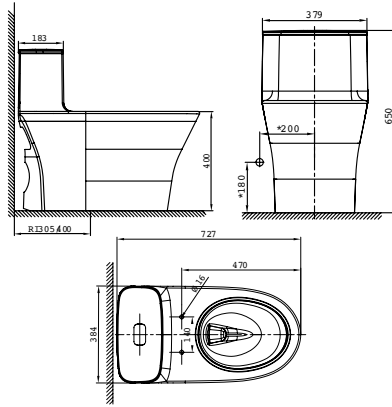
FFAS1701-1015L0BCO



Signature Vessel With Deck (Single Hole)

CCAS0618-1010410PO

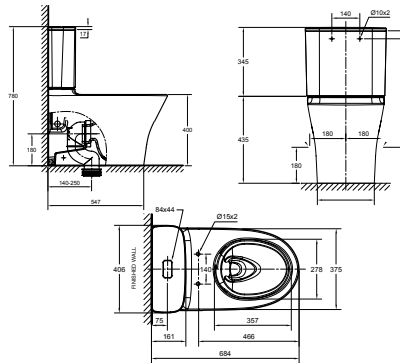
Signature / Toilets



Signature One-Piece Toilet CCAS1880-111A410FO

L727 x W384 x H650 mm

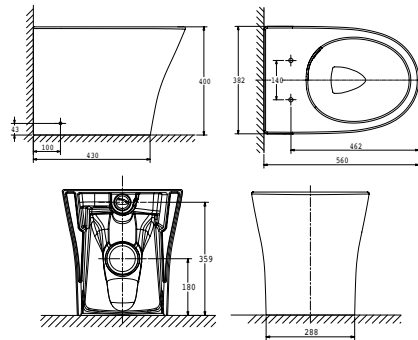
SiphonMax with Power Rim
3.5/5 L Dual
305mm, S-Trap
Elongated Bowl



Signature Close-Coupled Back-to-Wall Toilet CL26225-6DAPHCB

L684 x W406 x H780 mm

Double Vortex with
Hygiene Rim
3/4.5 L Dual
140-250mm, S-Trap (ANZ)
305mm S-trap (Asia)
180mm P-trap
Elongated Bowl



Signature Back-to-Wall Toilet CCAS2141-0420401FO (P-Trap)

L560 x W382 x H400 mm

Double Vortex with
Hygiene Rim
3/4.5L Single Flush
180mm, P-trap
Elongated Bowl



Compatible with:
Concealed Cisterns

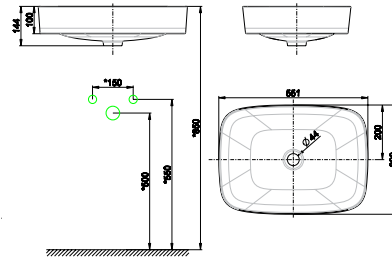


Concept Pillow
(Best Design Match)



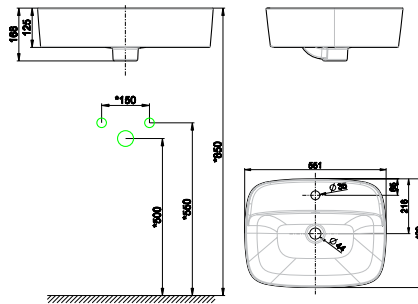
Concept Oblong

Signature / Wash Basins



Signature 550mm Vessel
CCAS0628-0000410P0

L551 x W399 x H100 mm

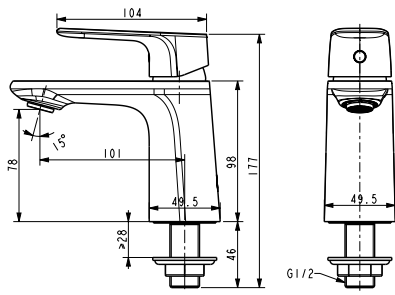


Signature 550mm Vessel With Deck
CCAS0618-1010410P0

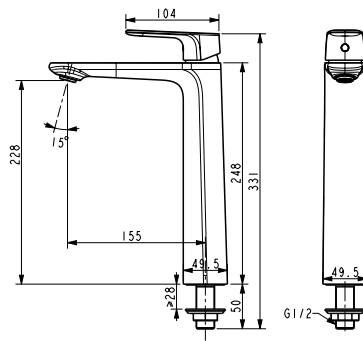
L551 x W429 x H125 mm



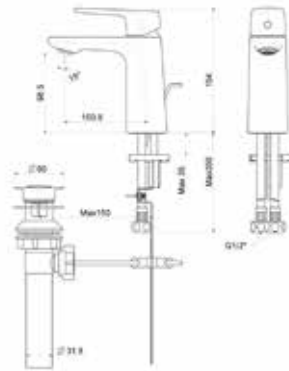
Signature / Basin Faucets



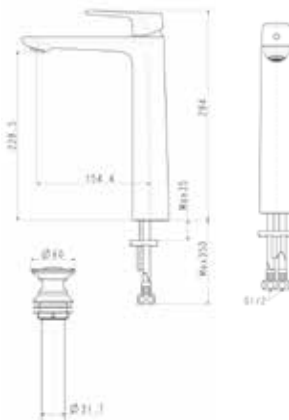
Signature Basin Mono
FFAS1706-1015LOBPO



Signature Extended Basin Mono
FFAS1707-1015LOBPO



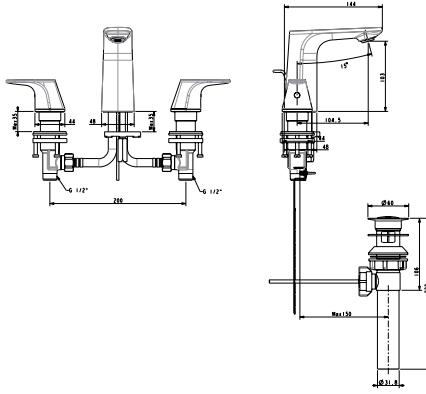
Signature Basin Mixer With Pop-Up Drain
FFAS1701-1015LOBCO



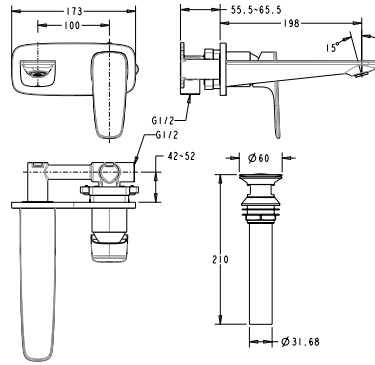
Signature Extended Basin Mixer With Pop-Up Drain
FFAS1702-1015LOBCO



Signature / Basin Faucets



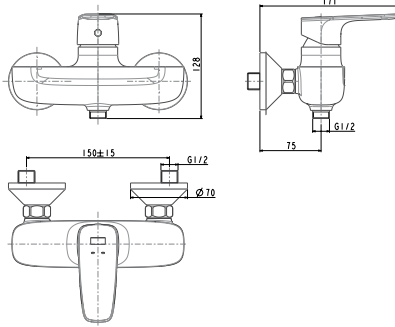
Signature 3-Hole Basin Mixer With Pop-Up Drain
FFAS1703-1015LOBCO



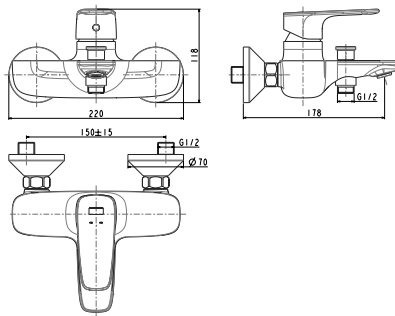
Signature Wall-Mount Basin Mixer With Pop-Up Drain
FFAS1704-1015LOBCO



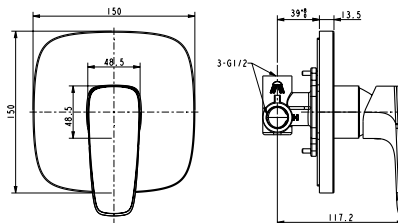
Signature / Bath & Showers



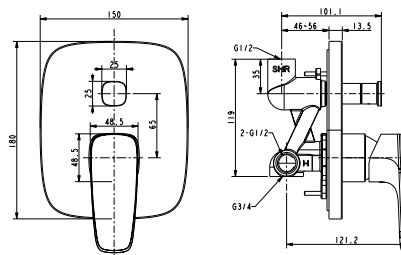
Signature Exposed Shower Mixer
FFAS1712-709500BCO



Signature Exposed Bath & Shower Mixer
FFAS1711-609500BCO



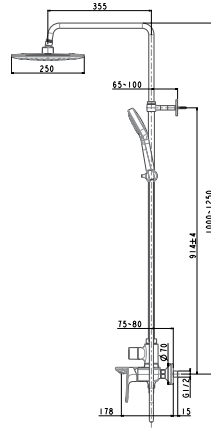
Signature Concealed Shower Mixer
FFAS1722-709500BCO



Signature Concealed Bath & Shower Mixer
FFAS1721-609500BCO



Signature / Bath & Showers



Signature Exposed Bath & Shower Mixer With Rainshower Kit
FFAS1772-701500BC0



Kastello™



Like. No. Other.

A collection designed for people who appreciate established aesthetics, quality and authenticity. With a refined combination of squarish geometries, flaring out shapes and crafted details, the Kastello™ Collection is a modern interpretation of a classic style. Choose to dial up its modern or classic flair to create a bathroom of timeless elegance and sophistication.

Classic



**Kastello
One-Piece Toilet**

CCAS2025B



**Kastello
3-Hole Basin Mixer**

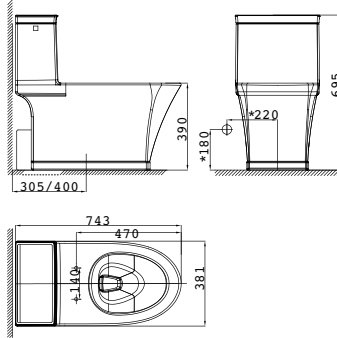
FFAS1603-101500BCO



**Kastello
3-Hole Vessel Wash Basin**

CCASF525-1080410FO

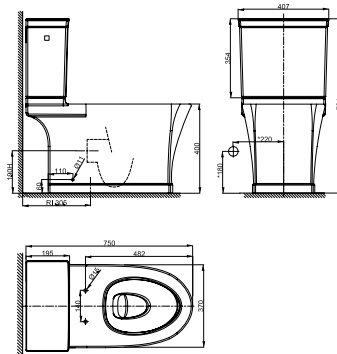
Kastello / Toilets



Kastello One-Piece Toilet
C20250B

L743 W381 x H695 mm

SiphonMax with Power Rim
3.8 L Single Flush
305/400 mm, S-Trap
Elongated Bowl



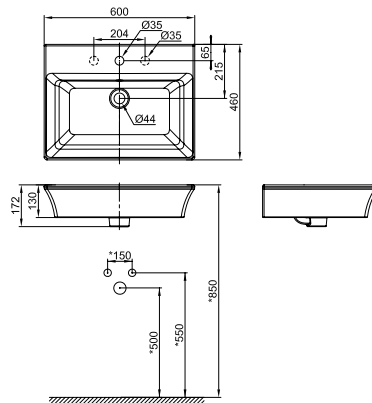
Kastello Close-Coupled Toilet
C27810SL-1MA21 (S-Trap)

L750 x W407 x H784 mm

Double Vortex
3/4.5 L Dual Flush
305 mm, S-Trap
Elongated Bowl



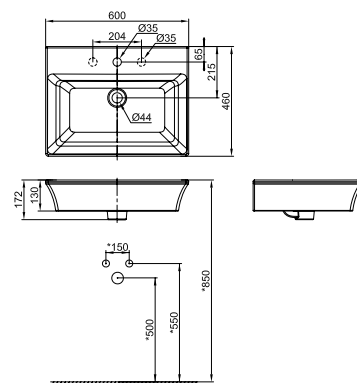
Kastello / Wash Basins



Kastello 600mm Vessel with Deck Basin

CCASF525-1010410F0

L600 x W460 x H172 mm

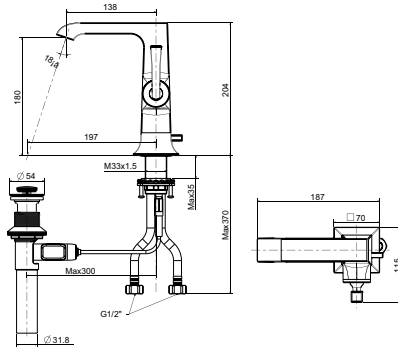


Kastello 600mm Vessel with Deck Basin (3-Hole)

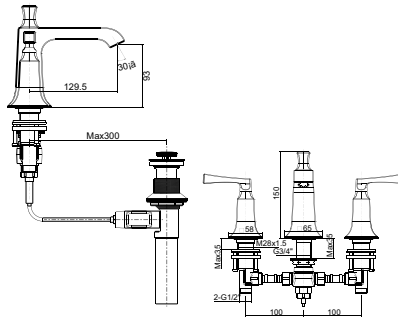
CCASF525-1080410F0

L600 x W460 x H172 mm

Kastello / Basin Faucets



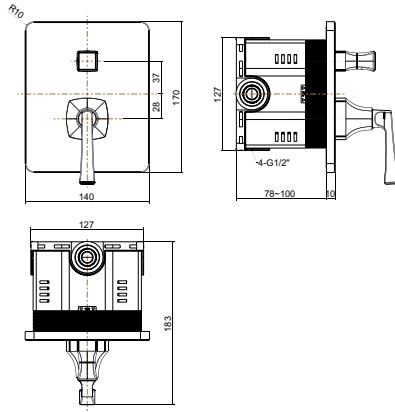
Kastello Basin Mixer with Pop-Up Drain
FFAS1601-101500BCO



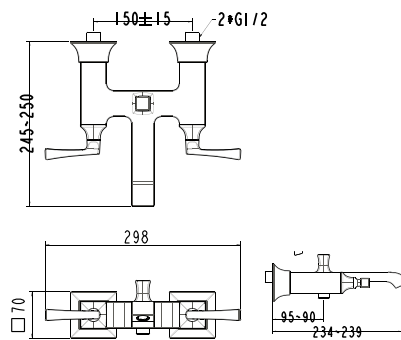
Kastello 3-Hole Basin Mixer with Pop-Up Drain
FFAS1603-101500BCO



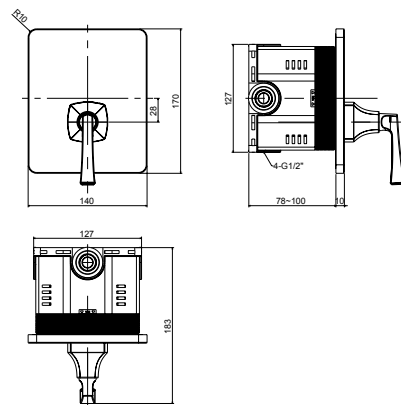
Kastello / Bath & Showers



Kastello Concealed Bath and Shower Mixer
FFAS1622-708500ZC0



Kastello Exposed Bath & Shower Mixer
FFAS1611-609500BC0

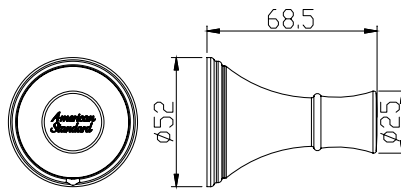


Kastello Concealed Shower Mixer
FFAS1621-608500ZC0

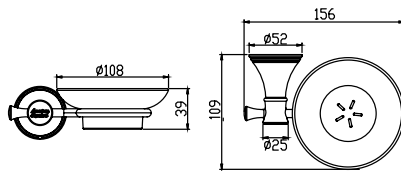


Kastello / Accessories

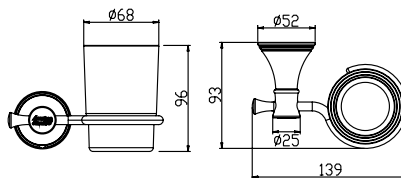
Kastello Robe Hook
FFAS0281-908500BCO



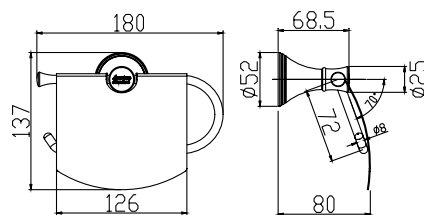
Kastello Soap Dish
FFAS0282-908500BCO



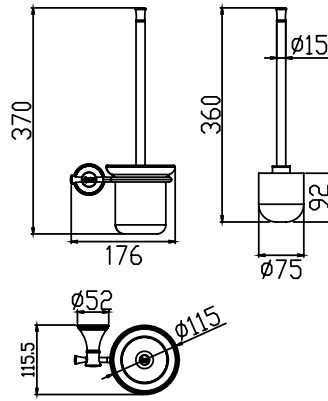
Kastello Glass Holder
FFAS0284-908500BCO



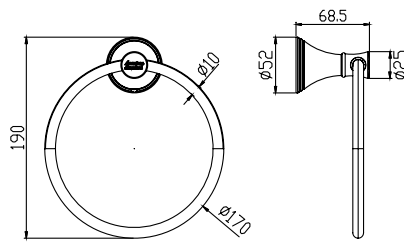
Kastello Paper Holder
FFAS0287-908500BCO



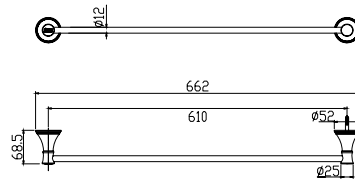
Kastello / Accessories



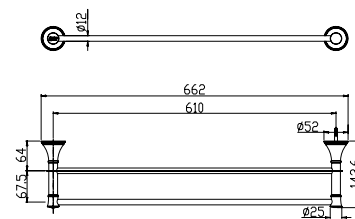
Kastello Toilet Brush
FFAS0286-908500BC0



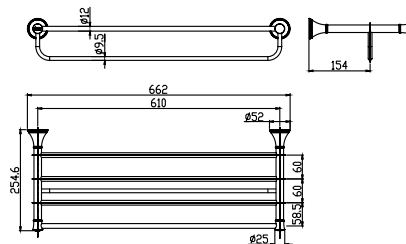
Kastello Towel Ring
FFAS0290-908500BC0



Kastello Towel Bar
FFAS0293-908500BC0



Kastello Double Towel Bar
FFAS0294-908500BC0



Kastello Towel Shelf
FFAS0295-908500BC0

Acacia Supasleek™



Best of design and technology.
Just got sleeker.

Embodying the best of design and technology, Acacia Evolution™ is now Acacia Supasleek™. Now with thinner edges and sleeker lines, this collection elevates modern bathrooms into new heights of luxury.

Modern



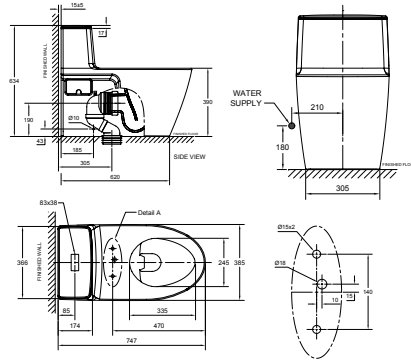
**Acacia Supasleek
One-Piece Toilet**
CL20075-6DAPHCBT



**Acacia Supasleek
Vessel With Deck**
CCASF420-1010411FO



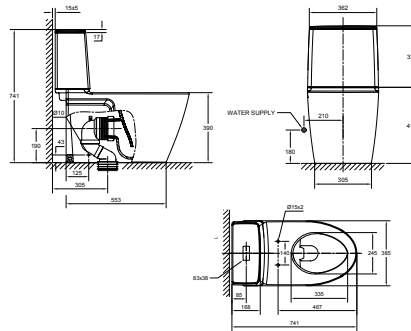
Acacia Supasleek / Toilets



Acacia Supasleek One-Piece Toilet CL20075-6DAPHCBT (S-Trap)

L747 x W385 x H634 mm

Double Vortex with Power Rim
2.6/4L Dual Flush
305mm, S-Trap
Elongated Bowl

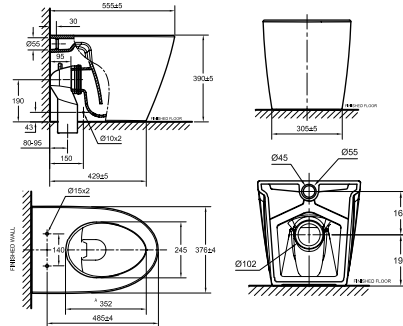


Acacia Supasleek Close-Coupled Toilet CL23075-6DAPHCBT (S-Trap)

CL23075-6DAPHCBT (S-Trap)

L741 x W385 x H741 mm

Double Vortex with Power Rim
2.6/4L Dual Flush
140-245mm, S-Trap
Elongated Bowl



Acacia Supasleek Back-to-Wall Toilet CL32297-6DAPHCBB

L555 x W376 x H390 mm

Double Vortex with Power Rim
3/4.5L Dual Flush
80-95mm, S-Trap
190mm, P-Trap
Elongated Bowl



Compatible with:
Concealed Cisterns



Concept Oblong
(Best Design Match)



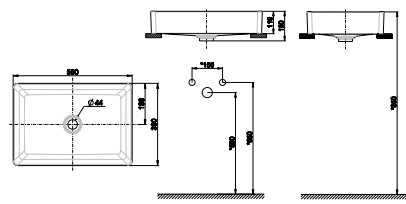
Concept Pillow



Concealed Flush Valve

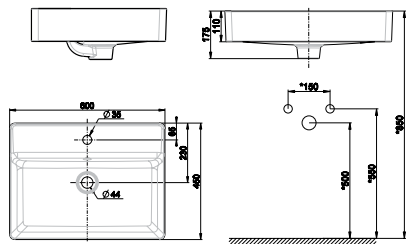
Concept Arc Dual FV

Acacia Supasleek / Wash Basins



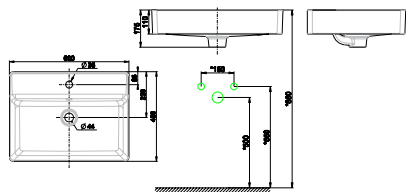
Acacia Supasleek 550mm Vessel
CCASF412-1000410FO

L380 x W550 x H110 mm



Acacia Supasleek Vessel with Deck
CCASF420-1010411FO

L450 x W600 x H110 mm

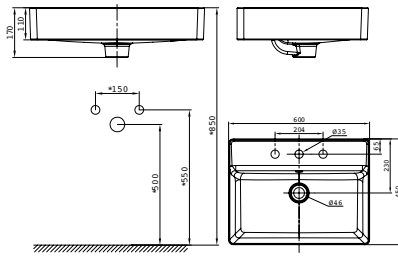


Acacia Supasleek Wall-Hung Basin
CCASF421-1010411FO

L450 x W600 x H110 mm



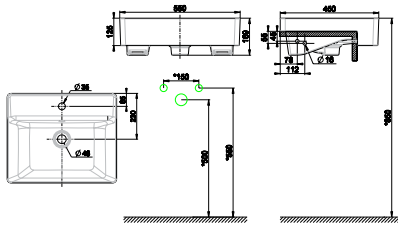
Acacia Supasleek / Wash Basins



Acacia Supasleek Vessel with Deck (3-Hole)

CCASF420-1080411F0

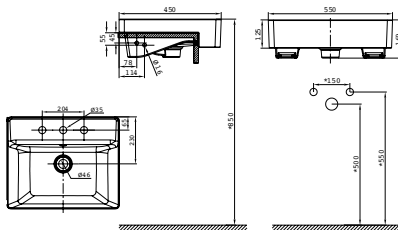
L450 x W600 x H110 mm



Acacia Supasleek Semi Counter Basin

CCASF419-1010411F0

L380 x W550 x H125 mm



Acacia Supasleek Semi Counter Basin (3-Hole)

CCASF419-1080411F0

L380 x W550 x H125 mm



Acacia Evolution™



The best of design and technology

For the urban trendsetter who strives for a modern and innovative lifestyle. The modern design of Acacia Evolution™ features geometric shapes and the latest technology that delivers a powerful flushing with minimum water usage. In a time where technology defines the way we interact, work and live, Acacia Evolution™ is designed to meet modern lifestyle needs. Where technology is deeply embedded into design, delivering both form and function.

Modern



**Acacia Evolution
One-Piece Toilet**
CL20075-6DAPHCB

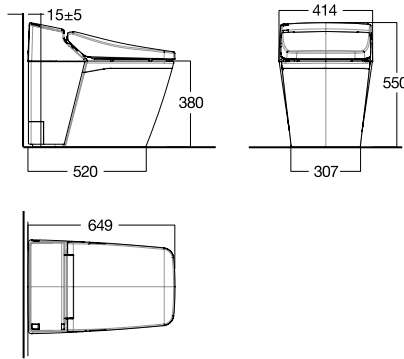


**Acacia Evolution
Extended Basin Mixer**
FFAS1302-101500BFO



**Acacia Evolution
Round Vessel Basin**
CL0509I-6DACTLA

Acacia Evolution / Spalets



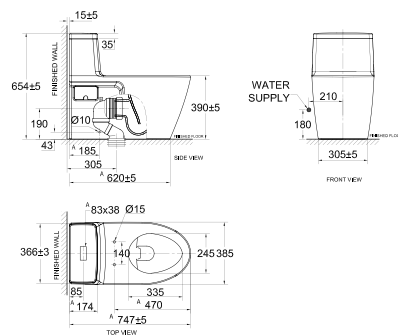
Acacia Evolution Shower Toilet (Auto Seat & Cover)
CEAS5006-0000424C0

L649 x W415 x H550 mm

Siphon Jet
3.5/5 L Dual Flush
305 mm, S-Trap
Square Bowl



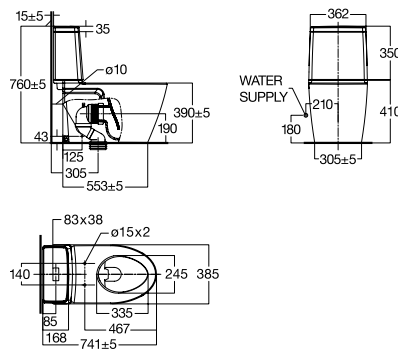
Acacia Evolution / Toilets



Acacia Evolution One-Piece Toilet
CL20075-6DAPHCB

L747 x W385 x H654 mm

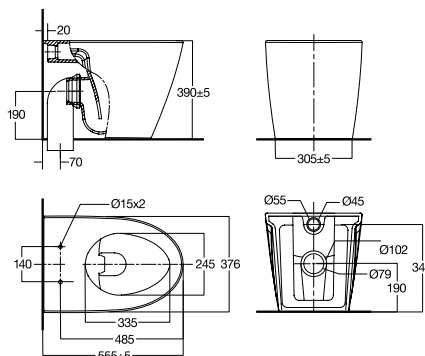
Double Vortex
2.6/4 L Dual Flush
305 mm, S-Trap
Elongated Bowl



Acacia Evolution Close-Coupled Toilet
CL23075-6DAPHCB

L740 x W385 x H760 mm

Double Vortex
2.6/4 L Dual Flush
305 mm, S-Trap
Elongated Bowl



Acacia Evolution Wall-Hung Toilet
CL3119B-6DAPHPT

L555 x W376 x H360 mm

Double Vortex
3/4.5 L Dual Flush
230 mm, P-Trap
Elongated Bowl

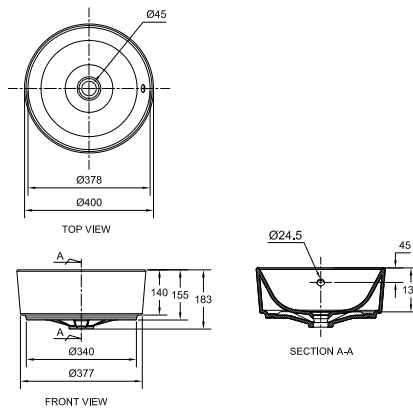


Compatible with:
Concealed Cisterns

Concealed Flush Valve

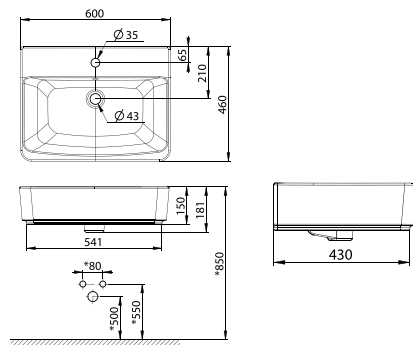


Acacia Evolution / Wash Bins



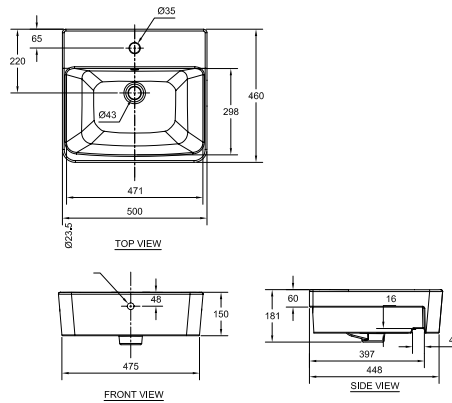
Acacia Evolution Round Vessel Wash Basin
 CL0509I-6DACTLA

L400 x W400 x H181 mm



Acacia Evolution Vessel With Deck
 CCAS0620-1010411FO

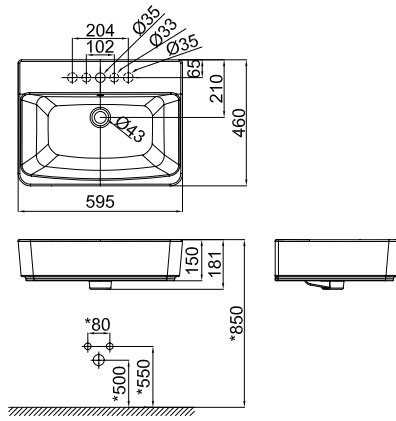
L600 x W460 x H181 mm



Acacia Evolution Semi Counter Wash Basin
 CL0519I-6DACTLS

L500 x W460 x H180 mm

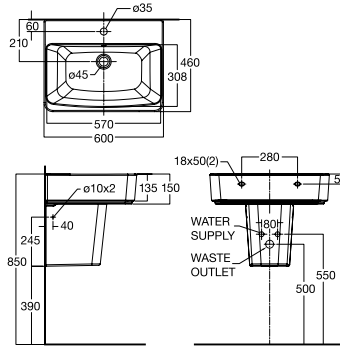
Acacia Evolution / Wash Basins



Acacia Evolution Semi Counter Wash Basin
CCASF519-1010411F0

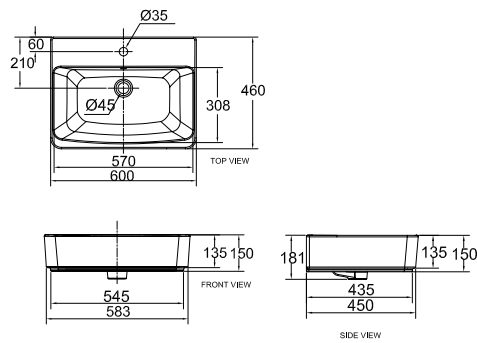
L500 x W460 x H181 mm

3-Hole, 4"



Acacia Evolution Semi Pedestal Wash Basin
CL0507I-6DACTLWW/
CL0707S-6DACT

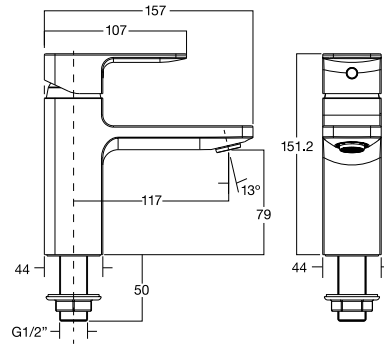
L600 x W460 x H460 mm



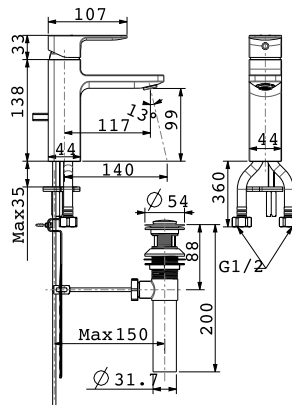
Acacia Evolution Wall-Hung Wash Basin
CL0507I-6DACTLWW

L600 x W460 x H181 mm

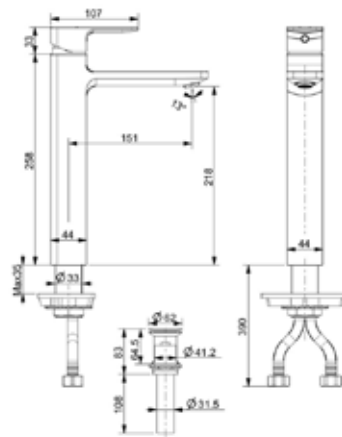
Acacia Evolution / Basin Faucets



Acacia Evolution Basin Mono
FFAS1306-101500BFO



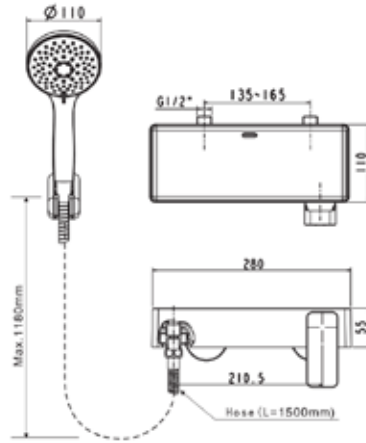
Acacia Evolution Basin Mixer With Pop-Up Drain
FFAS1301-101500BFO



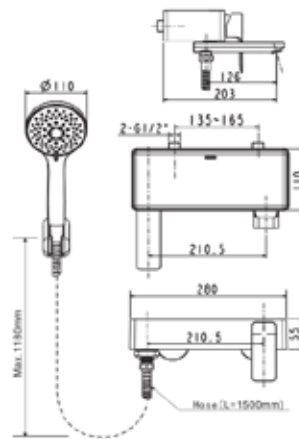
Acacia Evolution Extended Basin Mixer With Pop-Up Drain
FFAS1302-101500BCO



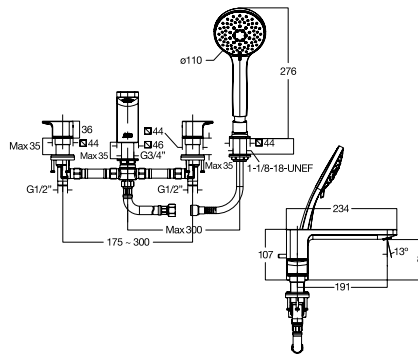
Acacia Evolution / Bath & Showers



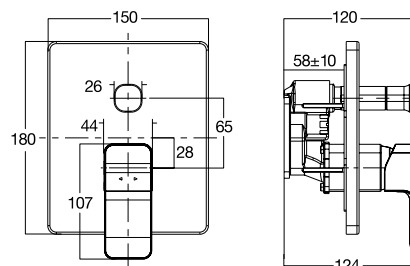
Acacia Evolution Exposed Shower Mixer with Shower Kit
FFAS1312-701500BFO



Acacia Evolution Exposed Bath & Shower Mixer with Shower Kit
FFAS1311-601500BFO



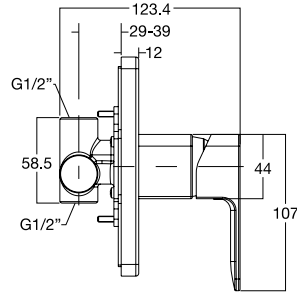
Acacia Evolution Deck Mount Bath & Shower Mixer with Shower Kit
FFAS1300-601500BCO



Acacia Evolution Concealed Bath & Shower Mixer
FFAS1321-608500BFO



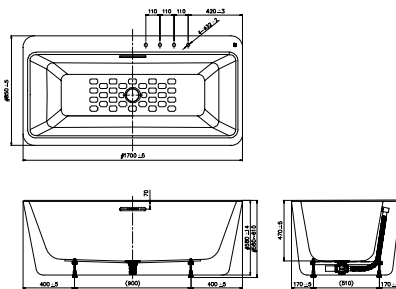
Acacia Evolution / Bath & Showers



Acacia Evolution Concealed Shower Mixer
FFAS1322-709500BFO



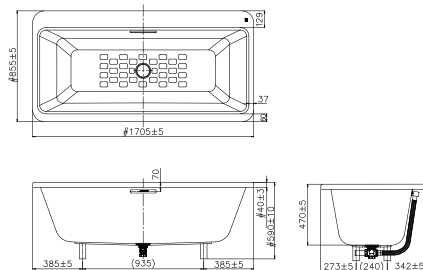
Acacia Evolution / Bathtubs



Acacia Evolution 1.7M Acrylic Seamless Freestanding Tub
BTAS6719-032ASXJFO

L1700 x W850 x H580 mm

Acrylic with E-Fibre Reinforcement

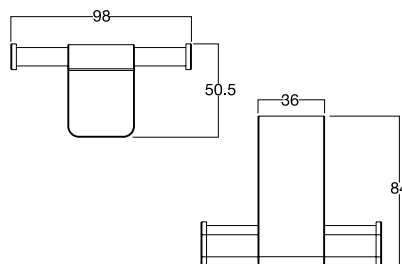
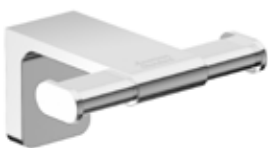


Acacia Evolution 1.7M Acrylic Drop-In Tub
BTAS6719-002ASXJFO

L1705 x W855 x H590 mm

Acrylic with E-Fibre Reinforcement

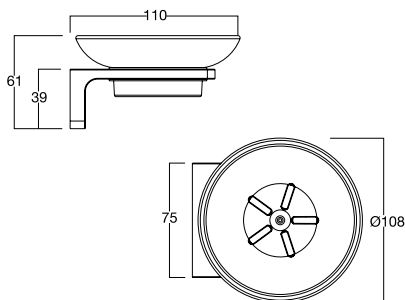
Acacia Evolution / Accessories



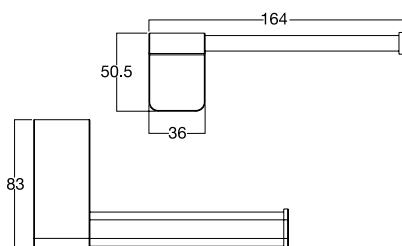
Acacia Evolution Robe Hook
F13810

Acacia Evolution / Accessories

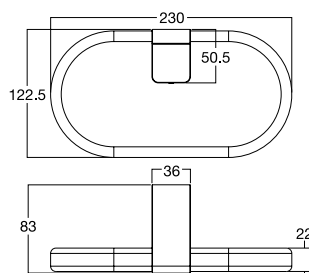
Acacia Evolution Soap Dish
FFAS1382-908500BCO



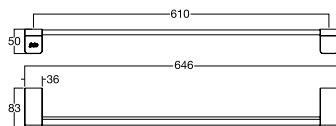
Acacia Evolution Paper Holder
FFAS1387-908500BCO



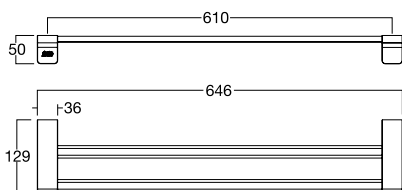
Acacia Evolution Towel Ring
FFAS1390-908500BCO



Acacia Evolution Towel Bar
FFAS1393-908500BCO



Acacia Evolution Double Towel Bar
FFAS1394-908500BCO



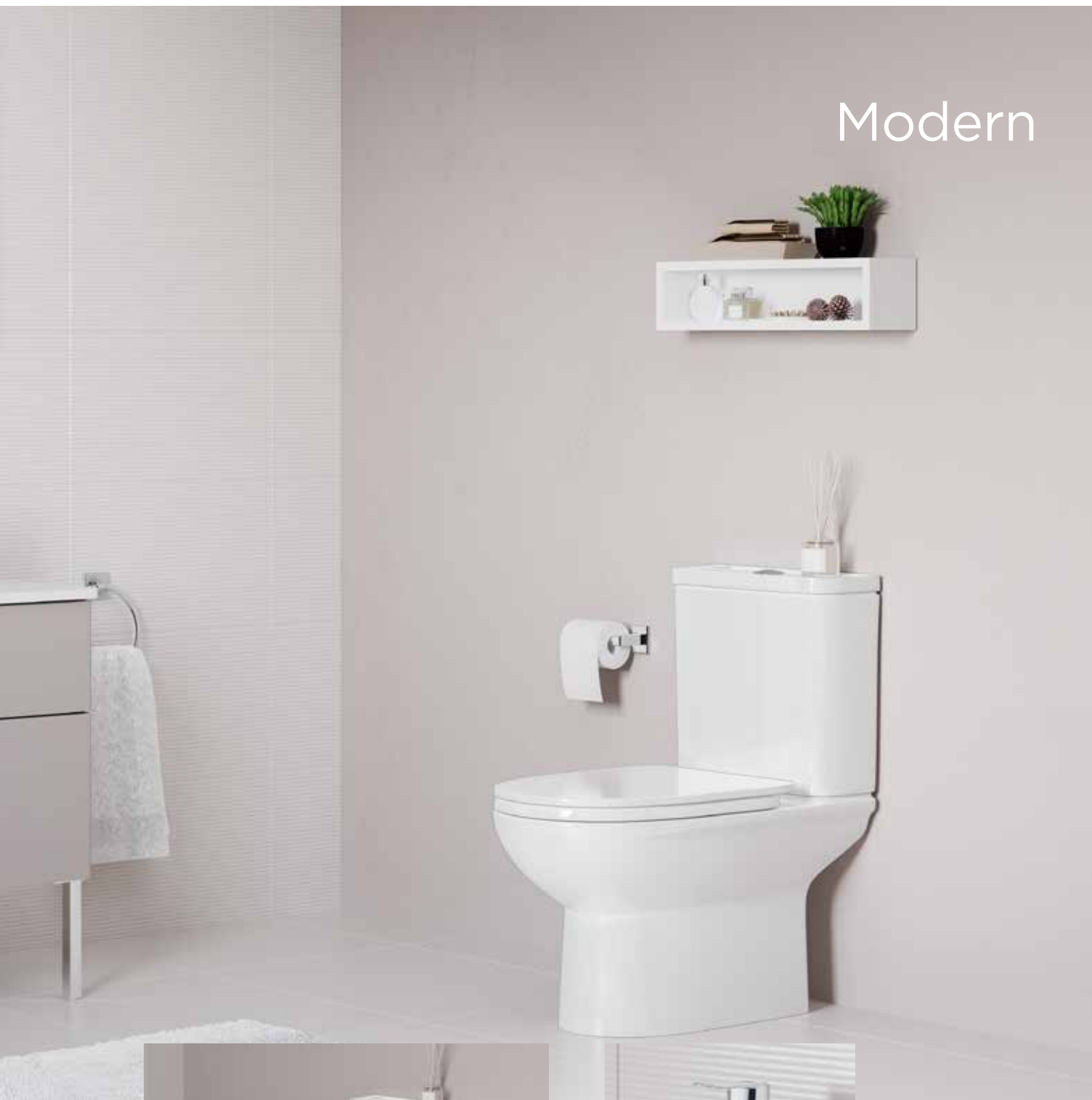
Neo Modern™



Convenience & smart functionality

For those who value practical comfort and clever functionality with a modern look. Neo Modern™ combines convenience and smart functionality to meet evolving needs of modern living. The collection explores the tangible, ergonomic details that elevate your experience. And the simplicity of this collection allows you to pair it easily with any bathroom styles.

Modern



**Neo Modern
Close-Coupled Toilet**
CL26305-6DACTNFTL

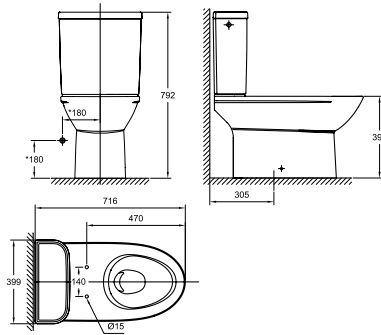


**Neo Modern
Extended Basin Mixer**
FFAS0703-1P15EOBPO



**Neo Modern
Vessel Wash Basin**
CCASF633-0000410FO

Neo Modern / Toilets

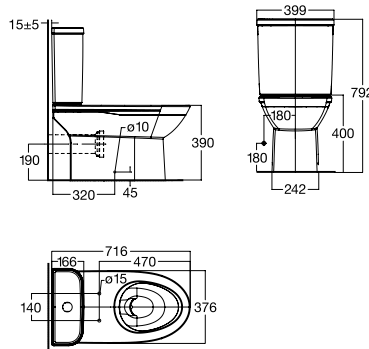


Neo Modern Touchless Close-Coupled Toilet

CL26305-6DACTNFTL

L716 x W399 x H792 mm

Washdown
4.8L Single Flush
305mm, S-Trap
Elongated Bowl



Neo Modern Close-Coupled Toilet

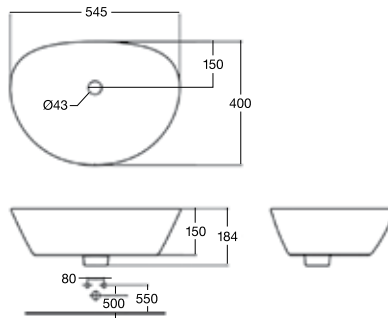
C26300B

L716 x W399 x H792 mm

Washdown
3/4.5 L Dual Flush
305 mm, S-Trap
Elongated Bowl



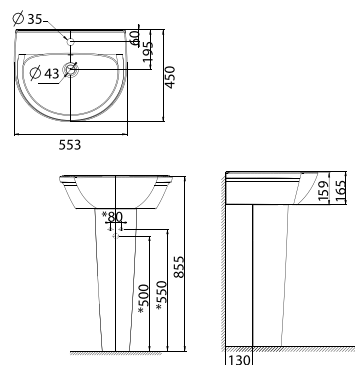
Neo Modern / Wash Basins



Neo Modern Vessel Wash Basin

CCASF633-0000410F0

L545 x W400 x H184 mm

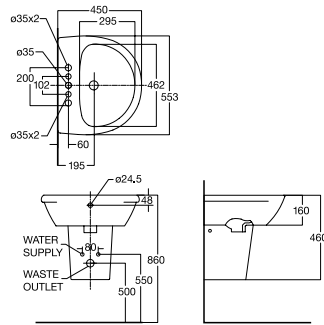


Neo Modern 550mm Full Pedestal Wash Basin

CL09531-6DACTLW/
CCASF711-0000410F0

L553 x W450 x H860 mm

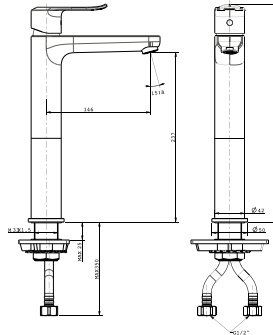
Neo Modern / Wash Basins



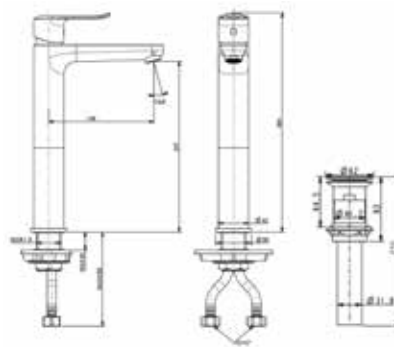
Neo Modern 550mm Semi Pedestal Wash Basin
 CL09531-6DACTLW/
 CCASF712-1000410FO

L553 x W450 x H460 mm

Neo Modern / Basin Faucets



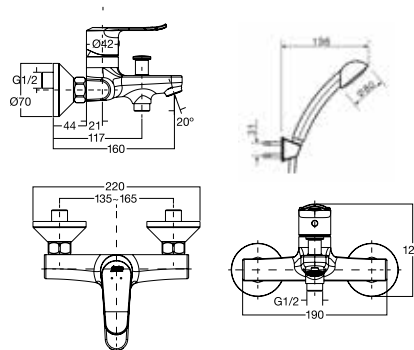
Neo Modern Extended Basin Mono
 FFAS0707-101500BFO



Neo Modern Extended Basin Mixer with Pop-Up Drain
 FFAS0703-1P15E0BP0



Neo Modern / Bath & Showers



Neo Modern Exposed Bath & Shower Mixer with Shower Kit
 FFAS0711-601500BFO

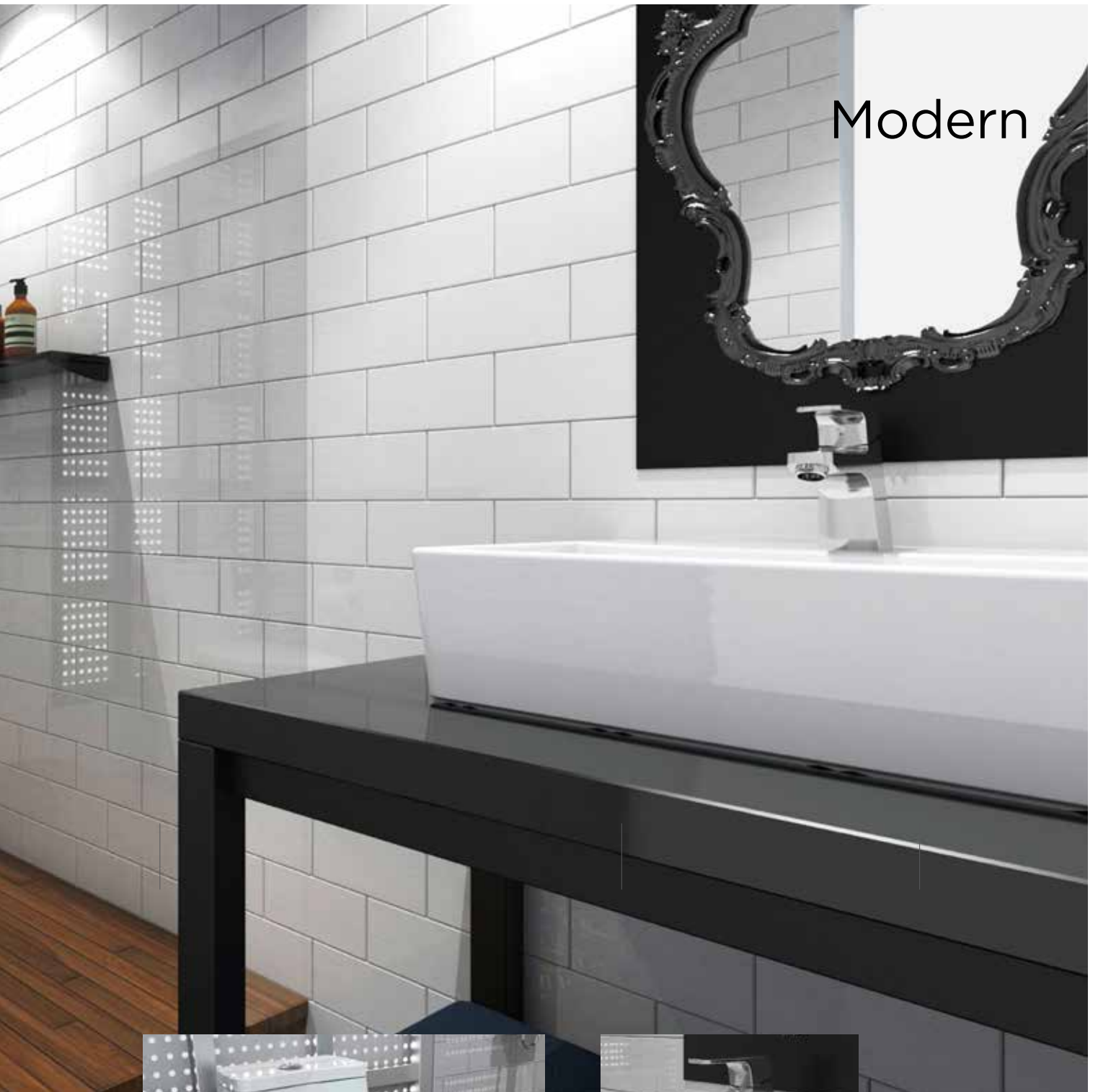


Flexio™



Soft & bold influences

A collection that truly meets the need for a his-and-hers dream bathroom. Flexio™ celebrates the union of soft contours and strong geometric design. The design offers an inviting and comfortable experience yet remains architectural. A harmonious balance is achieved as contrasting elements come together to create a unique modern appeal that expresses both soft curves and bold influences.



Modern

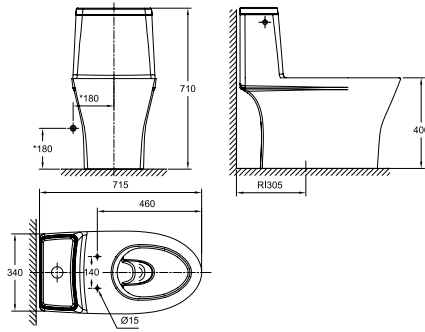


Flexio
One-Piece Toilet
 CL25300-6DAPHST



Square Thin
500mm Vessel Wash Basin
(with Faucet Deck)
 CCASF613-1010410FO

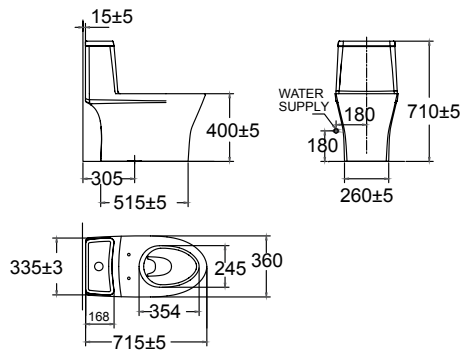
Flexio / Toilets



Flexio Touchless One-Piece Toilet
CL25305-6DACTTL

L715 x W365 x H710 mm

Washdown
4.8L Single Flush
305mm, S-Trap
Elongated Bowl



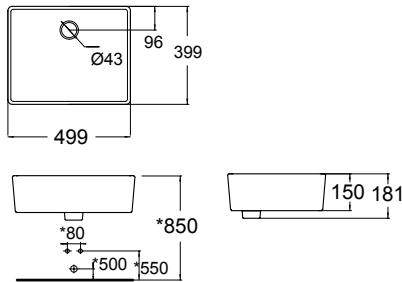
Flexio One-Piece Toilet
CL25300-6DAPHST

L715 x W360 x H710 mm

Washdown
3/4.2 L Dual Flush
305 mm, S-Trap
Elongated Bowl

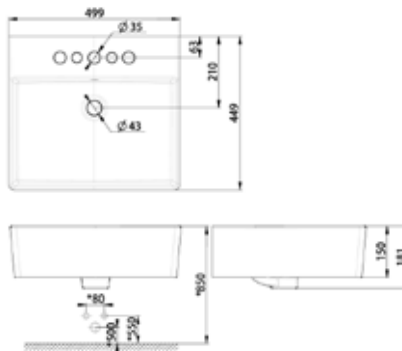


Flexio / Wash Basins



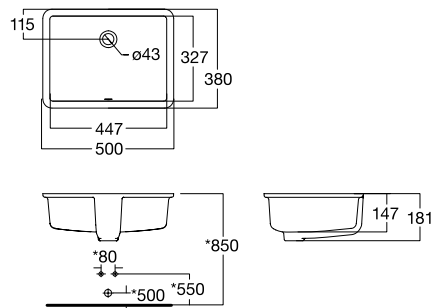
Square Thin 500mm Vessel Wash Basin
CCASF611-0000410F0

L500 x W400 x H181 mm



Square Thin 500mm Vessel with Deck Wash Basin
CCASF613-1010410F0

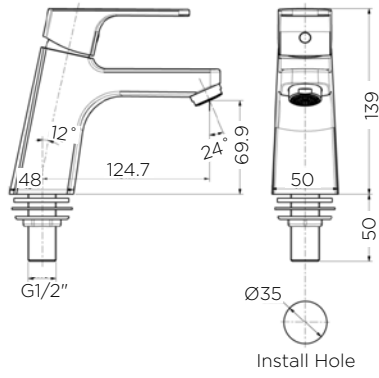
L500 x W450 x H181 mm



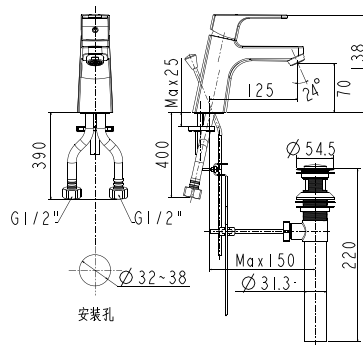
Square Thin 500mm Under Counter Wash Basin
CCASF514-1000410F0

L500 x W380 x H181 mm

Flexio / Basin Faucets



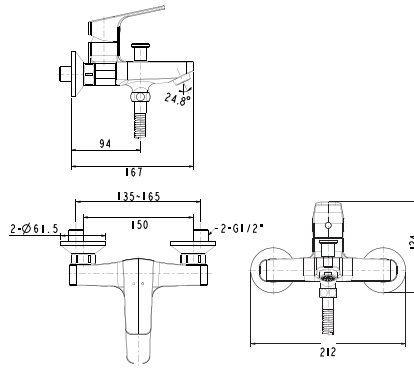
Concept Square Basin Mono
FFAS0406-101500BFO



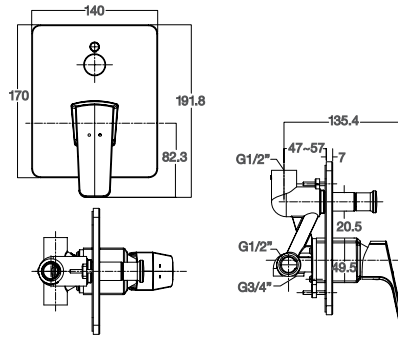
Concept Square Basin Mixer with Pop-Up Drain
FFAS0401-101500BFO



Flexio / Bath & Showers



Concept Square Exposed Bath & Shower Mixer
FFAS0411-601500BFO



Concept Square Concealed Bath & Shower Mixer
FFAS0421-609500BCO



Concept Nuovo™



Harmonious mix & match

A trendy and flexible collection that embraces the diversities in design and space. Designed to be adaptable, functional and modern, Concept Nuovo™ empowers you to boldly configure any bathroom just the way you want it. Be it round or square, this versatility translates into a seamless and fuss-free solution, delivering the ultimate promise in creating an architectural bathroom interior for all.

Contemporary



**Concept D-Shape
Close-Coupled Toilet**

CL27055-6DACTST



**Concept Round
Basin Mixer**

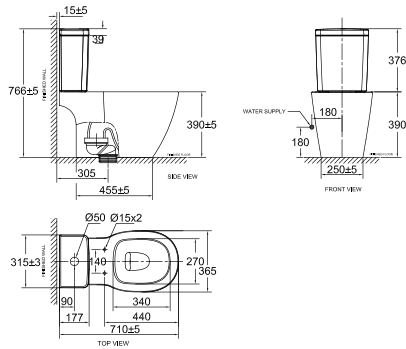
FFAS1401-101501BF0



**Concept D-Shape
Semi Pedestal
Wash Basin**

CL05531-6DAL1B

Concept Nuovo / Toilets



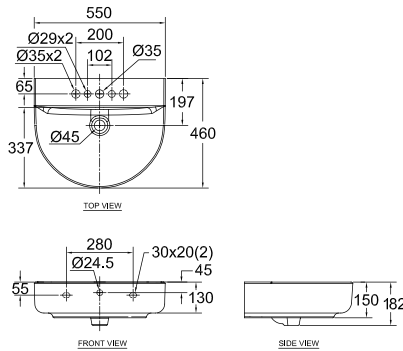
Concept Square Close-Coupled Toilet CL27045-6DAPHST

L710 x W365 x H766 mm

Washdown
3/4.5 L Dual Flush
305 mm, S-Trap
U-Shape Bowl

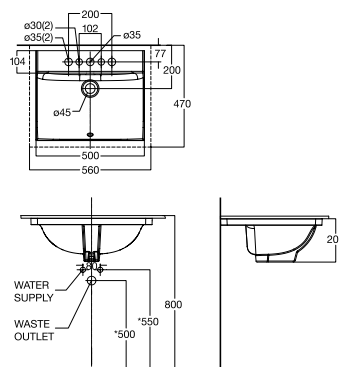


Concept Nuovo / Wash Basins



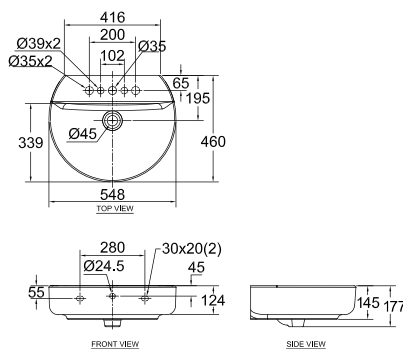
Concept D-shape 550mm Wall-Hung Wash Basin CLO553I-6DACTLW

L550 x W460 x H150 mm



Concept Square 560mm Under Counter Wash Basin CLO451I-6DAWDLU

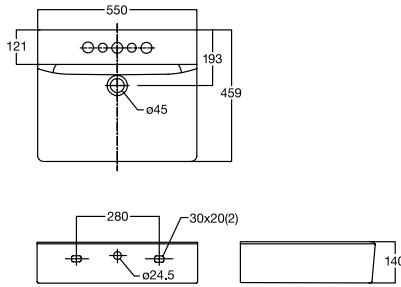
L560 x W470 x H200 mm



Concept Round Wall-Hung Wash Basin CLO552I-6DACTLW

L548 x W460 x H145 mm

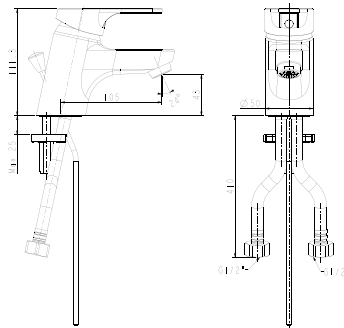
Concept Nuovo / Wash Basins



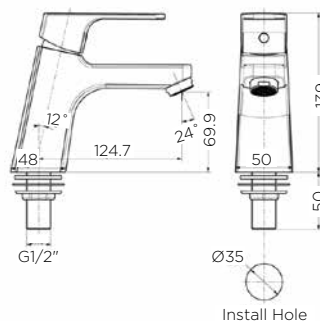
Concept Square 550mm Wall-Hung Wash Basin
CLO550I-6DACTLW

L549 x W459 x H140 mm

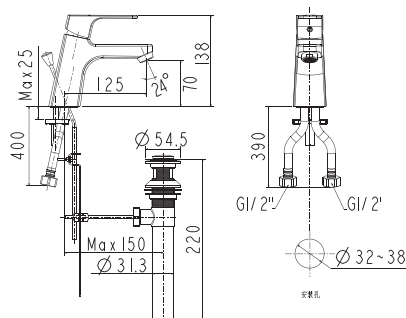
Concept Nuovo / Basin Faucets



Concept Round Basin Mixer
FFAS140I-101501BFO



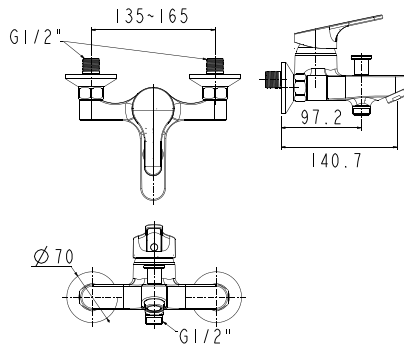
Concept Square Basin Mono
FFAS0406-101500BFO



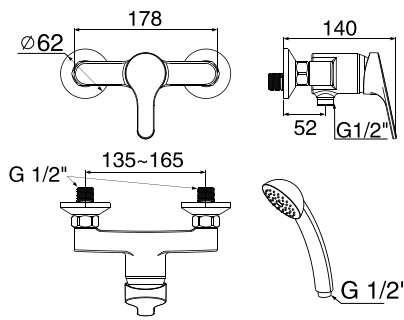
Concept Square Basin Mixer with Pop-Up Drain
FFAS040I-101500BFO



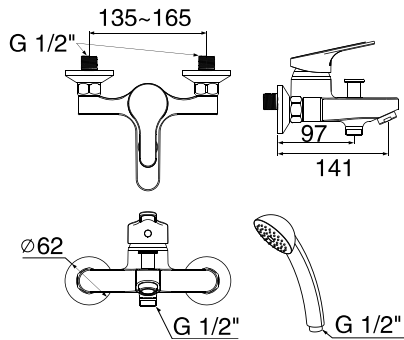
Concept Nuovo / Bath & Showers



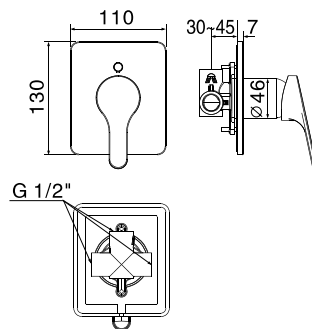
Concept Round Exposed Bath & Shower Mixer
FFAS1411-601500BFO



Concept Round Exposed Shower Mixer with Shower Kit
FFAS1412-701500BFO



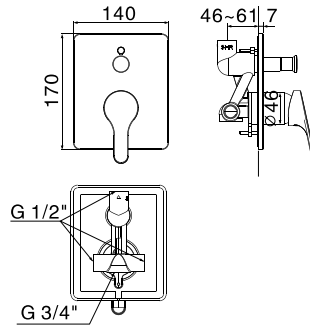
Concept Round Exposed Bath & Shower Mixer with Shower Kit
FFAS1411-601500BFO



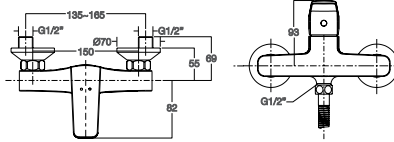
Concept Round Concealed Shower Mixer
FFAS1422-709500BFO



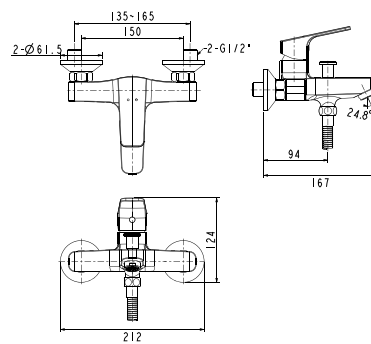
Concept Nuovo / Bath & Showers



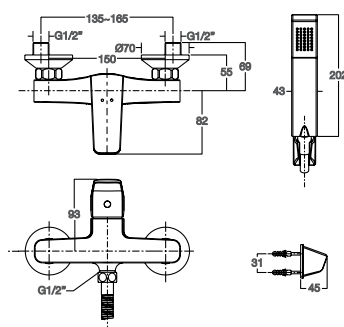
Concept Round Concealed Bath & Shower Mixer
FFAS1420-609500BFO



Concept Square Exposed Shower Mixer
FFAS0412-701500BFO



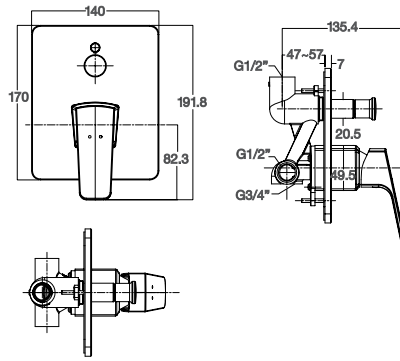
Concept Square Exposed Bath & Shower Mixer
FFAS0411-601500BFO



Concept Square Exposed Shower Mixer with Shower Kit
FFAS0412-701500BFO



Concept Nuovo / Bath & Showers

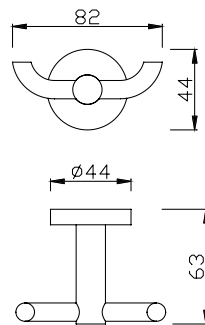


Concept Square Concealed Bath & Shower Mixer

FFAS0421-609500BFO

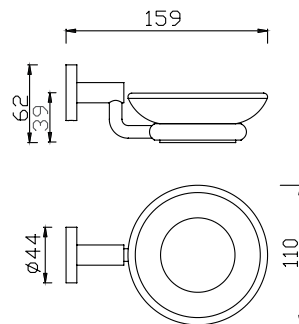


Concept Nuovo / Accessories



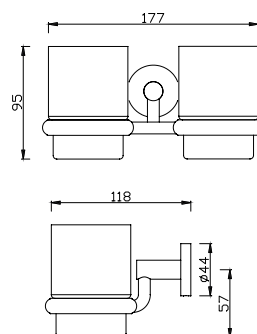
Concept Round Robe Hook

FFAS1481-908500BC0



Concept Round Soap Dish

FFAS1482-908500BC0

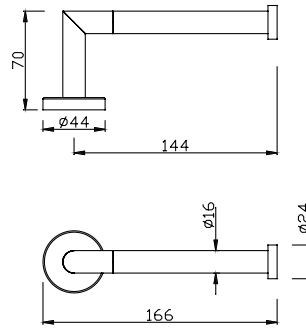


Concept Round Double Glass Holder

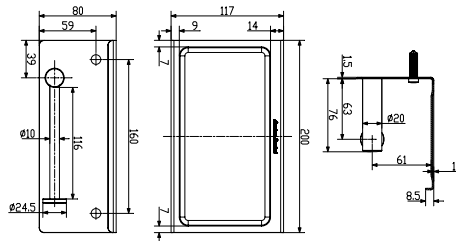
FFAS1485-908500BC0

Concept Nuovo / Accessories

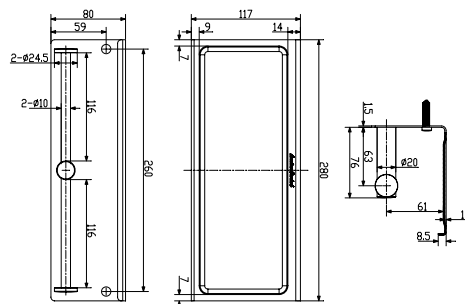
Concept Round Paper Holder
FFAS1487-908500BCO



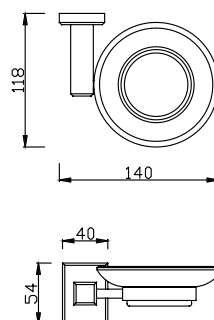
Concept Round Single Tissue Holder with Shelf
FFAS1498-908500BCO



Concept Round Double Tissue Holder with Shelf
FFAS1499-908500BCO

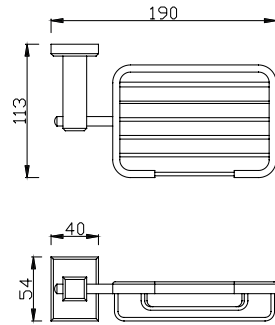


Concept Square Soap Dish
FFAS0482-908500BCO

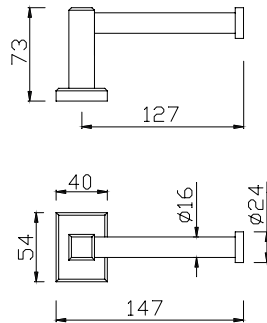
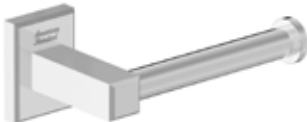


Concept Nuovo / Accessories

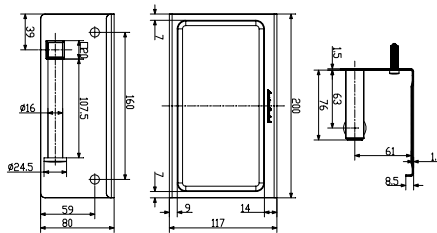
Concept Square Grille Soap Dish
FFAS0483-908500BC0



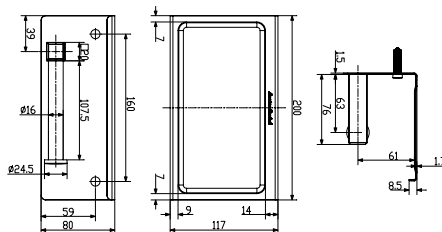
Concept Square Paper Holder
FFAS0487-908500BC0



Concept Square Single Tissue Holder with Shelf
FFAS0498-908500BC0

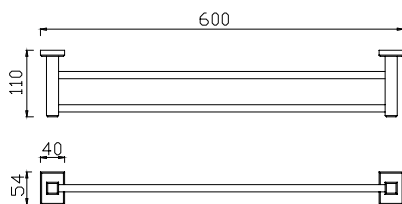


Concept Square Double Tissue Holder with Shelf
FFAS0499-908500BC0

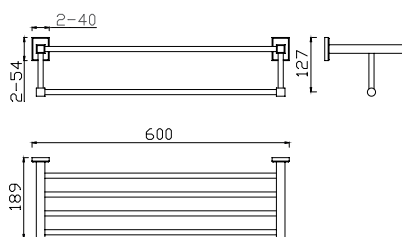


Concept Nuovo / Accessories

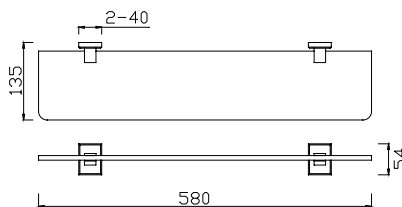
Concept Square Double Towel Bar
FFAS0494-908500BC0



Concept Square Towel Shelf
FFAS0495-908500BC0



Concept Square Glass Shelf
FFAS0491-908500BC0



Compact Codie™



Space-saving collection

Size isn't everything, but bathrooms are getting smaller. Designed as a space saving solution, Compact Codie™ creates more out of less even in the smallest of space by integrating practical and streamlined attributes, so even a bathtub can fit in for some me-time space.

Contemporary



**Compact Codie
Close-Coupled Toilet**

CL24075-6DACTCB



**Simplica
Basin Mixer**

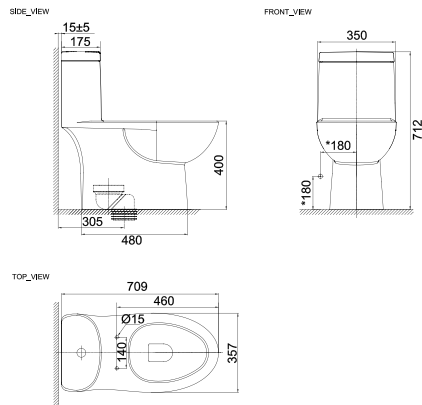
FFASB201-101501BF0



**New Codie
Semi Pedestal 430mm
Round Wash Basin**

CCAS0532-1010400C0

Compact Codie / Toilets

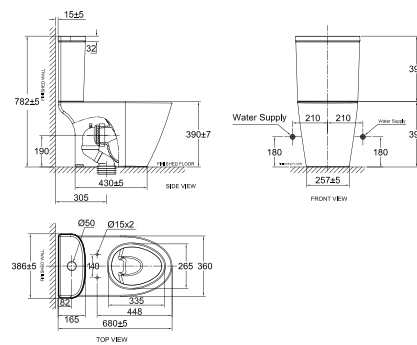


New Codie II One-Piece Toilet

CCAS2033-0200400C0

L709 x W357 x H712 mm

Washdown
3/4.5 L Dual Flush
305 mm, S-Trap
Elongated Bowl

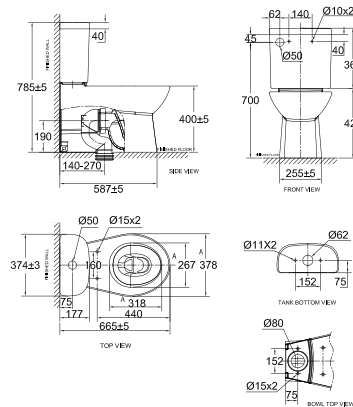


Compact Codie Close-Coupled Toilet

CL24075-6DACTCB

L680 x W386 x H782 mm

Washdown
3/4.2 L Dual Flush
305 mm, S-Trap
Semi-Elongated Bowl

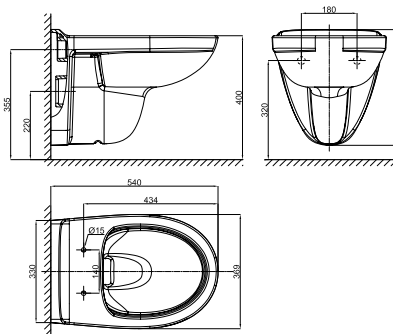


Compact Codie Close-Coupled Back-to-Wall Toilet

CL3319B-6DAAUCB

L665 x W378 x H785 mm

Washdown
3/4.5 L Dual Flush
140-245 mm, S-Trap
Round Bowl



Compact Codie Wall-Hung

CCAS2207-0220400F0

L368 x W540 x H373mm

Washdown
3 / 4.5L Dual flush
220mm, P trap



Compatible with:
Concealed Cisterns

Concealed Flush Valve

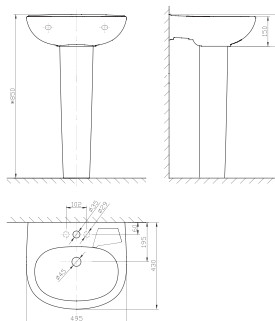


Concept Oblong
(Best Design Match)

Concept Pillow

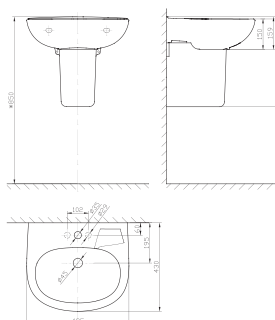
Concept Arc Dual FV

Compact Codie / Wash Basins



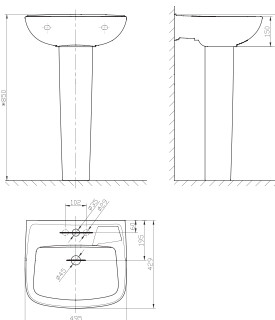
New Codie Full Pedestal 430mm Round Wash Basin
CCAS0530-1010400C0

L495 x W430 x H850 mm



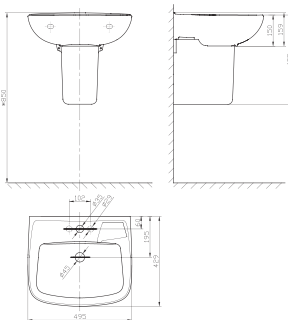
New Codie Semi Pedestal 430mm Round Wash Basin
CCAS0532-1010400C0

L495 x W430 x H425 mm



New Codie Full Pedestal 430mm Square Wash Basin
CCAS0560-1010400C0

L495 x W430 x H850 mm



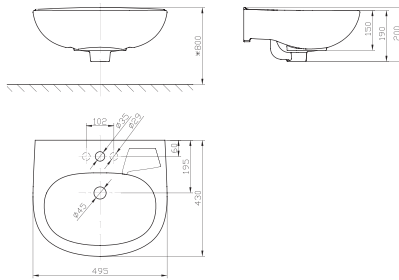
New Codie Semi Pedestal 430mm Square Wash Basin
CCAS0562-1010400C0

L495 x W430 x H425 mm

Compact Codie / Wash Basins

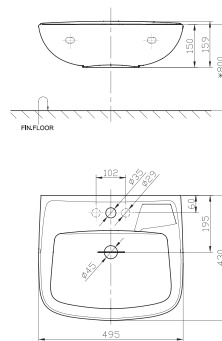
New Codie Wall-Hung 430mm Round Wash Basin
CCAS1530-1010410CO

L495 x W430 x H195 mm



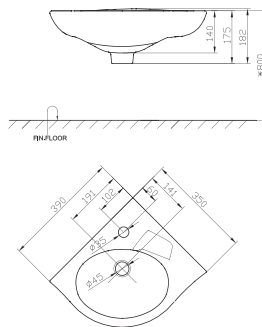
New Codie Wall-Hung 430mm Square Wash Basin
CCAS1560-1010410CO

L495 x W430 x H159 mm



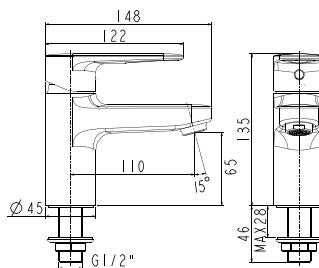
New Codie Wall-Hung Corner Wash Basin
CCAS0220-1010410CO

L390 x W350 x H182 mm

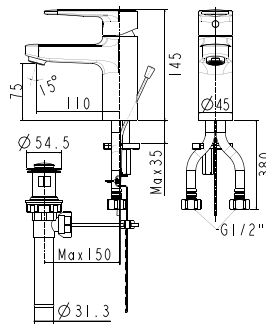


Compact Codie / Basin Faucets

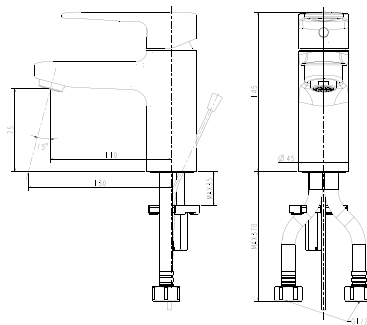
Simplica Basin Mono
FFASB206-101500BFO



Compact Codie / Basin Faucets



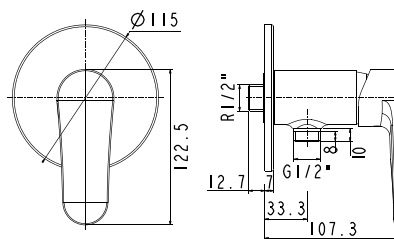
Simplicia Basin Mixer with Pop-Up Drain
FFASB201-101500BCO



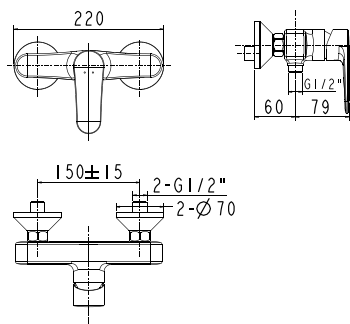
Simplicia Basin Mixer
FFASB201-101501BFO



Compact Codie / Bath & Showers



Simplicia Exposed Shower Mono
FFASB226-701500BFO

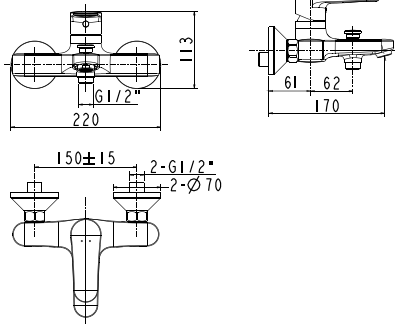


Simplicia Exposed Shower Mixer
FFASB212-709500BCO

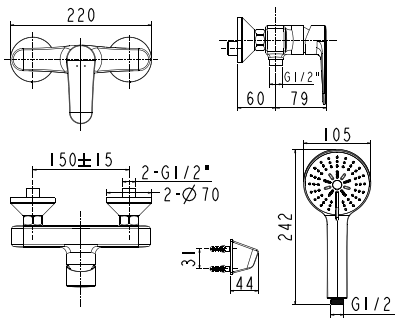


Compact Codie / Bath & Showers

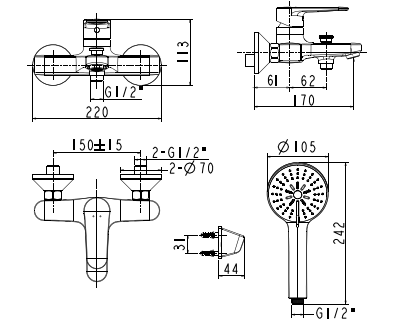
Simplica Exposed Bath & Shower Mixer
FFASB211-609500BC0



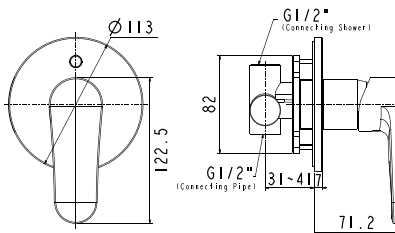
Simplica Exposed Shower Mixer with Shower Kit
FFASB212-701500BC0



Simplica Exposed Bath & Shower Mixer with Shower Kit
FFASB211-601500BC0

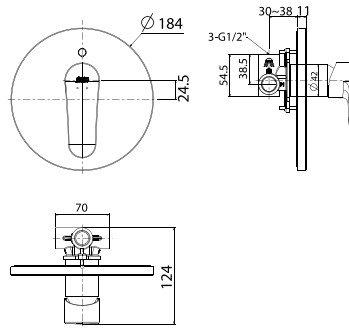


Simplica Concealed Shower Mono
FFASB236-709500BFO

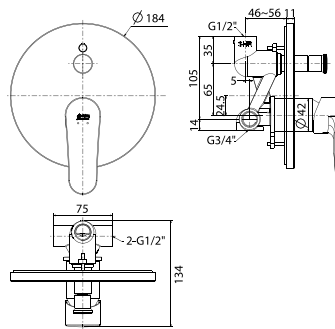


Compact Codie / Bath & Showers

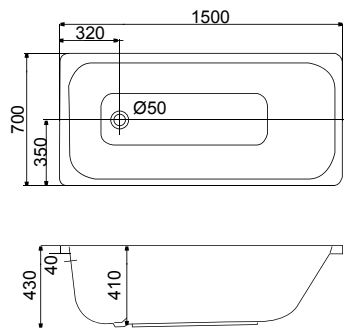
Simplica Concealed Shower Mixer
FFASB222-709500BCO



Simplica Concealed Bath & Shower Mixer
FFASB221-609500BCO



New Codie 1.5M Acrylic Drop-In Tub
BTAS6512-0520400C5



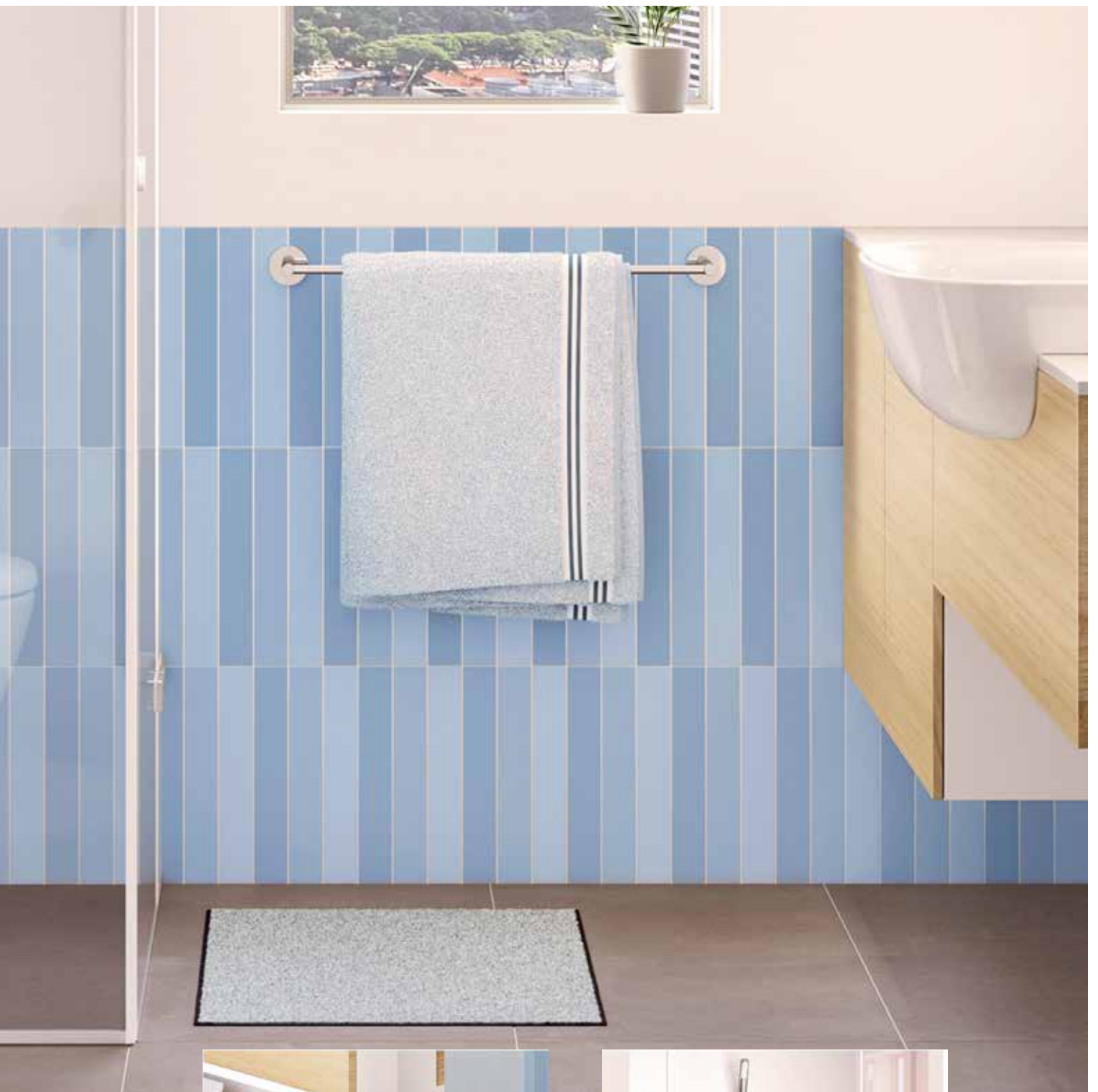
L1500 x W700 x H430 mm

Acrylic with E-Fibre Reinforcement

Loven Collection



Everyone deserves a space where love and comfort thrive. Get the style and comfort you'll love to come home to with a collection designed to mix and match seamlessly.



Basin and faucet



Shower mixer

Loven Collection / Toilet



One-piece Concealed
L720 x W372 x H695mm
1010891C00



Close-coupled
L720 x W372 x H695mm
1010981C00



Loven Collection / Basin



Countertop
L450 x W550 x H167mm
CCAS0462-0010410FO



Semi-counter
L450 x W550 x H167mm
1011031C00



Wall-hung with Pedestal
L450 x W550 x H482mm
CCAS0262-0010410FO
CCAS7062-1000410FO

Loven Collection / Faucet



Basin Mono
FFAS1M06-101500BT0



Basin Mixer
FFAS1M01-101500BT0



Double Vortex

Maximum flushing performance with minimal water usage



ComfortSeat

User-friendly, ergonomic designs with soft-closing covers



Hygiene Rim

Rimless design for effective removal of dirt and stains with just one wipe



Dual Flush

Choice between a half flush and a full flush for liquids or solids while still offering superior flushing performance.



ComfortClean

Inhibits bacterial growth for better protection of your family



ComfortMove

Engineered for smooth handle performance to provide optimal precision and comfort

Loven Collection / Bath & Shower



Exposed Mono Shower
FFASIM26-709500BTO



Exposed Shower Mixer
FFASIM12-701500BTO



Exposed Bath & Shower Mixer
FFASIM11-601500BTO



Concealed Mono Shower
FFASIM36-709500BTO



Comfort Space

Maximize room for movement with an ergonomic, minimalist form factor



SpaceCreate

Maximize your area with minimalist, space-saving design



Water Saving

Innovative water-saving features that are both ecological and economical



CoolShield

Designed to keep the faucet body cool during hot showers to prevent scalding shocks



DuraShine

Shiny chrome finish provides an enduring, timeless brilliance



So Inviting you wouldn't want to leave

Leave your worries at the door with a welcoming and safe bathroom space.

The Loven Collection's soft shapes and curves create an inviting environment for the whole family to come home to.

From the smooth, easy-to-clean surfaces to the ergonomic handles, every detail is thoughtfully crafted to create the perfect safe haven for you and your loved ones.



CoolShield

Protect your family from scalding shocks with faucet bodies that stay cool during hot showers



SpaceCreate

Additional storage space with thoughtfully-designed and space-optimizing features

Toilets



At American Standard, we take our toilets seriously. Each ceramic piece is purposefully designed to enhance bathroom living and hygiene – from powerful flushing performance and antibacterial glaze for added hygiene to ergonomic height and comfort curve seat for a comfortable experience. With a wide array to choose from, we are confident you will find your ideal toilet here.

Key features and technologies

Hygiene



SIPHONMAX

Dynamic vacuum mechanism with side water jets create a powerful swirl to evacuate both heavy and light waste.



DOUBLE VORTEX

Maximum flushing performance, minimum water usage.



AQUA CERAMIC

Super hydrophilic technology prevents dirt and dark ring stains from sticking to ceramic surface.



COMFORTCLEAN

Effectively kills E. coli bacteria according to tests done with IMSL.

Comfort



RIGHT HEIGHT

Easy to get on and off, especially for the elderly, pregnant and disabled.



COMFORT PUSH BUTTON

A larger surface area for ease of use.



COMFORT CURVE SEAT

An ergonomic fit that comfortably contours to the body.



ARMORLID

Highly durable seat and cover with excellent resistance to scratch, impact and discoloration.

Convenience



POWER RIM

Eliminates hidden, hard-to-reach surfaces for an effective removal of dirt and stain buildup.



HYGIENE RIM

Truly rimless design that can be cleaned in one swipe.



SKIRTED DESIGN

Premium design allows for quick and easy exterior cleaning.



SLOW-CLOSE SEAT

Gentle and quiet closing action.



EASY LIFT

Unique lever design for lifting the seat cover easily.



EASY RELEASE

Easy removal for thorough cleaning.

Sustainability



WATER-SAVING

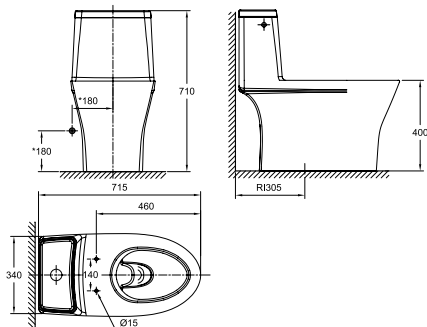
Water-saving for ecological and economical sense.



DUAL FLUSH

Choice between a half flush and a full flush for liquids or solids while still offering superior flushing performance.

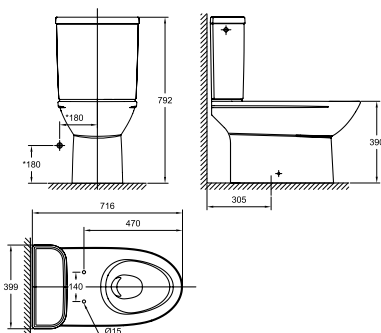
Touchless Toilets



Flexio Touchless One-Piece Toilet
CL25305-6DACTTL

L715 x W365 x H710 mm

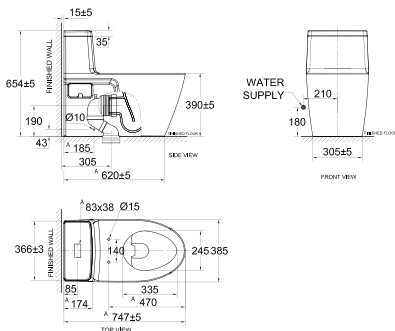
Washdown
4.8L Single Flush
305mm, S-Trap
Elongated Bowl



Neo Modern Touchless Close-Coupled Toilet
CL26305-6DACTNFTL

L716 x W399 x H792 mm

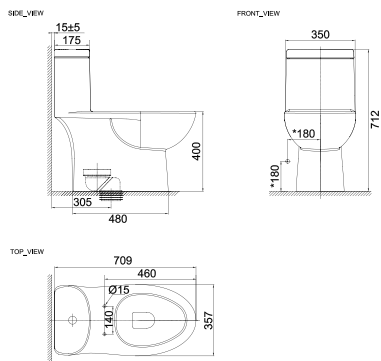
Washdown
4.8L Single Flush
305mm, S-Trap
Elongated Bowl



Acacia Evolution One-Piece Toilet
CL20075-6DAPHCB

L747 x W385 x H654 mm

Double Vortex
2.6/4 L Dual Flush
305 mm, S-Trap
Elongated Bowl



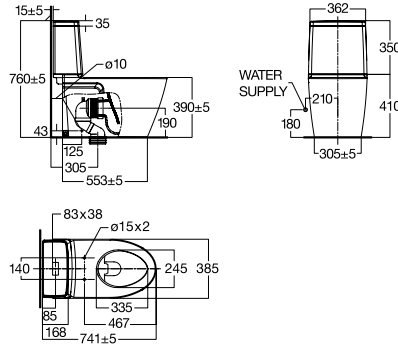
New Codie II One-Piece Toilet
C20240AB

L709 x W357 x H712 mm

Washdown
3/4.5 L Dual Flush
305 mm, S-Trap
Elongated Bowl



Close-Coupled Toilets



Acacia Evolution Close-Coupled Toilet

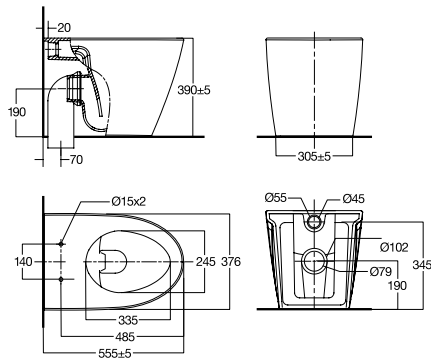
CL23075-6DAPHCB

L740 x W385 x H760 mm

Double Vortex
2.6/4 L Dual Flush
305 mm, S-Trap
Elongated Bowl



Wall Hung Toilets



Acacia Evolution Wall-Hung Toilet

CL3119B-6DAPHPT

L555 x W376 x H360 mm

Double Vortex
3/4.5 L Dual Flush
230 mm, P-Trap
Elongated Bowl



Compatible with:
Concealed Cisterns



Concept Oblong
(Best Design Match)



Concept Pillow



Concealed Flush Valve

Concept Arc Dual FV

Spalet



There's a Spalet for everyone. Leveraging on INAX – which is part of LIXIL – expertise in innovating shower toilets since 1967, the American Standard Spalet collection features beautifully crafted shower toilets and electronic bidet seats that are enhanced with pampering spa- like functions to deliver everyday comfort and enhanced personal hygiene right in your own home.

Discover more at www.ilovespalet.com

Key features and technologies: Shower toilets

Hygiene



DUAL NOZZLES

Equipped with dedicated front and rear cleansing nozzles.



POSTERIOR CLEANSING

Offers a strong, direct spray for a thorough cleanse.



FEMININE AIR BUBBLE SOFT CLEANSING

A gentle flow of warm aerated water provides a soothing shower that is gentle enough for a woman's delicate areas.



DEODORIZER

The deodorizer is activated as soon as the user is seated.



ANTI-BACTERIAL PROTECTION

Uses anti-bacterial resin on seat, cover, nozzle and remote control. Certified to SIAA ISO 22196 standard for anti-bacterial efficacy (seat only).



SIPHONMAX

A dynamic vacuum mechanism with side water jets for a powerful swirl, and a lower jet to remove heavy and light waste completely.



SELF-CLEANING NOZZLES

Nozzle tips are rinsed with water before and after every use.



NOZZLE SHUTTER

A nozzle shutter prevents waste materials from getting to the nozzle tips, thus ensuring better hygiene.



AUTO DRAIN SYSTEM

Unused water in boiler is automatically replaced after 72 hours to prevent bacterial growth.

Comfort



INSTANT HEATING SYSTEM

Instant heating system offers instant and constant warm water for comfort.



HEATED SEAT

Temperature can be easily adjusted for comfort.



MASSAGE

The spray alternates between strong and mild sprays, creating a massaging effect that indulges the user.



DRYER

Temperature can be easily adjusted for comfort. Computer-memorized settings allow one to keep the same settings as the previous user's.

Convenience



QUICK-DETACH SEAT COVER

The design of the seat cover allows it to be easily detached for convenient cleaning of hard-to-reach areas.



SLOW-CLOSING SEAT & COVER

Gentle and quiet closing action.



AUTO SEAT & COVER

A sensor detects your presence, and automatically opens (and closes) the lid.



REMOTE CONTROL

All bidet functions can be easily operated via a handy remote control.



AUTO FLUSH

Identifies the type of flush based on the time spent on the shower toilet.

Energy & Water Saving



ONE-TOUCH POWER SAVER

Under the power saving mode, water heating and seat heating functions will stop, while cleansing and flushing will still operate. Machine will resume to original settings after 8 hours.



WATER-SAVING

Water-saving for ecological and economical sense.



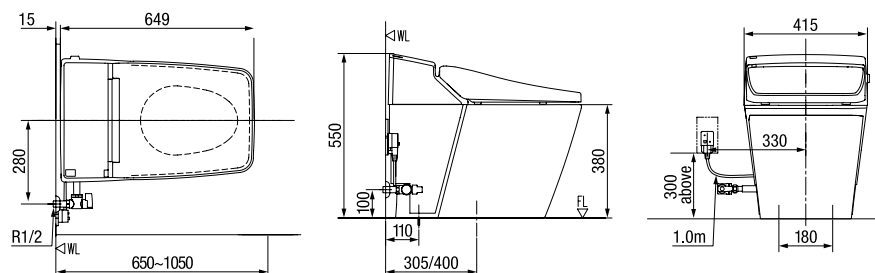
CIRCUIT BREAKER

Power supply will automatically be cut off under unusual situations, helping to conserve energy.

Acacia Evolution Shower Toilet



Acacia Evolution Shower Toilet Auto Seat & Cover	
Product Code	CEAS5006-001A400C0 (305mm) CEAS5007-001A400C0 (400mm)
Warm Water Supply System	Hot Water Storage
Flushing System	SiphonMax
Flush Volume	3.5 / 5 L
Dimensions (L x W x H)	649 x 415 x 550 mm
Rough-In	305 / 400 mm, S-Trap
Hygiene	
Anti-Bacterial Protection	<ul style="list-style-type: none"> Seat (SIAA Standard) • Cover • Nozzle • Remote Control •
Oscillating	•
Nozzle	Dual Nozzles
Nozzle Position Adjustment	5 Levels
Posterior Cleansing	•
Narrow Cleansing (Posterior)	•
Feminine Air Bubble Soft Cleansing	•
Super Wide Cleansing (Feminine)	•
Nozzle Shutter	•
Self-Cleaning Nozzle	•
Comfort	
Heated Seat (Adjustable Temperature)	6 Levels
Dryer (Adjustable Temperature)	3 Levels
Warm Water Supply System	Instant Heating
Deodorizer	•
Massage	•
Convenience	
Quick-Detach Seat Cover	•
Seat Sensor	•
Auto Seat & Cover	•
Slow-Closing Seat & Cover	•
Auto Flush	•
Remote Control	•
Aqua Ceramic	•
ComforClean	•
Energy Saving	
One-Touch Power Saver (8Hr)	•

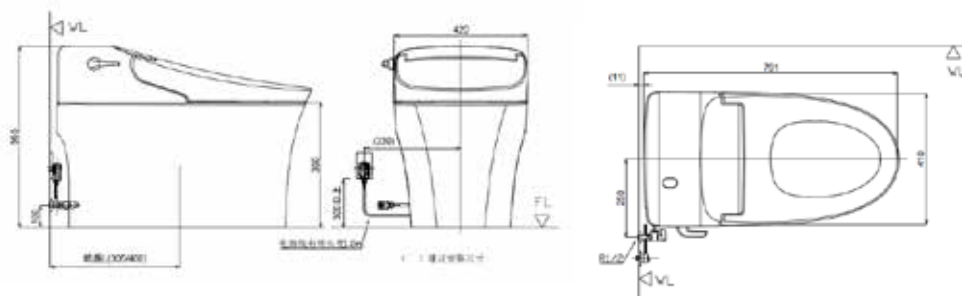


Anti-bacterial protection is certified to SIAA ISO 22196 standard.

AEROZEN G2 Shower Toilet



		AEROZEN G2 Shower Toilet
Product Code		CEAS5017-0110400TO (305mm)
Warm Water Supply System		Hot Water Storage
Flushing System		SiphonMax
Flush Volume		6L
Dimensions (L x W x H)		791 x 453 x 565 mm
Rough-In		305mm, S-Trap
Hygiene		
Anti-Bacterial Protection	Seat (SIAA Standard)	•
	Nozzle	•
	Remote Control	•
Nozzle		Dual Nozzles
Nozzle Position Adjustment		5 Levels
Posterior Cleansing		•
Wide Cleansing (Posterior)		•
Wide Cleansing (Feminine)		•
Auto Flush		•
Nozzle Shutter		•
Self-Cleaning Nozzle		•
Aqua Ceramic		•
ComfortClean		•
Comfort		
Heated Seat (Adjustable Temperature)		6 Levels
Slow-Closing Seat & Cover		•
Dryer (Adjustable Temperature)		3 Levels
Deodorizer		•
Massage		•
Convenience		
Quick-Detach Seat Cover		•
Seat Sensor		•
Remote Control		•
Manual Flush		•
Energy Saving		
Power Saving		•
One-Touch Power Saver (8Hr)		•

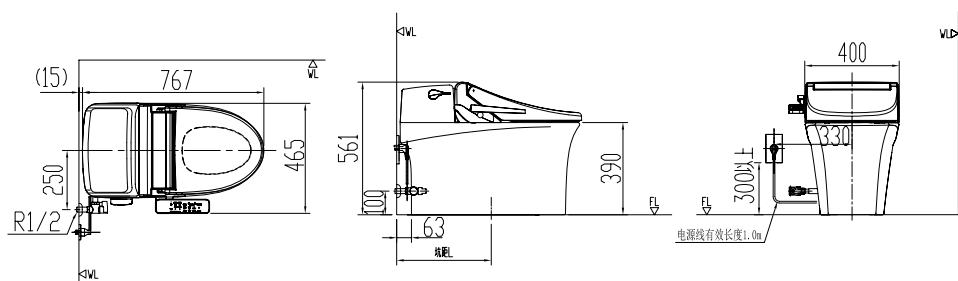


Anti-bacterial protection is certified to SIAA ISO 22196 standard.

E.ssential Shower Toilet



		e.ssential Shower Toilet
Product Code		CEAS5375-1000401C0 (305mm)
Warm Water Supply System		Hot Water Storage
Flushing System		Siphon Jet
Flush Volume		6L
Dimensions (L x W x H)		767 x 465 x 561 mm
Rough-In		305mm, S-Trap
Hygiene		
Anti-Bacterial Protection	Seat (SIAA Standard)	•
	Nozzle	•
Nozzle		Single Nozzle, Stainless Steel
Nozzle Position Adjustment		3 or 5 Levels
Spray Strength Adjustment		3 or 5 Levels
Posterior Cleansing		•
Self-Cleaning Nozzle		•
Aqua Ceramic		•
ComfortClean		•
Comfort		
Heated Seat (Adjustable Temperature)		3 or 5 Levels
Dryer (Adjustable Temperature)		3 Levels
Deodorizer		•
Massage		•
Convenience		
Slow-Closing Seat & Cover		•
Quick-Detach Seat Cover		•
Seat Sensor		•
Energy Saving		
One-Touch Power Saver (8Hr)		•

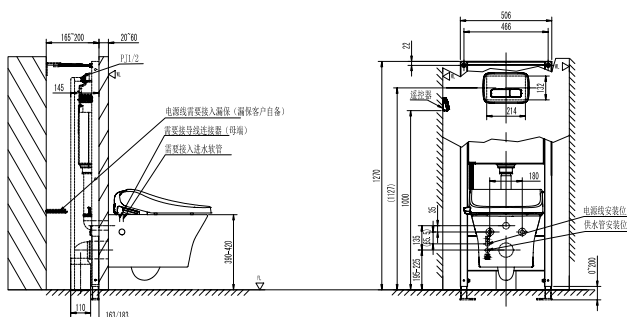
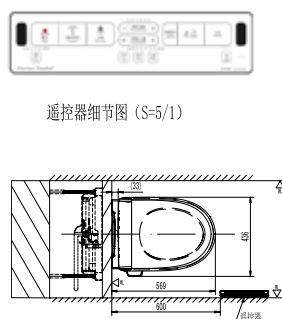


Anti-bacterial protection is certified to SIAA ISO 22196 standard.

E.ssential Shower Toilet



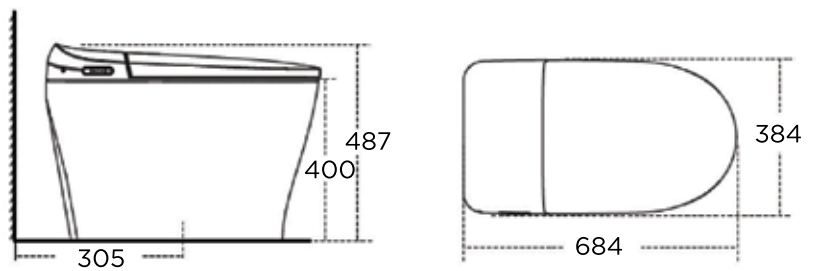
e.ssential Shower Toilet		
Product Code	CEAS5375-1000401C0 (305mm)	CEAS5376 -1000401C0 (400mm)
Warm Water Supply System	Hot Water Storage	
Flushing System	Siphon Jet	
Flush Volume	6L	
Dimensions (L x W x H)	767 x 465 x 561 mm	767 x 465 x 561 mm
Rough-In	305mm, S-Trap	400mm, S Trap
Hygiene		
Anti-Bacterial Protection	Seat (SIAA Standard)	•
	Nozzle	•
Nozzle	Single Nozzle, Stainless Steel	
Nozzle Position Adjustment	3 or 5 Levels	
Spray Strength Adjustment	3 or 5 Levels	
Posterior Cleansing	•	
Self-Cleaning Nozzle	•	
Aqua Ceramic	•	
ComfortClean	•	
Comfort		
Heated Seat (Adjustable Temperature)	3 or 5 Levels	
Dryer (Adjustable Temperature)	3 Levels	
Deodorizer	•	
Massage	•	
Convenience		
Slow-Closing Seat & Cover	•	
Quick-Detach Seat Cover	•	
Seat Sensor	•	
Energy Saving		
One-Touch Power Saver (8Hr)	•	



Anti-bacterial protection is certified to SIAA ISO 22196 standard.



e-Lite Shower Toilet	
Product Code	CEAS70DY-1000400T0
Warm Water Supply System	Instant heating
Flushing System	Siphon Jet
Flush Volume	4.8L
Water Pressure	0.08 Mpa
Dimensions (L x W x H)	684 x 384 x 487 mm
Rough-In	305mm, S-Trap
Hygiene	
Pre-Flush	•
UV Sterilization	•
Posterior Cleansing	•
Feminine Cleansing	•
Nozzle Shutter	•
Self-Cleaning Nozzle	•
Comfort	
Deodorizer	•
Heated Seat (Adjustable Temperature)	4 Levels
Dryer (Adjustable Temperature)	4 Levels
Convenience	
Night Light	•
Emergency Flush	•
Auto Seat & Cover	•
Remote Control	•



Anti-bacterial protection is certified to SIAA ISO 22196 standard.







Key features and technologies: Electronic Bidet Seats (E-bidets)

Hygiene



DUAL NOZZLES

Equipped with dedicated front and rear cleansing nozzles.



POSTERIOR CLEANSING

Offers a strong, direct spray for a thorough cleanse.



FEMINE AIR BUBBLE SOFT CLEANSING

A gentle flow of warm aerated water provides a soothing shower that is gentle enough for a woman's delicate areas.



ANTI-BACTERIAL PROTECTION

Uses anti-bacterial resin on seat, cover, nozzle and remote control. Certified to SIAA ISO 22196 standard for anti-bacterial efficacy (seat only).



ONE-TOUCH CLEANSING

Suitable for both elderly and children, one-touch cleansing activates the posterior/ feminine cleansing & dryer functions consecutively at a touch of a button.



SELF-CLEANING NOZZLES

Nozzle tips are rinsed with water before and after every use.



NOZZLE SHUTTER

A nozzle shutter prevents waste materials from getting to the nozzle tips, thus ensuring better hygiene.



DEODORIZER

The deodorizer is activated as soon as the user is seated.

Comfort



HEATED SEAT

Temperature can be easily adjusted for comfort.



MASSAGE

The spray alternates between strong and mild sprays, creating a massaging effect that indulges the user.



DRYER

Temperature can be easily adjusted for comfort. Computer-memorized settings allow one to keep the same settings as the previous user's.



LED NIGHT LIGHT

A sensor illuminates the area both inside the bowl and at the user's feet.

Convenience



QUICK-DETACH SEAT COVER

The design of the seat cover allows it to be easily detached for convenient cleaning of hard-to-reach areas.



REMOTE CONTROL

All bidet functions can be easily operated via a handy remote control.



SLOW-CLOSING SEAT & COVER

Gentle and quiet closing action.

Energy & Water Saving



ONE-TOUCH POWER SAVER

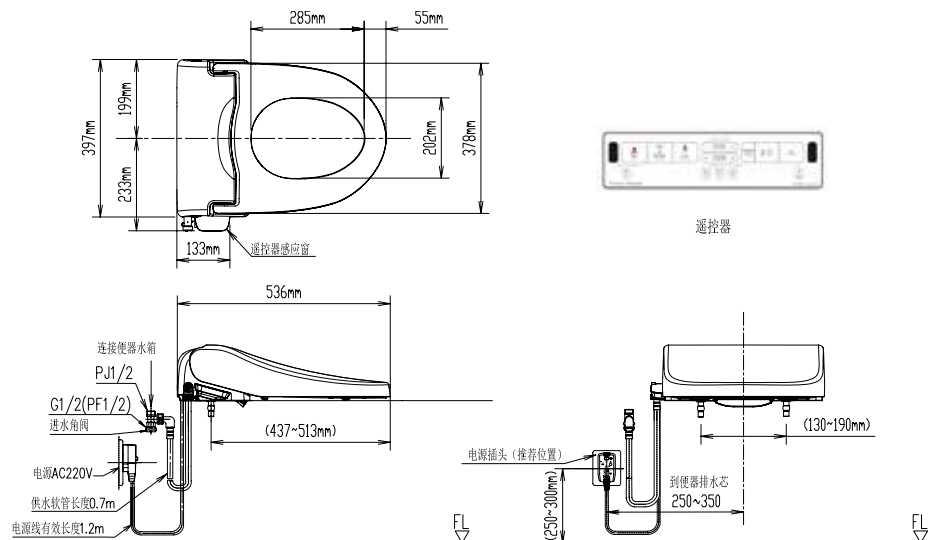
Under the power saving mode, water heating and seat heating functions will stop, while cleansing and flushing will still operate. Machine will resume to original settings after 8 hours.

SHIZEN E-bidet



SHIZEN Instant Heating E-bidet

Product Code	CEAS7ALN-1100910CO	
Warm Water Supply System	Instant Heating	
Dimensions (L x W x H)	436 x 536 x 140mm	
Control	Remote Control	
Hygiene		
Anti-Bacterial Protection	Seat (SIAA Standard)	•
	Nozzle	•
	Cover	•
Auto Deodorizer		•
Nozzle	Dual Nozzles,	
Posterior Cleansing		•
Feminine Air Bubble Soft Cleansing		•
Nozzle Position Adjustment	5 Levels	
Nozzle Shutter		•
Self-Cleaning Nozzle		•
Comfort		
Heated Seat (Adjustable Temperature)	6 Levels	
Soft-Closing Seat & Cover		•
Dryer (Adjustable Temperature)	3 Levels	
Massage		•
Convenience		
Remote Control		•
Quick-Detach Seat Cover		•
Seat Sensor		•
Night Light		•
Energy Saving		
Power Saving		•
One-Touch Power Saver (8 Hours)		•



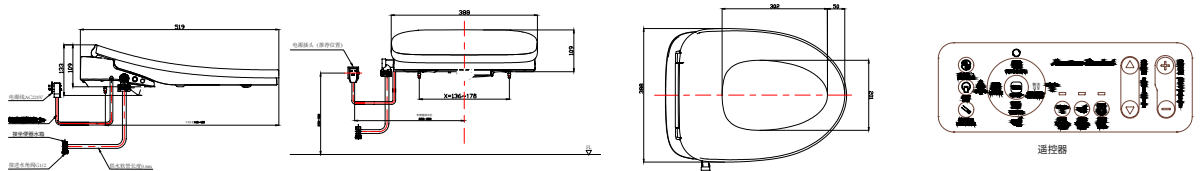
Anti-bacterial protection is certified to SIAA ISO 22196 standard.

Slim Smart Washer E-bidet

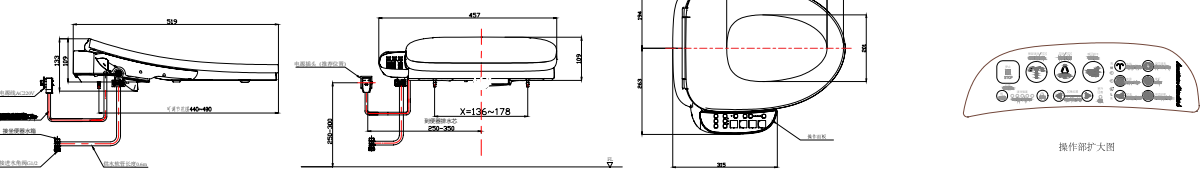


Slim Smart Washer E-bidet				
Product Code	CEAS7501-1000400C0	CEAS7601-1000400C0	CEAS7502-1000400C0	CEAS7602-1000400C0
Warm Water Supply System	Instant Heating			
Dimensions (L x W x H)	520 x 451 x 133 mm		520 x 383 x 133 mm	
Control	Side Panel		Remote Control	
Hygiene				
Anti-Bacterial Protection	Seat (SIAA Standard)		•	
	Nozzle		•	
UV Sterilization	•	-	•	-
Medicine Wash (Container)	•	-	•	-
Nozzle	Single Nozzle, Stainless Steel			
Nozzle Position Adjustment	5 Levels			
Posterior Cleansing			•	
Feminine Cleansing			•	
Self-Cleaning Nozzle			•	
Comfort				
Heated Seat (Adjustable Temperature)			4 Levels	
Dryer (Adjustable Temperature)			4 Levels	
Slow-Closing Seat & Cover			•	
Massage			•	
Convenience				
Remote Control		-		•
Quick-Detach Seat Cover			•	
Seat Sensor			•	
Night Light			•	
Energy Saving				
Power Saving (24 Hours)			•	

Slim Smart Washer E-Bidet (Side panel)



Slim Smart Washer E-Bidet (Remote Control)



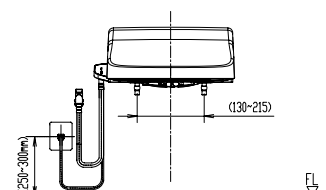
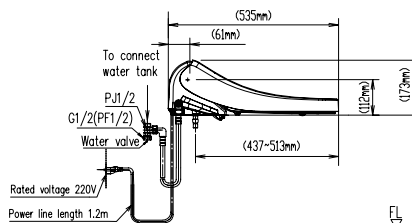
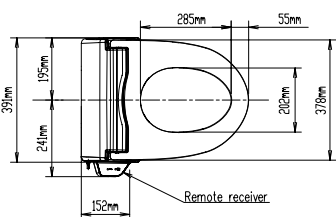
Anti-bacterial protection is certified to SIAA ISO 22196 standard.

Pristine Star E-bidet



Pristine Star E-bidet Full Function

Product Code	CEAS7SRI-0100510C0	
Dimensions (L x W x H)	535 x 436 x 173 mm (Long)	
Hygiene		
Anti-Bacterial Protection	Seat (SIAA Standard)	•
	Cover	•
	Nozzle	•
	Remote / Panel (Surface Only)	•
Auto Deodorizer		•
Nozzle		Dual Nozzles
Posterior Cleansing		•
Feminine Cleansing		•
Feminine Air Bubble Soft Cleansing		•
Nozzle Position Adjustment		5 Levels
Self-Cleaning Nozzle		•
Nozzle Shutter		•
Oscillating		•
Comfort		
Heated Seat (Adjustable Temperature)		3 Levels (with Auto-Off)
Dryer (Adjustable Temperature)		3 Levels
Water Pressure Adjustment		3 - 5 Levels
Warm Water Supply System		Hot Water Storage
Massage		•
LED Night Light		•
Convenience		
Type of Nozzle		PPE Nozzle
Quick-Detach Seat Cover		•
Seat Sensor		•
Slow-Closing Seat & Cover		•
Remote Control		•
Energy Saving		
One-Touch Power Saver (8 Hours)		•



Remote



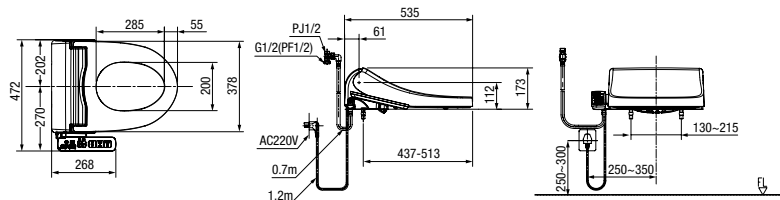
Anti-bacterial protection is certified to SIAA ISO 22196 standard.

Pristine E-bidet

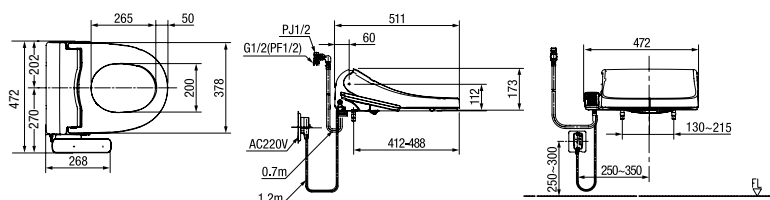


	Pristine E-bidet Full Function	Pristine E-bidet w/o Deodorizer	Pristine E-bidet w/o Deodorizer and Dryer
Product Code	CEAS7SL1-0100510CO CEAS7SS1-0100510CO	CEAS7SL2-0000510CO CEAS7SS2-0000510CO	CEAS7SL3-0000510CO CEAS7SS3-0000510CO
Dimensions (L x W x H)	535 x 472 x 173 mm (Long) 511 x 472 x 173 mm (Short)	535 x 472 x 173 mm (Long) 511 x 472 x 173 mm (Short)	535 x 472 x 173 mm (Long) 511 x 472 x 173 mm (Short)
Hygiene			
Anti-Bacterial Protection	Seat (SIAA Standard)	•	•
	Cover	•	•
	Nozzle	•	•
	Remote/ Panel (Surface Only)	•	•
Auto Deodorizer	•	-	-
Nozzle	Dual Nozzles	Dual Nozzles	Dual Nozzles
Posterior Cleansing	•	•	•
Feminine Cleansing	•	•	•
Feminine Air Bubble Soft Cleansing	•	•	•
One-Touch Cleansing	•	•	•
Nozzle Position Adjustment	5 Levels	5 Levels	5 Levels
Self-Cleaning Nozzle	•	•	•
Nozzle Shutter	•	•	•
Oscillating	•	•	•
Comfort			
Dryer (Adjustable Temperature)	3 Levels	3 Levels	-
Heated Seat (Adjustable Temperature)	3 Levels (with Auto-Off)	3 Levels (with Auto-Off)	3 Levels (with Auto-Off)
Warm Water Supply System	Hot Water Storage	Hot Water Storage	Hot Water Storage
Massage	•	•	•
Water Pressure Adjustment	3 - 5 Levels	3 - 5 Levels	3 - 5 Levels
Convenience			
Type of Nozzle	PPE Nozzle	PPE Nozzle	PPE Nozzle
Quick-Detach Seat Cover	•	•	•
Seat Sensor	•	•	•
Slow-Closing Seat & Cover	•	•	•
Energy Saving			
One-Touch Power Saver (8 Hours)	•	•	•

Pristine E-bidet (Long)



Pristine E-bidet (Short)

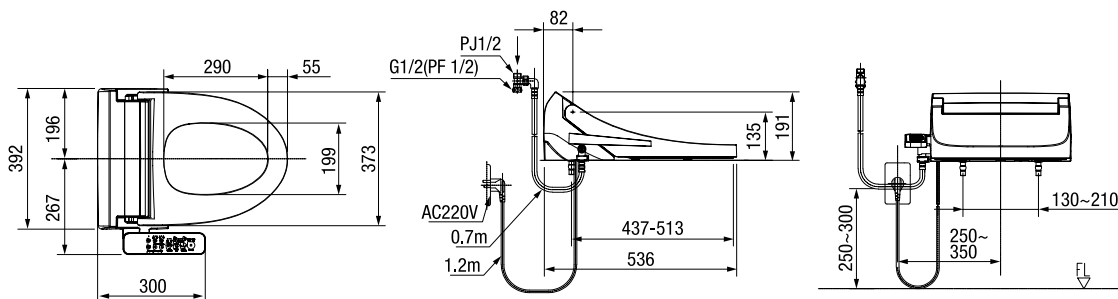


Anti-bacterial protection is certified to SIAA ISO 22196 standard.

Glamour E-bidet



	Glamour E-bidet w / Deodorizer	Glamour E-bidet w/o Deodorizer	Glamour E-bidet w/o Deodorizer and Dryer
Product Code	CEAS7A15-0100410CO	CEAS7A25-0000410CO	CEAS7A35-0000410CO
Dimensions (L x W x H)	536 x 463 x 191 mm	536 x 463 x 191 mm	536 x 463 x 191 mm
Hygiene			
Anti-Bacterial Protection	•	•	•
Seat (SIAAStandard)	•	•	•
Remote/ Panel (Surface Only)	•	•	•
Auto Deodorizer	•	-	-
Nozzle	Single Nozzle	Single Nozzle	Single Nozzle
Posterior Cleansing	•	•	•
Feminine Cleansing	•	•	•
Feminine Air Bubble Soft Cleansing	•	•	-
One-Touch Cleansing	•	•	•
Nozzle Position Adjustment	5 Levels	5 Levels	5 Levels
Self-Cleaning Nozzle	•	•	•
Oscillating	•	•	-
Comfort			
Dryer (Adjustable Temperature)	3 Levels	3 Levels	-
Heated Seat (Adjustable Temperature)	3 Levels	3 Levels	3 Levels
Warm Water Supply System	Hot Water Storage	Hot Water Storage	Hot Water Storage
Massage	•	•	-
Water Pressure Adjustment	3 - 5 Levels	3 - 5 Levels	3 - 5 Levels
Convenience			
Type of Nozzle	Stainless Nozzle	Stainless Nozzle	Stainless Nozzle
Quick-Detach Seat Cover	•	•	•
Seat Sensor	•	•	•
Slow-Closing Seat & Cover	•	•	•
Energy Saving			
One-Touch Power Saver (8 Hours)	•	•	-

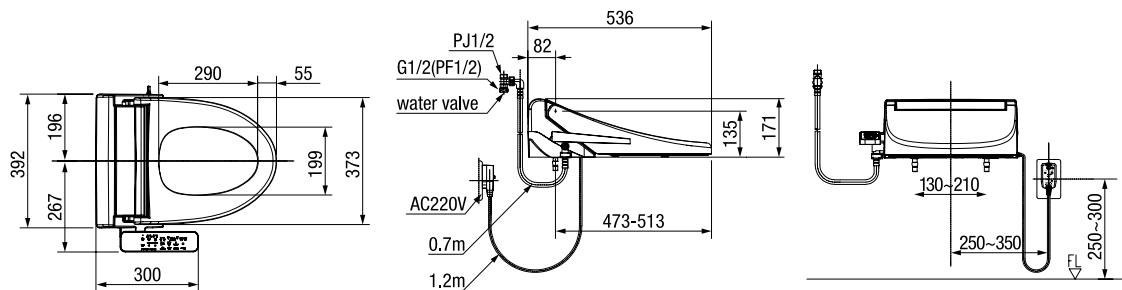


Anti-bacterial protection is certified to SIAA ISO 22196 standard.

Pure E-bidet



	Pure E-bidet w / Deodorizer	Pure E-bidet w/o Deodorizer	Pure E-bidet w/o Deodorizer and Dryer
Product Code	CEAS7B15-0100410C0	CEAS7B25-0000410C0	CEAS7B35-0000410C0
Dimensions (L x W x H)	536 x 463 x 171 mm	536 x 463 x 171 mm	536 x 463 x 171 mm
Hygiene			
Anti-Bacterial Protection	•	•	•
Seat (SIAA Standard)	•	•	•
Remote/ Panel (Surface Only)	•	•	•
Auto Deodorizer	•	-	-
Nozzle	Single Nozzle	Single Nozzle	Single Nozzle
Posterior Cleansing	•	•	•
Feminine Cleansing	•	•	•
Feminine Air Bubble Soft Cleansing	•	•	-
One-Touch Cleansing	•	•	•
Nozzle Position Adjustment	5 Levels	5 Levels	5 Levels
Self-Cleaning Nozzle	•	•	•
Oscillating	•	•	-
Comfort			
Dryer (Adjustable Temperature)	3 Levels	3 Levels	-
Heated Seat (Adjustable Temperature)	3 Levels	3 Levels	3 Levels
Warm Water Supply System	Hot Water Storage	Hot Water Storage	Hot Water Storage
Massage	•	•	-
Water Pressure Adjustment	3 - 5 Levels	3 - 5 Levels	3 - 5 Levels
Convenience			
Type Of Nozzle	Stainless Nozzle	Stainless Nozzle	Stainless Nozzle
Quick-Detach Seat Cover	•	•	•
Seat Sensor	•	•	•
Slow-Closing Seat & Cover	•	•	•
Energy Saving			
One-Touch Power Saver (8 Hours)	•	•	-



Anti-bacterial protection is certified to SIAA ISO 22196 standard.



Key features and technologies: Manual Bidet Seats

Hygiene



DUAL NOZZLES

Equipped with dedicated front and rear cleansing nozzles.



POSTERIOR CLEANSING

Offers a strong, direct spray for a thorough cleanse.



FEMININE AIR BUBBLE SOFT CLEANSING

A gentle flow of warm aerated water provides a soothing shower that is gentle enough for a woman's delicate areas.



ANTI-BACTERIAL PROTECTION

Uses anti-bacterial resin on seat, cover, nozzle and remote control. Certified to SIAA ISO 22196 standard for anti-bacterial efficacy (seat only).



NOZZLE SHUTTER

A nozzle shutter prevents waste materials from getting to the nozzle tips, thus ensuring better hygiene.



SELF-CLEANING NOZZLES

Nozzle tips are rinsed with water before and after every use.

Convenience



QUICK-DETACH SEAT COVER

The design of the seat cover allows it to be easily detached for convenient cleaning of hard-to-reach areas.



EASY RELEASE

Easy removal for thorough clean.



QUICK DETACH/CONNECT HOSE

Leak-proof water hose can be easily detached for easy cleaning.



SLOW-CLOSING SEAT & COVER

Gentle and quiet closing action.



ROTATING ELBOW

Easily convertible to back or bottom inlet for optimal hose management.

Comfort



COMFORT CURVE SEAT

An ergonomic fit that comfortably contours to the body.



ERGONOMIC HANDLE

Allows easy control with just a simple adjustment of the lever.

Manual Bidet Seats



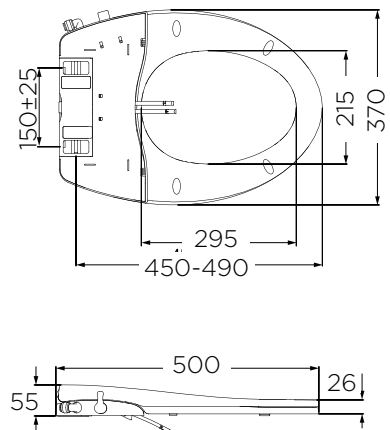
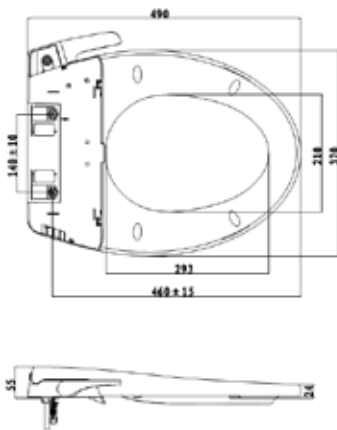
**Slim Smart Washer 3
Manual Bidet**

Product Code	CA650
Dimensions (L x W x H)	490 x 370 x 55 mm
Hygiene	
Nozzle	Dual Nozzles
Posterior Cleansing	•
Feminine Cleansing	•
Anti-Bacterial Protection	•
Nozzle Shutter	•
Self-Cleaning Nozzle	•
Comfort	
Ergonomic Handle	•
Comfort Curve Seat	•
Water Pressure Adjustment	•
Convenience	
Type Of Nozzle	PP Nozzle
Quick Detach / Connect Hose	•
Slow-Closing Seat & Cover	•
Rotating Elbow	•
Quick Detach Seat Cover	•
Easy Release	•



**Slim Smart Washer II
Manual Bidet**

Product Code	CA625SWH-A156A
Dimensions (L x W x H)	500 x 370 x 55 mm
Hygiene	
Nozzle	Dual Nozzles
Posterior Cleansing	•
Feminine Cleansing	•
Nozzle Shutter	•
Self-Cleaning Nozzle	•
Comfort	
Water Pressure Adjustment	•
Convenience	
Type Of Nozzle	PP Nozzle
Slow-Closing Seat & Cover	•
Quick Detach Seat Cover	•
Easy Release	•



Best match chart (E-bidet)

Pre-selected American Standard toilets for a 100% fit and compatibility



Collection	SKU	Type	Pristine Star / Pristine E-bidet (Long)	Pristine E-bidet (Short)	Glamour E-bidet	Pure E-bidet
Kastello	CCAS2025/2026	One-Piece	✓✓✓	✓✓✓	✓	✓
Signature	CCAS1880/1881	One-Piece	✓✓✓	✓✓✓	✓	✓
Acacia Evolution	CCAS1808 CL2007	One-Piece	✓✓✓	✓	✓✓✓	✓✓✓
Milano	CCAS1830/1831	One-Piece	✓✓✓	✓✓✓	✓	✓
Neo Modern	CCAS2073/2074 CL2630	One-Piece	✓✓✓	✓✓✓	✓	✓
Flexio	CL2530	One-Piece	Unmatchable	Unmatchable	✓✓✓	✓✓✓
Cadet	CCAS1818/1819	One-Piece	✓	✓✓✓	X	X
New Codie II	CCAS2033/2034 CL2024	One-Piece	✓✓✓	✓	✓✓✓	✓✓✓
Activa	CCAS2048	One-Piece	✓✓✓	✓✓✓	✓	✓
Active	CCAS2046	One-Piece	✓✓✓	✓✓✓	✓	✓
IDS Natural	CCAS2050 CL2050	One-Piece	✓✓✓	✓	✓✓✓	✓✓✓
La Moda	CCAS2009	One-Piece	✓✓✓	✓✓✓	✓✓✓	✓✓✓
Yoka	CCAS2090	One-Piece	✓	X	✓✓✓	✓✓✓
Kastello	C2781001	Close-Coupled	✓	✓	✓	✓
Signature	CL26225	Close-Coupled Back-to-Wall	✓✓✓	✓✓✓	✓	✓
Halo	CCAS2765/2766	Close-Coupled	✓✓✓	✓	✓✓✓	✓✓✓
Activa II	CCAS2424/2425	Close-Coupled	✓✓✓	✓✓✓	✓✓✓	✓✓✓
Active	CCAS2326	Close-Coupled	X	✓	X	X
Neo Modern	CCAS2630 CL2630	Close-Coupled	✓✓✓	✓	✓✓✓	✓✓✓
Cadet III	CCAS2515/2516	Close-Coupled	X	X	✓✓✓	✓✓✓
Winston	CCAS2395 CL2396 CL3394	Close-Coupled	✓	X	X	X
Signature	CL3119	Wall Hung	✓✓✓	✓✓✓	✓	✓
Acacia Evolution	CL3119	Wall Hung	X	✓	✓✓✓	✓✓✓
Active	CCAS2266	Wall Hung	X	✓	X	X
Signature	CCAS2141	Back-to-Wall	✓✓✓	✓✓✓	✓	✓

Chart Legend: ✓✓✓ Best Match | ✓ Basic Match | X Poor Match

Best match chart (E-bidet)

Pre-selected American Standard toilets for a 100% fit and compatibility



Collection	SKU	Type	Griffin	SHIZEN	Slim Smart Washer E
Kastello	CCAS2025/2026	One-Piece	✓	✓	✓
Signature	CCAS1880/1881	One-Piece	✓✓✓	✓✓✓	✓
Acacia Evolution	CCAS1808 CL2007	One-Piece	✓✓✓	✓✓✓	✓✓✓
Milano	CCAS1830/1831	One-Piece	✓	✓✓✓	✓✓✓
Neo Modern	CCAS2073/2074 CL2630	One-Piece	✓✓✓	✓✓✓	✓✓✓
Flexio	CL2530	One-Piece	✓	Unmatchable	X
Cadet	CCAS1818/1819	One-Piece	X	✓	✓✓✓
New Codie II	CCAS2033/2034 CL2024	One-Piece	✓✓✓	✓✓✓	✓✓✓
Activa	CCAS2048	One-Piece	✓	✓✓✓	✓
Active	CCAS2046	One-Piece	✓	✓✓✓	✓✓✓
IDS Natural	CCAS2050 CL2050	One-Piece	✓	✓✓✓	✓✓✓
La Moda	CCAS2009	One-Piece	✓✓✓	✓✓✓	✓✓✓
Yoka	CCAS2090	One-Piece	✓	✓✓✓	✓✓✓
Kastello	C2781001	Close-Coupled	✓✓✓	✓	✓
Signature	CL26225	Close-Coupled Back-to-Wall	✓	✓✓✓	✓
Halo	CCAS2765/2766	Close-Coupled	✓✓✓	✓✓✓	✓✓✓
Activa II	CCAS2424/2425	Close-Coupled	✓	✓✓✓	✓
Active	CCAS2326	Close-Coupled	X	X	X
Neo Modern	CCAS2073/2074 CL2630	Close-Coupled	✓✓✓	✓✓✓	✓
Cadet III	CCAS2515/2516	Close-Coupled	✓	X	✓✓✓
Winston	CCAS2395 CL2396 CL3394	Close-Coupled	X	X	X
Signature	CL3119	Wall Hung	✓	✓✓✓	✓
Acacia Evolution	CL3119	Wall Hung	X	X	✓
Active	CCAS2266	Wall Hung	X	X	X
Signature	CCAS2141	Back-to-Wall	✓	✓✓✓	✓

Best match chart (E-bidet)

Pre-selected American Standard toilets for a 100% fit and compatibility

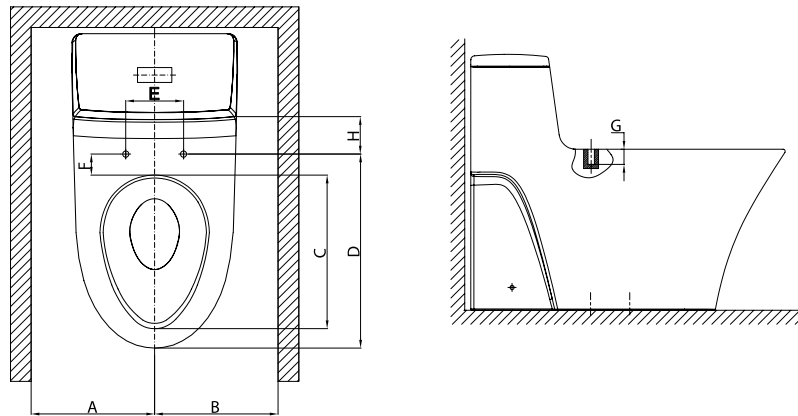


Collection	SKU LISA	Type	Slim Smart Washer 3	Slim Smart Washer II
Acacia Evolution	CCAS1808 CL2007	One-Piece	X	✓
Codie Plus	TF-2022	One-Piece	✓	✓
Flexio	TF-2530	One-Piece	X	✓
New Codie II	TF-2024	One-Piece	✓	✓
Yoka	CP2090/2091	One-Piece	✓	✓
Acacia Evolution	CL3307	Close-Coupled	X	✓
Halo	TF-2893	Close-Coupled	X	✓
Neo Modern	TF-2630	Close-Coupled	X	✓
Winplus II	CCAS2395 CL2396 CL3394	Close-Coupled	✓	X
Winston	CCAS2397 CL2398 CL2399	Close-Coupled	✓	X
New Winston	TF-3396	Close-Coupled	✓	✓

Chart Legend: ✓✓✓ Best Match | ✓ Basic Match | X Poor Match

Right fit chart

Guide to finding the right E-Bidet to fit your American Standard (or other branded) toilet



	Pristine Star / Pristine E-bidet (Long)	Pristine E-bidet (Short)	Glamour E-bidet	Pure E-bidet
Between mounting holes and front of bowl (D)	$437 \text{ mm} \leq D \leq 500 \text{ mm}$	$412 \text{ mm} \leq D \leq 475 \text{ mm}$	$437 \text{ mm} \leq D \leq 503 \text{ mm}$	$437 \text{ mm} \leq D \leq 503 \text{ mm}$
Between mounting holes (E)	$130 \text{ mm} \leq E \leq 215 \text{ mm}$	$130 \text{ mm} \leq E \leq 215 \text{ mm}$	$130 \text{ mm} \leq E \leq 210 \text{ mm}$	$130 \text{ mm} \leq E \leq 210 \text{ mm}$
Between tank and mounting holes (H)	$H \geq 25 \text{ mm}$	$H \geq 25 \text{ mm}$	$H \geq 30 \text{ mm}$	$H \geq 30 \text{ mm}$
Between centre of rim and outside of bowl (A & B)	$A \geq 270 \text{ mm}$ $B \geq 195 \text{ mm}$	$A \geq 270 \text{ mm}$ $B \geq 195 \text{ mm}$	$A \geq 300 \text{ mm}$ $B \geq 250 \text{ mm}$	$A \geq 300 \text{ mm}$ $B \geq 250 \text{ mm}$
Between front and back of rim (C)	$334 \text{ mm} \leq C \leq 396 \text{ mm}$	$314 \text{ mm} \leq C \leq 377 \text{ mm}$	$323 \text{ mm} \leq C \leq 400 \text{ mm}$	$323 \text{ mm} \leq C \leq 400 \text{ mm}$
Between mounting holes and back rim (F)	$F < 110 \text{ mm}$	$F < 110 \text{ mm}$	$F < 120 \text{ mm}$	$F < 120 \text{ mm}$
Depth of mounting holes (G)	$G \geq 50 \text{ mm}$ (blind hole)	$G \geq 50 \text{ mm}$ (blind hole)	$G \geq 50 \text{ mm}$ (blind hole)	$G \geq 50 \text{ mm}$ (blind hole)

Note: E-bidet and toilet will achieve 80% fit rate when D, E and H conditions are met.

Wash basins



Glam up your bathroom aesthetics with a thin-edge vessel basin or opt for a space-saving corner wall hung wash basin for an intimate size bathroom. Crafted with perfect silhouette and manufactured for durability, take your pick from a comprehensive range of wash basins that will suit every individual style and budget.

Key features and technologies

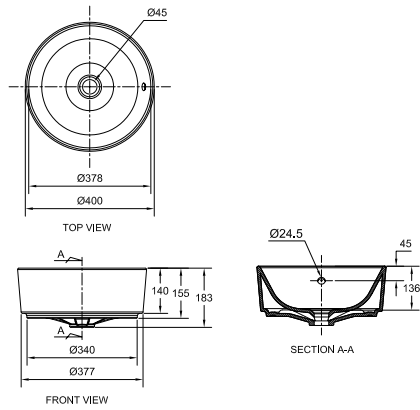
Technology



THINEDGE TECHNOLOGY

Made with our latest technology for a sleek silhouette.

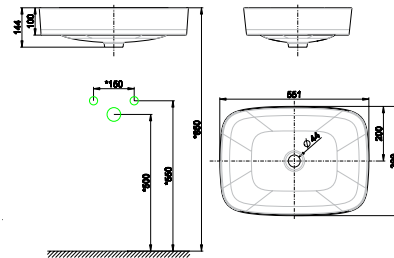
Vessel Wash Basins



Acacia Evolution Round Vessel Wash Basin
CL0509I-6DACTLA

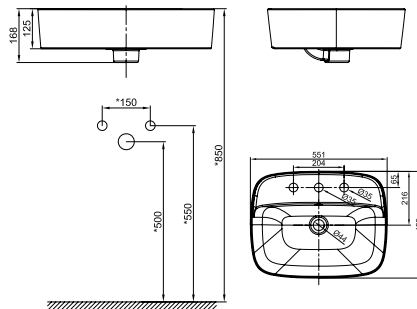
L400 x W400 x H181 mm

Countertop Wash Basins



Signature 550mm Vessel
CCAS0628-0000410P0

L551 x W399 x H100 mm

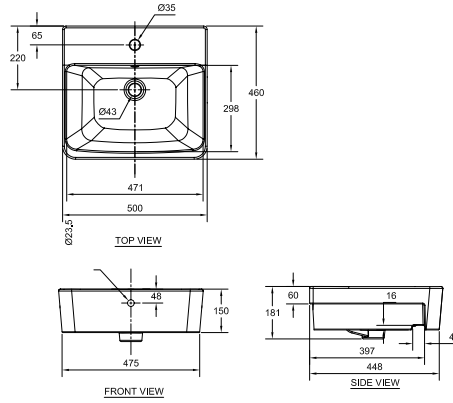


Signature 550 mm Vessel With Deck (3-Hole)
CCAS0618-1010410P0

L551 x W429 x H125 mm

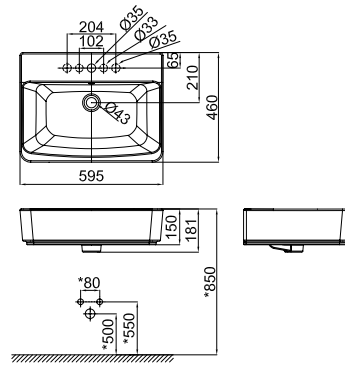


Semi-Counter Wash Basins



Acacia Evolution Semi Counter Wash Basin
CL0519I-6DACTLS

L500 x W460 x H180 mm

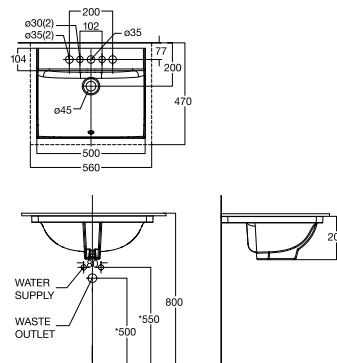


Acacia Evolution Semi Counter Wash Basin
CCASF519-1010411F0

L500 x W460 x H181 mm

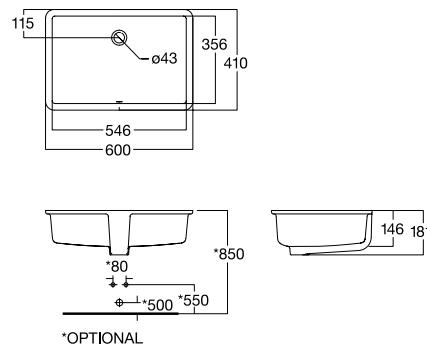
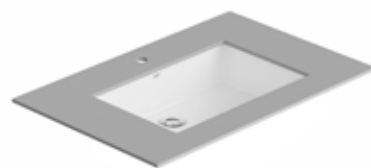
3-Hole, 4"

Under Counter Wash Basins



Concept Square 560mm Under Counter Wash Basin
CLO451I-6DAWDLU

L560 x W470 x H200 mm

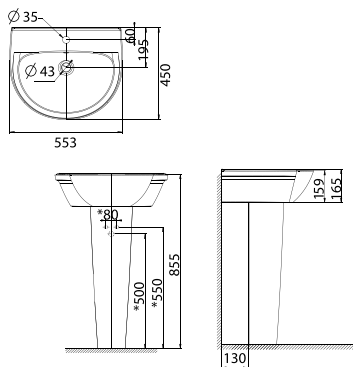


Square Thin 600mm Under Counter Wash Basin
CCASF513-1000410F0

L600 x W410 x H181 mm

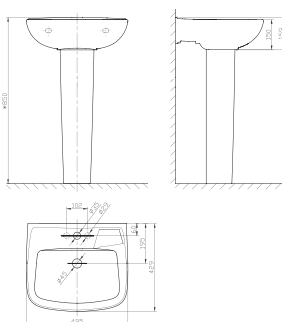
*OPTIONAL

Full Pedestal Wash Basins



Neo Modern 550mm Full Pedestal Wash Basin
CL0953I-6DACTLW/
CCASF711-0000410FO

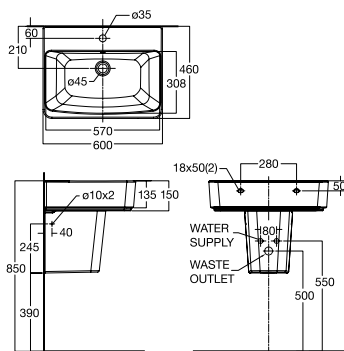
L553 x W450 x H860 mm



New Codie Full Pedestal 430mm Square Wash Basin
C09480B/CL0742F-6DAPH

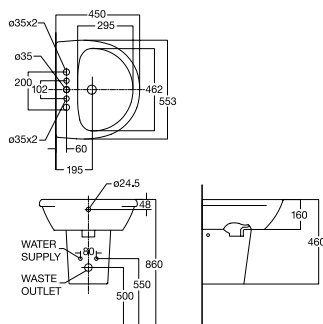
L495 x W430 x H850 mm

Semi Pedestal Wash Basins



Acacia Evolution Semi Pedestal Wash Basin
CL0507I-6DACTLWW/
CL0707S-6DACT

L600 x W460 x H460 mm



Neo Modern 550mm Semi Pedestal Wash Basin
CL0953I-6DACTLW/
CCASF712-1000410FO

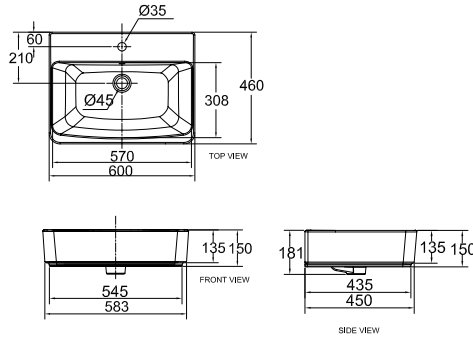
L553 x W450 x H460 mm

Wall-Hung Wash Basins

Acacia Evolution Wall-Hung Wash Basin

CLO5071-6DACTLWW

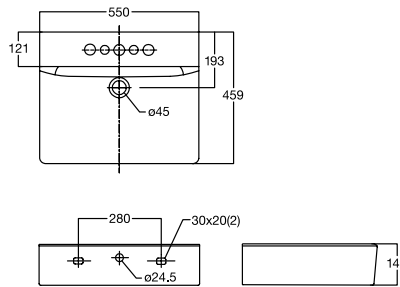
L600 x W460 x H181 mm



Concept Square 550mm Wall-Hung Wash Basin

CLO550I-6DACTLW

L549 x W459 x H140 mm




Basin faucets




Experience the comfort of using our range of basin faucets while doing your bit for the environment, thanks to the ceramic disc valve and water saving technologies we have embedded in our products. The German-designed cartridge features patented advanced ceramic alloy discs with a polished mirror-like surface that glides over one another with utmost precision. These discs are coated with a special Teflon® lubricant for a friction-free performance, ensuring years of effortless handling, water control and maintenance-free operation.

Key features and technologies


Convenience



EASYCLEAN
Silicone aerator allows easy removal of limescale or dirt.




EASYFIX
Hassle-free installation provides time and cost savings.




PUSH & TURN
Dial adjusts water volume easily and offers daily convenience at the push of a button.



SWIVEL 360°
360° spout provides space flexibility and ease of use.



RETRACTSPOUT
Pull-out spout for multifunctional usage.



FLEXIMATCH
Multiple colors and finishes to match any style.



EASYPUSH
Easy to operate, even with wet or soapy hands.


Comfort



COMFORTMOVE
Smooth handle performance for optimal precision and comfort.




COMFORT ANGLE
Adjustable water flow angle for a comfortable, perfect splash-proof experience.




COMFORT SPACE
Ample space between spout and handle for ease of use.


Sustainability



ECOSTART
Provides up to 30% energy savings.




CLICKMOVE
Provides 40% water savings with ease of control.




WATER-SAVING
Water-saving for ecological and economical sense.

Safety




ZERO LEAD
Total protection for well-being with zero lead contact in waterway.



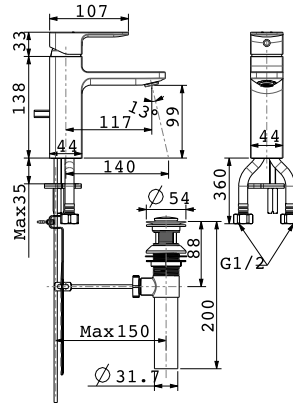
LOW LEAD
Minimal lead content provides better health protection compared to standard brass.

Durability



DURASHINE
Shiny chrome finishing gives an enduring brilliance.

Basin Mixers



Acacia Evolution Basin Mixer With Pop-Up Drain
FFAS1301-101500BFO




Bath & showers



Rejuvenate and invigorate with our showers of happiness. Here at American Standard, we are not only looking at perfecting your cleansing ritual. Combining smart designs, thoughtful innovations and environmentally-friendly technologies, we are here to inject a dose of pure adulterated happiness to your shower experience.

Key features and technologies

Convenience

 <p>EASYCLICK An instinctive button for switching between spray modes.</p>	 <p>eTOUCH Easy-access, waterproof remote switch that is mountable anywhere in the shower allows user to change shower function with a simple click.</p>	 <p>SPACECREATE Creates extra usable space in the bathroom.</p>
 <p>EASYFIX Hassle-free installation provides time and cost savings.</p>	 <p>AQUATOGGLE Smartly positioned lever allows users to easily switch between preferred functions while operating the spray head with a single hand.</p>	 <p>SWIVEL 360° 360° spout provides space flexibility and ease of use.</p>
 <p>PUSH & TURN Dial adjusts water volume easily and offers daily convenience at the push of a button.</p>	 <p>DIVERTPADDLE Easy-to-reach position of diverter makes switching between hand shower and showerhead easier and more accessible.</p>	 <p>PRESET Starts shower at the push of a button which is preset to your previous shower settings.</p>
 <p>TWISTFREE Prevents shower hose from entangling.</p>	 <p>EASYCLEAN Allows easy removal of limescale, mold or dirt.</p>	 <p>DOCK-TITE Dock-Tite's magnetic docking system secures the spray head and provides easy operation of spray head.</p>
 <p>TOUCH Effortlessly change the spray function with an easy touch of the showerhead's outer ring.</p>	 <p>EASYPUSH Easy to operate, even with wet or soapy hands.</p>	 <p>EASYGLIDE Hand shower holder that allows you to easily adjust its height, single-handedly.</p>
 <p>FLEXIMATCH Multiple colors and finishes to match any style.</p>		



Comfort

 <p>THERMOCOMFORT Provides a constant and comfortable temperature.</p>	 <p>JET RAIN Targeted jet spray that kneads tired muscles.</p>	 <p>WATERFALL A natural, cascading water flow.</p>
 <p>TRANQUIL RAIN Soft, drizzling shower that is perfect for rinsing shampoo out.</p>	 <p>THERAPY RAIN Soothing vortex spray that gently relaxes the body.</p>	 <p>PETAL PRESSURE Robust shower pressure yet gentle on your skin.</p>


Safety

 <p>SAFETY LOCK Keeps water at a safe temperature.</p>
 <p>THERMOSAFE Safety temperature control up to 49°C, with an auto shut-off function when cold water supply fails.</p>
 <p>COOLSHIELD Body of faucet stays cool and prevents scalding shocks.</p>

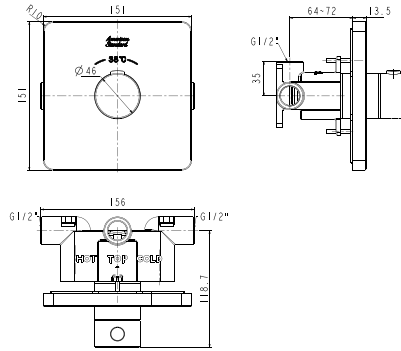
Sustainability

 <p>WATER-SAVING Water-saving for ecological and economical sense.</p>
 <p>AIRNERGIZE Air-infused water provides a luxurious shower experience while using lesser water.</p>

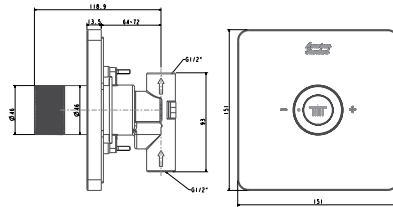
Durability

 <p>DURASHINE Shiny chrome finishing gives an enduring brilliance.</p>
--

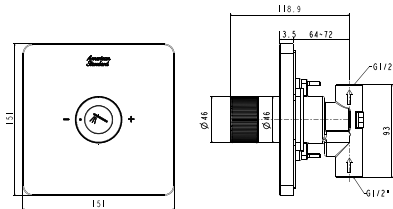
Auto Temperature Mixers



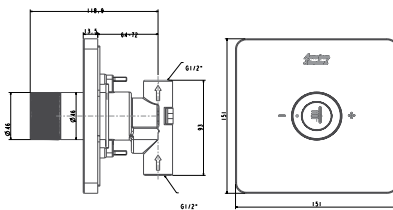
EasySET Concealed Thermostatic Mixer with Trim
FFAS0930-000500BC0



EasySET for Head Shower
FFAS0926-709500BC0



EasySET for Hand Shower
FFAS0925-709500BC0

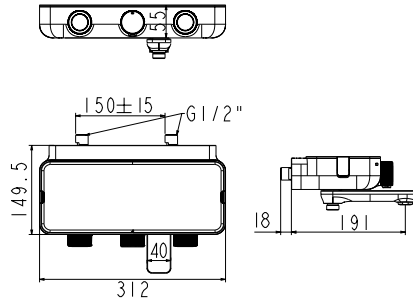


EasySET for Body Shower
FFAS0927-709500BC0

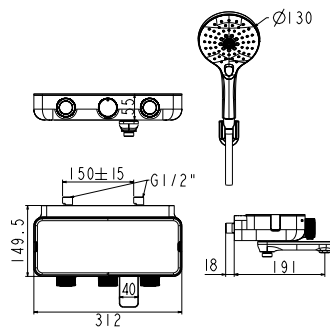


Auto Temperature Mixers

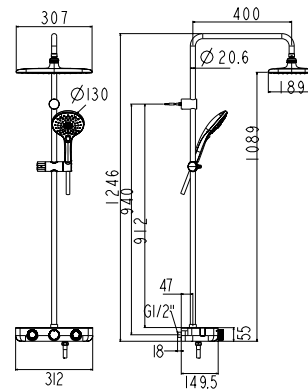
EasySET Exposed Bath & Shower Mixer
FFAS4954-609500BCO



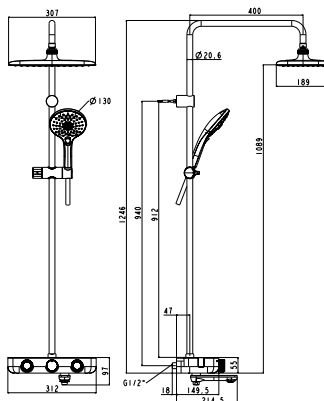
EasySET Exposed Bath & Shower Mixer with Shower Kit
FFAS4954-601500BCO



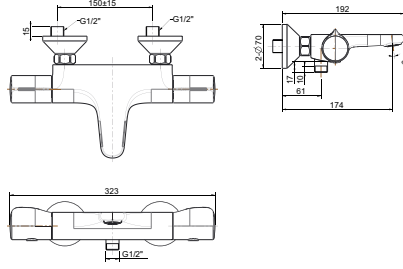
EasySET Exposed Rainshower System
FFAS4955-701500BCO



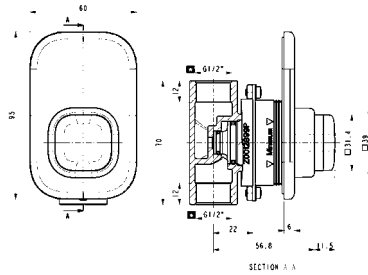
EasySET Exposed Auto Temperature Shower System (3-Way)
FFAS4956-601500BCO



Auto Temperature Mixers



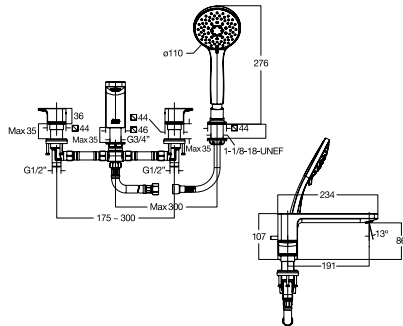
Temptacion Exposed Auto Temperature Bath & Shower Mixer
FFAS4949-609500BC0



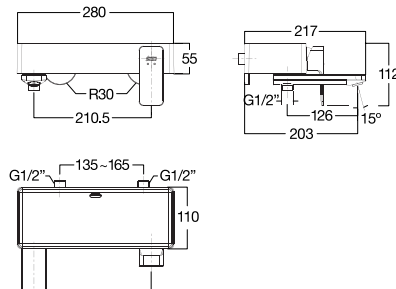
EasyFLO Concealed Shower Mono
FFAST826-709500BPO (Chrome)



Bath & Shower Mixers



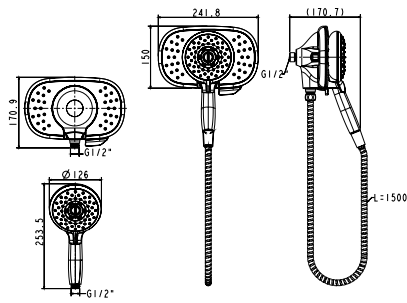
Acacia Evolution Deck Mount Bath & Shower Mixer with Shower Kit
FFAS1300-601500BC0



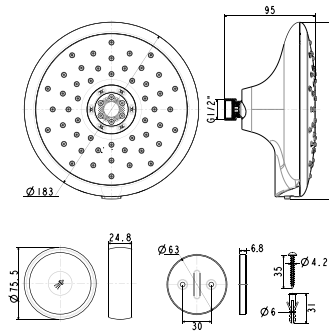
Acacia Evolution Exposed Bath & Shower Mixer
FFAS1311-601500BFO



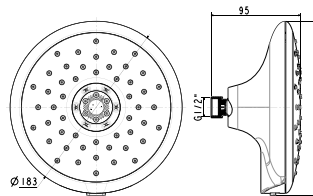
Shower Heads



Spectra Duo 2-in-1 Shower
FFASS055-000500BC0



Spectra eTouch Shower Head
FFASS057-000500BC0



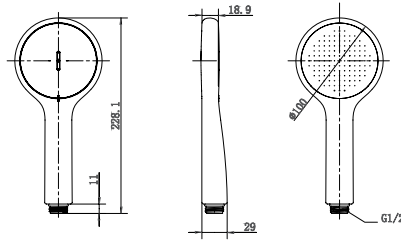
Spectra Touch Shower Head
FFASS056-000500BC0



Hand Shower

GENIE Hand Shower

FFAS505-000600BFO (Aquamarine)
 FFAS505-000560BFO (Petal Pink)
 FFAS505-000440BFO (Steel Grey)



DuoSTiX Hand Shower

FFASS507-000090BPO (Chrome/
 Glossy White)
 FFASS507-000440BPO (Chrome/
 Matte Black)
 FFASS508-000090BPO (Chrome/
 Glossy White with hose and holder)
 FFASS508-000440BPO (Chrome/
 Matte Black with hose and holder)



Hygiene Spray

DuoSTiX Hygiene Spray

FFASTS28-000090BF0 (Chrome/
 Glossy White)
 FFASTS28-000440BF0 (Chrome/
 Matte Black)
 FFASTS28-000091BF0 (Full Glossy
 White)



*HYGIENEPLUS available in Full
 Glossy White only



Bathtubs



Thoughtfully designed for ultimate comfort and manufactured for durability, whether it is an exquisitely (seamlessly) designed wellness tub for a luxurious pampering or an intimate bathtub for a comforting wind-me-down, we are sure you will find your favorite American Standard tub here.

Ultimate comfort with the wellness series

TWIN PLUS SYSTEM

Both whirlpool jets and blowers work together to pump air simultaneously from the bottom and sides of the bathtub, providing the full benefits of a hydro massage.

DRY JET MASSAGE SYSTEM

The system gently kneads the user's back and neck area to soothe aching and tired muscles.

WHIRLPOOL SYSTEM

Air compression system creates a whirlpool effect throughout the tub, stimulating the body's own nervous and circulatory systems to improve nerve activation and blood movement.

OZONE GENERATION

Ozone has been medically proven not only to make air cleaner but also to alleviate or suppress maladies such as infections and allergic reactions.

AIRPOOL SYSTEM

Airpool system creates a profusion of tiny air bubbles to increase oxygen content, resulting in a freshening effect that relaxes the skin and relieves stress.

HYGIENE

The wellness tub monitors the entire disinfection system to guarantee that germs do not remain after extended tub use, ensuring optimal user hygiene.

Chromatherapy

A lighting system that uses multi-coloured light wave reflections for a holistic approach to heal one's body and mind.

WHITE

Increases calmness and rejuvenates one's body and mind

RED

Excites, increases heartbeat and blood circulation. Creates new energy and strength

GREEN

Cures anxiety, headaches and insomnia

BLUE

Heightens awareness, intuition creativity and imagination

ORANGE

Stimulates digestion and soothes cramps and contractions. Induces serenity, enthusiasm and joy

YELLOW

Improves reflexes, aids digestion and reinforces nervous system. Induces a sense of well-being, extroversion and awareness

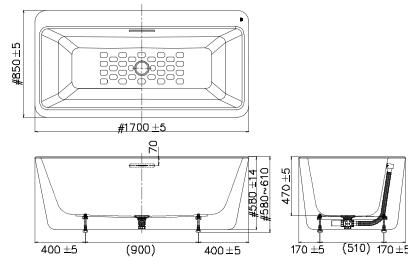
INDIGO

Decreases heartbeat and pressure

PURPLE

Stimulates white blood cell production, spleen and bone development. Encourages spirituality, inspiration and imagination

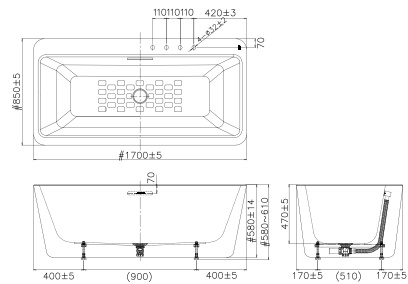
Freestanding Tubs



Acacia Evolution 1.7M Acrylic Seamless Freestanding Tub
BTAS6719-032ASXJFO

L1700 x W850 x H580 mm

Acrylic with E-Fibre Reinforcement

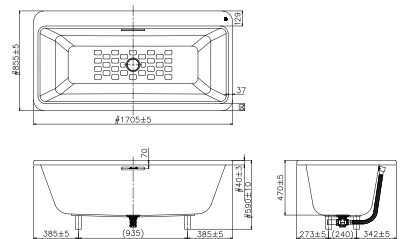


Acacia Evolution 1.7M Acrylic Seamless Freestanding Tub (with Faucet Installation Holes)
BTAS6719-602ASXJFO

L1700 x W850 x H580 mm

Acrylic with E-Fibre Reinforcement

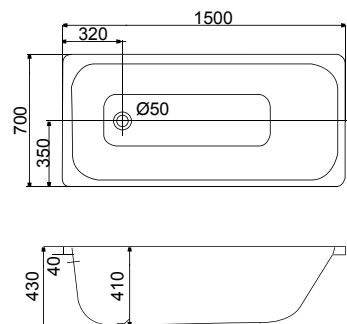
Drop-In Tubs



Acacia Evolution 1.7M Acrylic Drop-In Tub
BTAS6719-002ASXJFO

L1705 x W855 x H590 mm

Acrylic with E-Fibre Reinforcement



New Codie 1.5M Acrylic Drop-In Tub
B70280-6DACTPW

L1500 x W700 x H430 mm

Acrylic with E-Fibre Reinforcement



Commercial



Explore our line of commercial sanitary ware that is built with quality, reliability and durability to stand up to heavy use. Equally important are the designs and technologies we have embedded in our products to optimize water efficiency and ease of maintenance so as to minimize environmental impact and help you achieve greater savings.

Key features and technologies

Hygiene



SPLASH-FREE FLUSHING

Anti-splash flushing regardless of water pressure.



DIRT RESISTANT

Self-cleaning to prevent dirt from accumulating.

Convenience



EASYFIX

Hassle-free installation provides time and cost savings.

Sustainability



LINE SENSOR

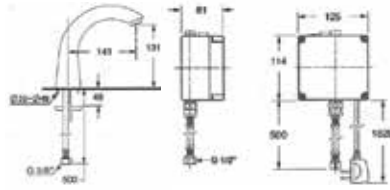
Unmatched sensor precision compared to a conventional sensor faucet.



HYDROPOWER

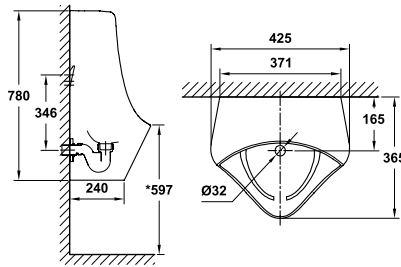
Uses water flow to power the sensor faucet.

Urinals



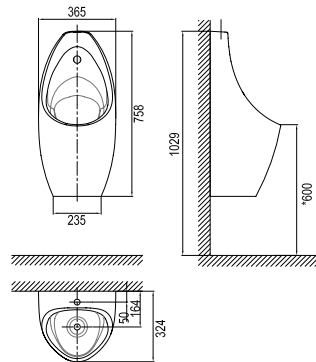
Selectronic Sensor Faucet
 FFAS8805-000500BC0 (DC)
 FFAS8815-000500BC0 (AC)

Senseflow IR technology
 Safety stop at 55 sec
 6V lithium battery



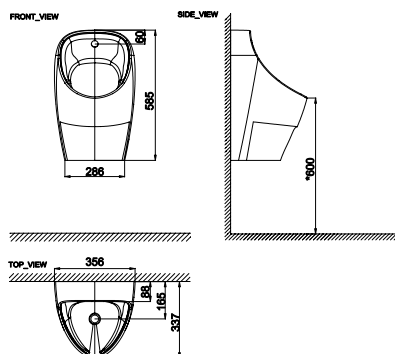
Lynbrook Int Wall-Hung Urinal
 CCAS6519-3110410CO

P365 x L425 x H780 mm



Contour Urinal
 CCAS6737-3200410FO (Top Inlet)
 CCAS6737-3100410FO (Back Inlet)

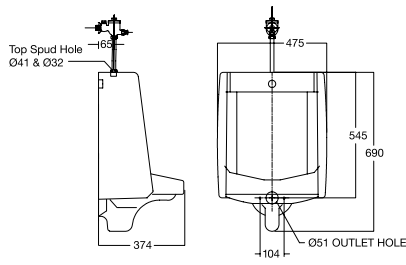
L365 x P324 x H758 mm



Neo Modern Urinal
 CCAS6747-3100410FO

L356 x P337 x H585 mm

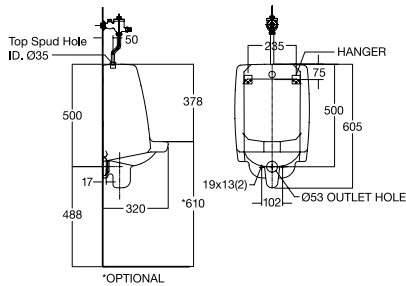
Urinals



Washbrook Urinal

CCAS6591-3200410C0 (Top Inlet)
CCAS6591-3100410C0 (Back Inlet)

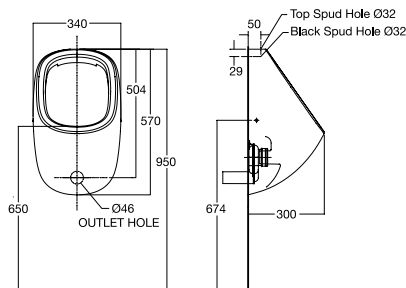
L475 x P374 x H690 mm



Mini Washbrook Urinal

CCAS6401-4200410P0 (Top Inlet)
CCAS6401-3100410C0 (Back Inlet)

L355 x P320 x H615 mm

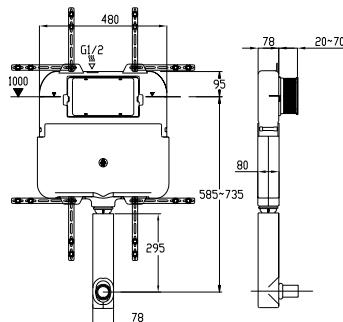


Active Urinal

CCAS6728-3200410P0 (Top Inlet)
CCAS6728-3100410P0 (Back Inlet)

L340 x P300 x H570 mm

Concealed Cisterns

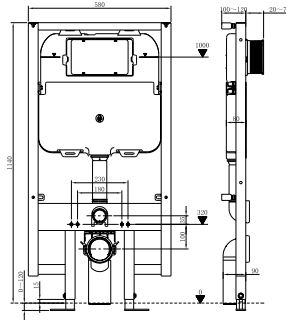


Repelo Concealed Cistern - Asia CLCN52ZZ

Compatible with Concept Oblong (CLCN59ZZ) and Concept Pillow (CLCN60ZZ) Flush Plates
Dirt resistant
Partial flush at 3L, Full flush at 4.5 to 6L

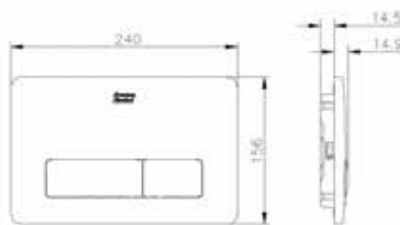


Concealed Cisterns



Repelo Concealed Cistern with Frame CLCN54ZZ

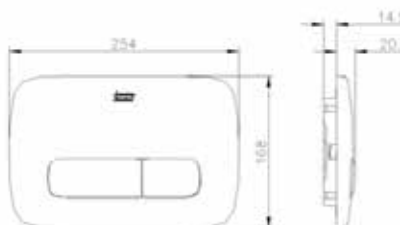
Mechanical faceplate
Dual flush with CLCN51ZZ,
CLCN52ZZ, CLCN53ZZ, CLCN54ZZ,
CLCN55ZZ
Tool-free mounting and maintenance
work on concealed cistern
Actuation force <20N



Concept Oblong Flush Plate CLCN59ZZ

L240 x H156 mm

Mechanical faceplate
Compatible with CLCN52ZZ,
CLCN54ZZ, CLCN58ZZ
Tool-free mounting and maintenance
work on concealed cistern
Actuation force <20N



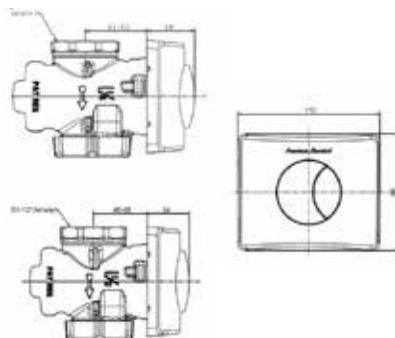
Concept Pillow Flush Plate CLCN60ZZ

L240 x H168 mm

Mechanical faceplate
Compatible with CLCN52ZZ,
CLCN54ZZ, CLCN58ZZ
Tool-free mounting and maintenance
work on concealed cistern
Actuation force <20N

Flush Valves (Toilet)

Concealed Portion

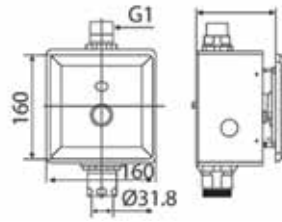


Concept Arc Dual Flush Valve FFAS9809-000500BA0 (32mm)

L110 x H90 mm

Cartridge tested for 200,000 Cycles
for full flush
Full flush: ≥ 4.5 LPF
Half flush: Less than Full Flush
Half Flush Self-closing on continuous
press

Flush Valves (Toilet)

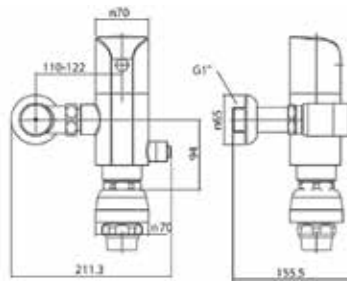


SenseFlow Concealed Sensor Toilet Flush Valve w/ Manual Override
8603 (DC)
8613 (AC)

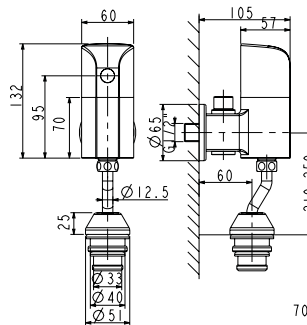
SenseFlow Concealed Toilet Flush Valve
8603.OP2 (DC)
8613.OP2 (AC)

(4.5li water-saving)

Concealed Urinal Flush Valve w/ Manual Button
8603.OP3 (DC)
8613.OP3 (AC)

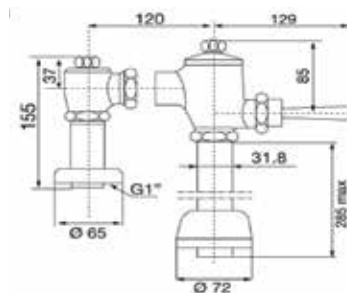


Selectronic Exposed Sensor Toilet Flush Valve (DC)
8833



Exposed Sensor Flush Valve
FFAS8834-000500BC0

Sensing distance of
40 to 60 cm
6V DC
Prevents back flow
Auto flush 24 hrs

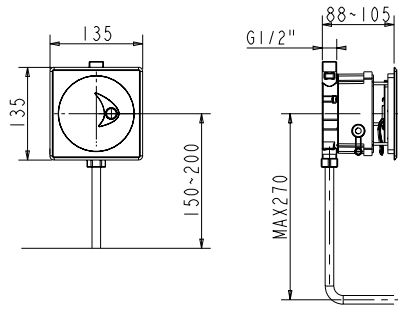


F511 Toilet Flush Valve, Lever Type
5110

Toilet Flush Valve
9803.OP2

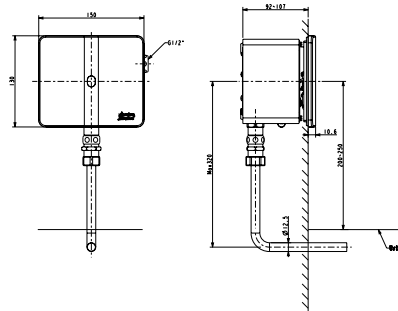
4.5li water-saving

Flush Valves (Urinal)



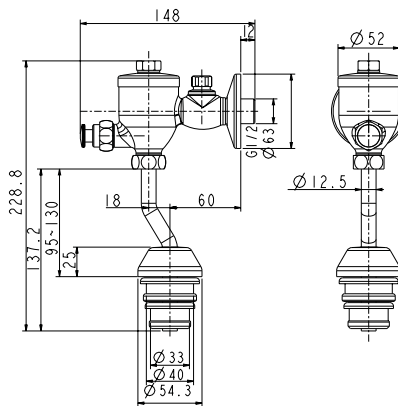
Concealed Sensor Flush Valve
 FFAS8004-000500BFO
 FFAS8014-0005E0BP0FFAS8004

Infrared sensor distance of 40 to 80 cm
 Pre-flush 1.5s, Post flush 8s
 6V DC lithium battery or 220V AC



Senseflow Concealed Urinal Sensor Flush Valve
 FFAS8614-000500BFO

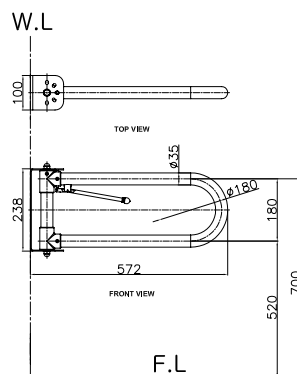
Infrared sensor distance 40 to 60 cm
 Pre-flush 1.5s, Post flush 8s, Auto flush 24 hrs
 4 AA alkaline batteries or 220V AC; multiple connection with 1 AC supply- 3 pcs



Exposed Urinal Flush Valve
 FFAS9802-009500BFO

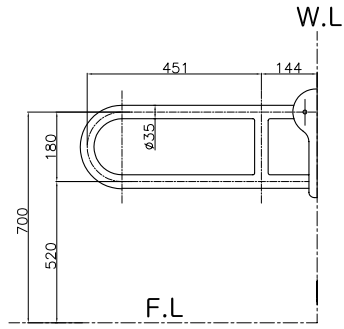
1/2" inlet with shut off valve, adjustable flow volume and flush pipe connection

Grab Bars

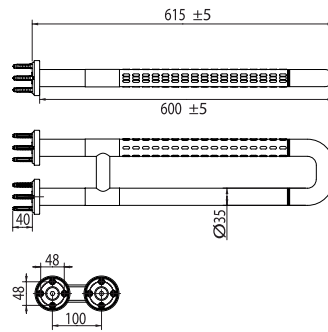


Moving Type Grab Bar (Left / Right)
 FJ9527-0GAK991AS

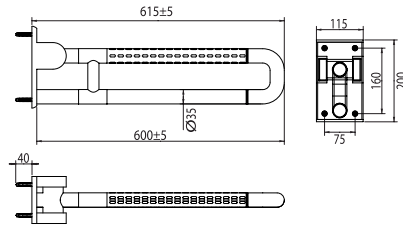
Grab Bars



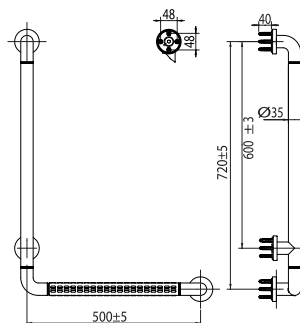
Moving Type Grab Bar
FJ9526-OGAK991AS



Nylon Grab Bar
FFAS9402-000040BC0

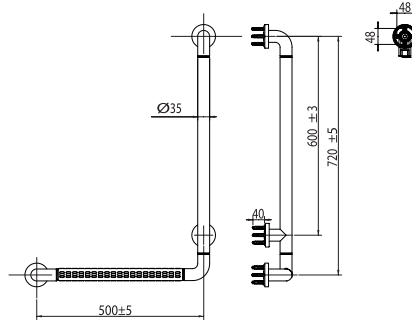


Turnup Nylon Grab Bar
FFAS9401-000040BC0

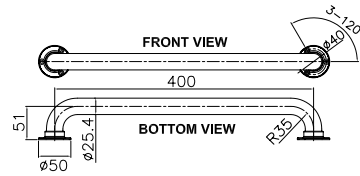


L-Shaped Nylon Grab Bar (Right)
FFAS9405-000040BC0

Grab Bars

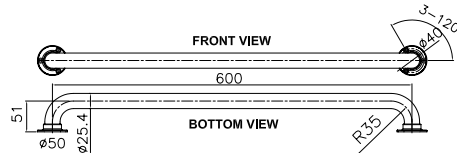


L-Shaped Nylon Grab Bar (Left)
FFAS9404-000040BC0













Grab Bar
9531






400mm









Grab Bar
9533

600mm

Compatibility Chart URINAL MANUAL FLUSH VALVES			9859	T-3000-N	A-5000-N	5010
						
MINI WASHBROOK	6401					•
NEW WASHBROOK	6502					•
CONTOUR	6727		•			•
ACTIVE	6728		•			•
PENTA	6734		•	•	•	•
WALL	412		•	•	•	•

9802.OP5.5E	9803.OP0	9803.OP1	9803.OP0 + 9914 Connecting Pipe	9803.OP1 + 9914 Connecting Pipe
				
	•	•		
	•	•		
•			•	•
•			•	•
•			•	•
•				

Compatibility Chart URINAL SENSOR FLUSH VALVES			SENSEFLOW CONCEALED	SENSEFLOW CONCEALED	SENSOR CONCEALED
			8603.OP3 DC 8613.OP3 AC + SAC001 Coupling	8603.OP3 DC 8613.OP3 AC + 1581933699 Elbow + SAC001 Coupling	8701 DC 8711 AC
					
MINI WASHBROOK	6401			•	•
NEW WASHBROOK	6502			•	•
ACTIVE	6728			•	•
PENTA	6734			•	•
WALL	412			•	•
MINI WASHBROOK BACK INLET	6401BD		•		•
NEW WASHBROOK BACK INLET	6502BD		•		•
ACTIVE BACK INLET	6728.322		•		•
CONCEPT BACK INLET	6508.322		•		•
NEO MODERN BACK INLET	6747.322		•		•

SENSOR CONCEALED	SENSOR CONCEALED	SENSOR CONCEALED	SENSOR EXPOSED	SENSOR EXPOSED	SENSOR EXPOSED
8604 DC 8614 AC	8604 DC 8614 AC + 1581933699 Elbow	8004 DC 8014 AC	8609	8834	8834 + 9914 Connecting Pipe
					
	•	•	•	•	
	•	•	•	•	
	•	•	•		•
	•	•	•		
	•	•	•		
•		•			
•		•			
•		•			
•		•			
•		•			

Care and Maintenance

To keep your new American Standard Product beautiful and fully functional, please follow these simple care instructions:

Step 1: Rinse non-electronic components with clear water.

Step 2: Dry the components with a soft cotton cloth.

Regular cleaning will reduce the need for heavy cleaning and polishing. However, if heavy cleaning is required, the following procedure is recommended.

Step 1: Remove as much surface dirt and film on non-electronic components using clear water and soft cotton cloth.

Step 2: Use any of the following to remove tough surface film and build-up:

- Mild liquid detergents
- Clear liquid glass cleaners
- Non-acidic and non-abrasive liquid or fully dissolved powder cleansers mixed according to manufacturer's directions
- Non-abrasive cloths and paper towels

American Standard values your comments and suggestions. Please feel free to share your experiences with our products and services by contacting us at:

Call Customer Service

+632 88933113 Loc 506

+63 917 3205717

Office Hours

MONDAY - FRIDAY:

9:00am - 6:00pm

Office Address

Customer Service and After Sales Department
LIXIL Philippines, Inc. Unit 2201-T, 22nd Floor,
SM Aura Tower, 26th Street corner Mckinley Parkway,
Bonifacio Global City, Taguig City, Philippines 1630

Write to us:

customerserviceph@lixil.com

Warranty

LIXIL Philippines, Inc. warrants this product and all parts thereof, except as set forth below to be FREE FROM DEFECTIVE MATERIALS AND WORKMANSHIP from the date of the original purchase for the period shown above (“The Warranty Period”) for a corresponding number of years as shown in the table below:

Ceramics	Warranty
Ceramics/ Chinaware (except for old models discontinued from production)	Lifetime*
Tank Fittings	14 months
Fittings	
Ceramic Disc Valve	Lifetime*
Ceramic Disc Valve- (Models: Chi, Rio, Shikaku, Maru, WIL, ISS, AMM)	3 years
Body and Handle	2 years
Rubber Parts	14 months
Accessories and Sensors	14 months
Tubs	
Acrylic Body	14 months
Tub Fittings (overflow pipe, waste outlet, etc.)	14 months

*Lifetime means the period within which the product/parts concerned have not been discontinued from the production.

Pursuant to this warranty, if the product is found defective upon inspection within the warranty period, LIXIL Philippines, Inc. at its option will (i) repair products using new parts or (ii) replace the defective product with a new product.

To claim warranty, customer needs to provide the official receipt or the warranty card to determine if the claim is within the warranty period.

This limited warranty is applicable only to American Standard products purchased from LIXIL Philippines, Inc. or its authorized dealers.

WARRANTY LIMITATIONS:

1. This limited warranty does not include the following:
 - a. Damages arising from shipping, installation, alterations, accidents, abuse, misuse, lack of proper maintenance and use of other non-American Standard replacement parts; regardless of whether it is caused by plumbing contractor, service company, the owner, or any other person.
 - b. Surface damage due to use of acidic, corrosive, and abrasive liquid or abrasive cloth
 - c. Leaks due to non-flushing of water lines prior installation of the products
 - d. Deterioration through normal wear and tear
 - e. Regular maintenance requirements-periodic replacement of washers, seals, etc.
 - f. Models that are discontinued from production
 - g. If consumables subject to wear and tear are affected (e.g., filter cartridges, aerators, or batteries)
2. This limited warranty does not apply if the product does not comply with local building code. Since the building codes vary considerably, the purchaser should check with a local building or plumbing contractor to ensure local code compliance before installation.
3. Option to repair or exchange the product under this limited warranty does not cover any labor or any other cost for removal or installation, including but not limited to tiles and marbles, etc. Cost will be to the account of the buyer.

Project references





A showcase of our bathroom collections from some of our satisfied global clients.

Four Points by Sheraton – Penghu, Taiwan



Crowne Plaza Tainan – Taiwan



Concorde Hotel – Singapore



Taiping Lake Resort – Anhui, China



Media Center Phoenix Hotel Dalian – Liaoning, China



Sunshine Intl. Hotel Xiangxi – Hunan, China



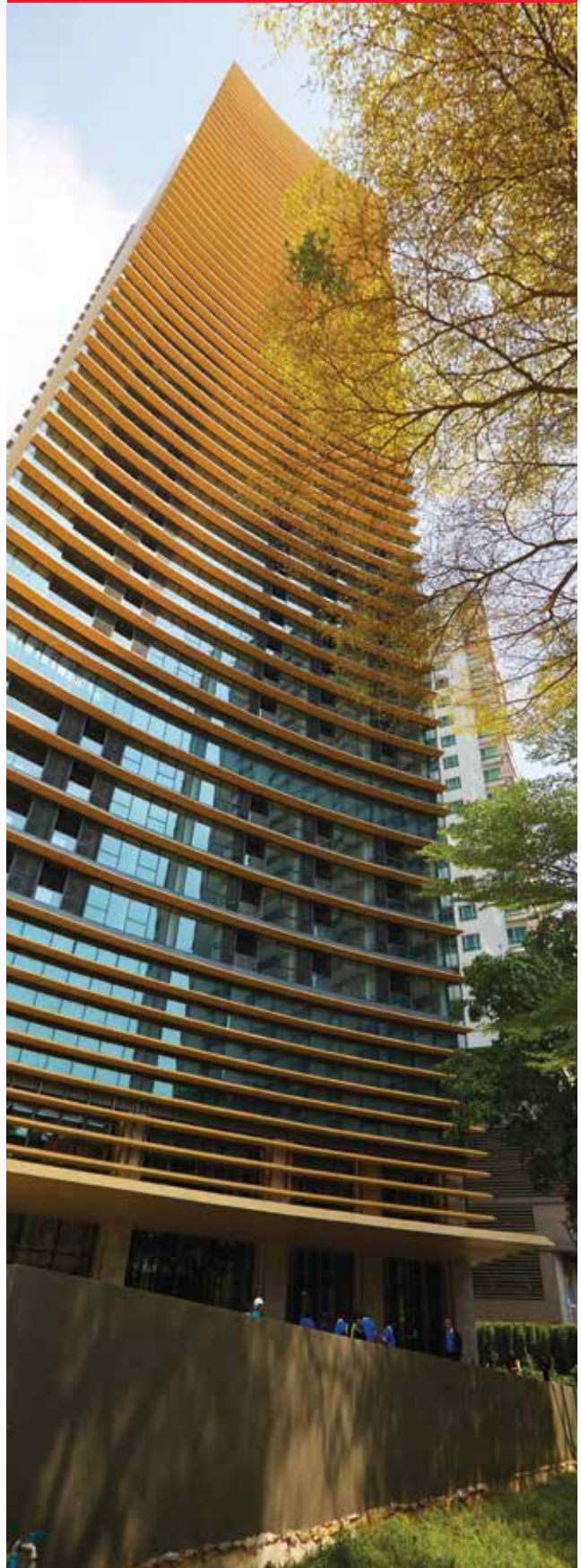
Xian Paradise Hotel of Han Dynasty – Shanxi, China



The Central - **Changsha, China**



The Lumpini 24 - **Bangkok, Thailand**



Grande Centre Point Sukhumvit 55 - Bangkok, Thailand



Grande Centre Point Terminal 21 - Bangkok, Thailand



Incheon International Airport - Incheon, South Korea



Okada Manila - Manila, Philippines



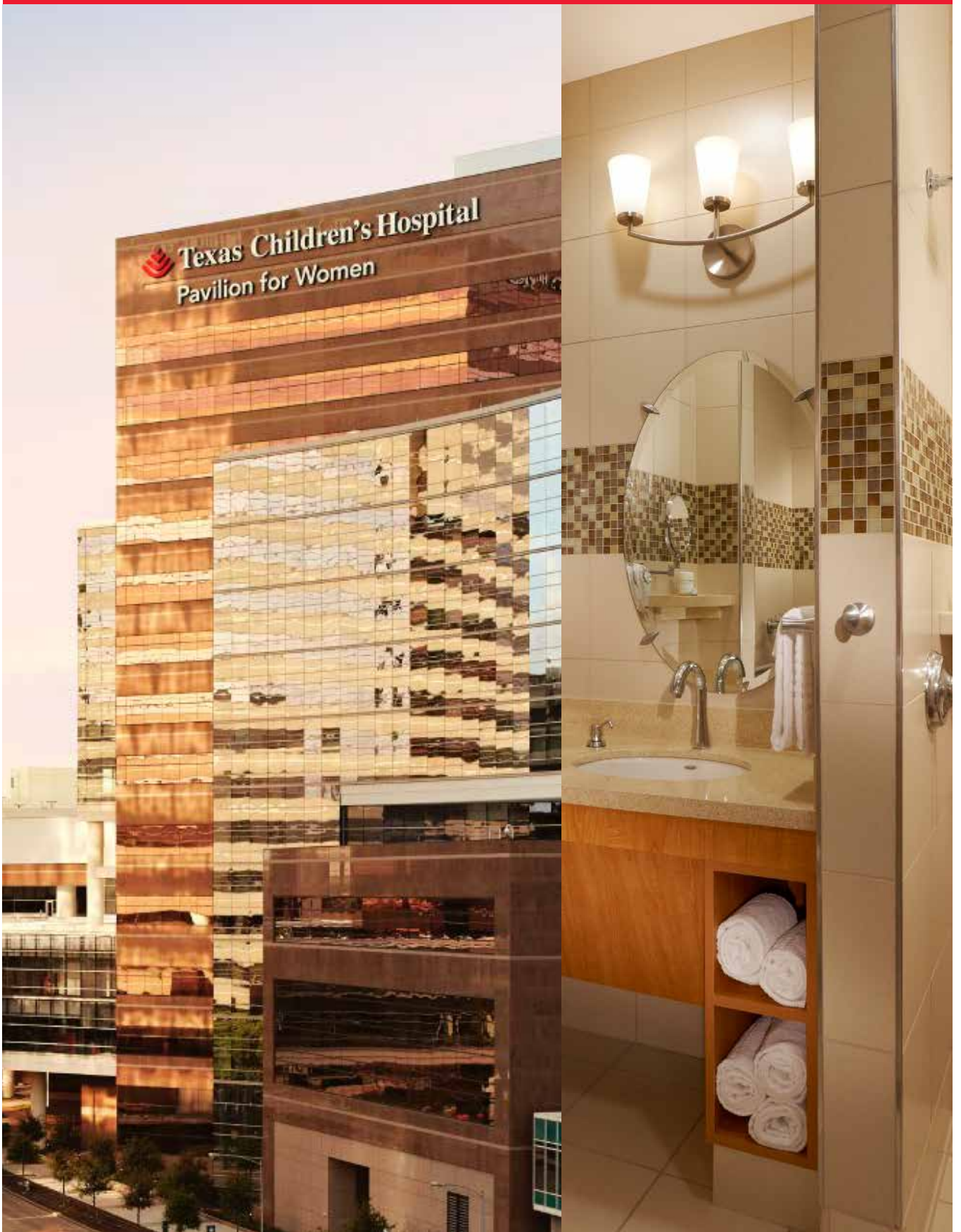


Loews Miami - Miami, Florida, USA



Atlanta Gateway Marriott - Georgia, USA





American Standard
AmericanStandard.ph

Follow us



americanstandard.ph



Facebook.com/AmericanStandardPH



Instagram.com/americanstandard_ph



LIXIL PHILIPPINES INC.

Unit 2201T, 22/F, SM Aura Tower 26th St. corner McKinley Parkway The Fort,
Taguig City 1630 Philippines

PART OF LIXIL