



JK ALUMINIUM EXTRUSION PRIVATE LIMITED

OFFICE ADDRESS : GURUDWARA
GATE NO.3 YATRI NIWAS ROAD,
OPPOSITE KHURSALE HOSPITAL,
NANDED-431601



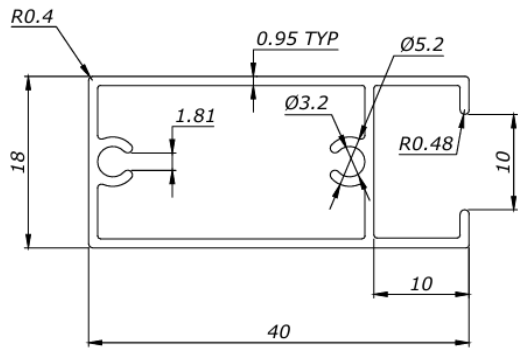
JK

JK ALUMINIUM

SECTION DRAWING



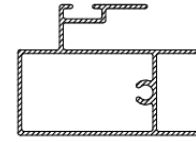
SCALE 1:1



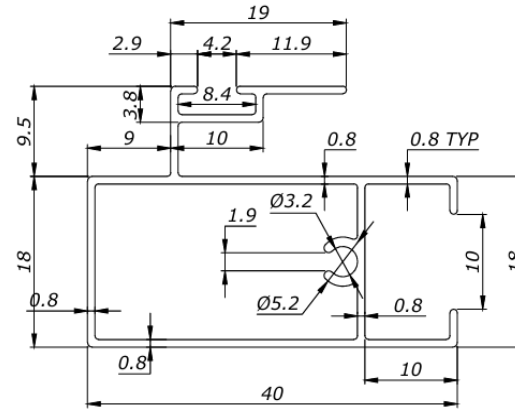
SCALE 2:1

UN SPECIFIED SHARP CORNERS 0.3MM

SECTION DRAWING



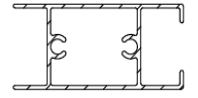
SCALE 1 : 1



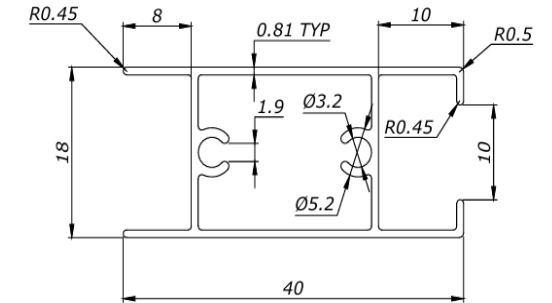
SCALE 2:1

UN SPECIFIED SHARP CORNERS 0.3MM

SECTION DRAWING



1:1



SCALE 2:1

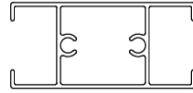
UN SPECIFIED SHARP CORNERS 0.3MM

| SECTION NAME | ¾ HANDLE |
|--------------|------------|
| W.T. METER | 0.666KG/M |
| WEIGHT | 1.28KG/12' |
| SECTION NO. | 9001 |

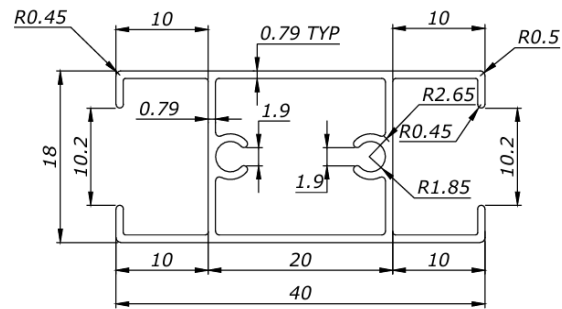
| SECTION NAME | ¾ INTERLOCK |
|--------------|-------------|
| W.T. METER | 0.354KG/M |
| WEIGHT | 1.297KG/12' |
| SECTION NO. | 9002 |

| SECTION NAME | ¾ TOP-BOTTOM |
|--------------|--------------|
| W.T. METER | 0.304KG/M |
| WEIGHT | 1.113KG/12' |
| SECTION NO. | 9003 |

SECTION DRAWING

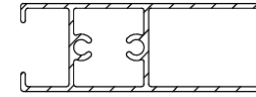


1:1

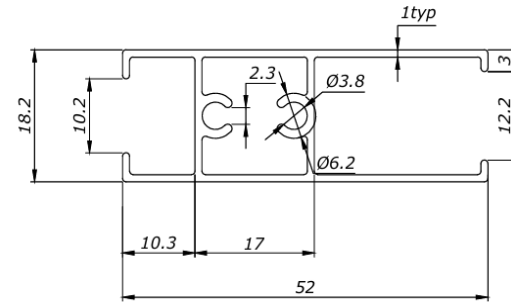


SCALE 2:1

SECTION DRAWING

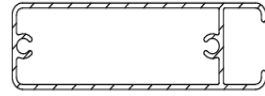


1:1

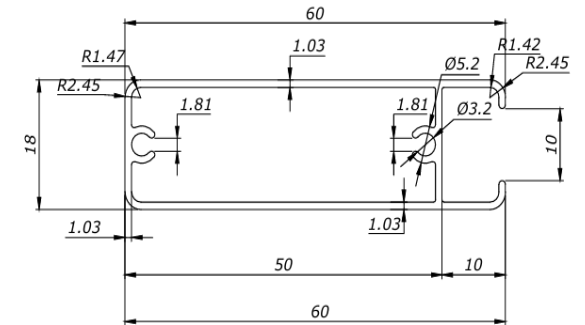


SCALE 2:1

SECTION DRAWING



SCALE 1:1



SCALE 1.5:1

UN SPECIFIED SHARP CORNERS 0.3MM

UN SPECIFIED SHARP CORNERS 0.3MM

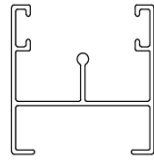
UN SPECIFIED SHARP CORNERS 0.3MM

| SECTION NAME | 3/4 MIDDLE |
|--------------|-------------|
| W.T. METER | 0.301KG/M |
| WEIGHT | 1.102KG/12' |
| SECTION NO. | 9004 |

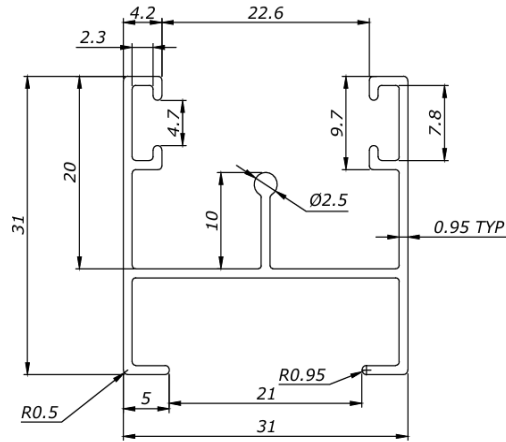
| SECTION NAME | 3/4 BEARING BOTTOM |
|--------------|--------------------|
| W.T. METER | 0.448KG/M |
| WEIGHT | 1.639KG/12' |
| SECTION NO. | 9005 |

| SECTION NAME | 18X60 HANDLE |
|--------------|--------------|
| W.T. METER | 0.473KG/M |
| WEIGHT | 1.734KG/12' |
| SECTION NO. | 9006 |

SECTION DRAWING

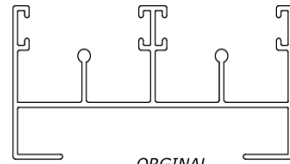


1:1

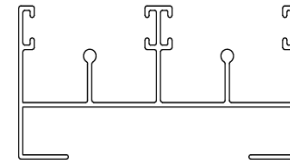


SCALE 2:1

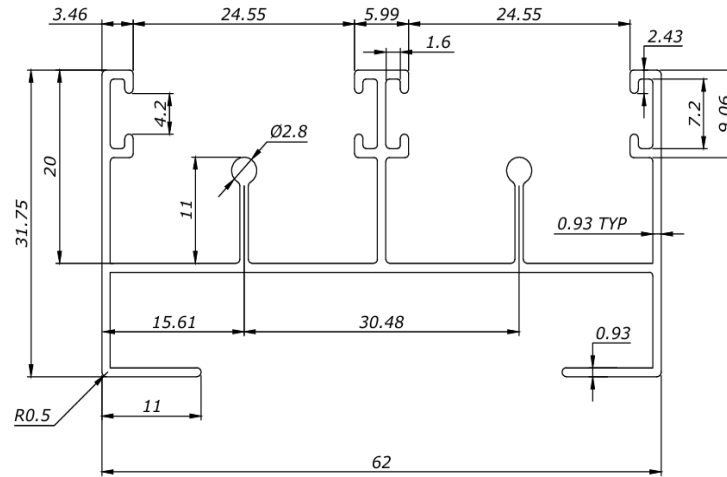
SECTION DRAWING



ORIGINAL



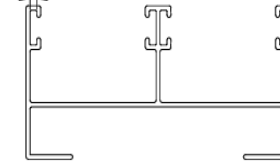
1:1



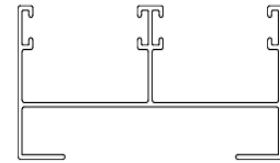
SCALE 2:1

SECTION DRAWING

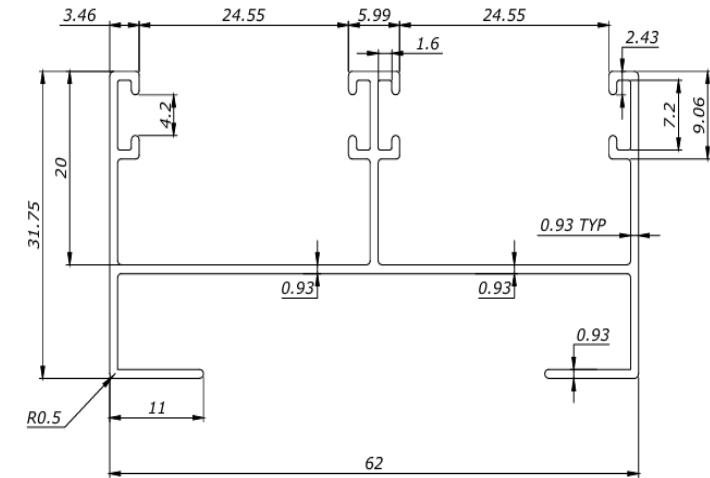
1.6



ORIGINAL



1:1



SCALE 2:1

UN SPECIFIED SHARP CORNERS 0.3MM

UN SPECIFIED SHARP CORNERS 0.3MM

UN SPECIFIED SHARP CORNERS 0.3MM

| SECTION NAME | SINGLE TRACK BOTTOM |
|--------------|---------------------|
| W.T. METER | 0.313KG/M |
| WEIGHT | 1.149KG/12' |
| SECTION NO. | 9010 |

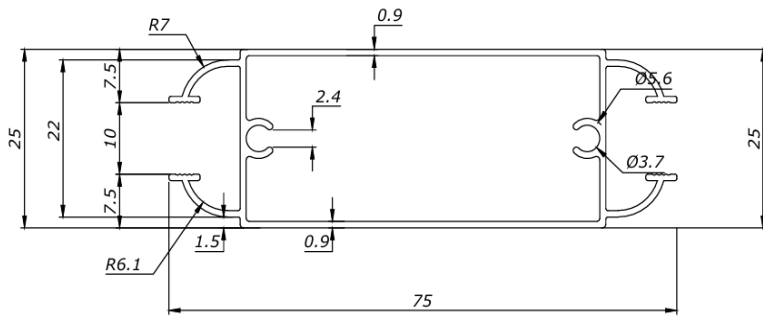
| SECTION NAME | 2TB |
|--------------|-------------|
| W.T. METER | 0.565KG/M |
| WEIGHT | 2.068KG/12' |
| SECTION NO. | 9011 |

| SECTION NAME | 2TT |
|--------------|-------------|
| W.T. METER | 0.490KG/M |
| WEIGHT | 1.794KG/12' |
| SECTION NO. | 9012 |

SECTION DRAWING



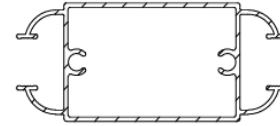
1:1



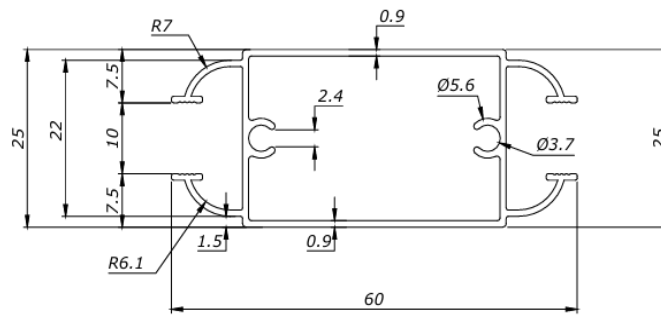
SCALE 1.5:1

UN SPECIFIED SHARP CORNERS 0.3MM

SECTION DRAWING



1:1



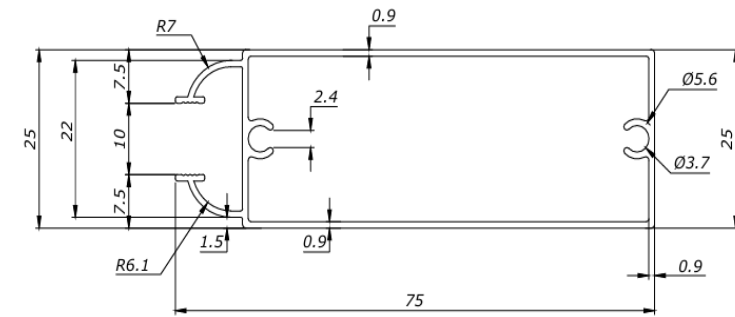
SCALE 1.5:1

UN SPECIFIED SHARP CORNERS 0.3MM

SECTION DRAWING



1:1



SCALE 1.5:1

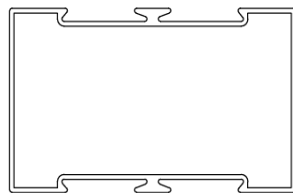
UN SPECIFIED SHARP CORNERS 0.3MM

| SECTION NAME | 3X1 MOULDING MIDDLE |
|--------------|---------------------|
| W.T. METER | 0.562KG/M |
| WEIGHT | 2.060KG/12' |
| SECTION NO. | 9022 |

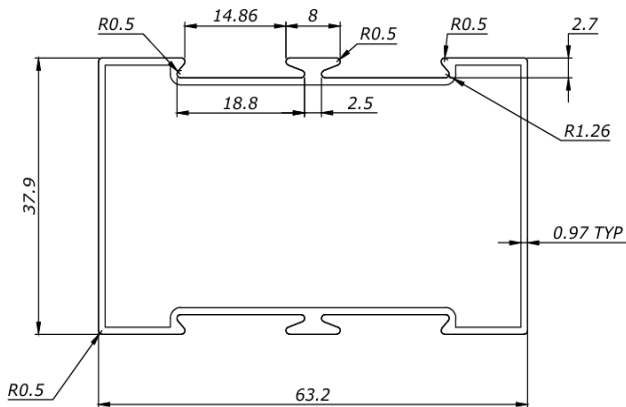
| SECTION NAME | 60X25 MOULDING MIDDLE |
|--------------|-----------------------|
| W.T. METER | 0.490KG/M |
| WEIGHT | 1.793KG/12' |
| SECTION NO. | 9023 |

| SECTION NAME | 3X1 MOULDING HANDLE |
|--------------|---------------------|
| W.T. METER | 0.470KG/M |
| WEIGHT | 1.721KG/12' |
| SECTION NO. | 9024 |

SECTION DRAWING



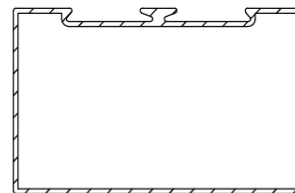
1:1



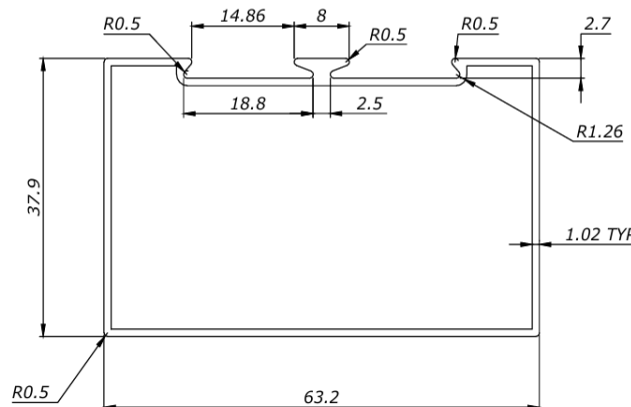
SCALE 1.5:1

UN SPECIFIED SHARP CORNERS 0.3MM

SECTION DRAWING



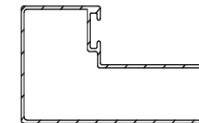
1:1



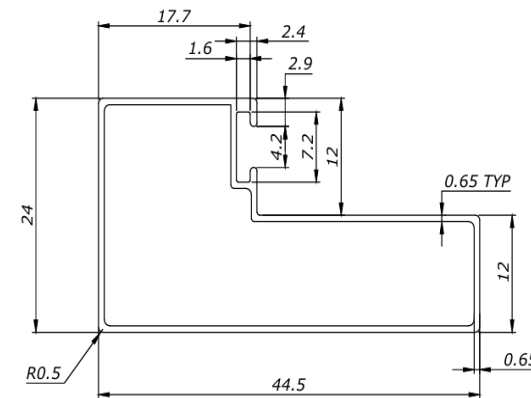
SCALE 1.5:1

UN SPECIFIED SHARP CORNERS 0.3MM

SECTION DRAWING



1:1



SCALE 1.5:1

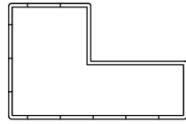
UN SPECIFIED SHARP CORNERS 0.3MM

| SECTION NAME | DP |
|--------------|-------------|
| W.T. METER | 0.635KG/M |
| WEIGHT | 2.327KG/12' |
| SECTION NO. | 9025 |

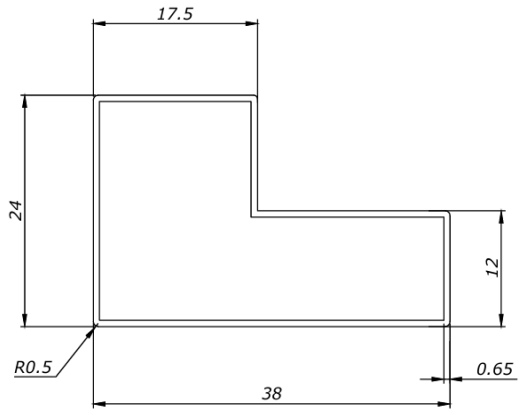
| SECTION NAME | SP |
|--------------|-------------|
| W.T. METER | 0.604KG/M |
| WEIGHT | 2.211KG/12' |
| SECTION NO. | 9026 |

| SECTION NAME | 2X1 L PIPE |
|--------------|-------------|
| W.T. METER | 0.251KG/M |
| WEIGHT | 0.920KG/12' |
| SECTION NO. | 9027 |

SECTION DRAWING



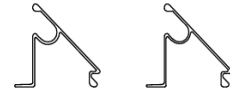
1:1



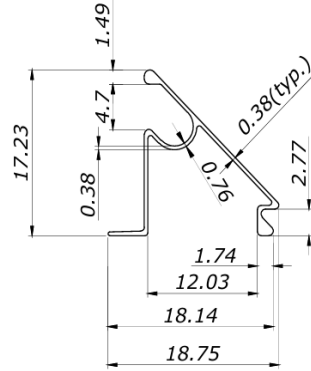
SCALE 2:1

UN SPECIFIED SHARP CORNERS 0.3MM

SECTION DRAWING



SCALE 1:1



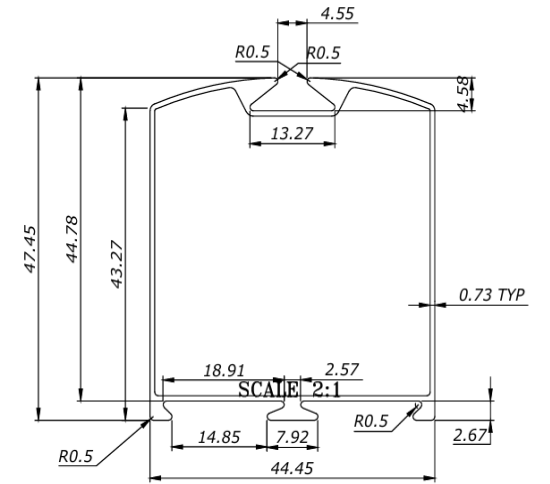
SCALE 2:1

UN SPECIFIED SHARP CORNERS 0.3MM

SECTION DRAWING



SCALE: 1:1



SCALE 1.5: 1

SCALE 2:1

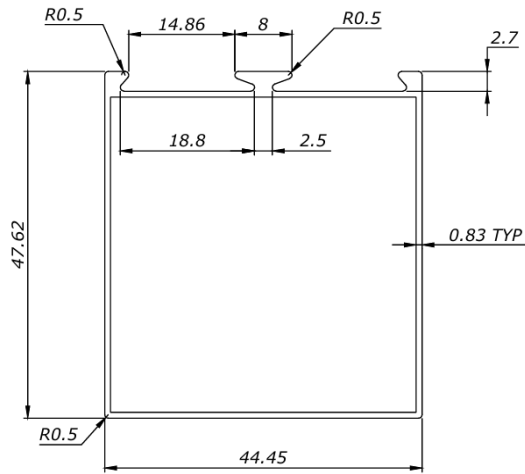
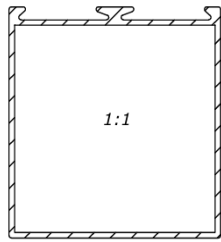
UN SPECIFIED SHARP CORNERS 0.3MM

| SECTION NAME | 1.5X1 L PIPE |
|--------------|--------------|
| W.T. METER | 0.245KG/M |
| WEIGHT | 0.900KG/12' |
| SECTION NO. | 9028 |

| SECTION NAME | GLAZING CLIP |
|--------------|--------------|
| W.T. METER | 0.059KG/M |
| WEIGHT | 0.216KG/12' |
| SECTION NO. | 9029 |

| SECTION NAME | DOOR VERTICLE |
|--------------|---------------|
| W.T. METER | 0.616KG/M |
| WEIGHT | 2.255KG/12' |
| SECTION NO. | 9030 |

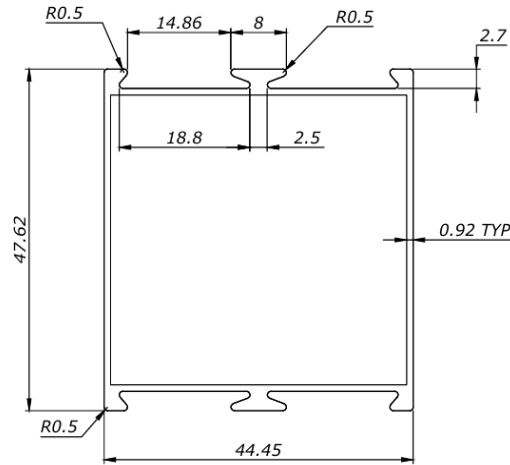
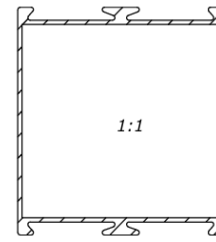
SECTION DRAWING



SCALE 1.5: 1

UN SPECIFIED SHARP CORNERS 0.3MM

SECTION DRAWING



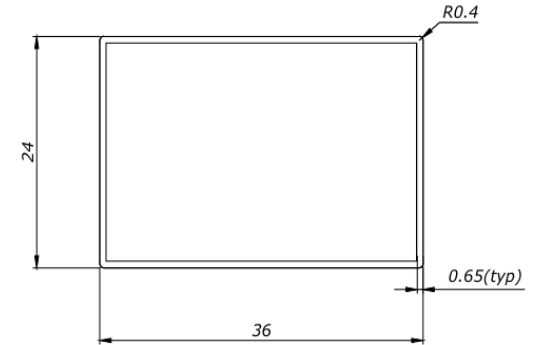
SCALE 1.5: 1

UN SPECIFIED SHARP CORNERS 0.3MM

SECTION DRAWING



SCALE 1:1



SCALE 2:1

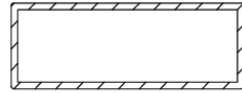
UN SPECIFIED SHARP CORNERS 0.3MM

| SECTION NAME | DOOR SP |
|--------------|-------------|
| W.T. METER | 0.616KG/M |
| WEIGHT | 2.255KG/12' |
| SECTION NO. | 9031 |

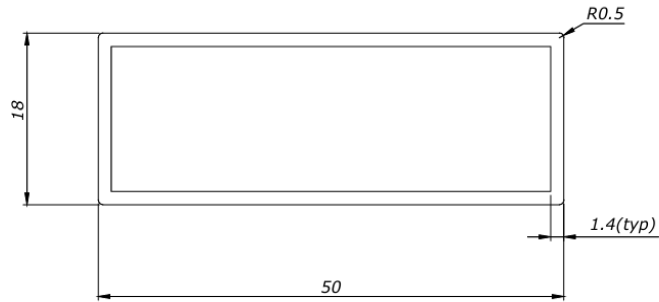
| SECTION NAME | DOOR MIDDLE |
|--------------|-------------|
| W.T. METER | 0.578KG/M |
| WEIGHT | 2.116KG/12' |
| SECTION NO. | 9032 |

| SECTION NAME | 36X24 RT (1.5X1) |
|--------------|------------------|
| W.T. METER | 0.221KG/M |
| WEIGHT | 0.809KG/12 |
| SECTION NO. | 9033 |

SECTION DRAWING



SCALE 1:1



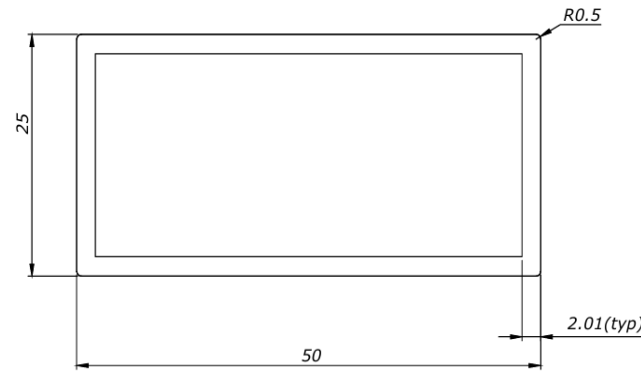
SCALE 2:1

UN SPECIFIED SHARP CORNERS 0.3MM

SECTION DRAWING



SCALE 1:1



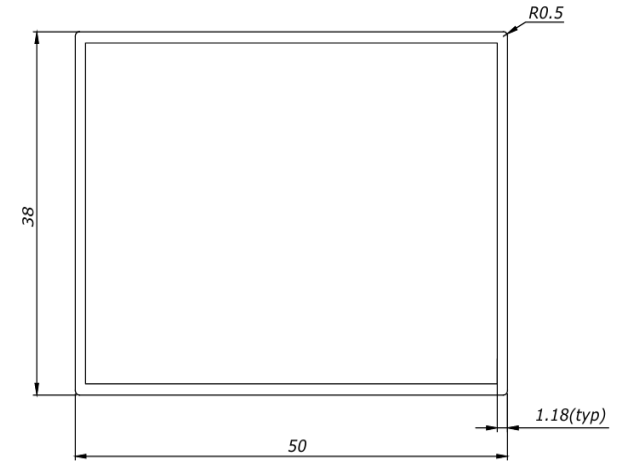
SCALE 2:1

UN SPECIFIED SHARP CORNERS 0.3MM

SECTION DRAWING



SCALE 1:1



SCALE 2:1

UN SPECIFIED SHARP CORNERS 0.3MM

| SECTION NAME | 50X18 RT (2X3/4) |
|--------------|------------------|
| W.T. METER | 0.492KG/M |
| WEIGHT | 1.809KG/12' |
| SECTION NO. | 9034 |

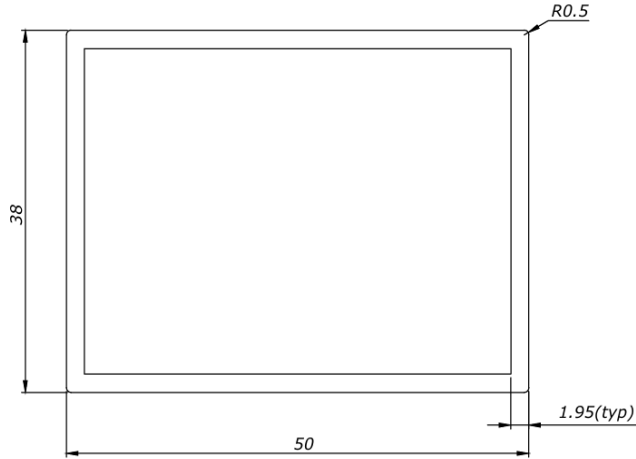
| SECTION NAME | 50X25 RT(2X1) |
|--------------|---------------|
| W.T. METER | 0.769KG/M |
| WEIGHT | 2.817KG/12 |
| SECTION NO. | 9035 |

| SECTION NAME | 50X38 RT(2X1.5) |
|--------------|-----------------|
| W.T. METER | 0.545KG/M |
| WEIGHT | 1.995KG/12' |
| SECTION NO. | 9036 |

SECTION DRAWING



SCALE 1:1



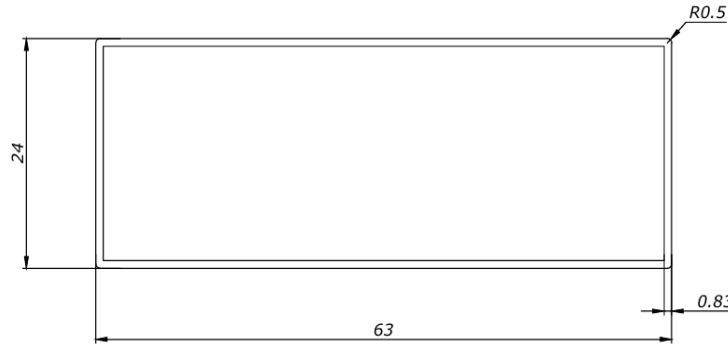
SCALE 2:1

UN SPECIFIED SHARP CORNERS 0.3MM

SECTION DRAWING



SCALE 1:1



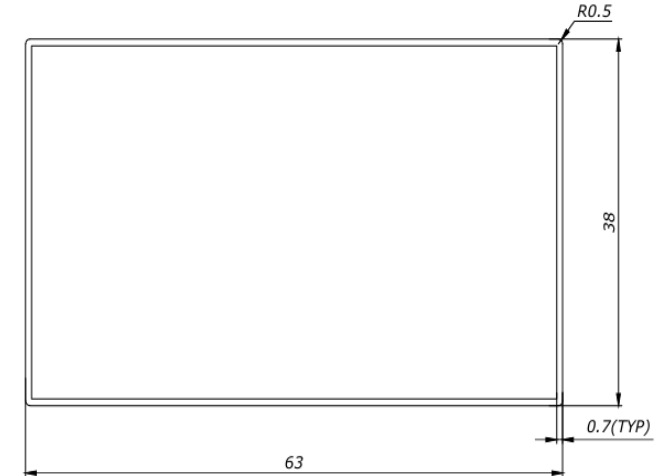
SCALE 2:1

UN SPECIFIED SHARP CORNERS 0.3MM

SECTION DRAWING



SCALE 1:1



SCALE 2:1

UN SPECIFIED SHARP CORNERS 0.3MM

| | |
|---------------------|------------------------------|
| SECTION NAME | 50X38 RT(2X1.5 HEAVY) |
| W.T. METER | 0.876KG/M |
| WEIGHT | 3.207KG/12' |
| SECTION NO. | 9037 |

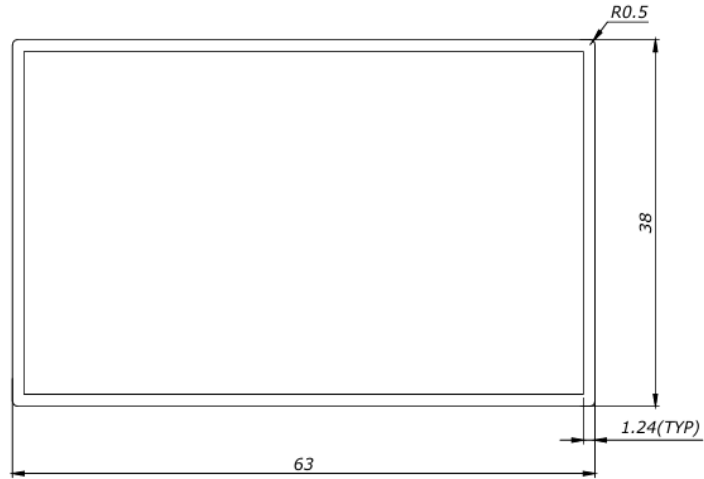
| | |
|---------------------|-------------------------|
| SECTION NAME | 63X24 RT (2.5X1) |
| W.T. METER | 0.381KG/M |
| WEIGHT | 1.397KG/12' |
| SECTION NO. | 9038 |

| | |
|---------------------|--------------------------|
| SECTION NAME | 63X38 RT(2.5X1.5) |
| W.T. METER | 0.381KG/M |
| WEIGHT | 1.397KG/12' |
| SECTION NO. | 9039 |

SECTION DRAWING



SCALE 1:1



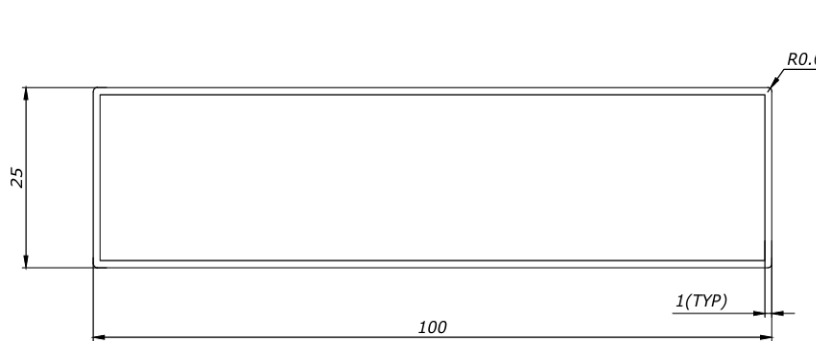
SCALE 2:1

UN SPECIFIED SHARP CORNERS 0.3MM

SECTION DRAWING



SCALE 1:1



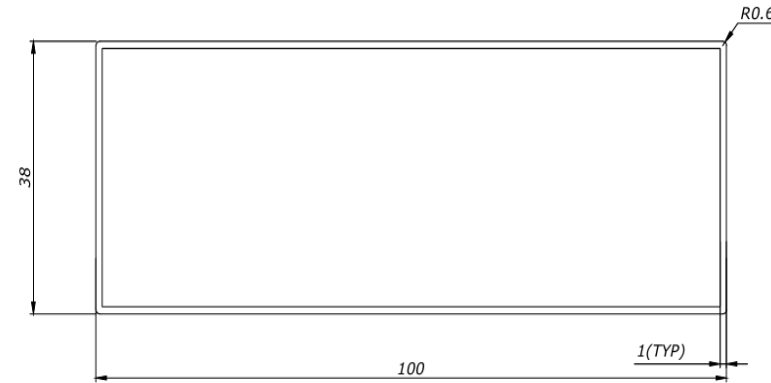
SCALE 1.5:1

UN SPECIFIED SHARP CORNERS 0.3MM

SECTION DRAWING



SCALE 1:1



SCALE 1.5:1

UN SPECIFIED SHARP CORNERS 0.3MM

| SECTION NAME | 63X38 RT(2.5X1.5 HEAVY) |
|--------------|-------------------------|
| W.T. METER | 0.659KG/M |
| WEIGHT | 2.412KG/12' |
| SECTION NO. | 9040 |

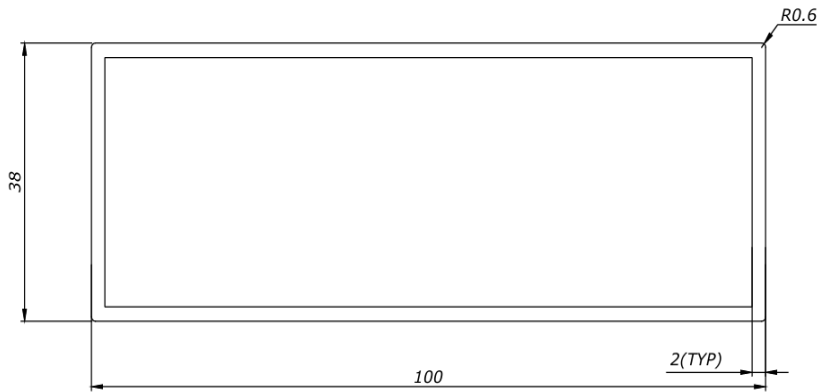
| SECTION NAME | 100X25 RT(4X1) |
|--------------|----------------|
| W.T. METER | 0.663KG/M |
| WEIGHT | 2.427KG/12' |
| SECTION NO. | 9041 |

| SECTION NAME | 100X38(4X1.5) |
|--------------|---------------|
| W.T. METER | 0.733KG/M |
| WEIGHT | 2.684KG/12' |
| SECTION NO. | 9042 |

SECTION DRAWING



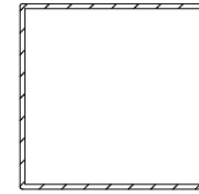
SCALE 1:1



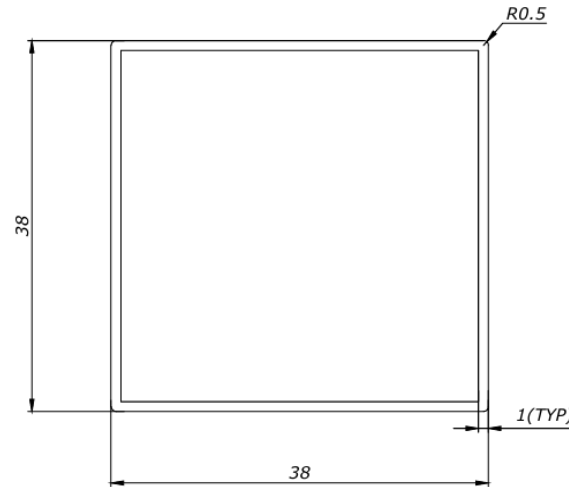
SCALE 1.5:1

UN SPECIFIED SHARP CORNERS 0.3MM

SECTION DRAWING



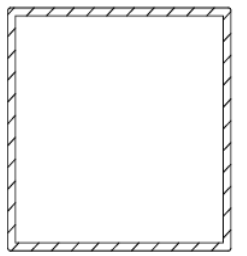
SCALE 1:1



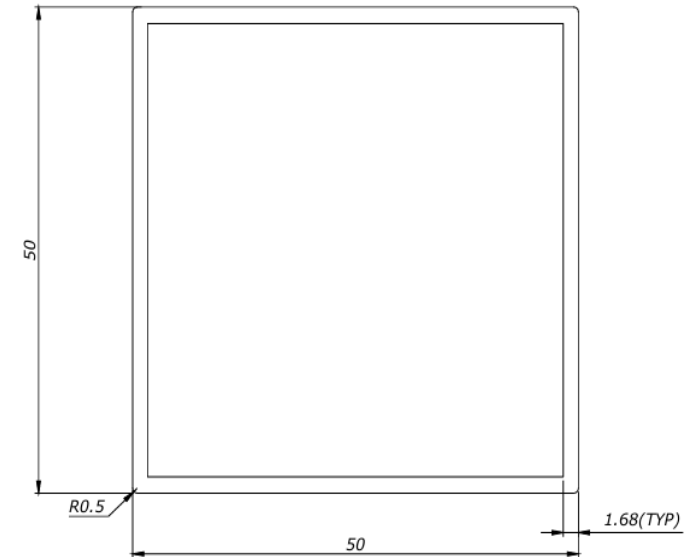
SCALE 2:1

UN SPECIFIED SHARP CORNERS 0.3MM

SECTION DRAWING



SCALE 1:1



SCALE 2:1

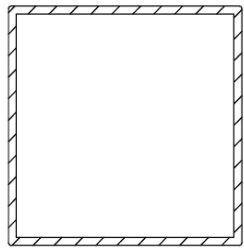
UN SPECIFIED SHARP CORNERS 0.3MM

| | |
|---------------------|----------------------------|
| SECTION NAME | 100X38(4X1.5 HEAVY) |
| W.T. METER | 1.446KG/M |
| WEIGHT | 5.293KG/12' |
| SECTION NO. | 9043 |

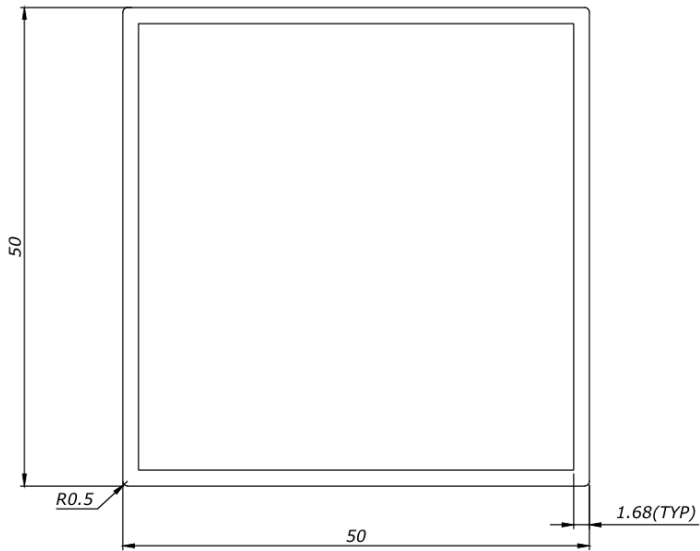
| | |
|---------------------|---------------------------|
| SECTION NAME | 38X38 SQT(1.5X1.5) |
| W.T. METER | 0.399KG/M |
| WEIGHT | 1.460KG/12' |
| SECTION NO. | 9044 |

| | |
|---------------------|-----------------------|
| SECTION NAME | 50X50 SQT(2X2) |
| W.T. METER | 0.876KG/M |
| WEIGHT | 3.206KG/12' |
| SECTION NO. | 9045 |

SECTION DRAWING



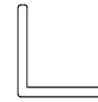
SCALE 1:1



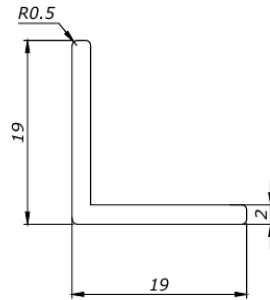
SCALE 2:1

UN SPECIFIED SHARP CORNERS 0.3MM

SECTION DRAWING



SCALE 1:1



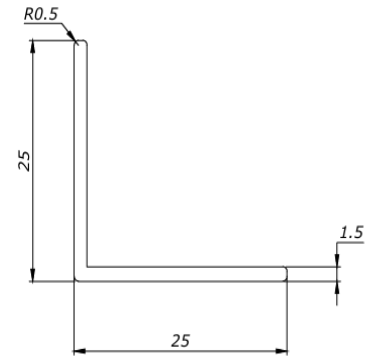
SCALE 2:1

UN SPECIFIED SHARP CORNERS 0.3MM

SECTION DRAWING



SCALE 1:1



SCALE 2:1

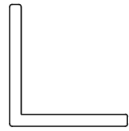
UN SPECIFIED SHARP CORNERS 0.3MM

| SECTION NAME | 50X50 SQT(2X2) |
|--------------|----------------|
| W.T. METER | 0.876KG/M |
| WEIGHT | 3.206KG/12' |
| SECTION NO. | 9046 |

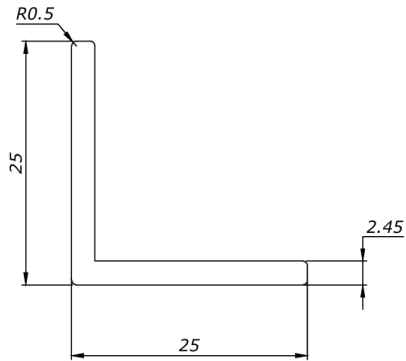
| SECTION NAME | 19X19 ANGLE (3/4X3/4) |
|--------------|-----------------------|
| W.T. METER | 0.193KG/M |
| WEIGHT | 0.708KG/12' |
| SECTION NO. | 9047 |

| SECTION NAME | 25X25 ANGLE (1X1) |
|--------------|-------------------|
| W.T. METER | 0.195KG/M |
| WEIGHT | 0.716KG/12' |
| SECTION NO. | 9048 |

SECTION DRAWING



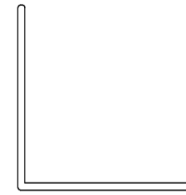
SCALE 1:1



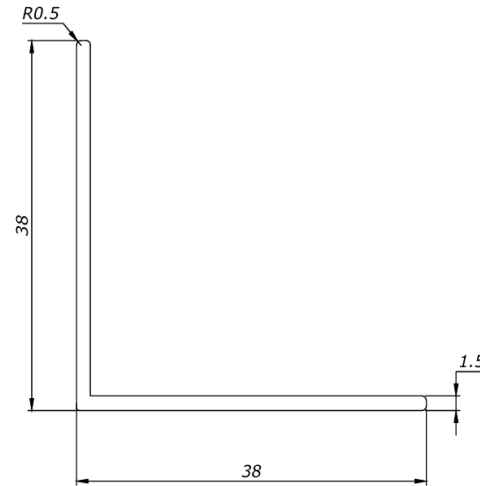
SCALE 2:1

UN SPECIFIED SHARP CORNERS 0.3MM

SECTION DRAWING



SCALE 1:1



SCALE 2:1

UN SPECIFIED SHARP CORNERS 0.3MM

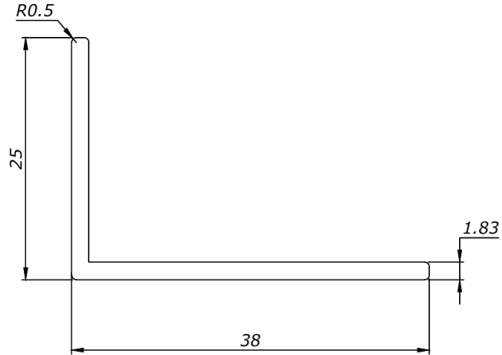
| SECTION NAME | 25X25 ANGLE (1X1) HEAVY |
|--------------|----------------------------|
| W.T. METER | 0.313KG/M |
| WEIGHT | 1.148KG/12' |
| SECTION NO. | 9049 |

| SECTION NAME | 38X38 ANGLE (1.5X1.5) |
|--------------|-----------------------|
| W.T. METER | 0.301KG/M |
| WEIGHT | 1.102KG/12' |
| SECTION NO. | 9050 |

SECTION DRAWING



SCALE 1:1



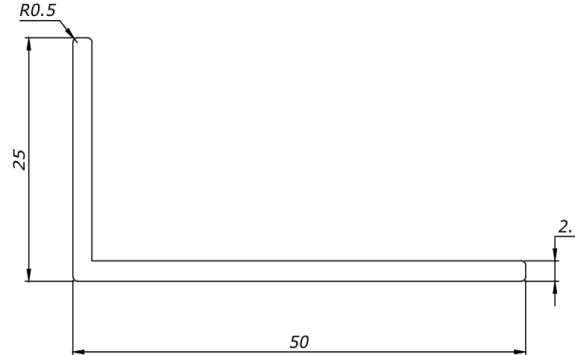
SCALE 2:1

UN SPECIFIED SHARP CORNERS 0.3MM

SECTION DRAWING



SCALE 1:1



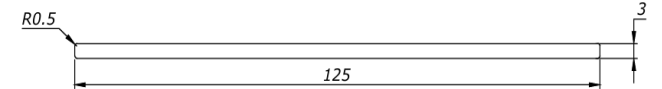
SCALE 2:1

UN SPECIFIED SHARP CORNERS 0.3MM

SECTION DRAWING



SCALE 1:1



SCALE 1:1

UN SPECIFIED SHARP CORNERS 0.3MM

| SECTION NAME | 1.5x1 ANGLE (38X19) |
|--------------|---------------------|
| W.T. METER | 0.301KG/M |
| WEIGHT | 1.102KG/12' |
| SECTION NO. | 9051 |

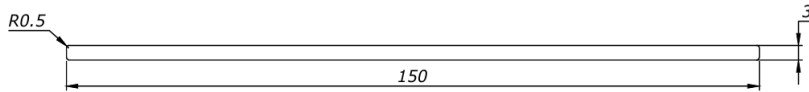
| SECTION NAME | 2X1 ANGLE(50X38) |
|--------------|------------------|
| W.T. METER | 0.412KG/M |
| WEIGHT | 1.510KG/12' |
| SECTION NO. | 9052 |

| SECTION NAME | FLAT BAR 125X3 |
|--------------|----------------|
| W.T. METER | 1.011/M |
| WEIGHT | 3.703KG/12' |
| SECTION NO. | 9053 |

SECTION DRAWING



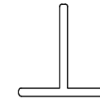
SCALE 1:1



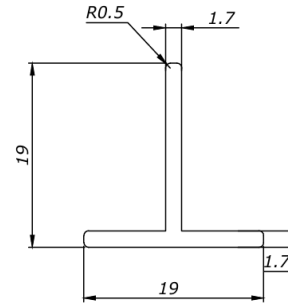
SCALE 1:1

UN SPECIFIED SHARP CORNERS 0.3MM

SECTION DRAWING



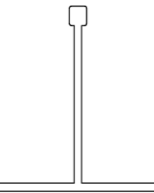
SCALE 1:1



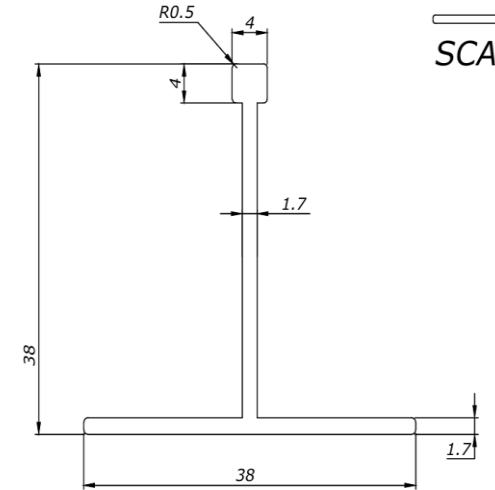
SCALE 2:1

UN SPECIFIED SHARP CORNERS 0.3MM

SECTION DRAWING



SCALE 1:1



SCALE 2:1

UN SPECIFIED SHARP CORNERS 0.3MM

| SECTION NAME | FLAT BAR 150X3 |
|--------------|----------------|
| W.T. METER | 1.215/M |
| WEIGHT | 4.446KG/12' |
| SECTION NO. | 9054 |

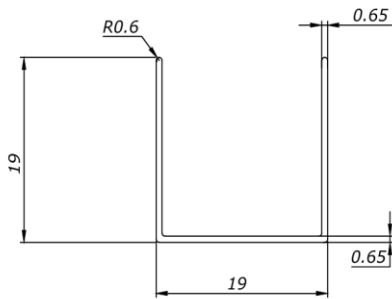
| SECTION NAME | PLAIN T 19X19 (3/4X3/4) |
|--------------|----------------------------|
| W.T. METER | 0.165/M |
| WEIGHT | 0.606KG/12' |
| SECTION NO. | 9055 |

| SECTION NAME | PLAIN T 38X38 (1.5X1.5) |
|--------------|----------------------------|
| W.T. METER | 0.364/M |
| WEIGHT | 1.335KG/12' |
| SECTION NO. | 9056 |

SECTION DRAWING



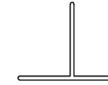
SCALE 1:1



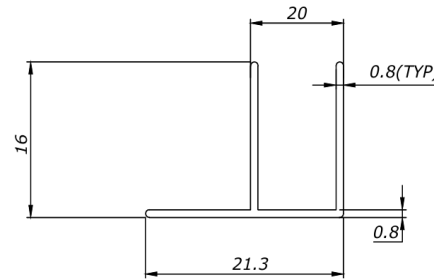
SCALE 1:1

UN SPECIFIED SHARP CORNERS 0.3MM

SECTION DRAWING



SCALE 1:1



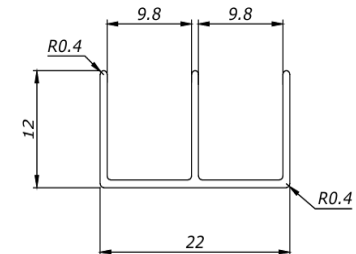
SCALE 2:1

UN SPECIFIED SHARP CORNERS 0.3MM

SECTION DRAWING



SCALE 1:1



SCALE 2:1

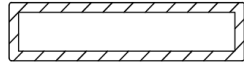
UN SPECIFIED SHARP CORNERS 0.3MM

| SECTION NAME | U CHANNEL 19X19 |
|--------------|-----------------|
| W.T. METER | 0.0975/M |
| WEIGHT | 0.357KG/12' |
| SECTION NO. | 9057 |

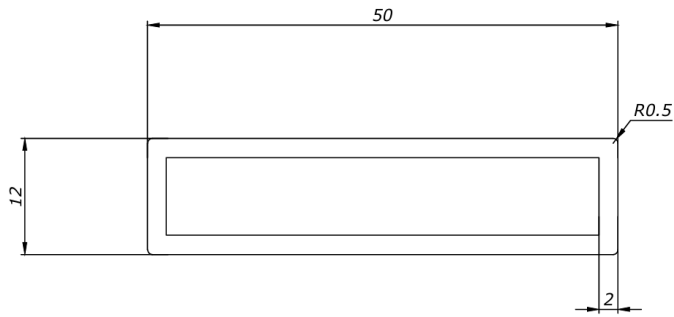
| SECTION NAME | F CHANNEL |
|--------------|-------------|
| W.T. METER | 0.111/M |
| WEIGHT | 0.406KG/12' |
| SECTION NO. | 9058 |

| SECTION NAME | E CHANNEL |
|--------------|-------------|
| W.T. METER | 0.111/M |
| WEIGHT | 0.406KG/12' |
| SECTION NO. | 9059 |

SECTION DRAWING



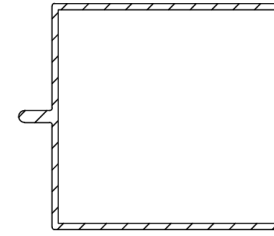
SCALE 1:1



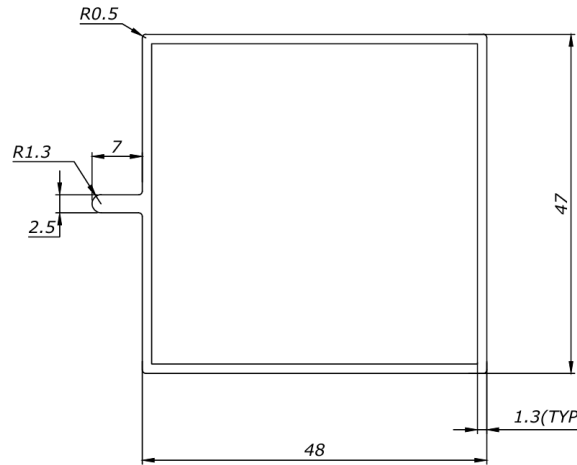
SCALE 1.5:1

UN SPECIFIED SHARP CORNERS 0.3MM

SECTION DRAWING



SCALE 1:1



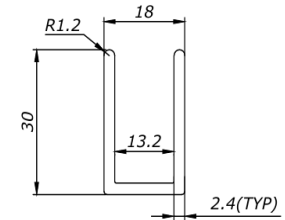
SCALE 2:1

UN SPECIFIED SHARP CORNERS 0.3MM

SECTION DRAWING



SCALE 1:1



SCALE 2:1

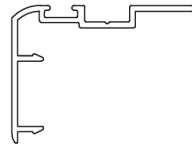
UN SPECIFIED SHARP CORNERS 0.3MM

| SECTION NAME | 50X12 RT(2X1/2) |
|--------------|-----------------|
| W.T. METER | 0.625KG/M |
| WEIGHT | 2.290KG/12' |
| SECTION NO. | 9060 |

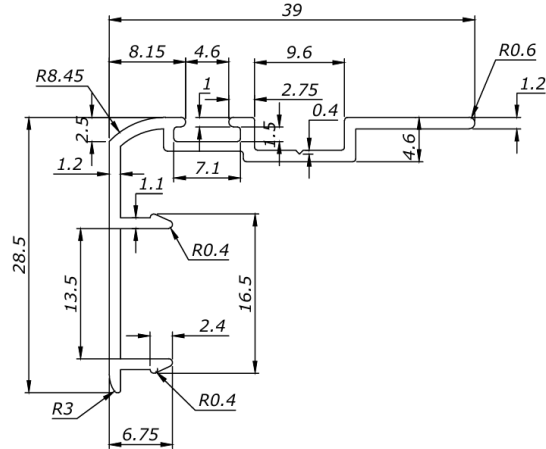
| SECTION NAME | CURTAINWAL |
|--------------|-------------|
| W.T. METER | 0.693KG/M |
| WEIGHT | 2.539KG/12' |
| SECTION NO. | 9061 |

| SECTION NAME | U CHANNEL 18X30 |
|--------------|-----------------|
| W.T. METER | 0.117KG/M |
| WEIGHT | 0.4306KG/12 |
| SECTION NO. | 9062 |

SECTION DRAWING



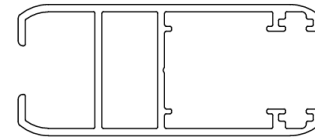
SCALE 1:1



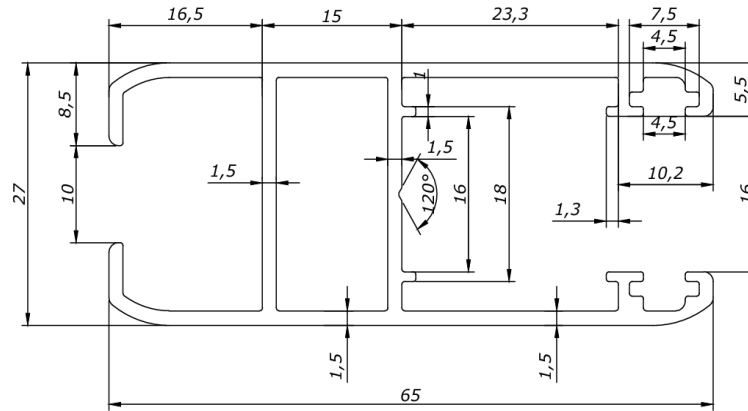
UN SPECIFIED SHARP CORNERS 0.3MM

| SECTION NAME | DOMAL INTERLOCK PATTI |
|--------------|-----------------------|
| W.T. METER | 0.274KG/M |
| WEIGHT | 1.005KG/12' |
| SECTION NO. | 9063 |

SECTION DRAWING



SCALE 1:1

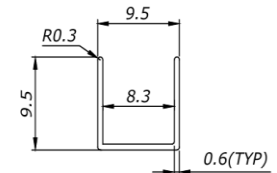


UN SPECIFIED SHARP CORNERS 0.3MM

| SECTION NAME | DOMAL SHUTTER HANDLE |
|--------------|----------------------|
| W.T. METER | 0.850KG/M |
| WEIGHT | 3.113KG/12' |
| SECTION NO. | 9064 |



SCALE 1:1

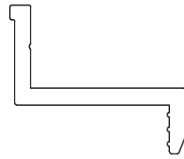


SCALE 2:1

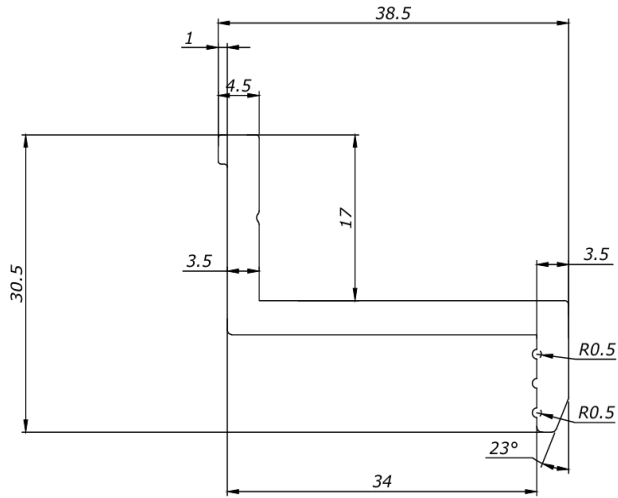
UN SPECIFIED SHARP CORNERS 0.3MM

| SECTION NAME | 9X8 UCHANNEL |
|--------------|--------------|
| W.T. METER | 0.043KG/M |
| WEIGHT | 0.160KG/12 |
| SECTION NO. | 9065 |

SECTION DRAWING



SCALE 1:1

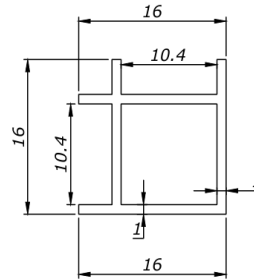


SCALE 2:1

SECTION DRAWING

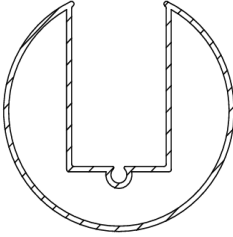


SCALE 1:1

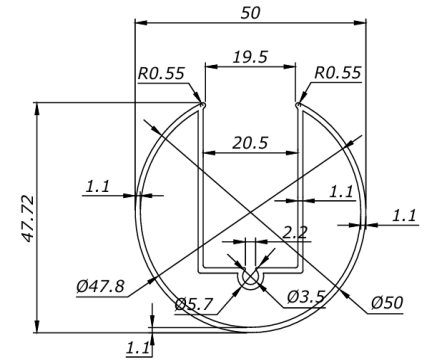


SCALE 2:1

SECTION DRAWING



SCALE 1:1



SCALE 2:1

UN SPECIFIED SHARP CORNERS 0.3MM

UN SPECIFIED SHARP CORNERS 0.3MM

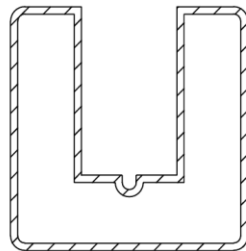
UN SPECIFIED SHARP CORNERS 0.3MM

| SECTION NAME | |
|--------------|-------------|
| W.T. METER | 0.612KG/M |
| WEIGHT | 2.241KG/12' |
| SECTION NO. | 9066 |

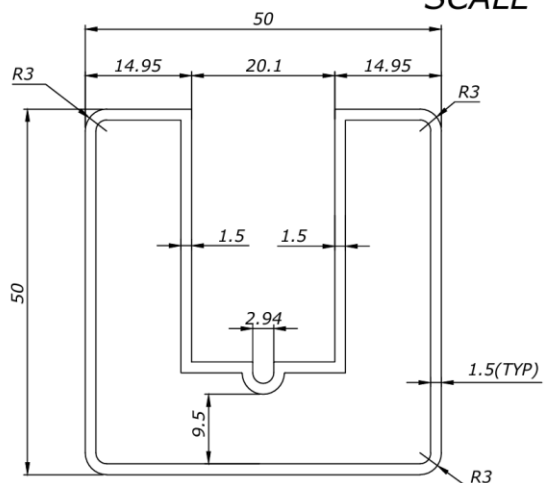
| SECTION NAME | SLIM PARTITION CORNER |
|--------------|-----------------------|
| W.T. METER | 0.162KG/M |
| WEIGHT | 0.592KG/12' |
| SECTION NO. | 9067 |

| SECTION NAME | 50MM ROUND RAILING TOP |
|--------------|------------------------|
| W.T. METER | 0.675KG/M |
| WEIGHT | 2.472KG/12' |
| SECTION NO. | 9068 |

SECTION DRAWING



SCALE 1:1



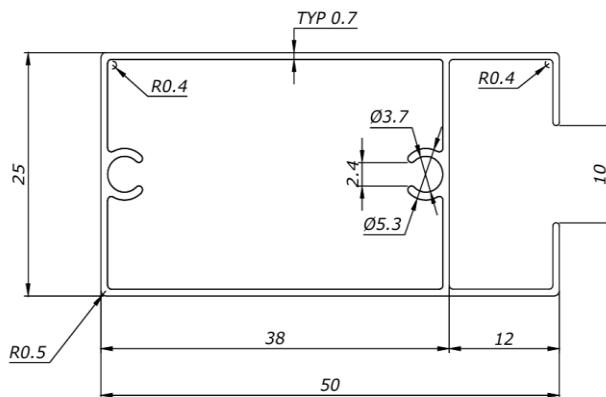
SCALE 2:1

UN SPECIFIED SHARP CORNERS 0.3MM

SECTION DRAWING

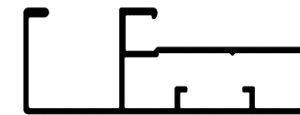


1:1

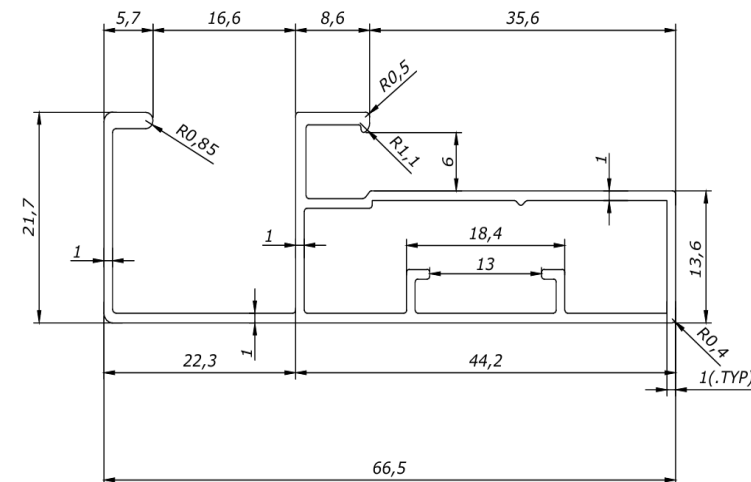


SCALE 2:1

UN SPECIFIED SHARP CORNERS 0.3MM



SCALE 1:1



KITCHEN HANDLE

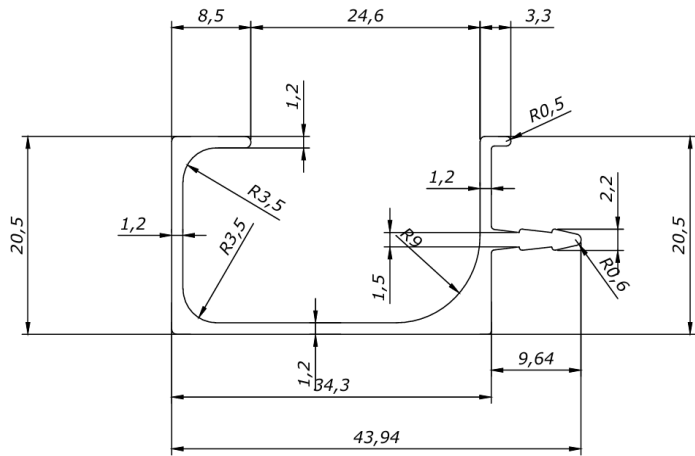
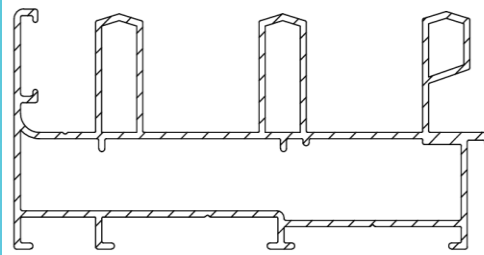
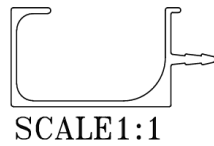
SCALE 2:1

UN SPECIFIED SHARP CORNERS 0.3MM

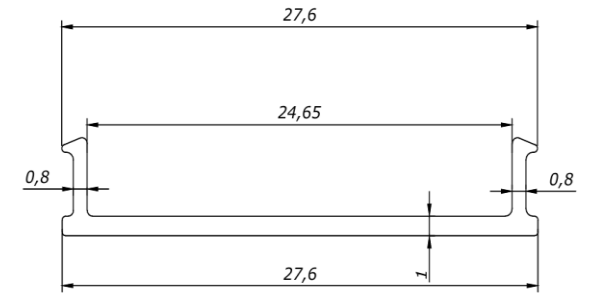
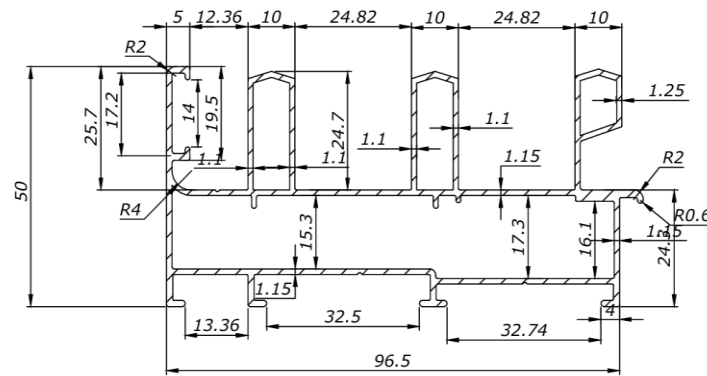
| SECTION NAME | 50MM SQUARE RAILING TOP |
|--------------|-------------------------|
| W.T. METER | 1.066KG/M |
| WEIGHT | 3.901KG/12' |
| SECTION NO. | 9069 |

| SECTION NAME | 2X1 HANDLE |
|--------------|-------------|
| W.T. METER | 0.340KG/M |
| WEIGHT | 1.245KG/12' |
| SECTION NO. | 9070 |

| SECTION NAME | Kitchen profile – 67mm handle |
|--------------|-------------------------------|
| W.T. METER | 0.526KG/M |
| WEIGHT | 1.928KG/12' |
| SECTION NO. | 9071 |



ORIGINAL



SCALE 4:1

SCALE 4:1

SCALE 4:1

UN SPECIFIED SHARP CORNERS 0.3MM

UN SPECIFIED SHARP CORNERS 0.3MM

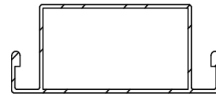
UN SPECIFIED SHARP CORNERS 0.3MM

| SECTION NAME | G PROFILE |
|--------------|-------------|
| W.T. METER | 0.371KG/M |
| WEIGHT | 1.360KG/12' |
| SECTION NO. | 9075 |

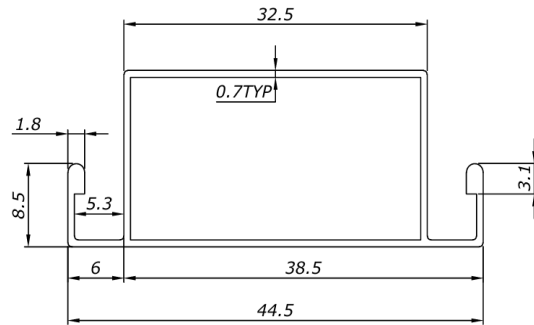
| SECTION NAME | DOMAL 3 TRACK WITH COLLAR |
|--------------|---------------------------|
| W.T. METER | 1.501KG/M |
| WEIGHT | 5.495KG/12' |
| SECTION NO. | 9076 |

| SECTION NAME | 73MM SLIDING TRACK BOTTOM COVER |
|--------------|---------------------------------|
| W.T. METER | 0.093KG/M |
| WEIGHT | 0.342KG/12' |
| SECTION NO. | 9077 |

SECTION DRAWING



SCALE 1:1



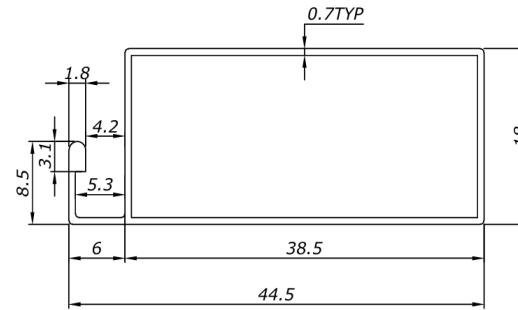
SCALE 2:1

UN SPECIFIED SHARP CORNERS 0.3MM

SECTION DRAWING



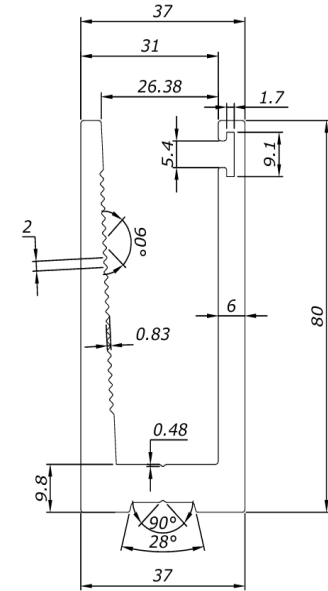
SCALE 1:1



SCALE 2:1

UN SPECIFIED SHARP CORNERS 0.3MM

SECTION DRAWING



SCALE 1:1

UN SPECIFIED SHARP CORNERS 0.3MM

| SECTION NAME | MESH SECTION MIDDLE 45MM |
|--------------|--------------------------|
| W.T. METER | 0.254KG/M |
| WEIGHT | 0.930KG/12' |
| SECTION NO. | 9091 |

| SECTION NAME | MESH SECTION 45MM |
|--------------|-------------------|
| W.T. METER | 0.242KG/M |
| WEIGHT | 0.887KG/12' |
| SECTION NO. | 9092 |

| SECTION NAME | 80MM RAILING BOTTOM |
|--------------|---------------------|
| W.T. METER | 3.098KG/M |
| WEIGHT | 11.340KG/12' |
| SECTION NO. | 9093 |