



User manual

ArrowMan

IDH100c

Before installation and application, please read this manual carefully!
Please keep this manual for future reference!

CONTENTS

Important Safety Notice	1
Parts Identification	3
Operation Instructions	5
1. Position Your Dehumidifier	5
2. Position Your Dehumidifier	5
3. Set Up the Drainage	6
4. Plug in Electrical Cord	6
5. Understand the Control Panel	7
6. General Operation Instructions	8
7. Timer Setting.....	9
8. Smart Functions.....	9
9. Ceiling installation instructions.....	10
Maintenance	11
1. Cleaning the Dehumidifier	11
2. Cleaning the Air Filter	11
Trouble Shooting Guide	12

Thank you for purchasing **our** dehumidifier. We suggest that you properly keep this manual for future reference. This manual introduces many advantages and special features of this unique product. Before using the product, please read this manual carefully to ensure that the product performs its best function. Our company is committed to developing professional and comprehensive indoor environmental control technologies, and produces and sells dehumidifiers, humidifiers, and other products. It combines the most advanced technological development and provides world-class products.

I. Important Safety Notice

- Before installation, use and maintenance operations, please carefully read the safety instructions in this manual.
- Properly dispose of the packaging materials of the product promptly. Keep it away from infants and children to avoid suffocation accidents.
- Before connecting the power supply, ensure that the voltage and frequency of the power supply are consistent with those required by the machine.
- This product is only for the specified purposes. Any damage caused by improper use is not the responsibility of our company.
- This product is very safe, but like other electrical appliances, it needs to be used carefully.
- When using this product for the first time, please place it upright for two hours before turning it on.
- Do not insert fingers or rods into the air intake and exhaust grille.

Note: This product cannot be used in an environment below 5 degrees Celsius.

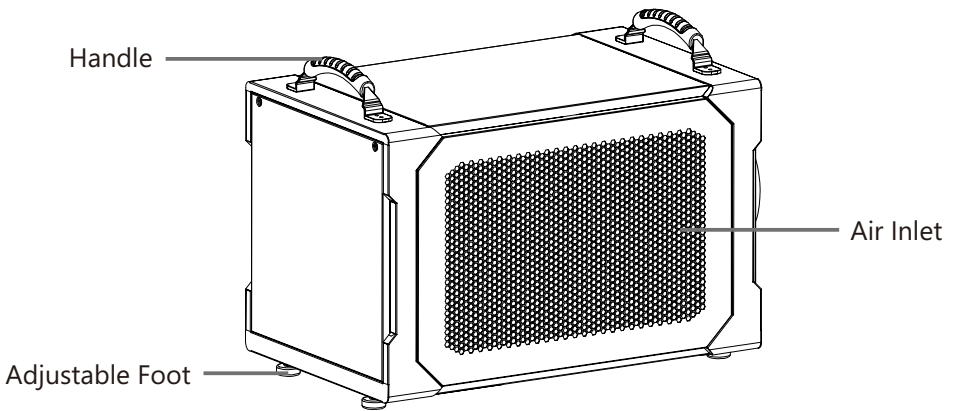
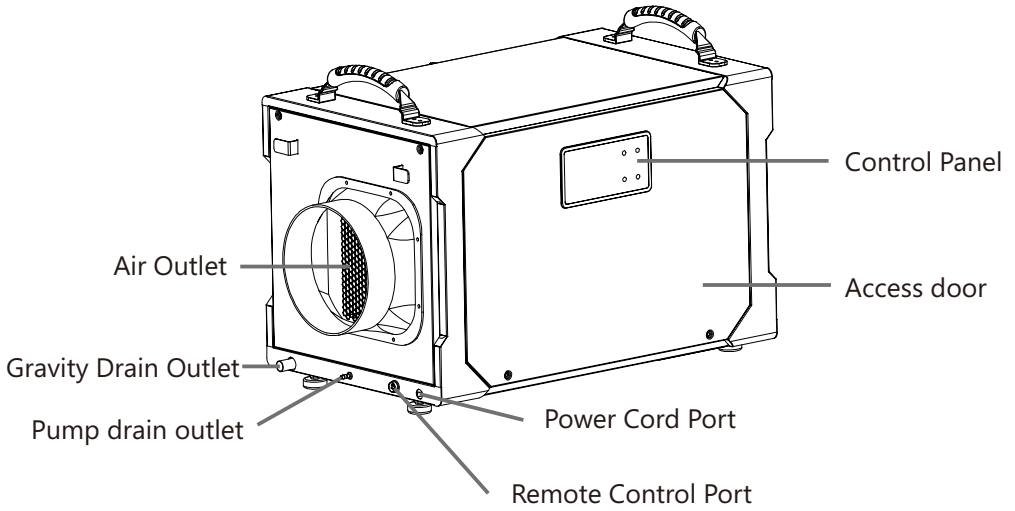
Special note: The display not working does not mean the power has been disconnected!

Announcement

- The power wiring of the machine must follow the national wiring rules, and the power line should be reliably connected to the external grounding wire.
- The fixed wiring for the machine connection must be equipped with a full-pole disconnect device (air switch) with at least 3mm contact opening distance.
- The model and specification of the fuse is 5A. The distance that the machine should maintain from surrounding objects when in use: 1 meter.
- Before using this product, please first confirm whether the power supply is single-phase **220V/60Hz**. The installation and use of this product must comply with the regulations or requirements of the local laws or regulations of the user.
- If there are any questions about the electrical installation of this product, it is necessary to understand clearly or consult professionals.
- When not in use, unplug the plug. Do not pull out the plug by pulling the wire; do not operate this product when your hands are wet.
- It should be placed in a place where children cannot access.
- When cleaning, do not immerse the product in water or directly spray water onto the product.

- Before cleaning or maintaining this product, the plug must be unplugged.
- Do not use extension cords to connect the power supply; it is necessary to find professionals for installation.
- To avoid accidents, damaged power lines should be replaced by the manufacturer, agent or qualified professionals.

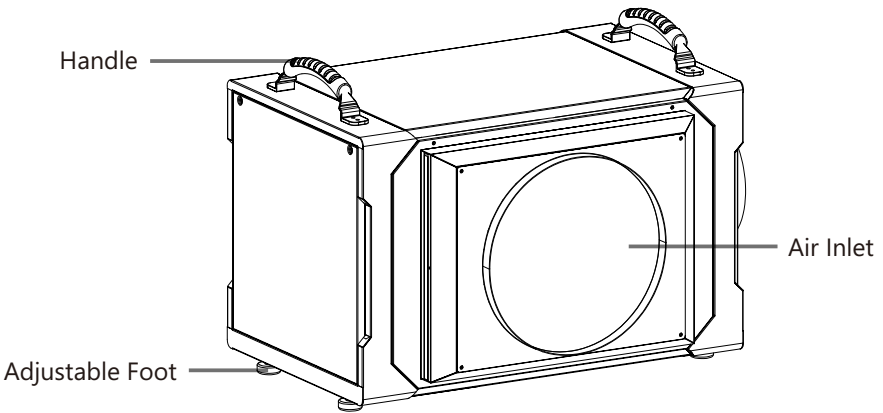
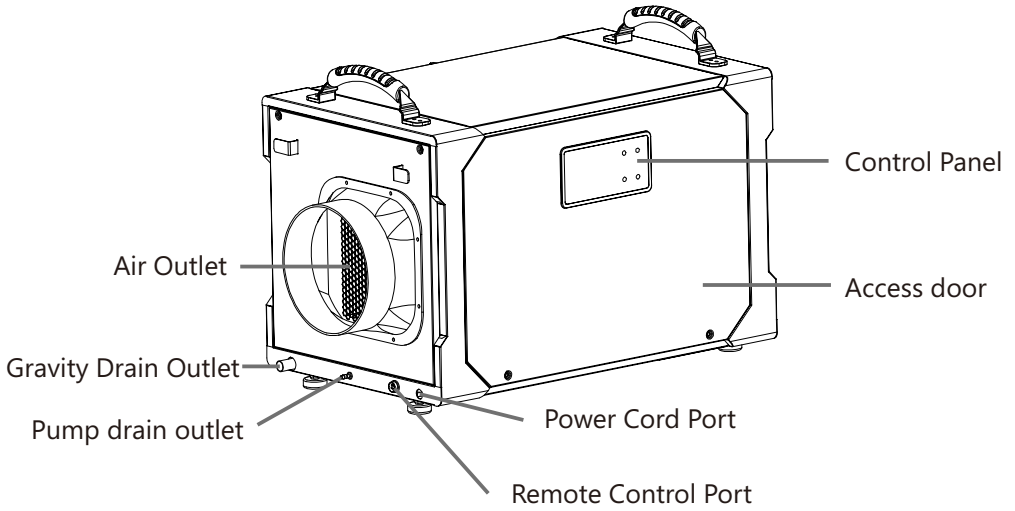
PARTS IDENTIFICATION



Machine Appearance 1

Note: Do not obstruct the air inlet and outlet.

PARTS IDENTIFICATION



Machine Appearance 2

Note: Do not obstruct the air inlet and outlet.

OPERATION INSTRUCTIONS

1. Position Your Dehumidifier

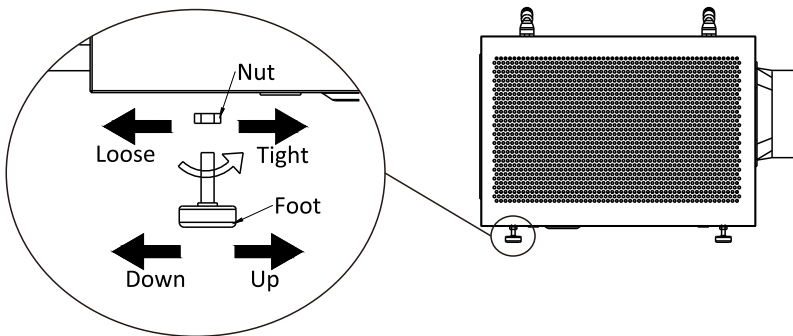
- Install the dehumidifier horizontally to minimize vibration and or noise.
- You can adjust the feet to level the dehumidifier.

To adjust the feet

- Turn the nut in a clockwise direction to get the nut loosen;
- Turn the foot in a clockwise direction to get the foot down or turn the foot in a counterclockwise direction to get the foot up;
- Turn the nut in a counterclockwise direction to fix the foot.

NOTE:

- For best results, operate your dehumidifiers in an enclosed area.
- Close all doors and windows that open to the outside to maximize water removal efficiency.
- Place your dehumidifier away from obstructions, and keep it away from anything that could block airflow into and out of the unit.



2. Position Your Dehumidifier

For optimal outcomes, use your dehumidifier in a confined space. Shut all entryways and windows. Position it clear of obstructions and avoid anything that could obstruct airflow in or out of the dehumidifier.

Note: Place the dehumidifier on a flat surface to minimize vibration or noise.

3. Set Up the Drainage

(1) Drain by Internal Pump

The dehumidifier has an internal pump that helps to drain the condensation water freely. When using the pump feature,

- The Gravity Drain Outlet needs to be sealed by the included stopper;
- Connect the drain hose to the Pump Drain Outlet;
- Place the unattached end of the hose in a sink, bucket, pump sump, or out of a window anywhere that water can drain out safely. (Ensure there are no kinks or other obstructions that will stop the water to flow.)

NOTE:

- If you use a bucket or other container for water collection, check it regularly to prevent overflows.
- The drain hose for the water pump can drain vertically up to 16ft. More than 16ft may cause water back up to the pump resulting in leakage.
- If the drain hose is too long, water may not drain completely, which can lead to stagnant water and mildew build up inside the hose.
- Before moving the dehumidifier, please remove the stopper from the Gravity Drain Outlet to completely drain the condensation in the internal water tray to avoid water leakage.

(2) Drain by Gravity

The collected condensation water can be drained by gravity. When using gravity to drain.

- Connect the drain hose to the Gravity Drain Outlet;
- Place the unattached end of the hose to a suitable drainage facility. The drainage facility should be lower than the drain outlet of the dehumidifier. (Ensure there are no kinks or other obstructions that will stop the water to flow.)

4. Plug in Electrical Cord

IMPORTANT

Please let the dehumidifier sit outside the box for **24 hours** before initial plugging in.

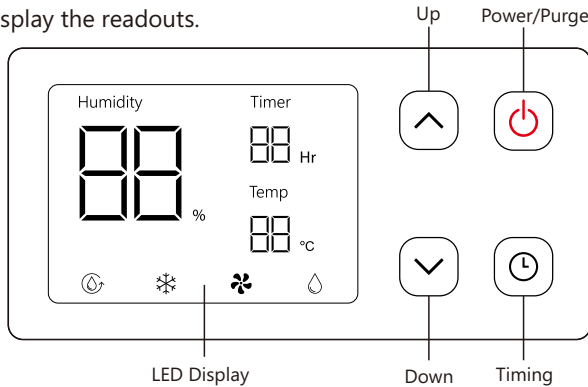
To properly operate the dehumidifier, please plug it into a GFCI-protected 220-volt outlet with a rating of at least 16 amps. Uncoil the power cord and securely connect it to an appropriate outlet.




Note: When the dehumidifier is first plugged into AC power, the control panel display will light up for a second, which is part of the dehumidifier's self-diagnosis procedure and no action is required. This indicates that the dehumidifier is functioning correctly and ready to operate effectively. You will still need to press the POWER button to turn the dehumidifier on.


If not been operated for over 50 seconds, the control panel will become dim until pressed buttons again.


5. Understand the Control Panel


The control panel of the dehumidifier features a user-friendly interface with 4 buttons and an LED screen. Press the POWER Button to turn the dehumidifier on. After turning on the dehumidifier, the LED screen will display the readouts.




 is humidity percentage value. If no operations on the control panel, this number is the humidity readout of the inlet air the dehumidifier detects which is similar to the current room humidity level. When you are pressing the  or  button to set the target humidity percentage value, this digital number will turn to display the previous setting value and keep blinking.

 is the temperature readout of the inlet air the dehumidifier detects which is similar to the current room temperature.

 illuminates when the timer function is enabled and disappears when the timer function is disabled.


 **Fan Icon:** It illuminates when the fan is running and disappears when the compressor stops running.

 **Water Droplet Icon:** It illuminates when the compressor is running and disappears when the compressor stops running.


Note:


In the following cases, it is normal if the water droplet icon disappears which means the compressor stops or does not kick in.

- The humidity set-point is NOT at least 5% lower than the room humidity readout value (in this case, please double-check your setting);
- The room humidity level has reached the set-point, so the dehumidifier automatically stops running;
- The dehumidifier was just turned on and may take a few seconds for the compressor to kick in;
- The dehumidifier was restarted in a brief moment, the compressor is under delay protection status.


 **Defrosting icon:** It illuminates when the dehumidifier detects frost on the interior. During defrosting, the fan operates while the compressor does not, and the defrost icon flashes until the frost melts. The dehumidifier will automatically begin to dehumidify and the “Defrost” icon will disappear once the defrosting process is complete.

Note: Frequent defrosting indicates that the room temperature is too low. It is recommended to add heat when the room temperature is lower than 15°C for proper drying.

 **CONTINUOUS MODE:** This icon illuminates when the humidity set point is 10%, which means the dehumidifier will dehumidifying continuously.

 **Power/Purge:** Press once to turn the power on and off. Press and hold the Power button for 5 seconds to activate the Purge function (Purge function means to manually drain condensate from the pump).

 **Up and**  **Down Buttons:** Press to increase or decrease the set-point of humidity level.



 **Timer Button:** Press to check the settings, and set AUTO on/off timer.

6. General Operation Instructions

(1) Turn on the dehumidifier

Press the Power Button to turn on the dehumidifier.

(2) Set a desired humidity percentage

First of all, read the current room humidity readout on the left of the display and remember that value. Then, press the  or  down button to adjust the humidity set-point in increments of 1%. The set humidity value needs to be at least 5% lower than the current room humidity readout value.

Note: The humidity set-point is between 10% and 90%. A humidity setting between 40% and 60% is recommended for optimal comfort. Last, after selecting your target value, wait for 5 seconds for the setting to register automatically. This will ensure that your desired humidity level is set and maintained. Then, the dehumidifier will automatically stop and restart to maintain the room humidity level within a range of $\pm 3\%$ of the set point. For instance, if the set humidity is 50%, the dehumidifier automatically stops when the room humidity reaches 47% and then automatically restarts when the room humidity rises back to 53% or higher.

(3) Turn the dehumidifier off

Press the Power Button to turn off the dehumidifier.



Note: To protect the compressor, the fan will continue to operate for 30 seconds after the dehumidifier shut off. Use the power button to stop the dehumidifier rather than forcibly by disconnecting the power cord.

7. Timer Setting


It enables you to either delay the auto-on or auto-off function of the dehumidifier from 1 to 24 hours.

- Set AUTO-ON: When the dehumidifier is off, press the Timer button to set a desired time it begins to work.
- Set the dehumidifier AUTO-OFF: When the dehumidifier is on, press the Timer button to set a desired time it shuts off.

Set the TIMER by the Below Steps

1. Press the Timer Button and the Timer icon and value  lights up and flashes.
2. Adjust the timer setting by pressing the Timer button repeatedly to change the delay timer at 1-hour increments, up to 24 hours.
3. After selecting the target time period, just wait for about 5 seconds to let the setting register automatically.
4. The digital readout will count down the remaining time until the dehumidifier either starts or stops.
5. To disable the timer function, manually turn the dehumidifier on/off, or set the timer to .

NOTE:

- Before entering the AUTO ON TIMER setting, ensure that power is being supplied to the dehumidifier.
- For the AUTO ON setting, please turn on the dehumidifier to select a desired humidity level. Otherwise, it will be the same as the previous setting.
- Set AUTO ON timer only when the dehumidifier is off or set AUTO OFF timer when the dehumidifier is on, but not be able to set both AUTO ON and AUTO OFF timer at the same time.
- The AUTO ON/OFF function won't be cycling.
- The TIMER function will be disabled when the dehumidifier was powered on/off manually.
- Set the timer as , the timer function will not be activated.

8. Smart Functions

(1) 3 Minutes Compressor Protection Mechanism

It prevents the dehumidifier from starting immediately after a complete cycle to avoid any potential damage. The compressor will start automatically after a 3-minute delay. During this time, the Fan icon is illuminating continuously on the LED screen and until the compressor kicks in, the water droplets icon illuminates. That's to say, if the dehumidifier was turned off and then restarted immediately, the compressor will not kick in until 3 minutes later.

(2) Auto Defrost

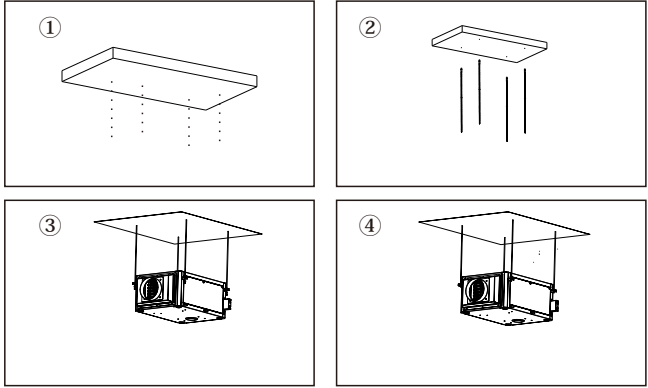
The compressor cycles off when frost builds up on the evaporator coils and the fan will continue to run until the frost disappears. Meanwhile, the DEFROST icon will light up on the LED screen during the defrosting process.

(3) Auto-Restart

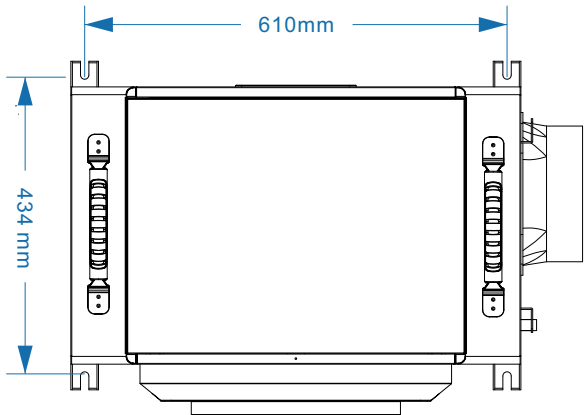
If the dehumidifier shuts off unexpectedly due to power outage, the dehumidifier will restart with the previous function settings automatically when the power resumes.

9.

Installation instructions for the equipment are as shown in the following figure



1. Drill four positioning holes in the ceiling to fix the metal wire rods.
2. Fix the top of the metal wire rod to the positioning hole on the ceiling.
3. Then connect the device to the metal pole and tighten it with a nut to ensure it is securely fastened.
4. To ensure optimal performance and the safety of the equipment, it is necessary to check the levelness and verticality of the equipment.



MAINTENANCE

To avoid possible electric shock, ensure to turn the dehumidifier off and disconnect the plug from the power source before performing any cleaning or maintenance.

1. Cleaning the Dehumidifier

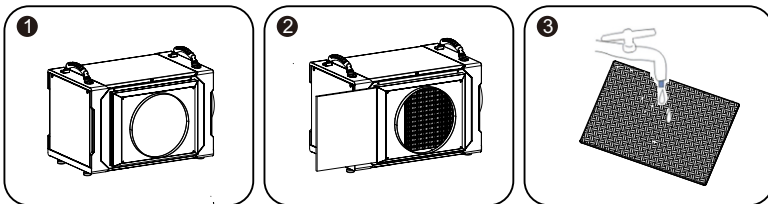
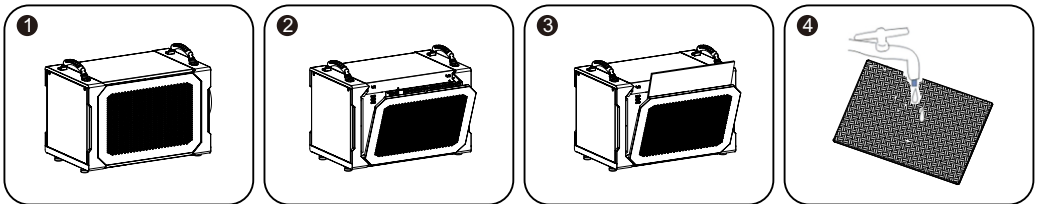
Clean the dehumidifier housing with a soft damp cloth. Do not submerge or place water on the dehumidifier or control panel. Water may damage the electronic components of the dehumidifier. Do not use chemical solvents such as benzene, alcohol, gasoline or other heavy-duty cleaners. The surface may become damaged or deformed.

2. Cleaning the Air Filter

The working performance of the dehumidifier will be greatly reduced if the filter becomes blocked. The air filter should be cleaned approximately every 2 weeks and may require more frequent cleaning if there is significant dander or fur in the air. The air filter is located behind the inlet grill.

Follow the steps below to clean the filter :

- Unscrew the hand screw on the top of the inlet grill, open the inlet grill and take the filter out.
- Use a vacuum cleaner with a soft brush attachment to remove any large debris or dust build-up from the filter.
- Wash the filter in lukewarm, soapy water, below 40°C , or use a neutral cleaning agent.
- Rinse the filter with clean water and dry thoroughly.
- Re-install the filter.



NOTE: DO NOT operate the dehumidifier without a filter because dirt and lint will clog it, hence reducing performance.

Trouble Shooting Guide

Trouble shooting Chart

Below chart will help you solve common problems may occur.

Problem	Possible Cause	Solution
Dehumidifier does not operate	No power to dehumidifier	Plug it into a working outlet
	Not turned on	Turn the dehumidifier on
	Has not set it properly	Make sure the set humidity level is at 3% lower than the inlet humidity reading
	Error code displays	Contact customer service
Dehumidifier collects little water	Too low humidity level	Try again until the humidity level exceeds 40%
	Insufficient working time	Allow more working time
	Filter is blocked	Clean filter
	Air Inlet or Outlet is blocked	Clear the obstructions
	Low ambient temperature	Heat up the room
	Condensate hose is blocked	Check hose for restrictions
dehumidifier operating, but room not dry	Doors and windows are open	Seal room from external areas
Abnormal Noise	The dehumidifier has not been placed properly	Place the dehumidifier in a horizontal position
	Filter is blocked	Clean filter

Problem	Possible Cause	Solution
Humidity reading remains at 10RH%, (far from the actual room humidity)	Humidity sensor failure	Set the target humidity percentage value at 10RH%, the dehumidifier works normally, which means this failure does not affect the function of this dehumidifier.
		Repair and replace the humidity sensor.
Humidity reading remains at "99%RH" (far from the actual room humidity)	Water on the surface of the humidity sensor	Please let the dehumidifier work for a period of time, the humidity reading will get normal after the water on the surface of the humidity sensor is evaporated.
	Humidity sensor failure	<p>The dehumidifier works normally, which means this problem does not affect the function of this dehumidifier.</p> <p>Repair and replace the humidity sensor.</p>

Note: It is normal that the dehumidifier pulls warm air out.

