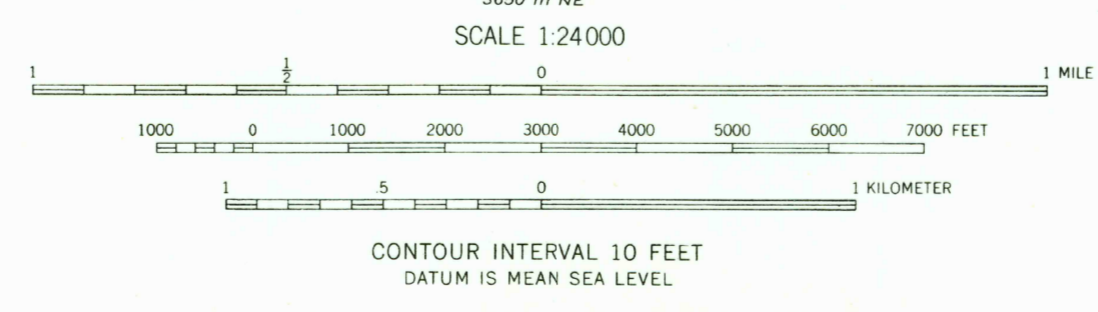
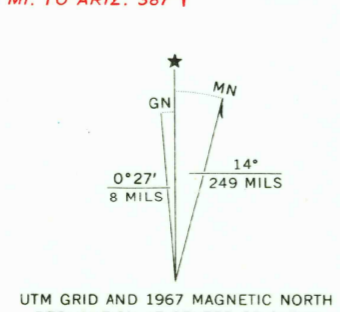


Mapped by the Army Map Service
Published for civil use by the Geological Survey
Control by USGS, USC&GS and USCE
Topography from aerial photographs by photogrammetric methods
Aerial photographs taken 1951. Field check 1951-1952
Polyconic projection. 1927 North American datum
10,000-foot grid based on Arizona coordinate system, central zone
1000-meter Universal Transverse Mercator grid ticks,
zone 12, shown in blue
Red tint indicates areas in which only
landmark buildings are shown
Data shown in purple compiled by the Geological Survey from
aerial photographs taken 1967. This information not field checked
Purple tint indicates extension of urban areas



USGS
Historical File
Topographic Division

ROAD CLASSIFICATION

Heavy-duty	Light-duty
Medium-duty	Unimproved dirt
State Route	



U.S.G.S.
FILE COPY
TOPOGRAPHIC DIVISION

CHANDLER, ARIZ.
SE/4 MESA 15' QUADRANGLE
N3315-W11445/7.5
1952
PHOTOREVISED 1967
AMS 3650 IV SE-SERIES V896

3105
OCT 2 1968