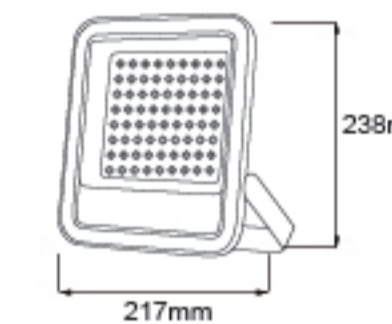
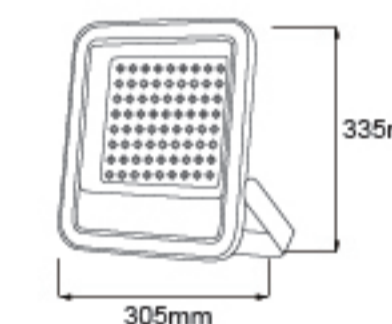


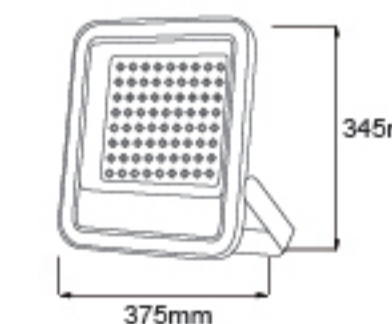
Model No. FL-AO-SMD-WH(NW)-50W	
<b>Power:</b>	50W
<b>Product Size:</b>	165*H180mm
<b>CRI:</b>	≥90Ra
<b>Lm/w:</b>	102
<b>Beam Angel:</b>	90°
<b>Color:</b>	3000K/4000K/6500K
<b>Voltage:</b>	220-240V ~50/60Hz
<b>Protection Level:</b>	IP65



Model No. FL-AO-SMD-WH(NW)-100W	
<b>Power:</b>	100W
<b>Product Size:</b>	217*H238mm
<b>CRI:</b>	≥90Ra
<b>Lm/w:</b>	102
<b>Beam Angel:</b>	90°
<b>Color:</b>	3000K/4000K/6500K
<b>Voltage:</b>	220-240V~ 50/60Hz
<b>Protection Level:</b>	IP65



Model No. FL-AO-SMD-WH(NW)-200W	
<b>Power:</b>	200W
<b>Product Size:</b>	305*H335mm
<b>CRI:</b>	≥90Ra
<b>Lm/w:</b>	102
<b>Beam Angel:</b>	90°
<b>Color:</b>	3000K/4000K/6500K
<b>Voltage:</b>	220-240V~ 50/60Hz
<b>Protection Level:</b>	IP65



Model No. FL-AO-SMD-WH(NW)-300W	
<b>Power:</b>	300W
<b>Product Size:</b>	378*H345mm
<b>CRI:</b>	≥90Ra
<b>Lm/w:</b>	102
<b>Beam Angel:</b>	90°
<b>Color:</b>	3000K/4000K/6500K
<b>Voltage:</b>	220-240V~ 50/60Hz
<b>Protection Level:</b>	IP65

### Product Features

- IECEE Certification
- CE Certification
- UGR <19
- HIGH CR Ra>80
- Smart Dimmable
- High Efficiency
- Anti-glare Cut Off Angle >30°
- Different Sizes
- Eye Protection Without Stroboscopic
- High Quality LED Chip
- Visual Comfort
- Customizable

