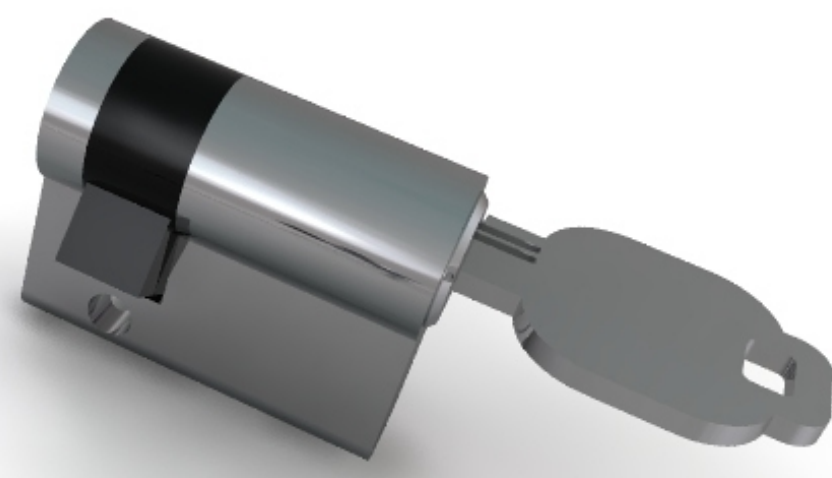
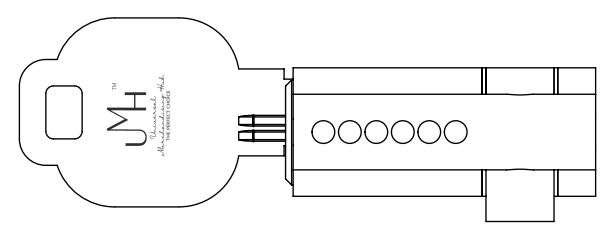
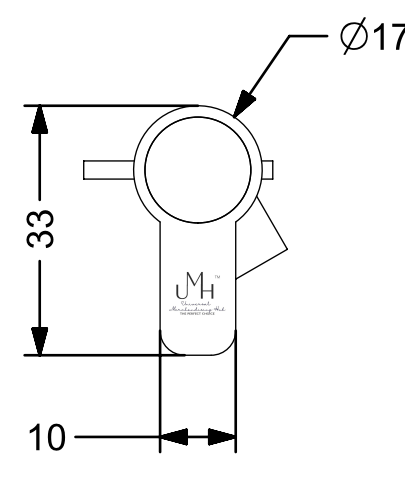
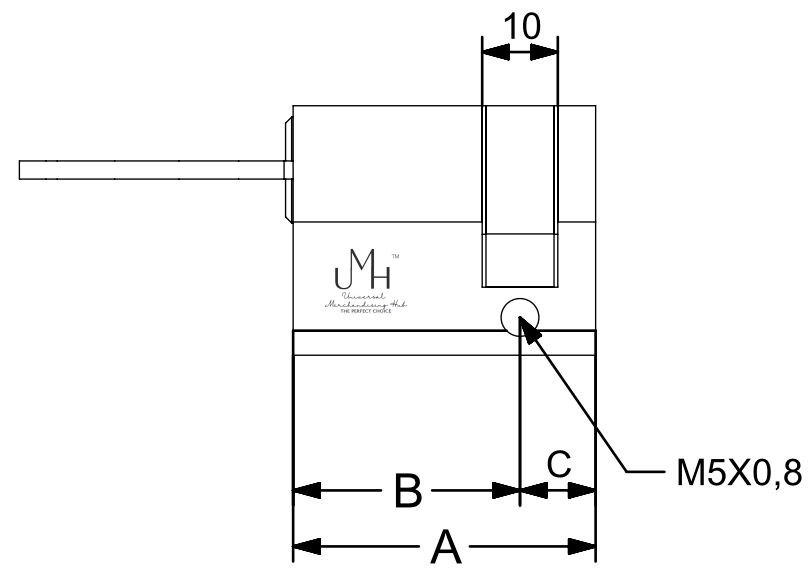
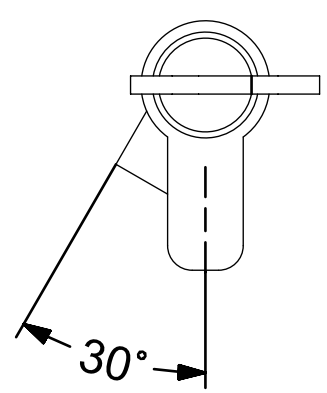
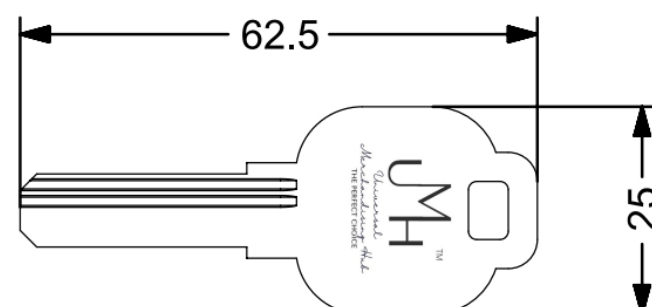


HALF CYLINDER WITH ONE SIDE KEY



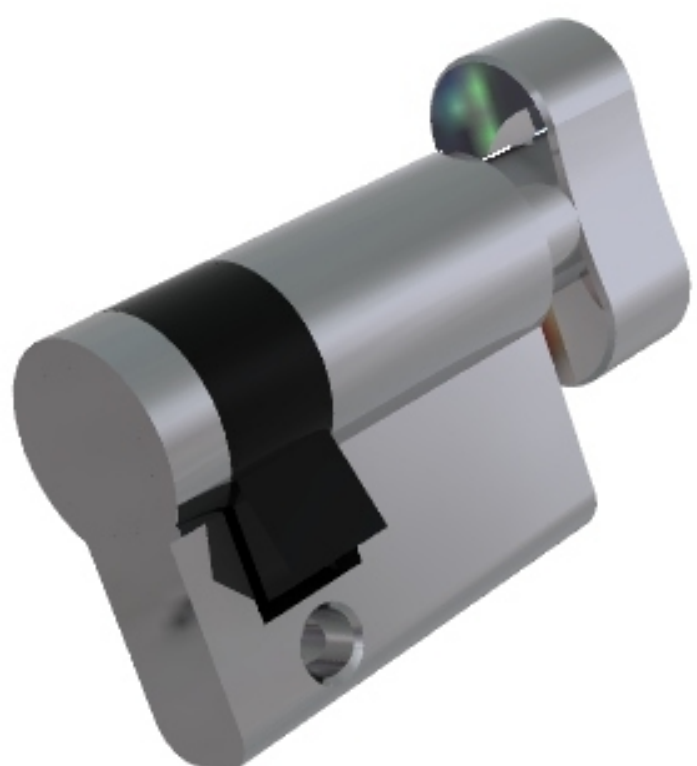
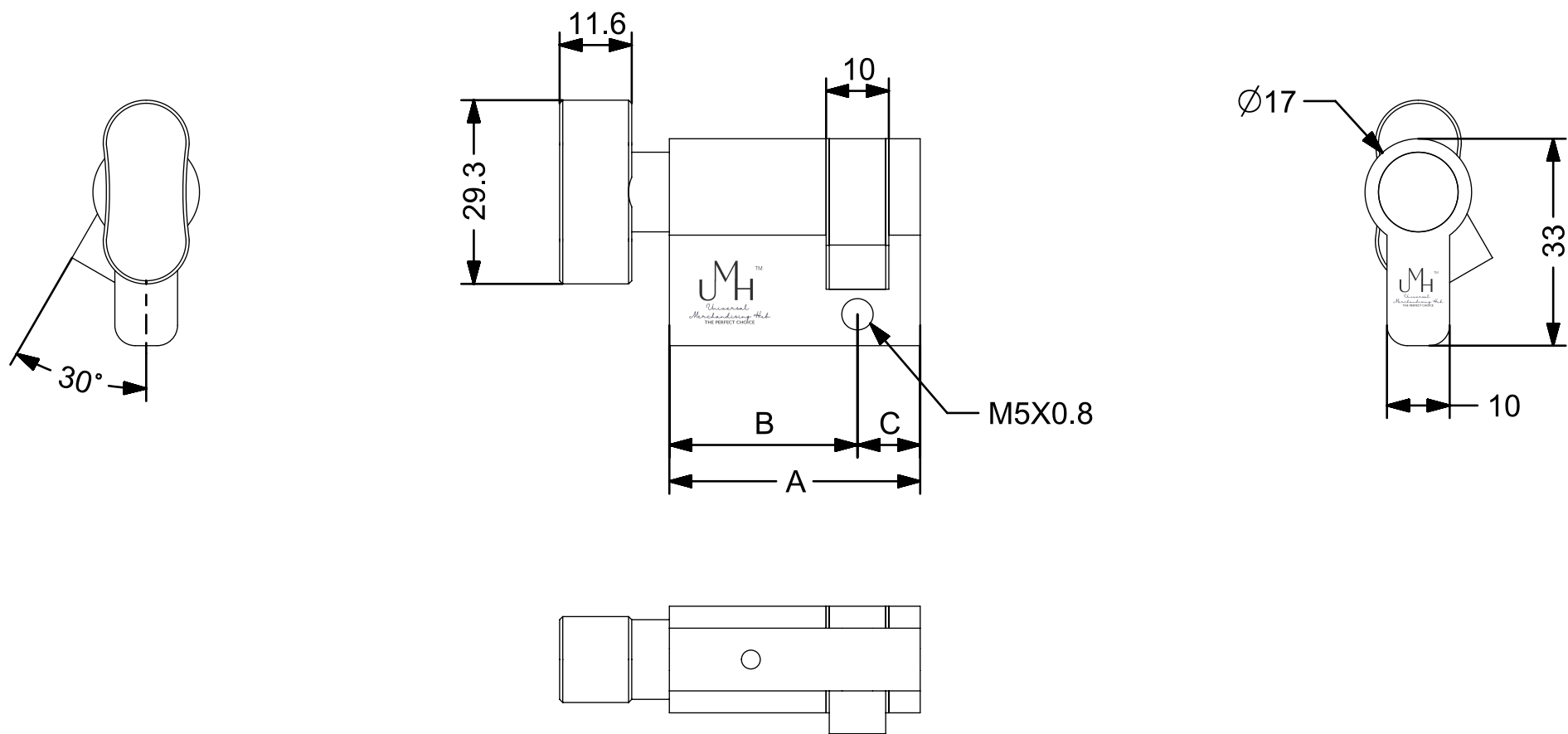
"An ISO 9001:2015 Certified Co.  
An ISO 14001:2015 Certified Co."

- \* All Sizes in MM
- \* Brass Euro Cylinder Half with Brass Keys
- \* Half Cylinder Lock one Side Key
- \* More Key designs Available
- \* Heavy Ultra Computerized Keys - 3 Nos.
- \* Six Pins
- \* Finish - Brushed Satin Nickel ( Also Av.Gold(G)/Black(BL)/Nickel Chrome(NiCr) )
- \* One CSK Philip Head Screw M5\*0.8

ITEM CODE	DESCRIPTION	A	B	C
UM40HLFKU-SN	40 MM HLF- KEY	40	30	10
UM45HLFKU-SN	45 MM HLF - KEY	45	35	10
UM50HLFKU-SN	50 MM HLF - KEY	50	40	10
UM55HLFKU - SN	55 MM HLF - KEY	55	45	10
UM60HLFKU - SN	60 MM HLF - KEY	60	50	10
UM65HLFKU - SN	65 MM HLF - KEY	65	55	15



# HALF CYLINDER KNOB



"An ISO 9001:2015 Certified Co.  
An ISO 14001:2015 Certified Co."

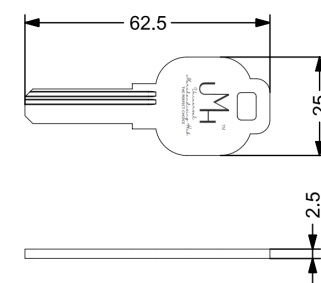
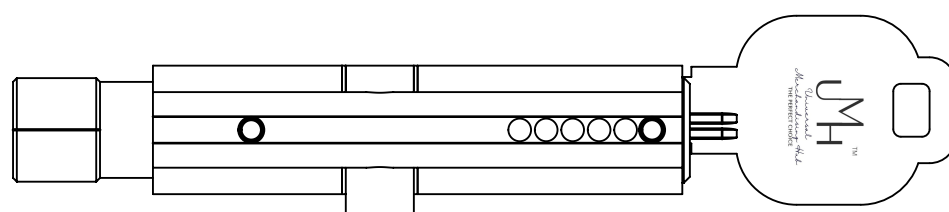
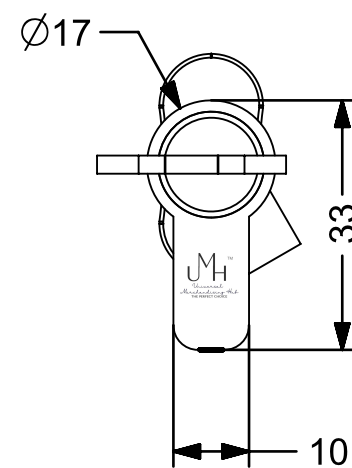
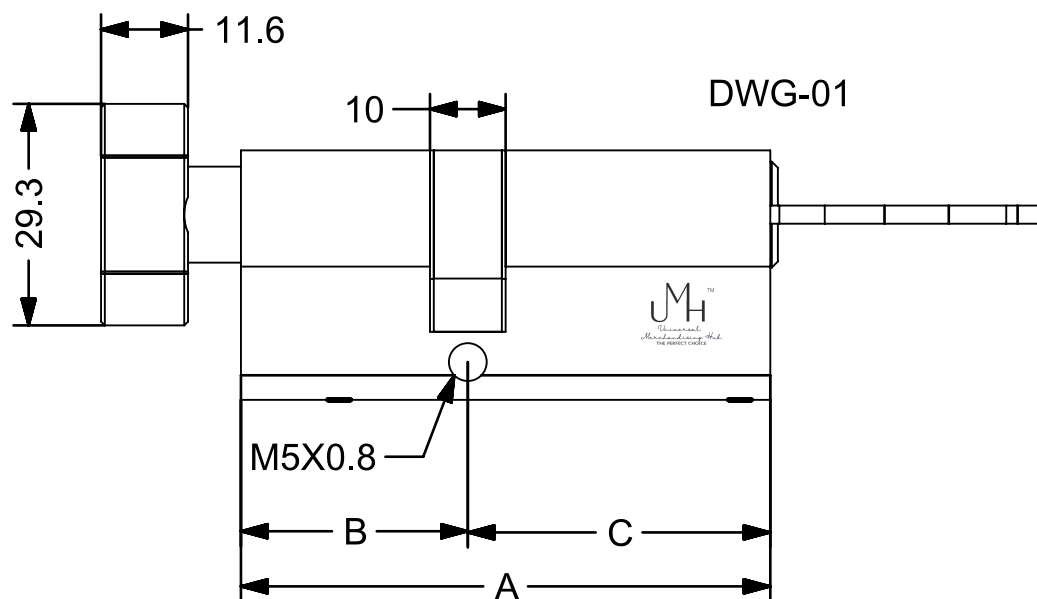
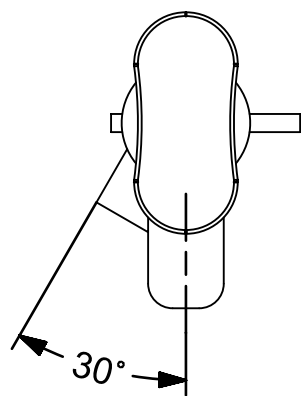
- \* All Sizes in MM
- \* Brass Euro Cylinder Half Thumb Turn (TT) - Knob
- \* Half Cylinder Lock Thumb Turn (TT)
- \* More Knob designs Available

- \* Finish - Brushed Satin Nickel-SN ( Also Av.Gold(G)/Black(BL)/Nickel Chrome(NiCr) )
- \* One CSK Philip Head Screw M5\*0.8

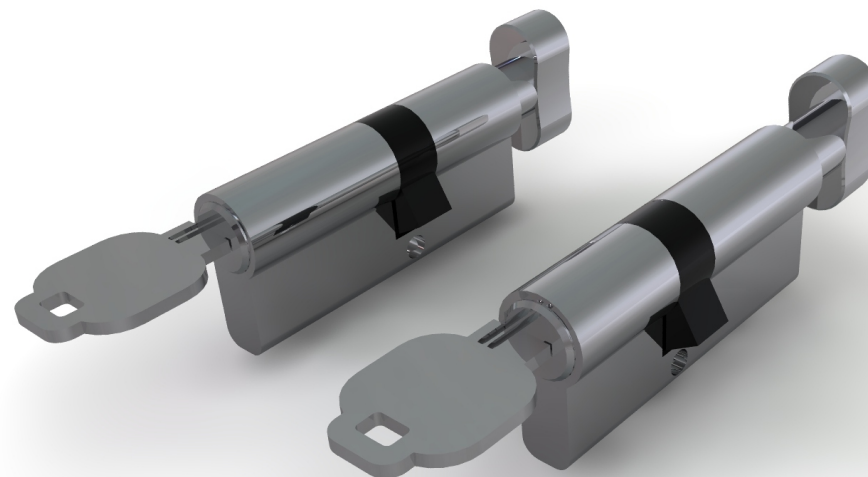
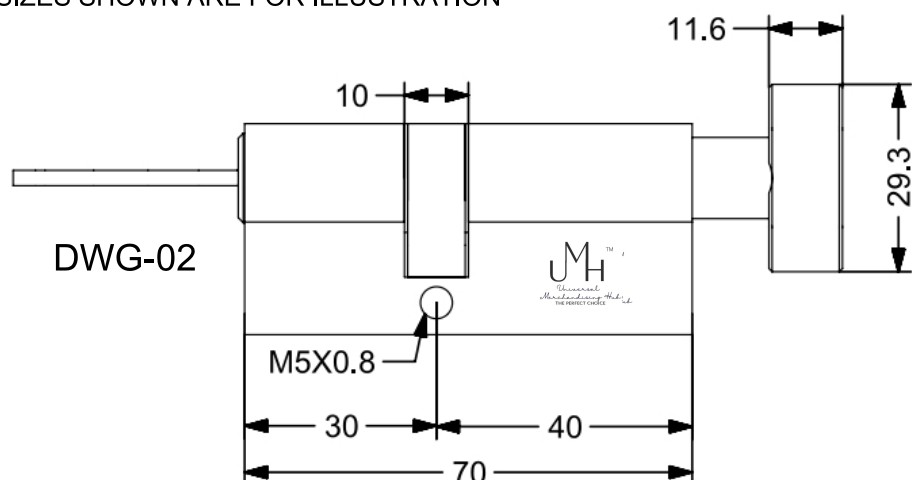


ITEM CODE	DESCRIPTION	A	B	C
UM40HLFTT-SN	40 MM HLF- KNOB	40	30	10
UM45HLFTT-SN	45 MM HLF - KNOB	45	35	10
UM50HLFTT-SN	50 MM HLF - KNOB	50	40	10
UM55HLFTT - SN	55 MM HLF - KNOB	55	45	10
UM60HLFTT - SN	60 MM HLF - KNOB	60	50	10
UM65HLFTT - SN	65 MM HLF - KNOB	65	55	15

EURO PROFILE OFFSET LOCK CYLINDER ONE SIDE KEY ONE SIDE THUMB TURN -OSK



SIZES SHOWN ARE FOR ILLUSTRATION



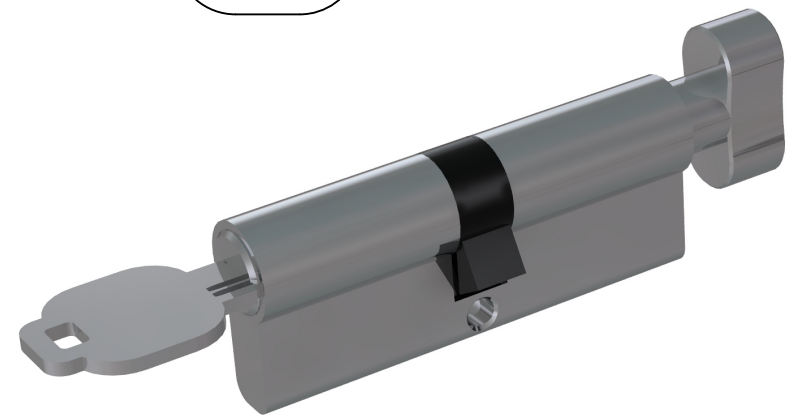
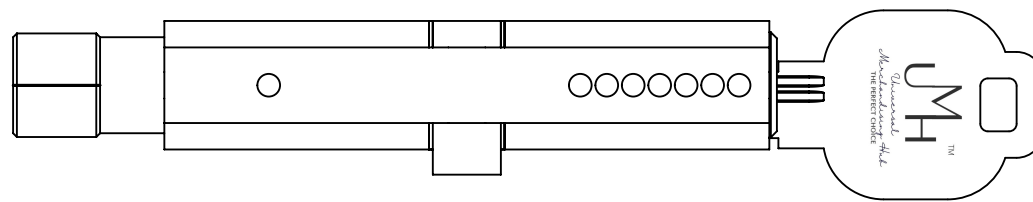
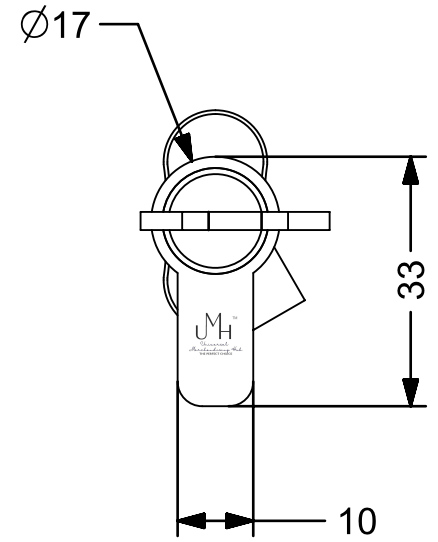
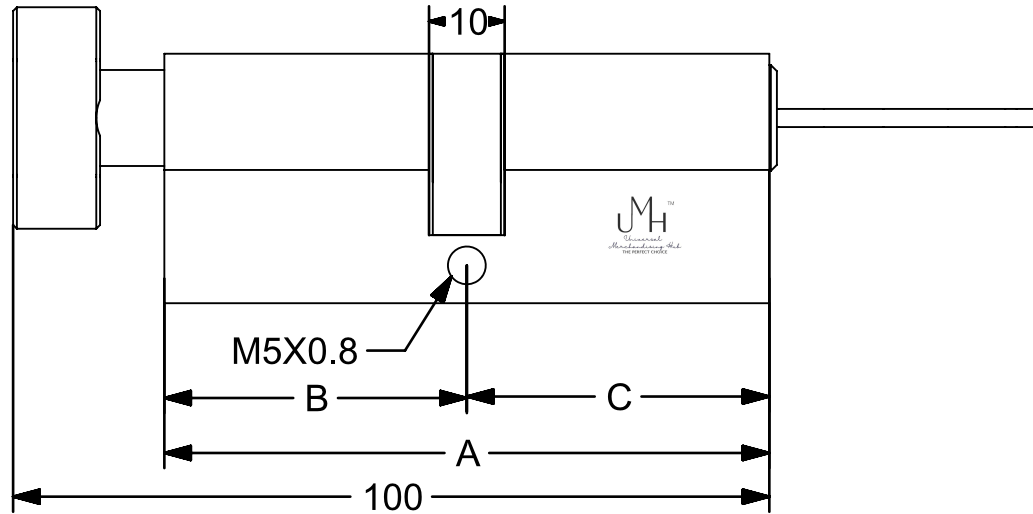
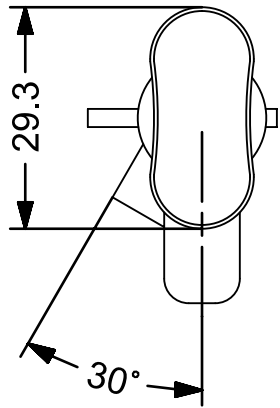
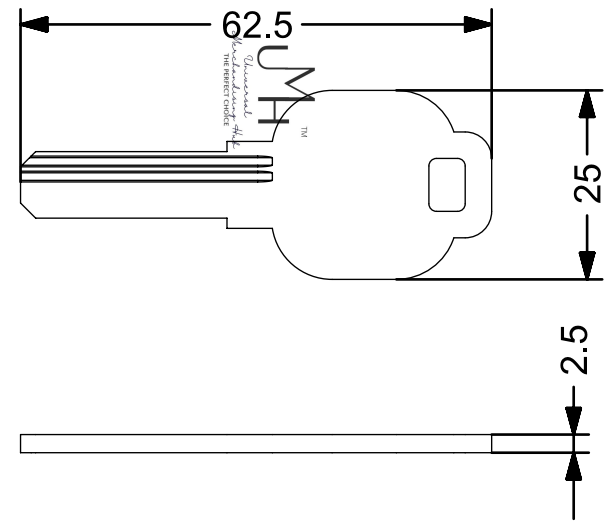
"An ISO 9001:2015 Certified Co.  
An ISO 14001:2015 Certified Co."

- \* All Sizes in MM
- \* Brass Euro Offset Cylinder One Side Ultra Keys, Other side Thumb Turn (TT) - Knob(OSK)
- \* More Key & Knob designs Available
- \* Finish - Brushed Satin Nickel-SN ( Also Av.Gold(G)/Black(BL)/Nickel Chrome(NiCr) )
- \* One CSK Philip Head Screw M5\*0.8
- \* Size & combinations can be customized as per requirement
- \* Six / Seven Pins
- \* Master Key Cylinders also available on order



ITEM CODE	DESCRIPTION	A	B	C	REF.
UMOF70OSKU-30K40-SN	70 MM OSK	70	30	40	DWG-01
UMOF70OSKU-3040K-SN	70 MM OSK	70	40	30	DWG-02
UMOF75OSKU-30K45-SN	75 MM OSK	75	30	45	DWG-01
UMOF75OSKU-3045K-SN	75 MM OSK	75	45	30	DWG-02
UMOF80OSKU-35K45-SN	80 MM OSK	80	35	45	DWG-01
UMOF80OSKU-3545K-SN	80 MM OSK	80	45	35	DWG-02
UMOF80OSKU-30K50-SN	80 MM OSK	80	30	50	DWG-01
UMOF80OSKU-3050K-SN	80 MM OSK	80	50	30	DWG-02
UMOF85OSKU-35K50-SN	85 MM OSK	85	35	50	DWG-01
UMOF80OSKU-3550K-SN	85 MM OSK	85	50	35	DWG-02
UMOF90OSKU-42K48-SN	90 MM OSK	90	42	48	DWG-01
UMOF90OSKU-4248K-SN	90 MM OSK	90	48	42	DWG-02
UMOF90OSKU-40K50-SN	90 MM OSK	90	40	50	DWG-01
UMOF90OSKU-4050K-SN	90 MM OSK	90	50	40	DWG-02
UMOF90OSKU-30K60-SN	90 MM OSK	90	30	60	DWG-01
UMOF90OSKU-3060K-SN	90 MM OSK	90	60	30	DWG-02

EURO PROFILE LOCK CYLINDER ONE SIDE KEY ONE SIDE THUMB TURN -OSK

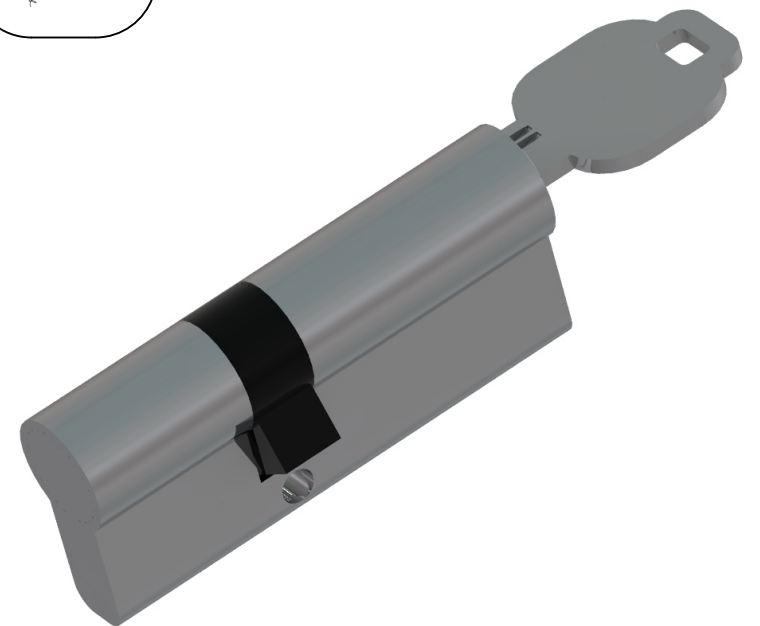
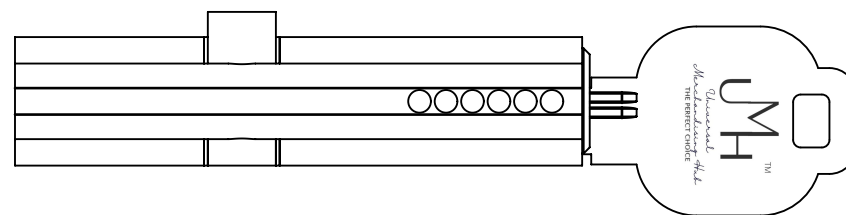
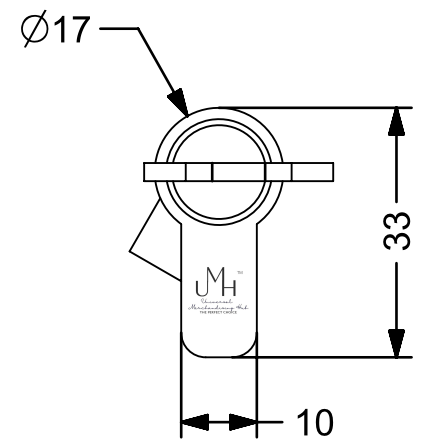
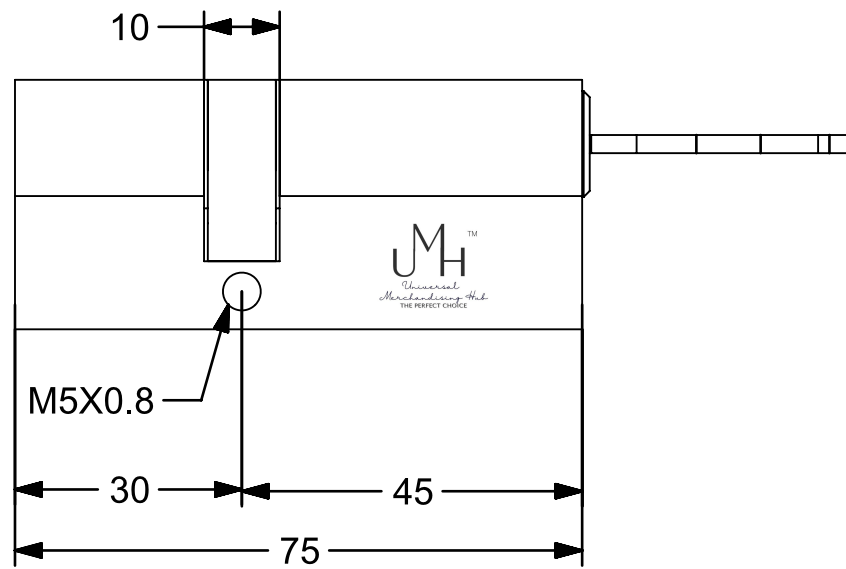
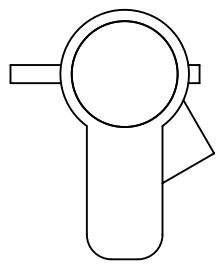
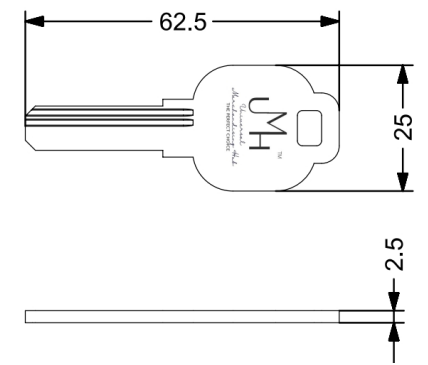


"An ISO 9001:2015 Certified Co.  
An ISO 14001:2015 Certified Co."

- \* All Sizes in MM
- \* Brass Euro Cylinder with Brass Knob & Brass Keys
- \* One Side Key One Side Thumb Turn ( Knob)-OSK
- \* Other Knob & Key designs Available
- \* Heavy Ultra Computerized Keys - 3 Nos.
- \* Six / Seven Pins
- \* Finish - Brushed Satin Nickel ( Also Av.Gold/Black/Nickel Chrome )
- \* One Screw CSK Philip Head M5\*0,8
- \* Customization in Size & Combination Possible
- \* Master Key Cylinders Manufactured

ITEM CODE	DESCRIPTION	A	B	C
UM60OSKU-SN	60 MM OSK	60	30	30
UM62OSKU-SN	62 MM OSK	62	31	31
UM65OSKU-SN	65 MM OSK	65	32.5	32.5
UM70OSKU-SN	70 MM OSK	70	35	35
UM75OSKU-SN	75 MM OSK	75	37.5	37.5
UM80OSKU -SN	80 MM OSK	80	40	40
UM85OSKU -SN	85 MM OSK	85	43.5	43.5
UM90OSKU -SN	90 MM OSK	90	45	45
UM100OSKU -SN	100 MM OSK	100	50	50

EURO PROFILE KEY+BLANK LOCK CYLINDER



"An ISO 9001:2015 Certified Co.  
An ISO 14001:2015 Certified Co."

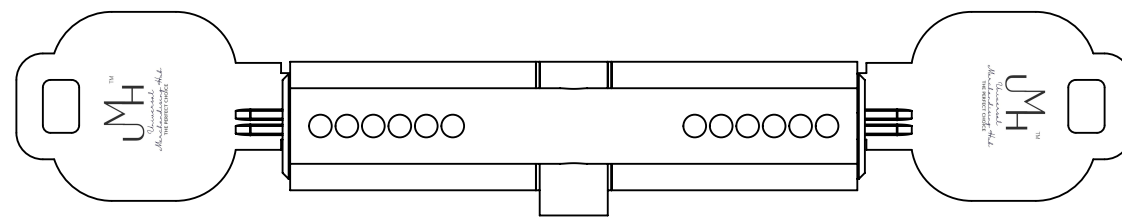
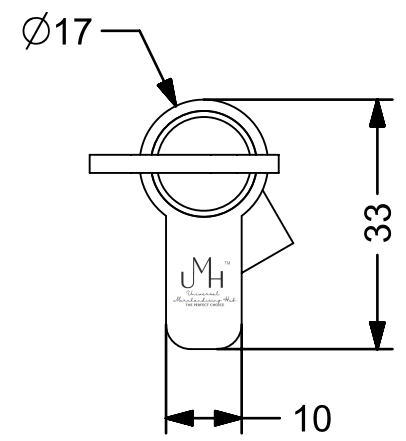
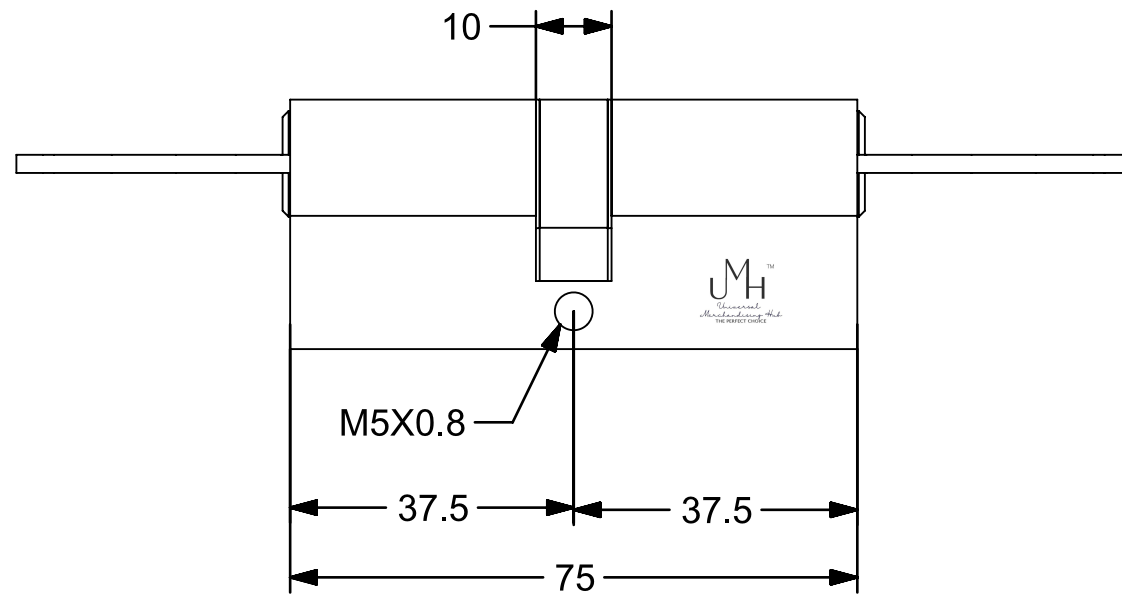
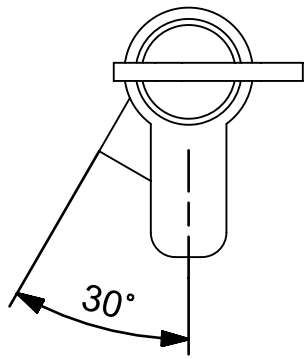
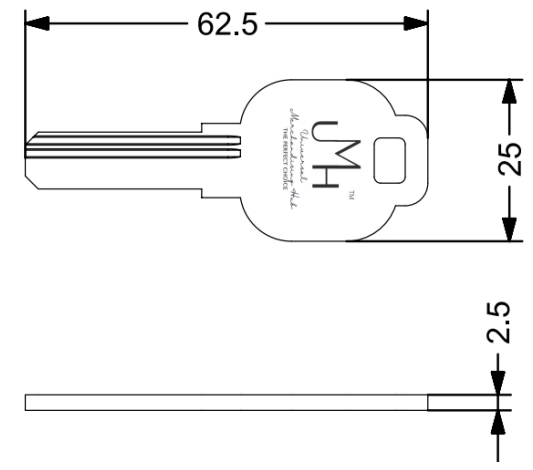
- \* All Sizes in MM
- \* Brass Euro Profile KEY+BLANK (KB)
- \* Heavy Brass Computerized Ultra key 3 Nos.
- \* Six/Seven Pin
- \* More Key designs Available
- \* Finish - Brushed Satin Nickel-SN ( Also Av.Gold(G)/Black(BL)/Nickel Chrome(NiCr) )
- \* One CSK Philip Head Screw M5\*0.8
- \* Customization is possible in Size & Combination on order



ITEM CODE	DESCRIPTION	A	B	C
UM75OFKB30B45-SN	75 MM Key+Blank	75	30	45
UM75OFKB3045B-SN	75 MM Key +Blank	75	30	45
UM80OFKB35B45-SN	80 MM Key+Blank	80	35	45
UM80OFKB30B50-SN	80 MM Key+Blank	80	30	50
UM80OFKB4040-SN	80 MM Key+Blank	80	40	40
UM85OFKB425425-SN	85 MM Key+Blank	85	42.5	42.5
UM90OFKB4545-SN	90 MM Key+Blank	90	45	45
UM75OFKB5050-SN	100 MM Key+Blank	100	50	50



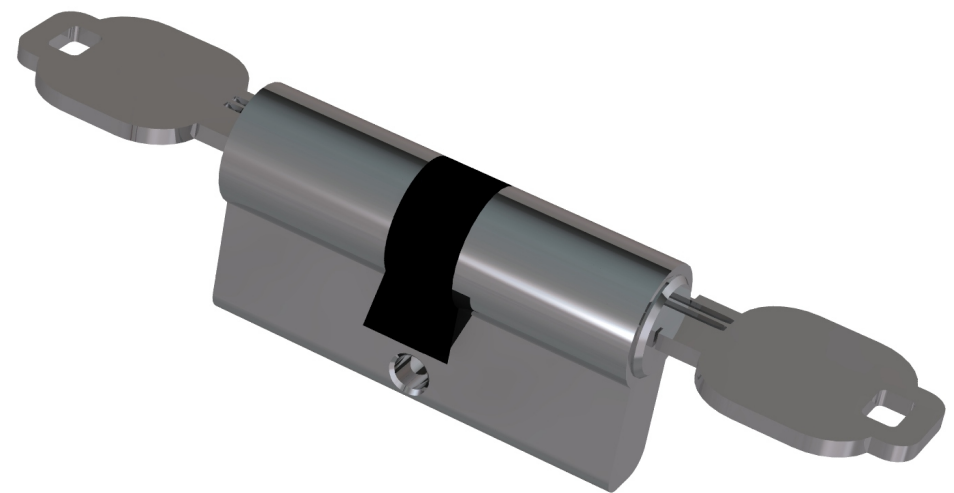
EURO CYLINDER BOTH SIDE ULTRA KEYS



"An ISO 9001:2015 Certified Co.  
An ISO 14001:2015 Certified Co."

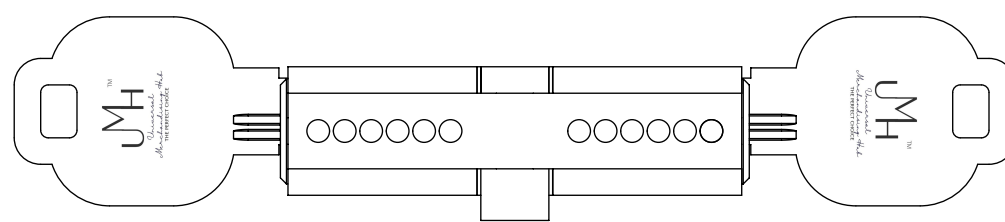
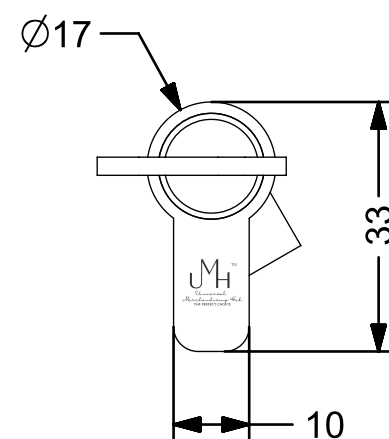
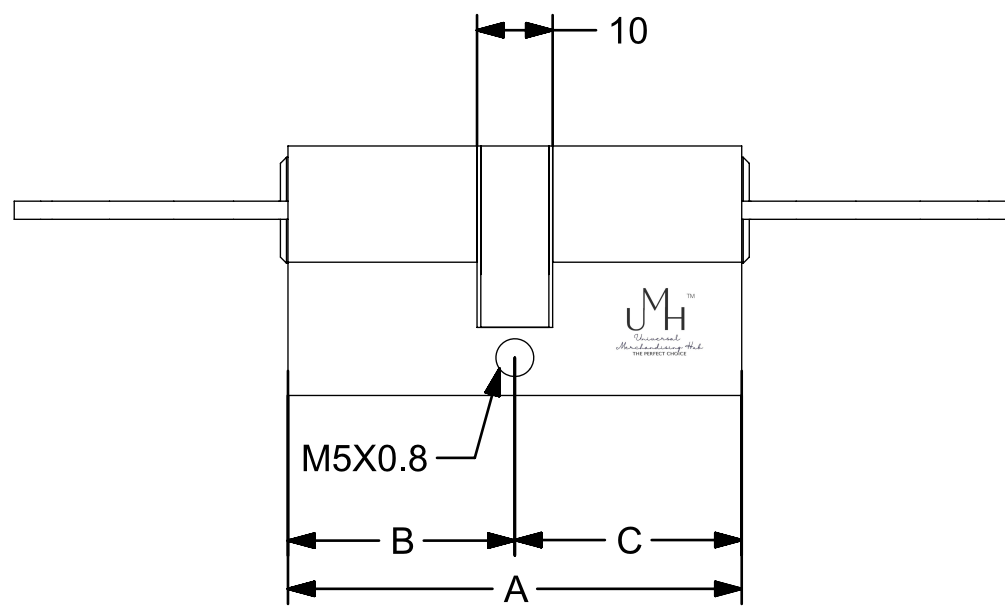
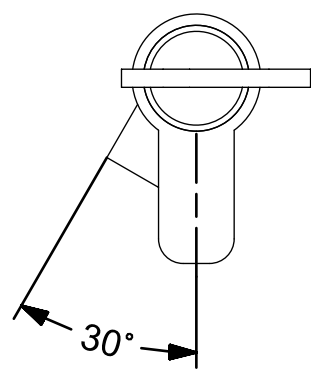
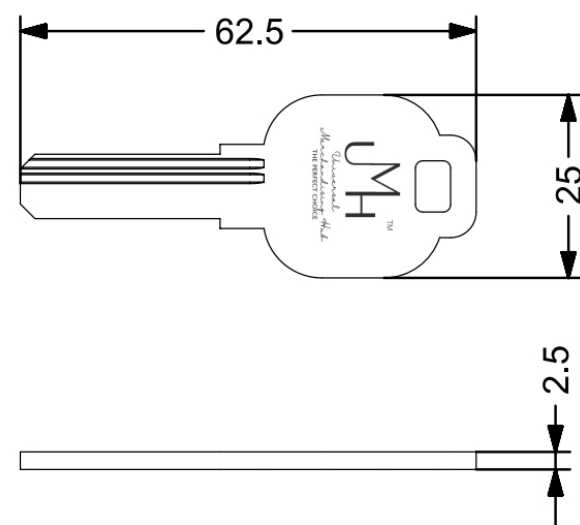
- \* All Sizes in MM
- \* Brass Euro Cylinder with Brass Both Side Keys - BSK Six/Seven Pin
- \* More Key designs Available
- \* Heavy Ultra Computerized Keys - 3 Nos.

- \* Finish - Brushed Satin Nickel-SN ( Also Av.Gold(G)/Black(BL)/Nickel Chrome(NiCr) )
- \* One CSK Philip Head Screw M5\*0.8



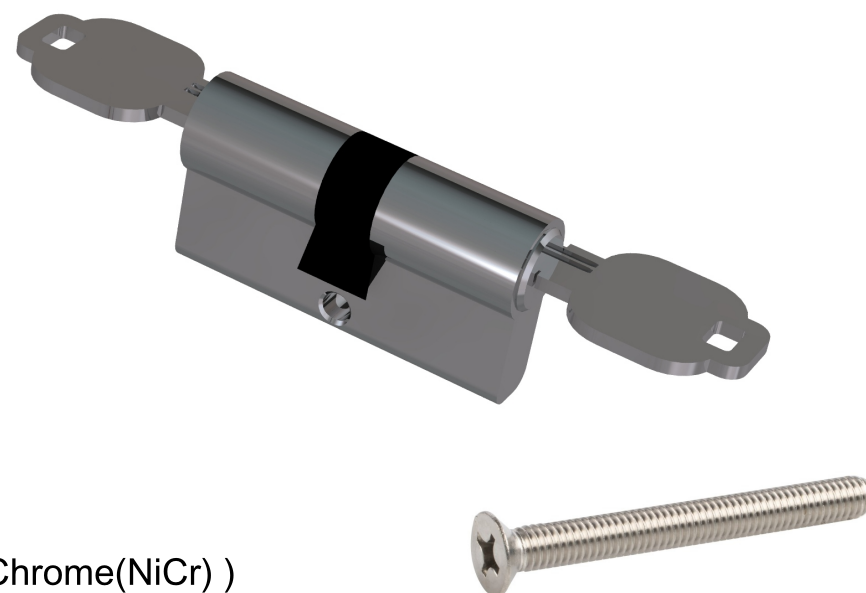
ITEM CODE	DESCRIPTION	A	B	C
UM80BSKU-SN	80 MM BSK	80	40	40
UM85BSKU-SN	85 MM BSK	85	42.5	42.5
UM90BSKU-SN	90 MM BSK	90	45	45
UM100BSKU-SN	100 MM BSK	100	50	50

# EURO BRASS CYLINDER - BOTH SIDE ULTRA KEYS



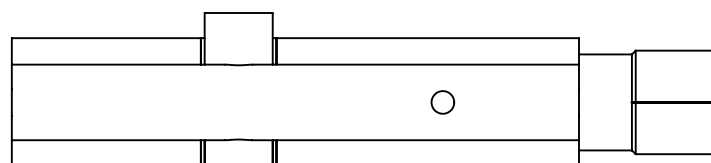
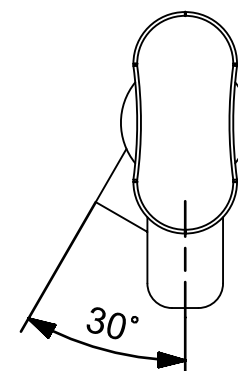
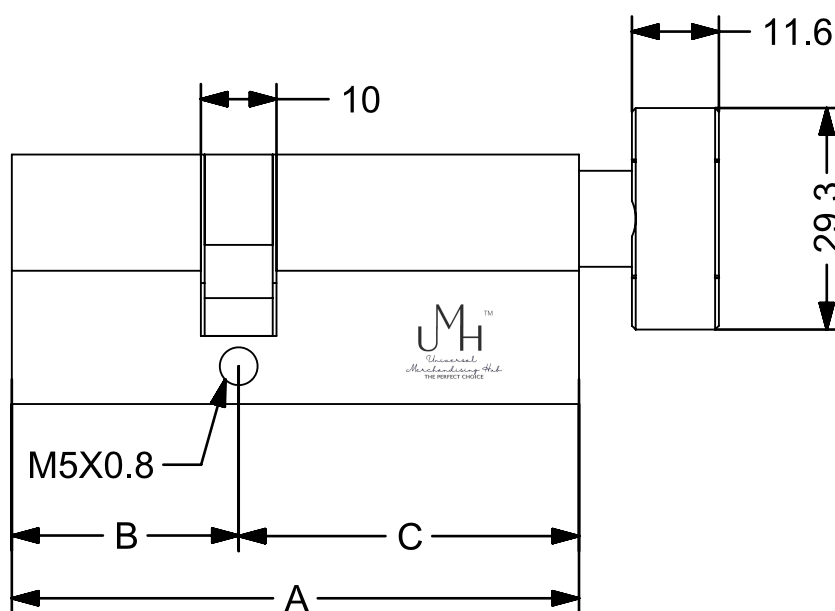
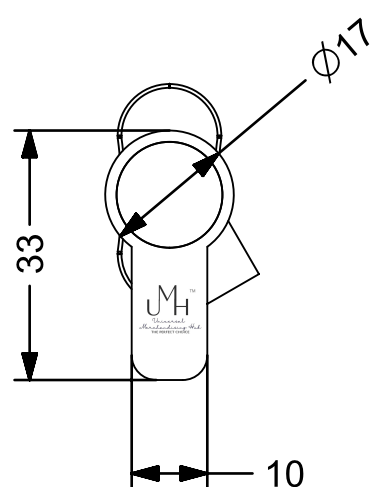
"An ISO 9001:2015 Certified Co.  
An ISO 14001:2015 Certified Co."

- \* All Sizes in MM
- \* Brass Euro Cylinder with Brass Keys
- \* Both Side Keys -BSK
- \* More Key designs Available
- \* Heavy Ultra Computerized Keys - 3 Nos.
- \* Six / Seven Pins
- \* Finish - Brushed Satin Nickel(SN)/ ( Also Av.Gold(G)/Black(BL)/Nickel Chrome(NiCr) )
- \* One CSK Philip Head Screw M5\*0.8

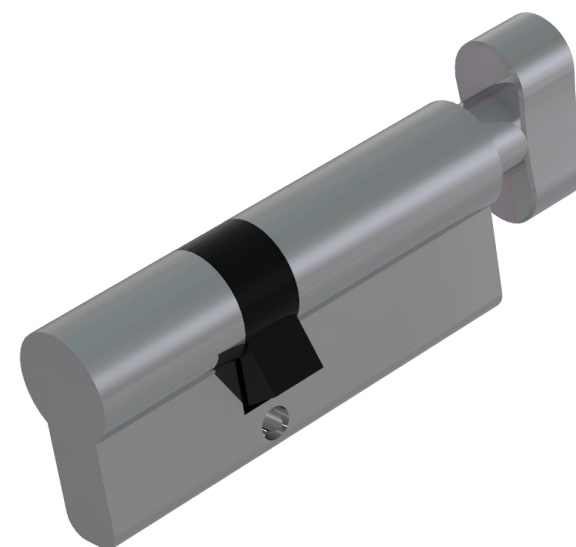


ITEM CODE	DESCRIPTION	A	B	C
UM60BSKU -SN	60 MM BSK	60	30	30
UM62BSKU -SN	62 MM BSK	62	31	31
UM65BSKU -SN	65 MM BSK	65	32.5	32.5
UM70BSKU -SN	70 MM BSK	70	35	35
UM75BSKU-SN	75 MM BSK	75	37.5	37.5
UM80BSKU-SN	80 MM BSK	80	40	40
UM85BSKU-SN	85 MM BSK	85	42.5	42.5
UM90BSKU-SN	90 MM BSK	90	45	45
UM100BSKU-SN	100 MM BSK	100	50	50

BRASS EURO PROFILE BLANK KNOB LOCK CYLINDER



"An ISO 9001:2015 Certified Co.  
An ISO 14001:2015 Certified Co."

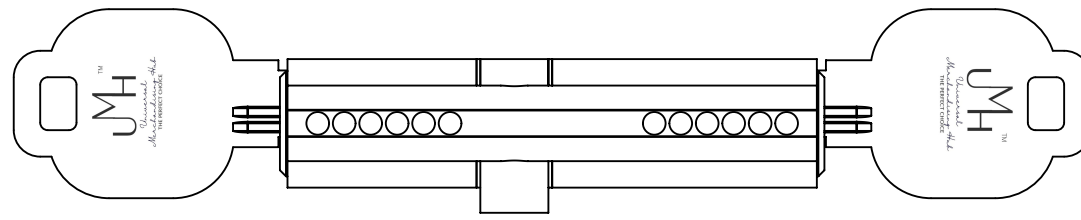
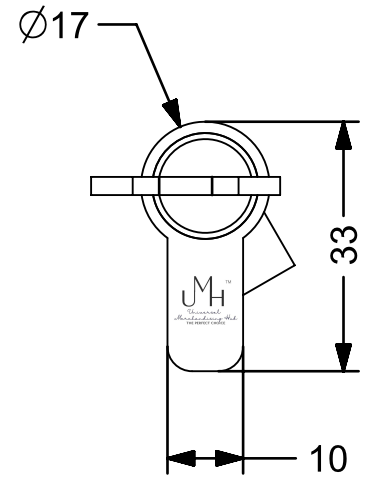
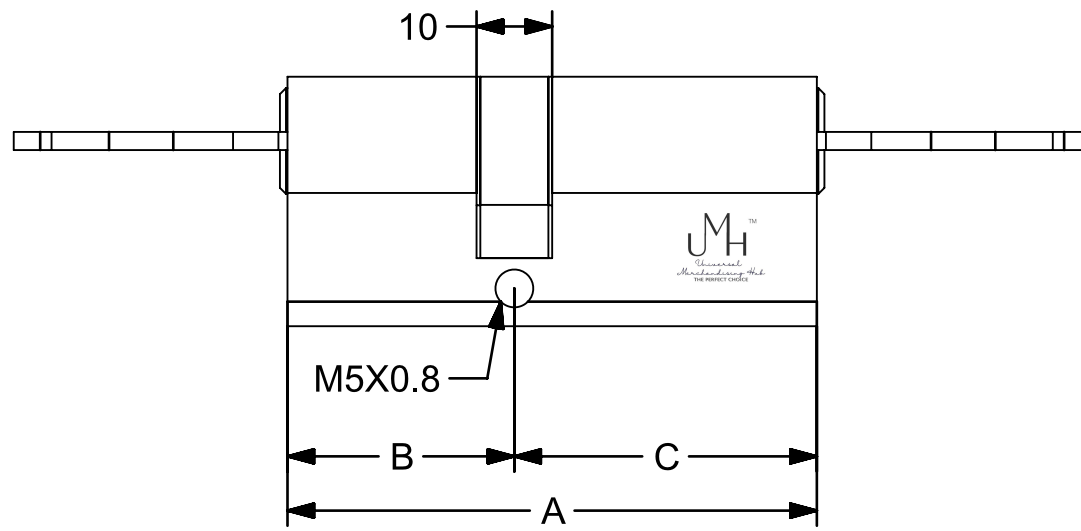
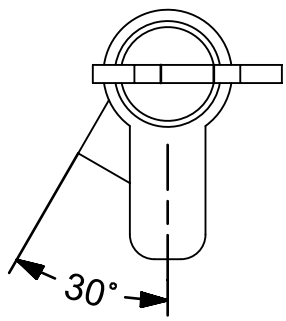
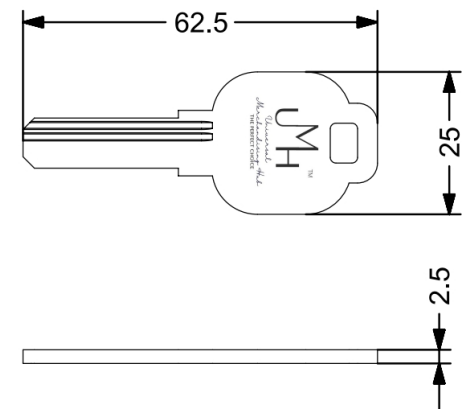


- \* All Sizes in MM
- \* Brass Euro Profile Offset Lock Cylinder One Side Knob + Other Side Blank(B)
- \* More Knob designs Available
- \* Finish - Brushed Satin Nickel-SN ( Also Av.Gold(G)/Black(BL)/Nickel Chrome(NiCr) )
- \* One CSK Philip Head Screw M5\*0.8
- \* Customization is possible in Size & Combination on order

ITEM CODE	DESCRIPTION	A	B	C
UM75OFTTB30B45-SN	75 MM Knob+Blank	75	30	45
UM75OFTTB3045B-SN	75 MM Knob +Blank	75	30	45
UM80OFTTB35B45-SN	80 MM Knob+Blank	80	35	45
UM80OFTTB30B50-SN	80 MM Knob+Blank	80	30	30
UM80OFTTB4040-SN	80 MM Knob+Blank	80	40	40
UM85OFTTB425425-SN	85 MM Knob+Blank	85	42.5	42.5
UM90OFTTB4545-SN	90 MM Knob+Blank	90	45	45
UM75OFTTB5050-SN	100 MM Knob+Blank	100	50	50

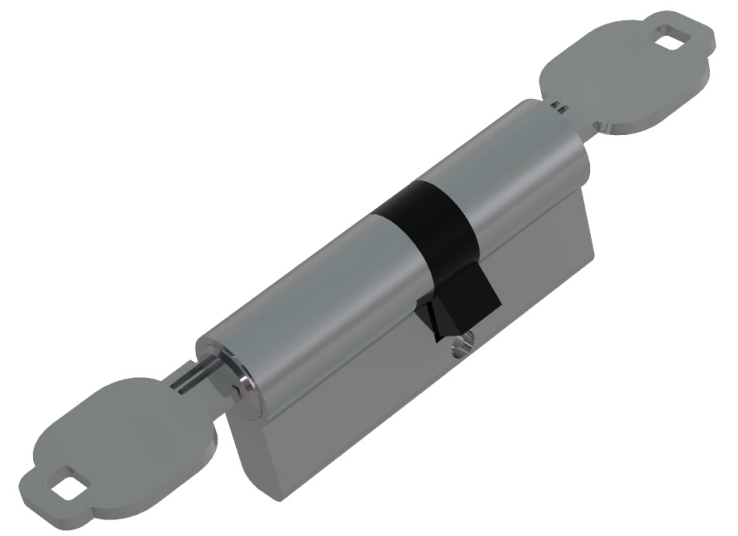


Brass Euro Profile Offset Lock Cylinder-Both Side - BSk



"An ISO 9001:2015 Certified Co.  
An ISO 14001:2015 Certified Co."

- \* All Sizes in MM
- \* Brass Euro Profile Offset Lock Cylinder Both Side Keys - BSK
- \* Heavy Brass Computerized Ultra key 3 Nos.
- \* Six/Seven Pin
- \* More Key designs Available
- \* Finish - Brushed Satin Nickel-SN ( Also Av.Gold(G)/Black(BL)/Nickel Chrome(NiCr) )
- \* One CSK Philip Head Screw M5\*0.8
- \* Customization is possible in Size & Combination on order



ITEM CODE	DESCRIPTION	A	B	C
UMOF65BSKU3530	65 MM BSK	65	30	35
UMOF70BSKU3040	70 MM BSK	70	30	40
UMOF75BSKU3045	75 MM BSK	75	30	45
UMOF80BSKU3545	80 MM BSK	80	35	45
UMOF80BSKU3050	80 MM BSK	80	30	50
UMOF85BSKU3550	85 MM BSK	85	35	50
UMOF90BSKU4248	90 MM BSK	90	42	48
UMOF90BSKU4050	90 MM BSK	90	40	50
UMOF90BSKU3060	90 MM BSK	90	30	60