



**طفايات HEX**  
**HEXDRAINER**

# **TECHNICAL DATA SHEET**

## **ورقة البيانات والمواصفات الفنية**



**طفايات معدنية ثنائية الغطاء**  
**مكون أساسي من مكونات دورات المياه والمطابخ**  
**Double-cap metal DRAINER**  
**An essential component of bathrooms and**  
**kitchens.**

تابعنا على وسائل التواصل الاجتماعي ليحك جديدنا

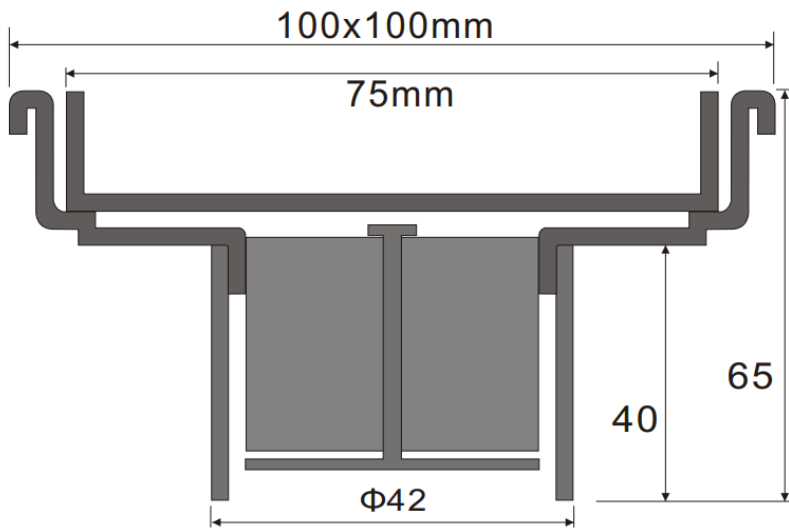


# HEXDRAIN **حفاية تطريف**

## TECHNICAL DRAWING SPECIFICATIONS



ITEM	DESCRIPTION		
Product name	100x100mm SUS 304 tile drain With removeable tiles holder and abs siphon		
Item No	H10C	H10B	H10G



ITEM	DESCRIPTION	ITEM	DESCRIPTION
Size	100 x100mm,4x4"	Material	SUS 304
Surface treatment	Mirror polish finished Black color by Powder Coating Gold color by Electroplating		
Packing detail	1pc/Polybag/Inner color box/Export carton		
Certificate	ISO9001:2008	Guarantee	Warranty 20 years
Outlet	42 mm	Thickness	1.5mm

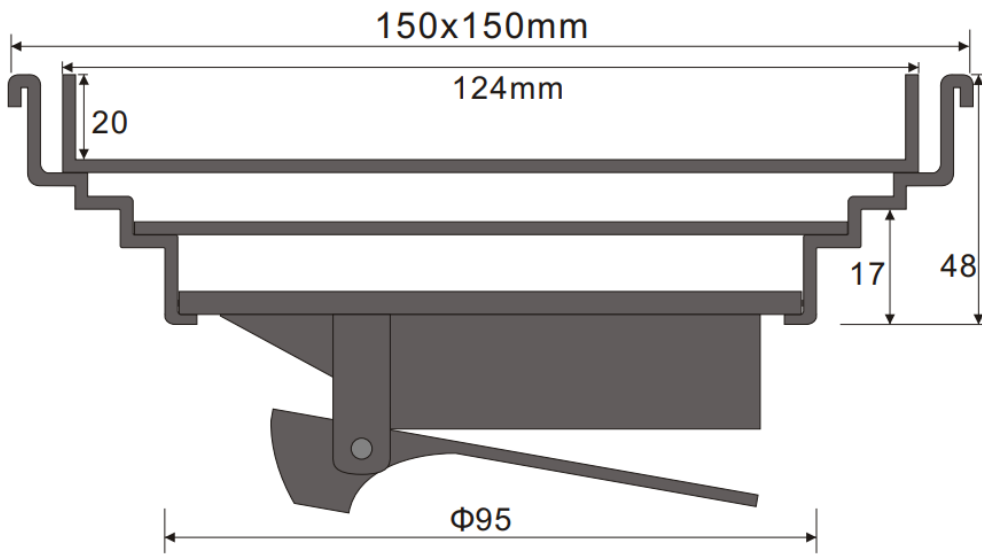


# HEXDRAIN **حفاية تطريف**

## TECHNICAL DRAWING SPECIFICATIONS



ITEM	DESCRIPTION		
Product name	150x150mm SUS 304 tile drain With removeable tiles holder and abs siphon		
Item No	H15C	H15B	H15G



ITEM	DESCRIPTION	ITEM	DESCRIPTION
Size	150x150mm, 6x6"	Material	SUS 304
Surface treatment	Mirror polish finished Black color by Powder Coating Gold color by Electroplating		
Packing detail	1pc/Polybag/Inner color box/Export carton		
Certificate	ISO9001:2008	Guarantee	Warranty 20years
Outlet	95 mm	Thickness	1.5mm

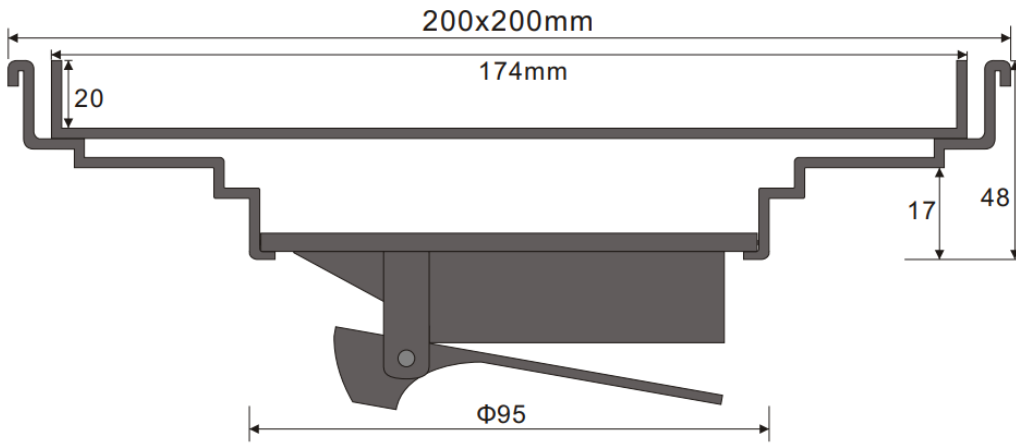


# HEXDRAIN **حفاية تطريف**

## TECHNICAL DRAWING SPECIFICATIONS



ITEM	DESCRIPTION		
Product name	200x200mm SUS 304 tile drain With removeable tiles holder and abs siphon		
Item No	H20C	H20B	H20G



ITEM	DESCRIPTION	ITEM	DESCRIPTION
Size	200x200mm, 8x8"	Material	SUS 304
Surface treatment	Mirror polish finished Black color by Powder Coating Gold color by Electroplating		
Packing detail	1pc/Polybag/Inner color box/Export carton		
Certificate	ISO9001:2008	Guarantee	Warranty 20years
Outlet	95 mm	Thickness	1.5mm

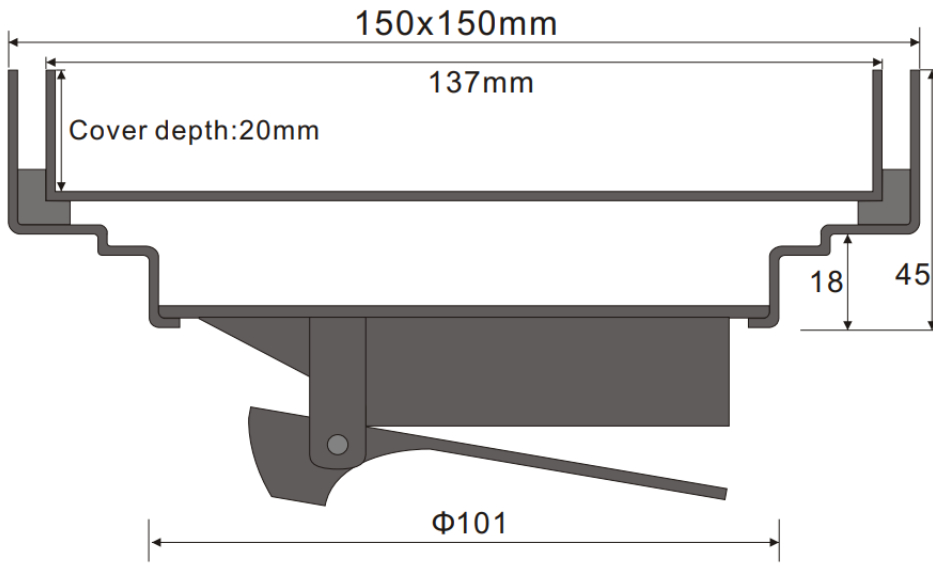


# HEXDRAIN **حفاية تطريف**

## TECHNICAL DRAWING SPECIFICATIONS



ITEM	DESCRIPTION
Product name	150x150mm SUS 304 tile drain With removeable tiles holder and abs siphon
Item No	H15S

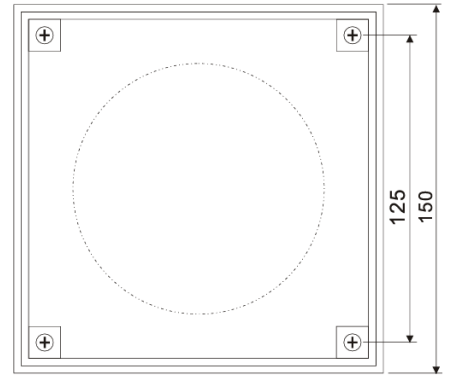


ITEM	DESCRIPTION	ITEM	DESCRIPTION
Size	150x150mm, 6x6"	Material	SUS 304
Surface treatment	Mirror polish finished		
Packing detail	1pc/Polybag/Inner color box/Export carton		
Certificate	ISO9001:2008	Guarantee	Warranty 20years
Outlet	101 mm	Thickness	1.5mm

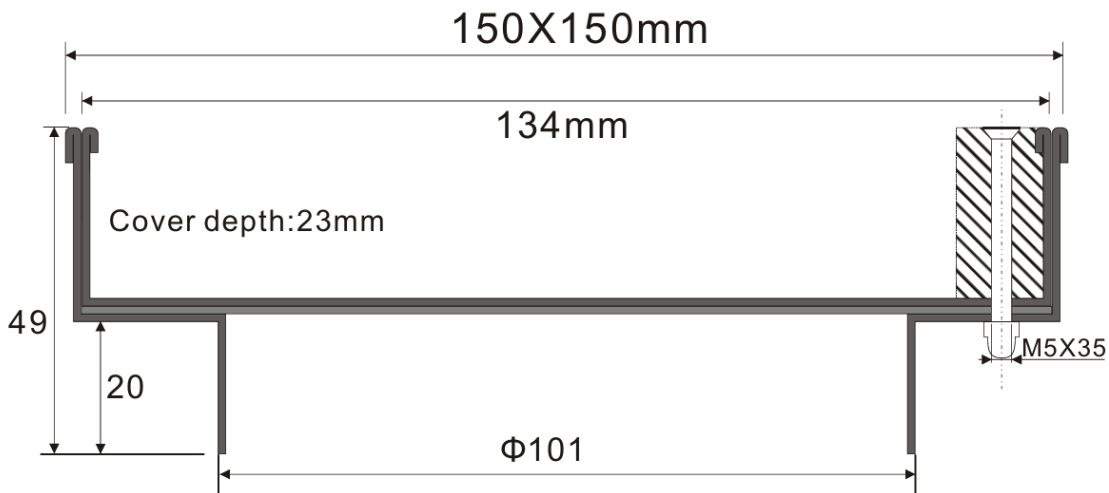


# HEXDRAIN **حفاية تطريف**

## TECHNICAL DRAWING SPECIFICATIONS



ITEM	DESCRIPTION
Product name	150x150mm SUS 304 tile drain With Clean-out tiles holder and rubber gasket
Item No	H15R



ITEM	DESCRIPTION	ITEM	DESCRIPTION
Size	150x150mm, 6x6"	Material	SUS 304
Surface treatment	Mirror polish finished		
Packing detail	1pc/Polybag/Inner color box/Export carton		
Certificate	ISO9001:2008	Guarantee	Warranty 20years
Outlet	101 mm	Thickness	1.5mm

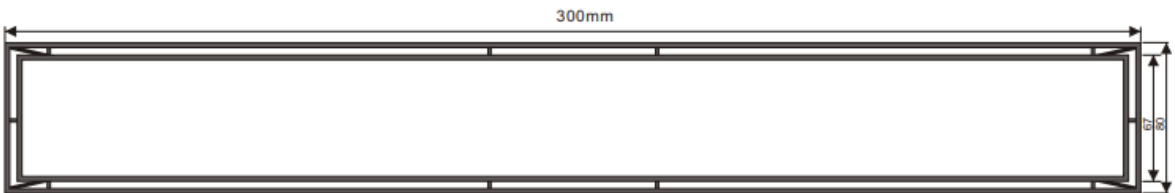
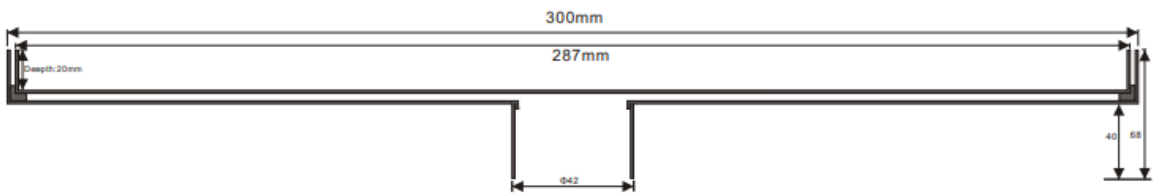


# HEXDRAIN **حفاية تطريف**

## TECHNICAL DRAWING SPECIFICATIONS



ITEM	DESCRPTION		
Product name	300x80mm SUS 304 tile drain With removeable tiles holder and abs siphon		
Item No	H30C	H30B	H30G



ITEM	DESCRIPTION	ITEM	DESCRIPTION
Size	300 x80mm	Material	SUS 304
Surface treatment	Mirror polish finished Black color by Powder Coating Gold color by Electroplating		
Packing detail	1pc/Polybag/Inner color box/Export carton		
Certificate	ISO9001:2008	Guarantee	Warranty 20years
Outlet	42 mm	Thickness	1.5mm

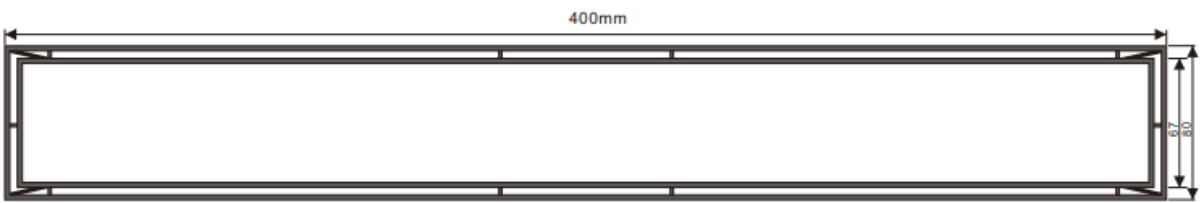
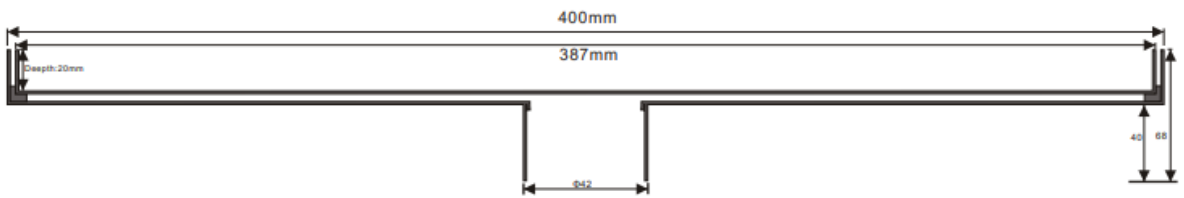


# HEXDRAIN طفاية تطريف

## TECHNICAL DRAWING SPECIFICATIONS



ITEM	DESCRPTION		
Product name	400x80mm SUS 304 tile drain With removeable tiles holder and abs siphon		
Item No	H40C	H40B	H40G



ITEM	DESCRPTION	ITEM	DESCRPTION
Size	400 x80mm	Material	SUS 304
Surface treatment	Mirror polish finished Black color by Powder Coating Gold color by Electroplating		
Packing detail	1pc/Polybag/Inner color box/Export carton		
Certificate	ISO9001:2008	Guarantee	Warranty 20years
Outlet	42 mm	Thickness	1.5mm



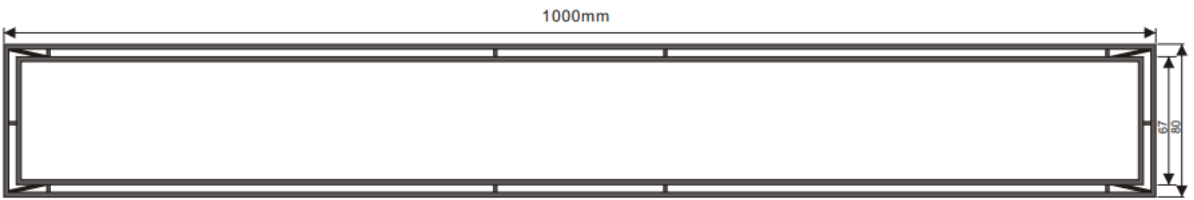
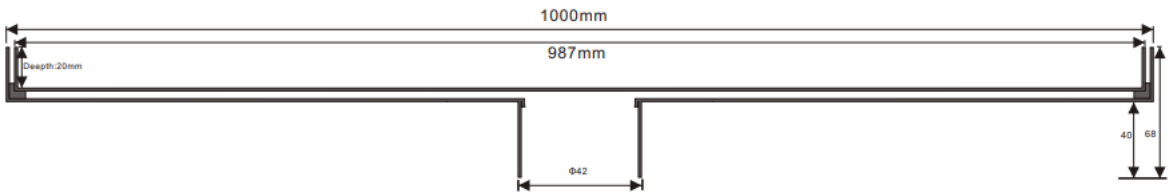


# HEXDRAINer **حفاية تطريف**

## TECHNICAL DRAWING SPECIFICATIONS



ITEM	DESCRIPTION		
Product name	1000x80mm SUS 304 tile drain With removeable tiles holder and abs siphon		
Item No	H100C	H100B	H100G



ITEM	DESCRIPTION	ITEM	DESCRIPTION
Size	1000 x80mm	Material	SUS 304
Surface treatment	Mirror polish finished Black color by Powder Coating Gold color by Electroplating		
Packing detail	1pc/Polybag/Inner color box/Export carton		
Certificate	ISO9001:2008	Guarantee	Warranty 20years
Outlet	42 mm	Thickness	1.5mm



# HEX

المنطقة الشرقية – حي الشعلة – شارع سلامة بن كهيل

**Email: [Sales@Hex.sa](mailto:Sales@Hex.sa)**

**[WWW.HEX.SA](http://WWW.HEX.SA)**

