

STOESS MFG INC.

Hydra-Rod 4000 Parts Manual

Revised August 23, 2018

Stoess Manufacturing Inc.

225 W. North Street
Washtucna, WA 99371
1-888-771-2314

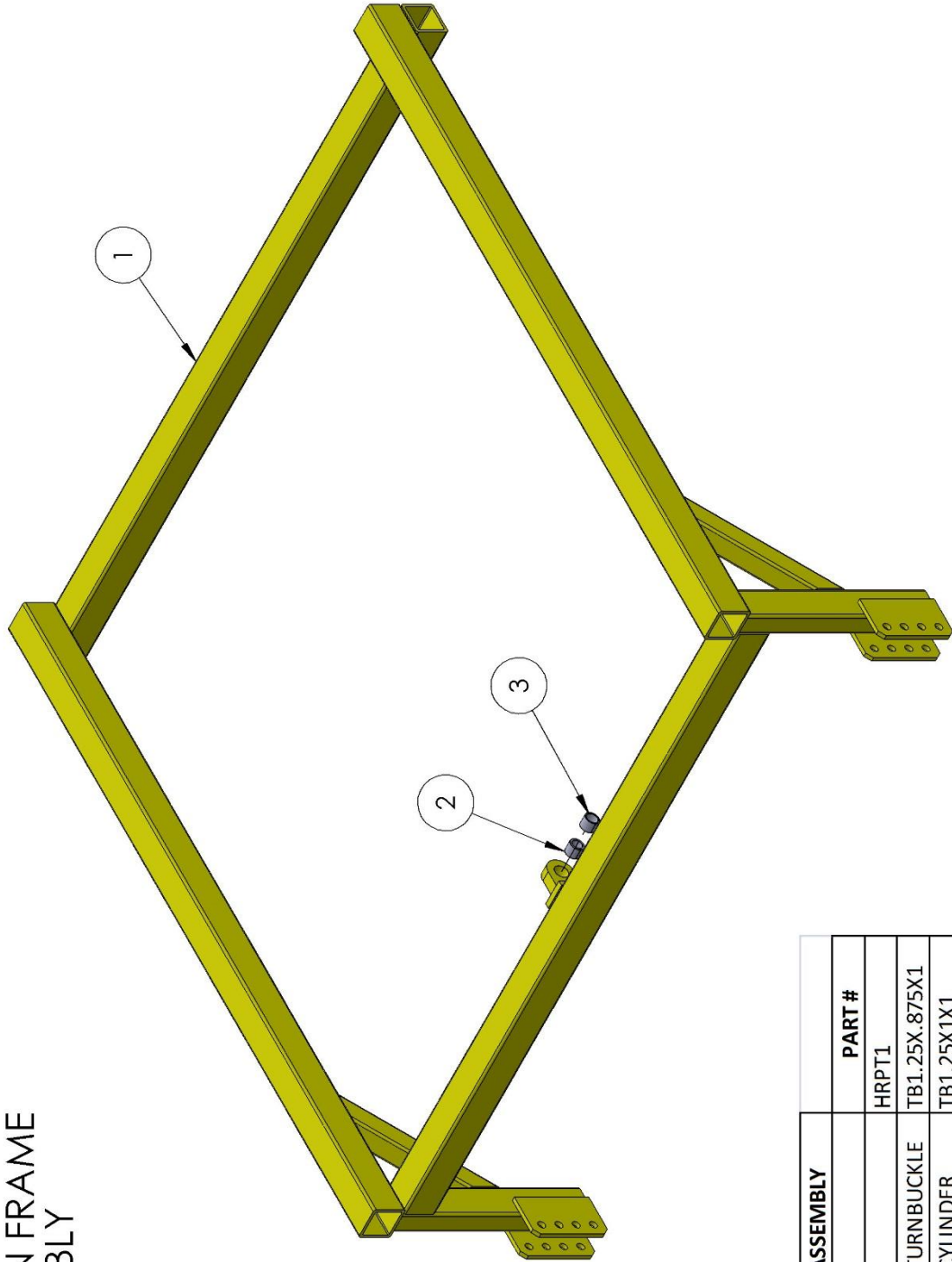
Printed in the United States of America

TABLE OF CONTENTS

Hydra-Rod Weeder

<u>MAIN FRAME ASSEMBLY</u> -----	Page 3
<u>SHANK ASSEMBLY</u> -----	Page 4
<u>POWER FRAME ASSEMBLY</u> -----	Page 5
<u>AXLE ASSEMBLY WITH TURNBUCKLE</u> -----	Page 6
<u>AXLE ASSEMBLY WITH CYLINDER</u> -----	Page 7
<u>BOOT ASSEMBLY</u> -----	Page 8
<u>STABILIZER WHEEL ASSEMBLY</u> -----	Page 9
<u>CASTER WHEEL ASSEMBLY</u> -----	Page 10
<u>BOLT-ON HUB ASSEMBLY</u> -----	Page 11
<u>CYLINDER 2 X 6</u> -----	Page 12

HR4000 MAIN FRAME ASSEMBLY



MAIN FRAME ASSEMBLY		PART #
ITEM #	DESCRIPTION	
1	MAIN FRAME	HRPT1
2	BUSHING FOR TURNBUCKLE	TB1.25X.875X1
2	BUSHING FOR CYLINDER	TB1.25X1X1

DATE 4/15

1

2

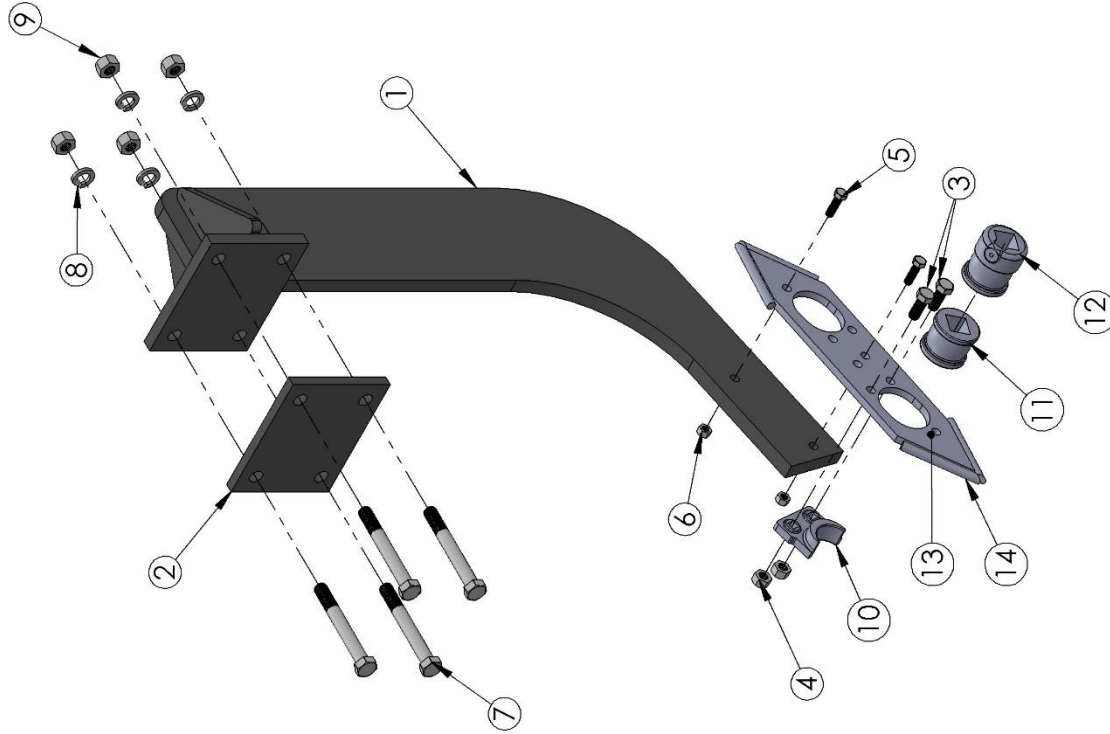
3

4

5

HR 4000 SHANK ASSEMBLY

SHANK ASSEMBLY		PART #
ITEM #	DESCRIPTION	
1	SHANK	HRPT5
2	SHANK BACKUP PLATE	HRPT6
3	CAP SCREW, 7/16 X 1-3/4	FCSV.438X1.75
4	LOCKING CROWN NUT, 7/16	FCOT.188X1.5
5	CAPSCREW, 3/8 X 1-1/4	FCSV.75X1.25
6	LOCKING FLANGE NUT, 3/8	FNTLF.375
7	CAPSCREW, 5/8 X 5	FCSV.625X5
8	LOCK WASHER, 5/8	FLW.625
9	NUT, 5/8	FNT.625
10	BLOCK	BLOCK
11	SPOOL, 1"	SPOOL1
12	LOCKING SPOOL, 1"	SPOOL1L
13	GOOSE NECK POINT	GNPOINT
14	REPLACEMENT CHROME ROD	HR74



DATE 4/15

1

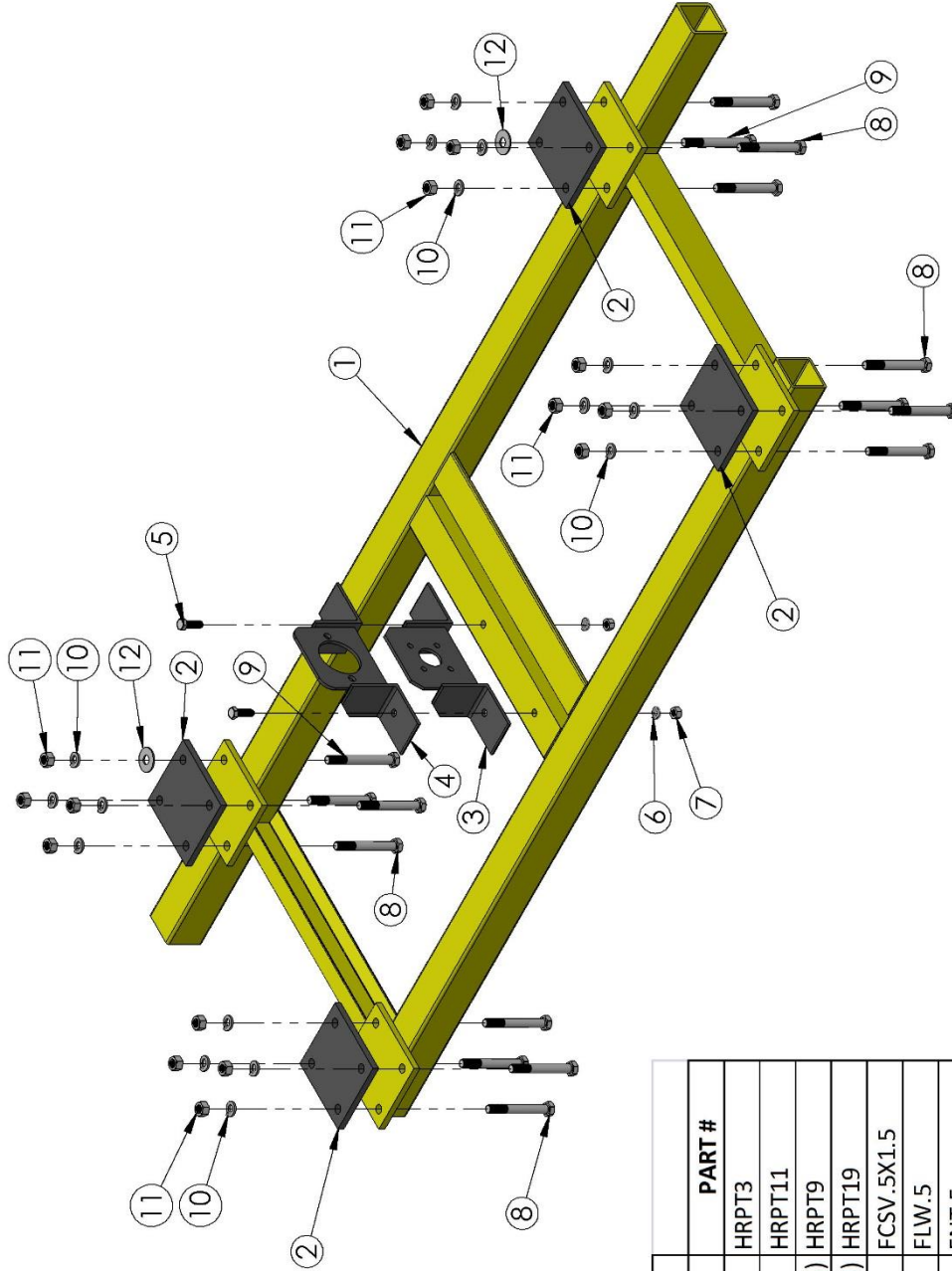
2

3

4

5

HR4000 POWER FRAME ASSEMBLY

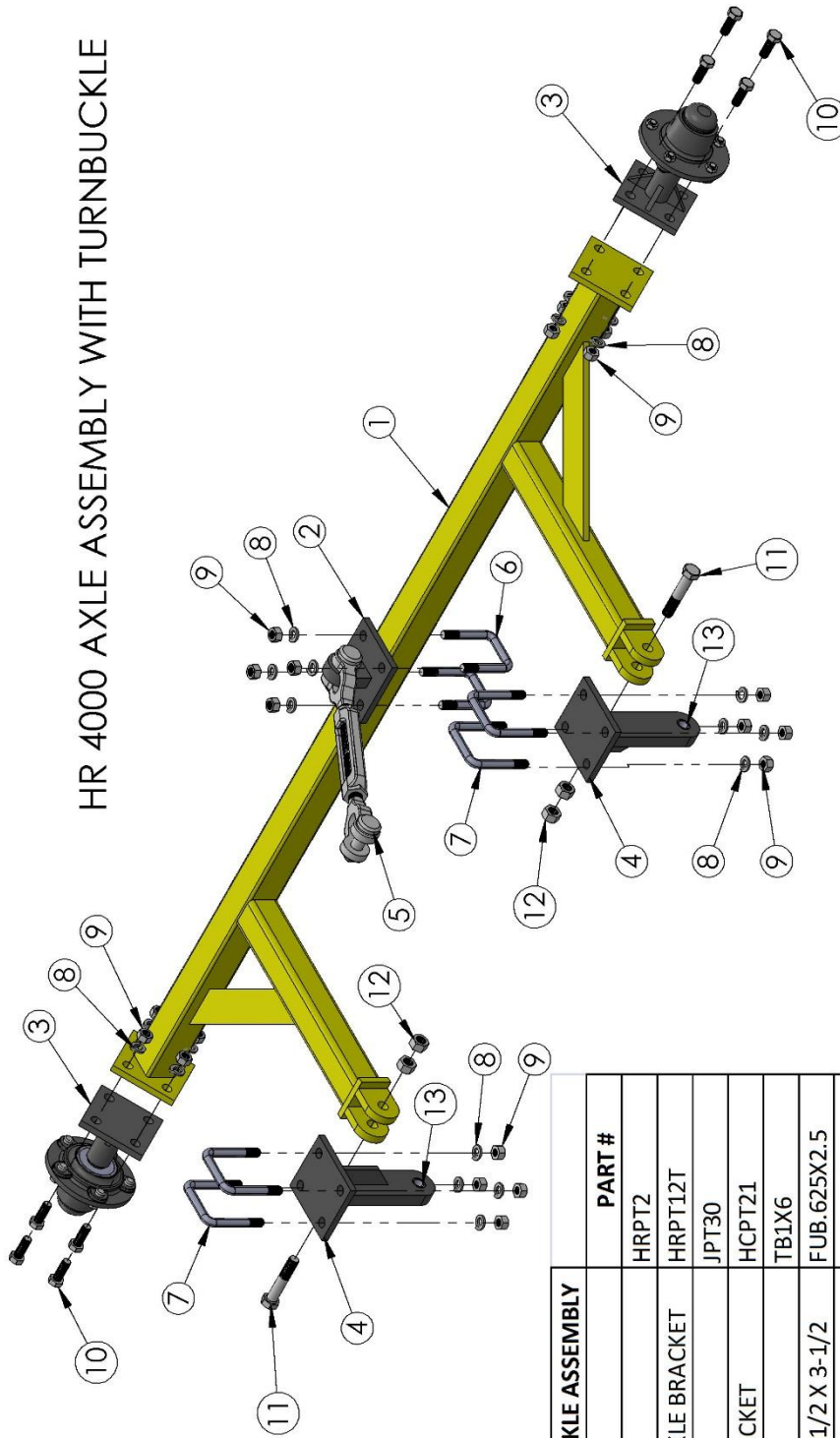


ITEM #	DESCRIPTION	PART #
1	POWER FRAME	HRPT3
2	POWER FRAME PLATES	HRPT11
3	MOTOR BRACKET (4 OR 5 UNITS)	HRPT9
4	MOTOR BRACKET (6 OR 7 UNITS)	HRPT19
5	CAPSCREW, 1/2 X 1-1/2	FCSV.5X1.5
6	LOCKWASHER, 1/2"	FLW.5
7	NUT, 1/2"	FNT.5
8	CAPSCREW, 5/8 X 5	FCSV.625X5
*9	CAPSCREW, 5/8 X 5-1/2	FCSV.625X5.5
10	LOCKWASHER, 5/8"	FLW.625
11	NUT, 5/8"	FNT.625
*12	FLAT CUT WASHER, 5/8	FCWP.625

*2 required when connecting to TIC100

DATE 4/15

HR 4000 AXLE ASSEMBLY WITH TURNBUCKLE



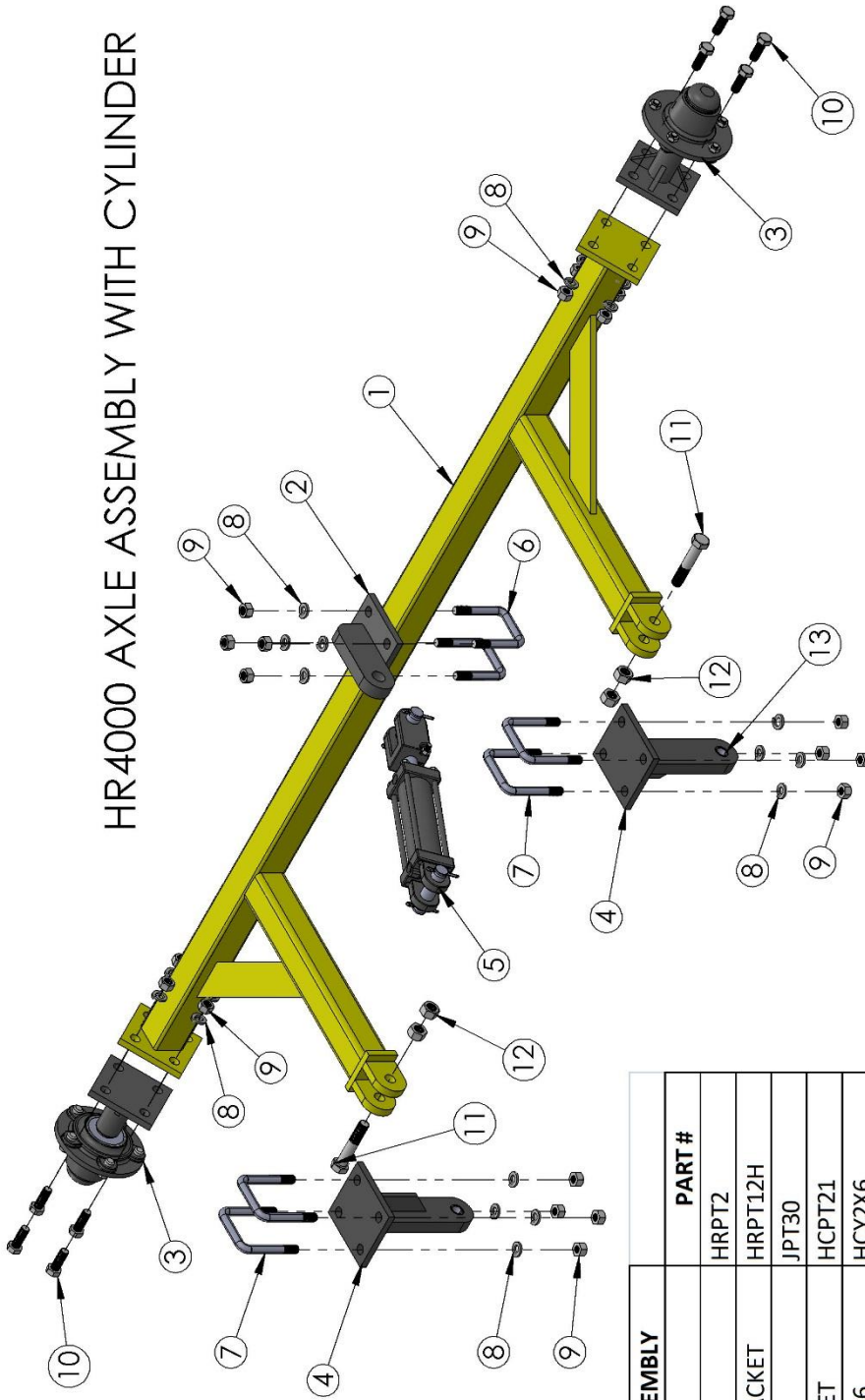
ITEM #	AXLE/TURNBUCKLE ASSEMBLY DESCRIPTION	PART #
1	AXLE	HRPT2
2	AXLE TURNBUCKLE BRACKET	HRPT12T
*3	HUB ASSEMBLY	JPT30
4	AXLE PIVOT BRACKET	HCPT21
5	TURNBUCKLE	TB1X6
6	U-BOLT, 5/8 X 2-1/2 X 3-1/2	FUB.625X2.5
7	U-BOLT, 5/8 X 3 X 4	FUB.625X3X4
8	LOCKWASHER, 5/8"	FLW.625
9	NUT, 5/8"	FNT.625
10	CAPSCREW, 5/8 X 2-1/2	FCSV.625X2.5
11	CAPSCREW, 3/4 X 4	FCSV.75X4
12	NUT, 3/4"	FNT.75
**13	BUSHING, 1 X 3/4 X 1	TB1X.75X1

*SEE JPT30 FOR BREAKDOWN

**INCLUDED IN HRPT21

DATE 4/15

HR4000 AXLE ASSEMBLY WITH CYLINDER

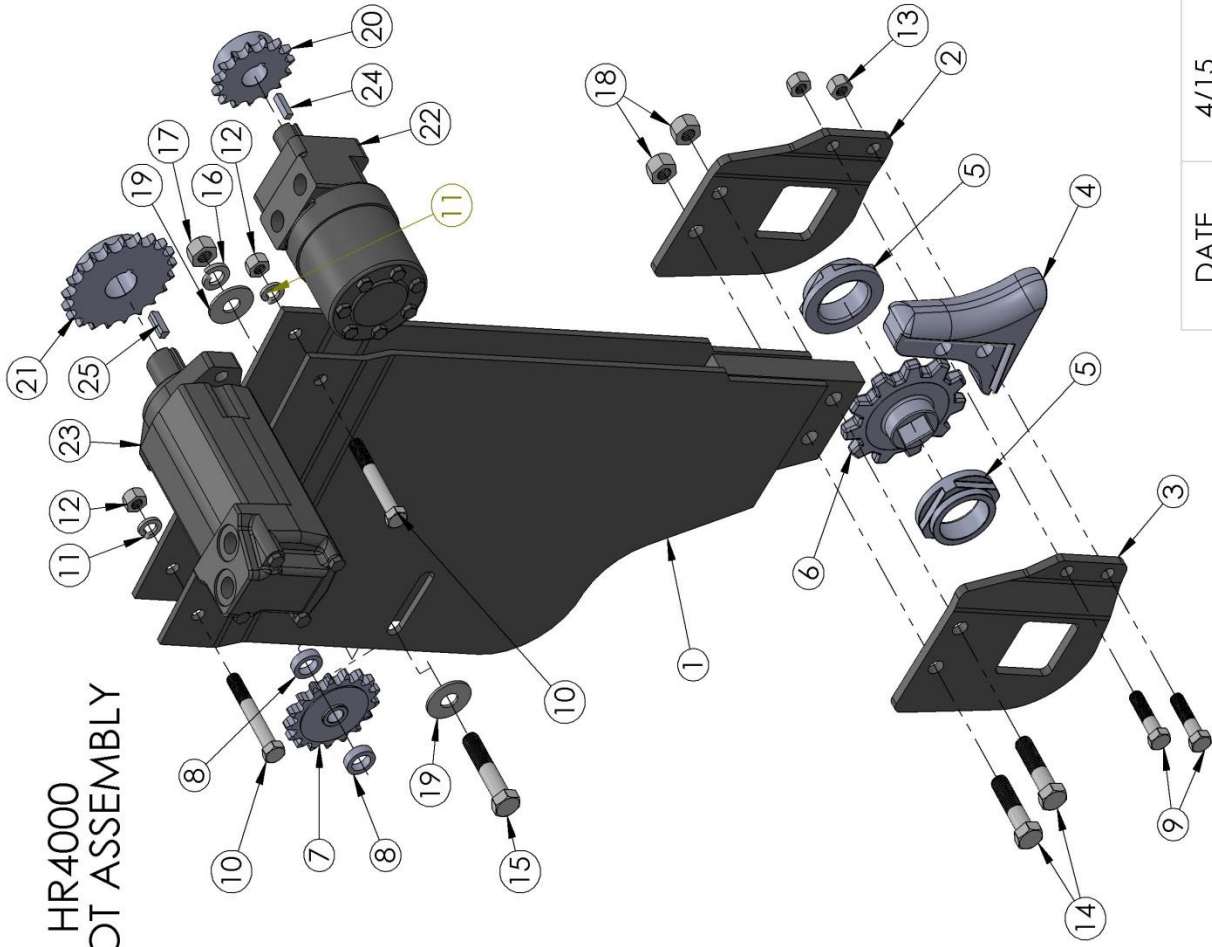


ITEM #	AXLE/CYLINDER ASSEMBLY DESCRIPTION	PART #
1	AXLE	HRPT2
2	AXLE CYLINDER BRACKET	HRPT12H
*3	HUB ASSEMBLY	JPT30
4	AXLE PIVOT BRACKET	HCPT21
**5	HYD. CYLINDER, 2 X 6	HCY2X6
6	U-BOLT, 5/8 X 2-1/2 X 3-1/2	FUB.625X2.5
7	U-BOLT, 5/8 X 3 X 4	FUB.625X3X4
8	LOCKWASHER, 5/8"	FLW.625
9	NUT, 5/8"	FNT.625
10	CAPSCREW, 5/8 X 2-1/2	FCSV.625X2.5
11	CAPSCREW, 3/4 X 4	FCSV.75X4
12	NUT, 3/4"	FNT.75
***13	BUSHING, 1 X 3/4 X 1	TB1X.75X1
	* SEE JPT30 FOR BREAKDOWN	
	**SEE 2 X 6 CYLINDER FOR BREAKDOWN	
	***INCLUDED IN HRPT21	

DATE 4/15

1 2 3 4 5

HR4000 BOOT ASSEMBLY



ITEM #	BOOT ASSEMBLY DESCRIPTION	PART #
1	BOOT	HRPT4
2	LEFT BOOT PLATE	BOOTPLLT
3	RIGHT BOOT PLATE	BOOTPLRT
4	POINT	SHOECULTA
5	COLLAR	COLLAR
6	ROD SPROCKET	SPRKT1SQX11
7	IDLER SPROCKET	SPRKTIDLE.625
8	IDLER WASHER	HRPT18
9	CAPSCREW, 1/2 X 2	FCSV.5X2
10	CAPSCREW, 1/2 X 3-1/2	FCSV.5X3.5
11	LOCKWASHER, 1/2"	FLW.5
12	NUT, 1/2"	FNT.5
13	CROWN LOCK NUT, 1/2"	FNTLC.5
14	CAPSCREW, 5/8 X 2-1/4	FCSV.625X2.25
15	CAPSCREW, 5/8 X 3	FCSV.625X3
16	LOCKWASHER, 5/8"	FLW.625
17	NUT, 5/8"	FNT.625
18	CROWN LOCK NUT, 5/8"	FNTLC.625
19	FLAT CUT WASHER, 5/8"	FCSP.625
*20	1" X 15 DRIVE SPROCKET	SPKDR1X15
**21	1-1/4 X 21 DRIVE SPROCKET	SPKDR1.25X21
*22	HYDRAULIC MOTOR	HM
**23	HYDRAULIC MOTOR	HMC2000
*24	KEY, 1/4 X 1"	KEY.25
**25	STEP KEY, 5/16 X 1/4 X 1	KEYS.313X.25
*	SEAL KIT	HMSK
**	SEAL KIT, CHARLYNN	HMC2000SK
**	SEAL KIT, BERENDSON	HMB400SK
	2050 ROLLER CHAIN (not shown)	CHAIN2050

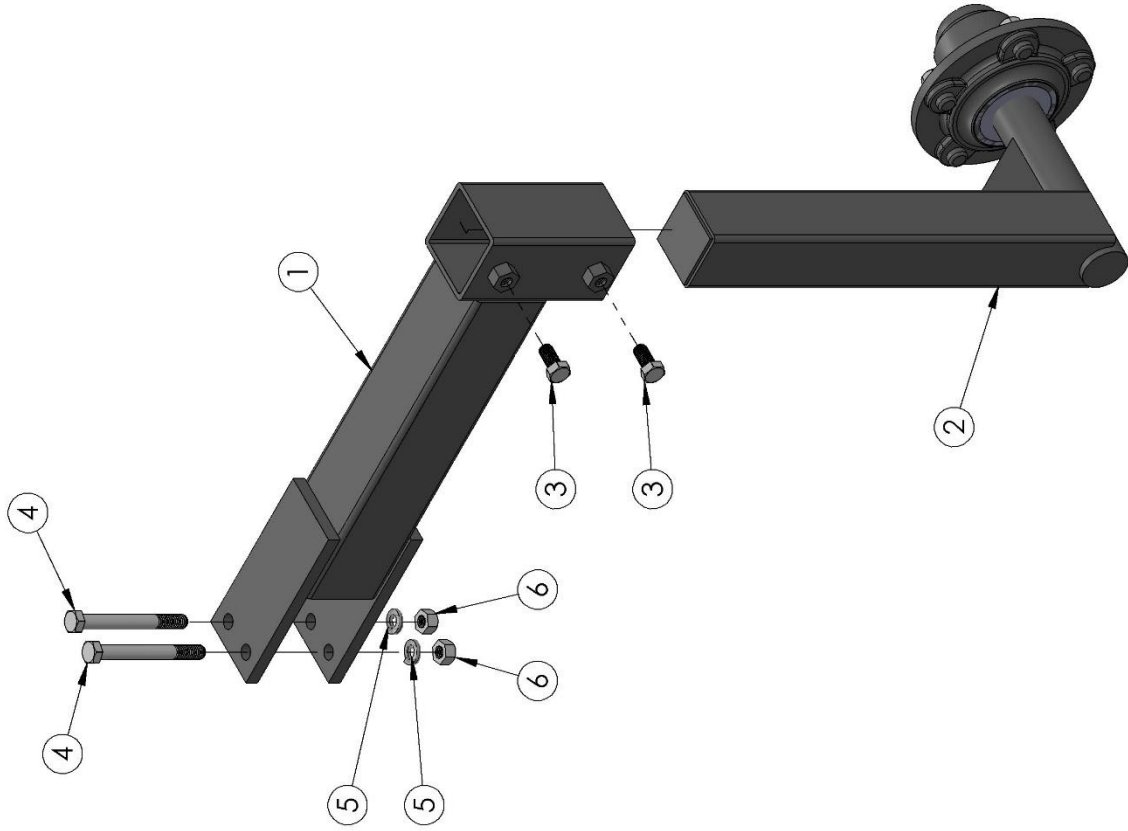
*USED WITH 4 OR 5 WEEDERS

**USED WITH 6 OR 7 WEEDERS

DATE 4/15

1 2 3 4 5

HR4000 STABILIZER WHEEL ASSEMBLY



ITEM #	STABILIZER WHEEL DESCRIPTION	STOESS PART #
1	Stabilizer Wheel Brkt	HRPT7
2	Stabilizer Wheel	HRPT8
3	Cap screw, 1/2 x 1	FCSV.5X1
4	Cap screw, 1/2 x 4-1/2	FCSV.5X4.5
5	Lockwasher, 1/2"	FLW.5
6	Nut, 1/2"	FNT.5
NP	Mounted 11L X 15 10 ply tire	EPT11-10
	See JPT30 for breakdown of spindle and hub.	

DATE 4/15

1

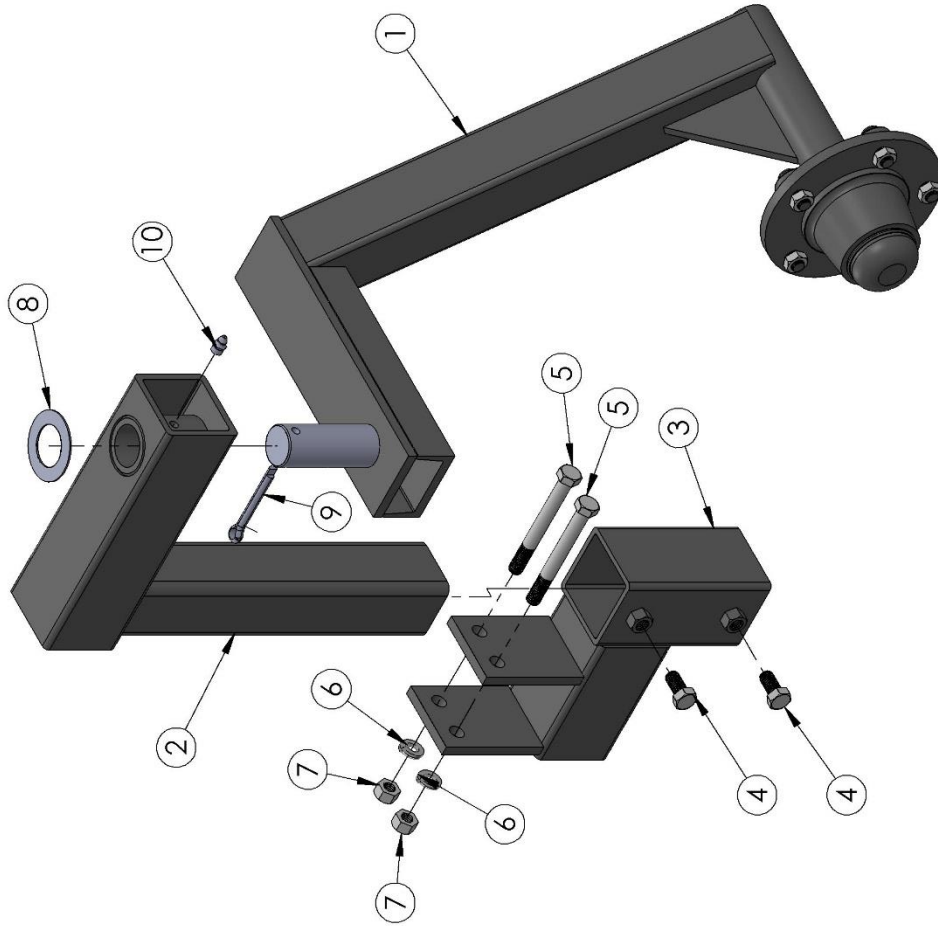
2

3

4

5

HR4000 CASTER WHEEL ASSEMBLY



ITEM #	CASTER WHEEL DESCRIPTION	STOESS PART #
1	Caster Wheel	HRPT15
2	Caster Wheel Brkt.	HRPT16
3	Caster Wheel Frame Brkt.	HRPT17A
4	Cap screw, 1/2 x 1	FCSV .5X1
5	Cap screw, 1/2 x 4-1/2	FCSV .5X4.5
6	Lockwasher, 1/2"	FLW.5
7	Nut, 1/2"	FNT.5
8	Torrington Washer	TWTRB-2435
9	Cotter pin	FCOT.313X2.5
10	Zerk	ZERK.125P
NP	Mounted 11L X 15 10 ply tire	EPT11-10
	See JPT30 for breakdown of spindle and hub.	

DATE 4/15

1

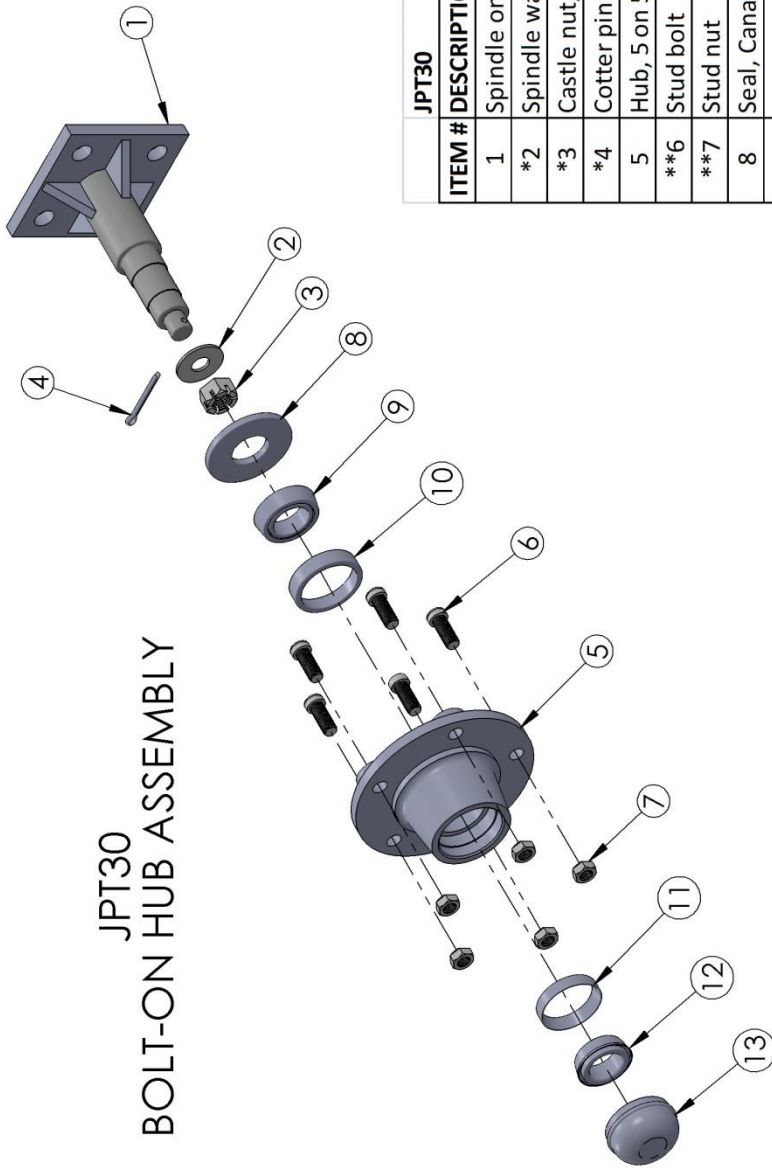
2

3

4

5

JPT30 BOLT-ON HUB ASSEMBLY



ITEM #	JPT30 DESCRIPTION	STOESS PART #	CROSS REF. #
1	Spindle on square plate	JSA4	
*2	Spindle washer	SW2.75	
*3	Castle nut, 3/4"	NUTSPIN.75-16	
*4	Cotter pin	FCOT.188X1.5	
5	Hub, 5 on 5-1/2	HUB5-5.5	
**6	Stud bolt	BOLTSTUD	
**7	Stud nut	NUTSTUD	
8	Seal, Canadian Tool & Die	SEALCTD	CR17618
8	Seal, French & Hecht	SEALF&H	CR15209
8	Seal, Electric Wheel	SEALEWC	CR15190
**9	Inner bearing	BEARL	LM48548
**10	Inner race	RACEL	LM48510
**11	Outer race	RACES	LM67010
**12	Outer bearing	BEARS	LM67048
**13	Hub cap	HUBCAP	
	* Included in spindle		
	** Included in hub		

Check imprint lettering on hub to determine correct seal.

DATE 4/15

1

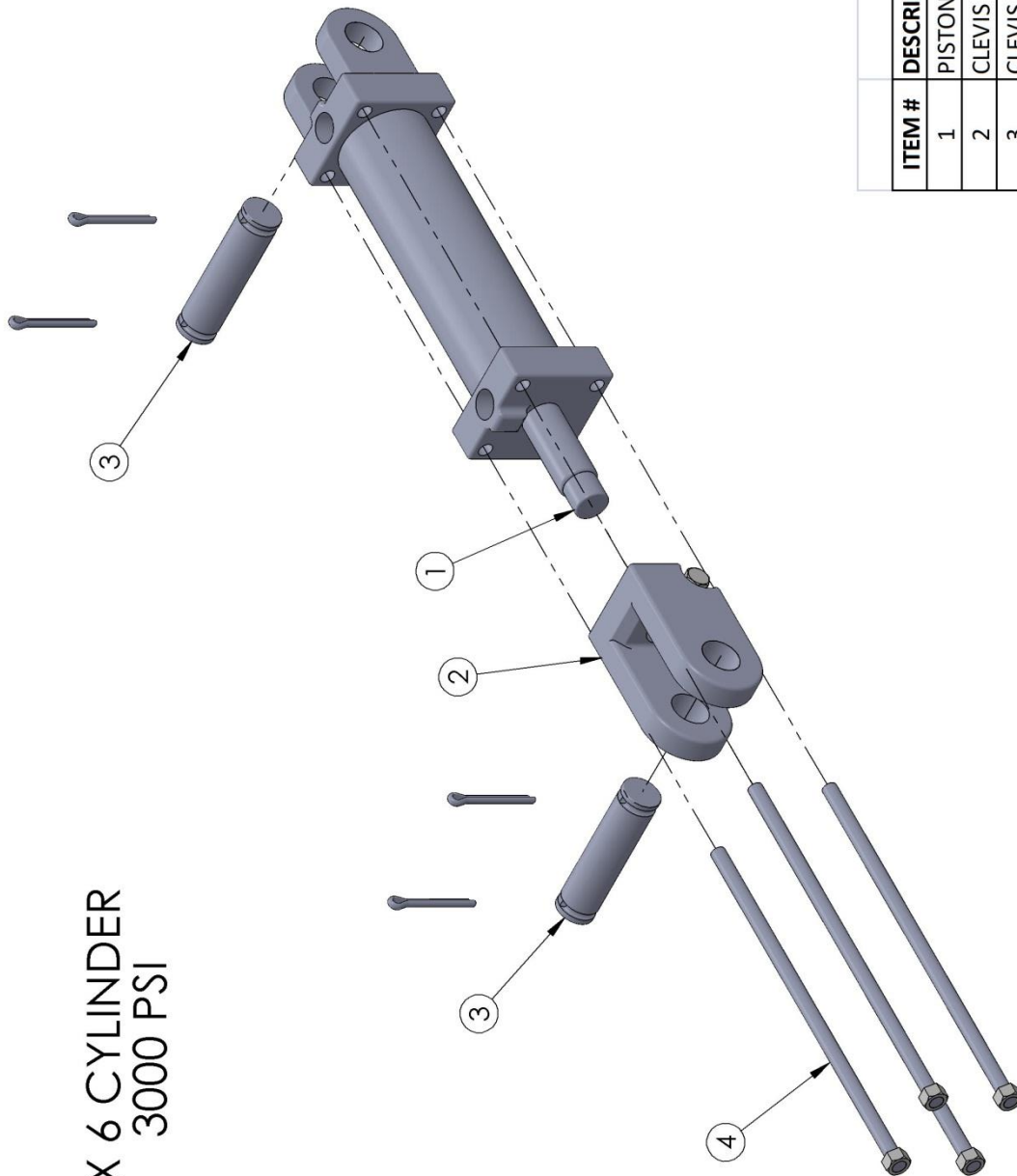
2

3

4

5

2 X 6 CYLINDER
3000 PSI



ITEM #	DESCRIPTION	2 X 6 CYLINDER
1	PISTON ROD	HCYL2X6
2	CLEVIS	HCYLSHAFT2X6
3	CLEVIS PIN/PINS	HCLEVIS2
4	TIE ROD	HCLV/PIN1
NP	SEAL KIT	HICYTR6
		HICYK2-3000

DATE 4/15

1
2
3
4
5