

# **STOESS MFG INC.**

## **Mielke Mulcher PARTS MANUAL**

REVISED JANUARY 2016

**Stoess Manufacturing Inc.**

225 W. North Street  
Washtucna, WA 99371  
1-888-771-2314

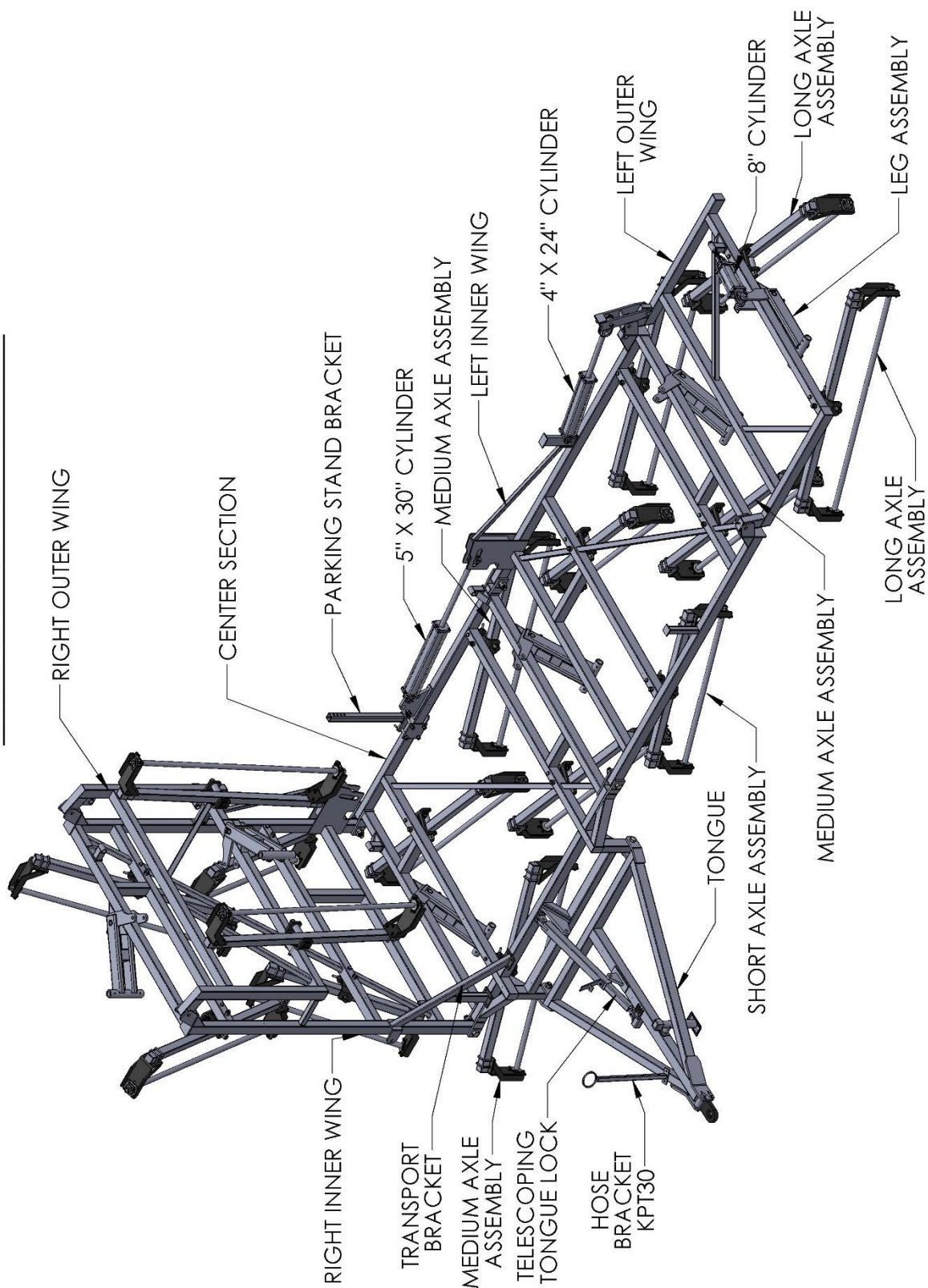
Printed in the United States of America

# TABLE OF CONTENTS

## Mulcher

<a href="#"><u>GENERALIZED OVERVIEW</u></a> -----	Page 3
<a href="#"><u>TONGUE &amp; CENTER SECTION</u></a> -----	Page 4
<a href="#"><u>WINGS</u></a> -----	Page 5
<a href="#"><u>LEG ASSEMBLIES</u></a> -----	Page 6
<a href="#"><u>KPT28 MULCHER HUB ASSEMBLY</u></a> -----	Page 7
<a href="#"><u>MULCHER AXLE PARTS</u></a> -----	Page 8
<a href="#"><u>TELESCOPING TONGUE LOCK ASSEMBLY</u></a> -----	Page 9
<a href="#"><u>TRANSPORT BRACKET ASSEMBLY</u></a> -----	Page 10
<a href="#"><u>PARKING STAND ASSEMBLY</u></a> -----	Page 11
<a href="#"><u>8" CYLINDERS</u></a> -----	Page 12
<a href="#"><u>4 X 24" CYLINDERS</u></a> -----	Page 13
<a href="#"><u>5 X 30" CYLINDER</u></a> -----	Page 14
<a href="#"><u>SPIDERS</u></a> -----	Page 15

# GENERALIZED OVERVIEW



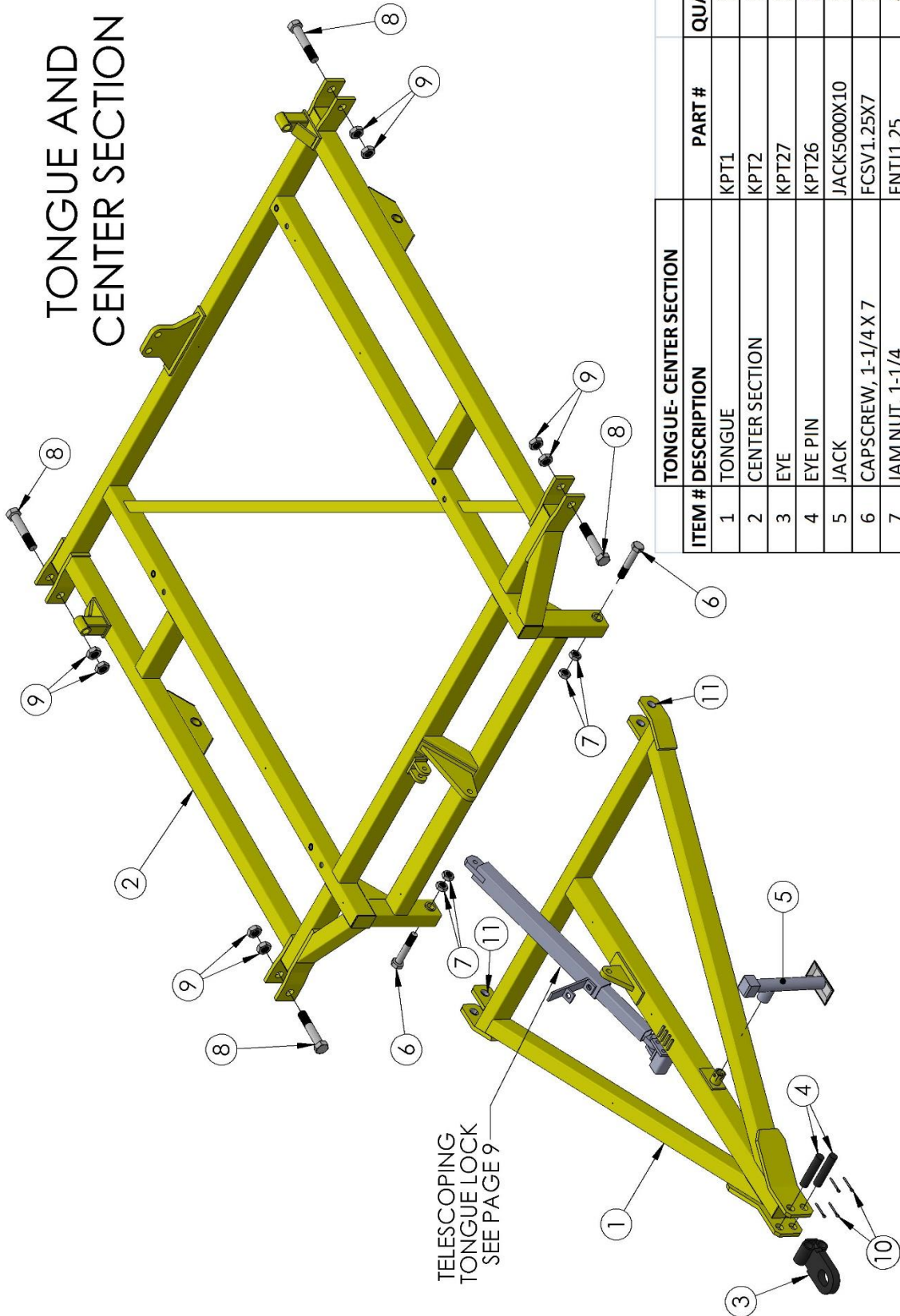
PAGE 3

PAGE 3

DATE 1-16

1 2 3 4 5

# TONGUE AND CENTER SECTION



PAGE 4

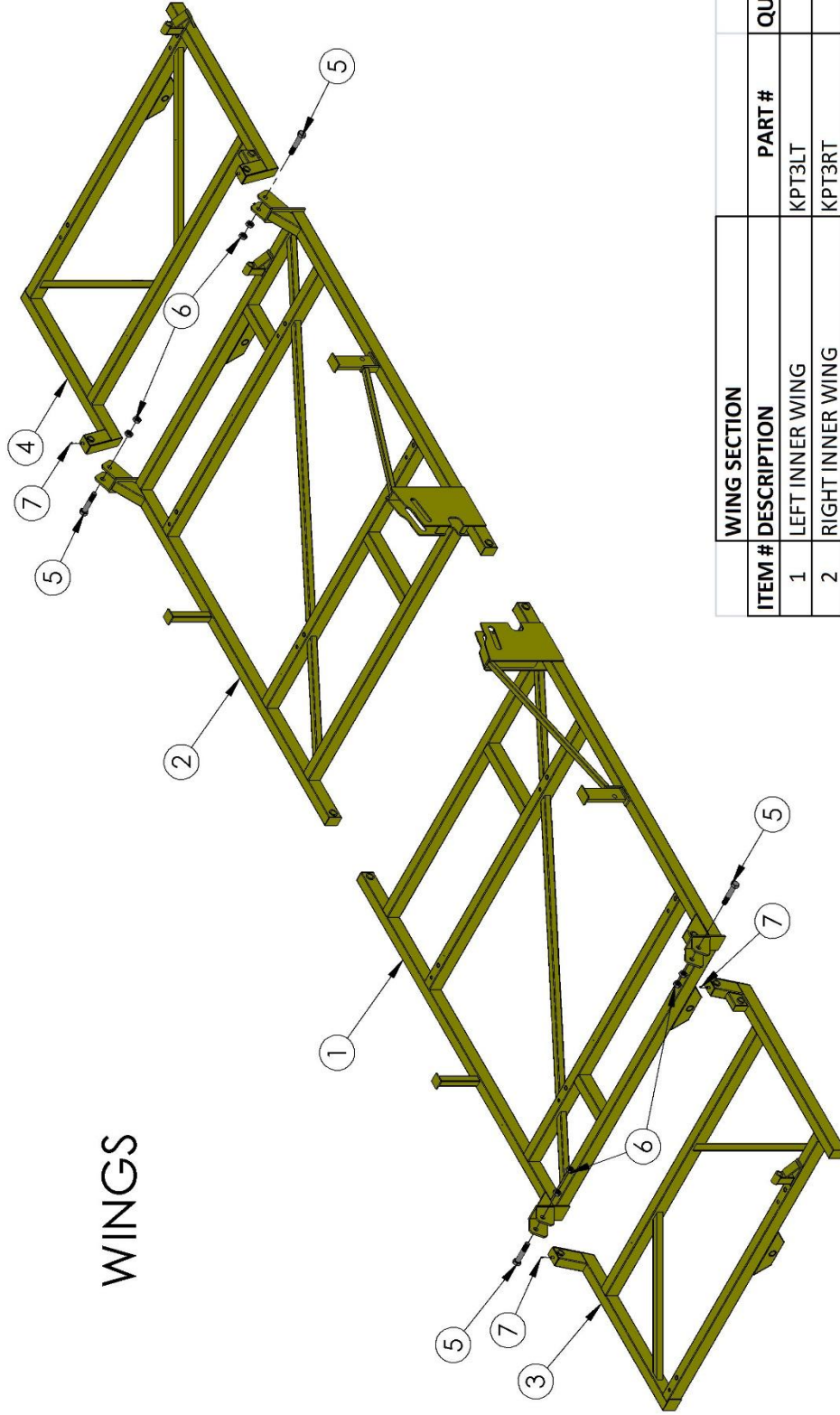
TELESCOPING  
TONGUE LOCK  
SEE PAGE 9

TONGUE- CENTER SECTION		PART #	QUANT.
1	TONGUE	KPT1	1
2	CENTER SECTION	KPT2	1
3	EYE	KPT27	1
4	EYE PIN	KPT26	2
5	JACK	JACK5000X10	1
6	CAPSCREW, 1-1/4 X 7	FCSV1.25X7	2
7	JAM NUT, 1-1/4	FNTJ1.25	4
8	CAPSCREW, 1-1/2 X 8	FCSV1.5X8	4
*9	JAM NUT, 1-1/2	FNTJ1.5	8
10	COTTER PIN, 5/16	FCOT.313X2.5	4
11	BUSHING, 1-5/8 X 1-1/4 X 3/4	TB1.625X1.25X.75	4

DATE 1/16

PAGE 4

# WINGS



ITEM #	WING SECTION DESCRIPTION	PART #	QUANT.
1	LEFT INNER WING	KPT3LT	1
2	RIGHT INNER WING	KPT3RT	1
3	LEFT OUTER WING	KPT4LT	1
4	RIGHT OUTER WING	KPT4RT	1
5	CAPSCREW, 1-1/4 X 6-1/2	FCSV1.25X6.5	4
6	JAM NUT, 1-1/4	FNTJ1.25	8
7	ZERK, 1/8 PIPE	ZERK.125P	4

PAGE 5

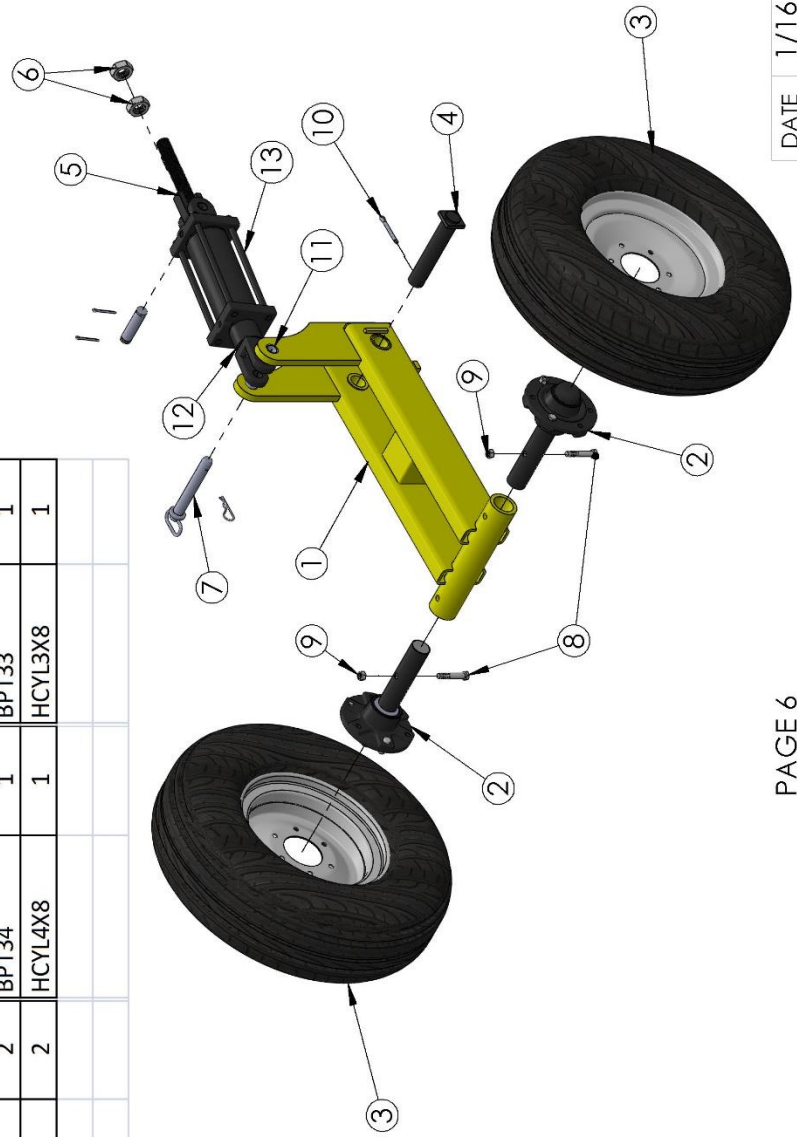
PAGE 5

DATE 1/16

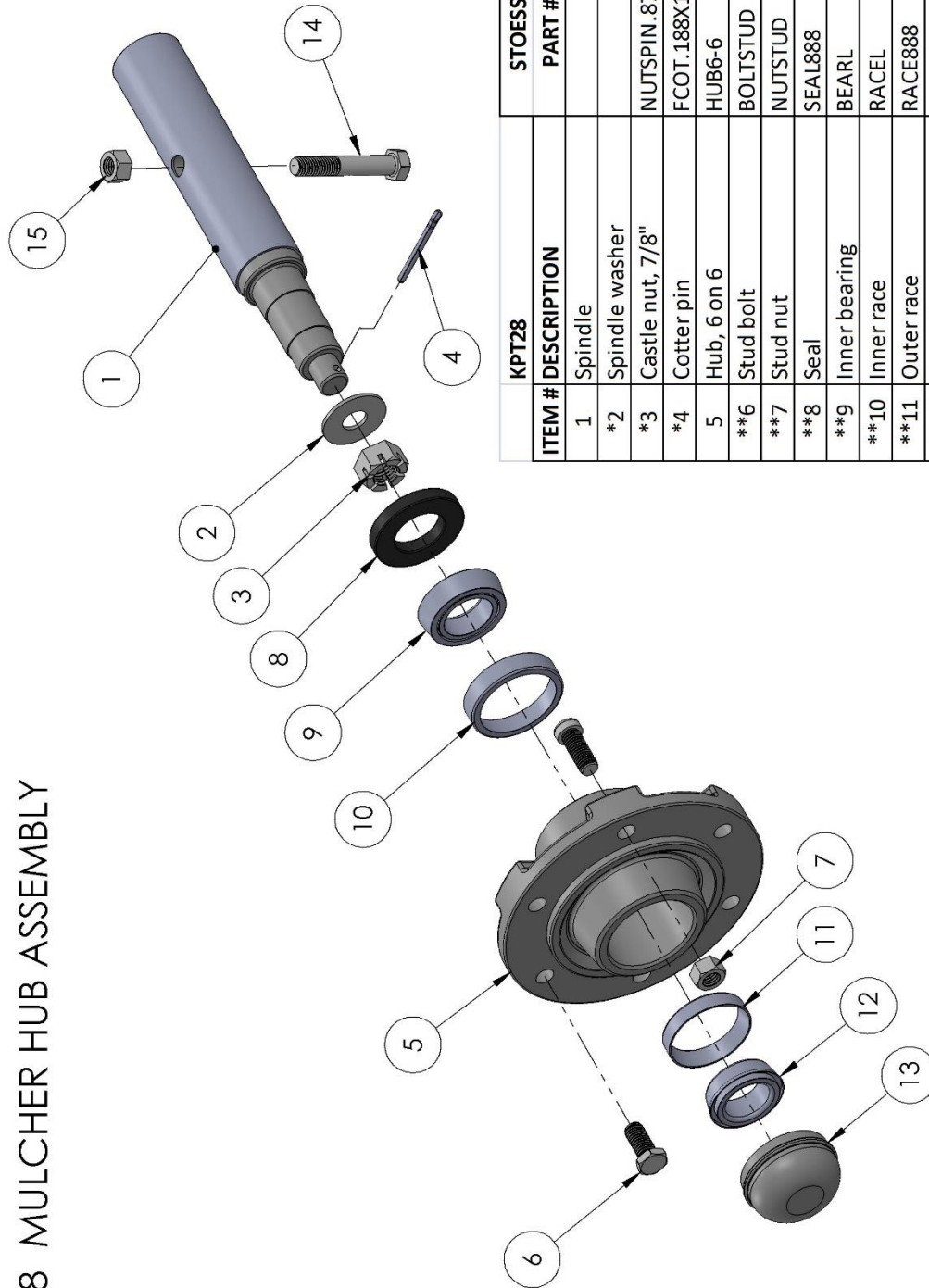
# LEG ASSEMBLIES

LEG ASSEMBLIES	CENTER SECTION	INNER WING	OUTER WING
ITEM #	DESCRIPTION	PART #	*QUANT.
1	LEG	KPT12A	2
**2	HUB ASSEMBLY	KPT28	4
3	MOUNTED TIRE	EPT9-8H	4
4	LEG PIN	KPT38	2
5	CYLINDER EYE	HCPT57	2
6	JAM NUT, 1"	FNTJ1	4
7	HITCH PIN 1X6	FHP1X6	2
8	CAP SCREW, 1/2 X 3-1/2	FCSV.5X3.5	4
9	LOCK NUT, 1/2"	FNTLN.5	4
10	COTTER PIN, 5/16 X 2-1/2	FCOT.313X2.5	2
11	BUSHING, 1-1/4 X 1 X 1	TB1.125X1X1	4
12	CYLINDER STOP	BPT34	2
***13	CYLINDER	HCYL4X8	2
	* REQUIRED PER WING		
	** SEE PAGE 5		

PAGE 6



# KPT28 MULCHER HUB ASSEMBLY



PAGE 7

ITEM #	DESCRIPTION	STOESS PART #	CROSS REF. #
1	Spindle		
*2	Spindle washer		
*3	Castle nut, 7/8"	NUTSPIN.875	
*4	Cotter pin	FCOT.188X1.5	
5	Hub, 6 on 6	HUB6-6	
**6	Stud bolt	BOLTSTUD	
**7	Stud nut	NUTSTUD	
**8	Seal	SEAL888	
**9	Inner bearing	BEARL	LM48548
**10	Inner race	RACEL	LM48510
**11	Outer race	RACE888	
**12	Outer bearing	BEAR888	
**13	Hub cap	HUBCAP6	
14	Capscrew, 1/2 X 3-1/2	FCSV.5X3.5	
15	Nylock nut, 1/2"	FNTLN.5	

\* Included in spindle

\*\*Included in hub

PAGE 7

DATE 1/16

1

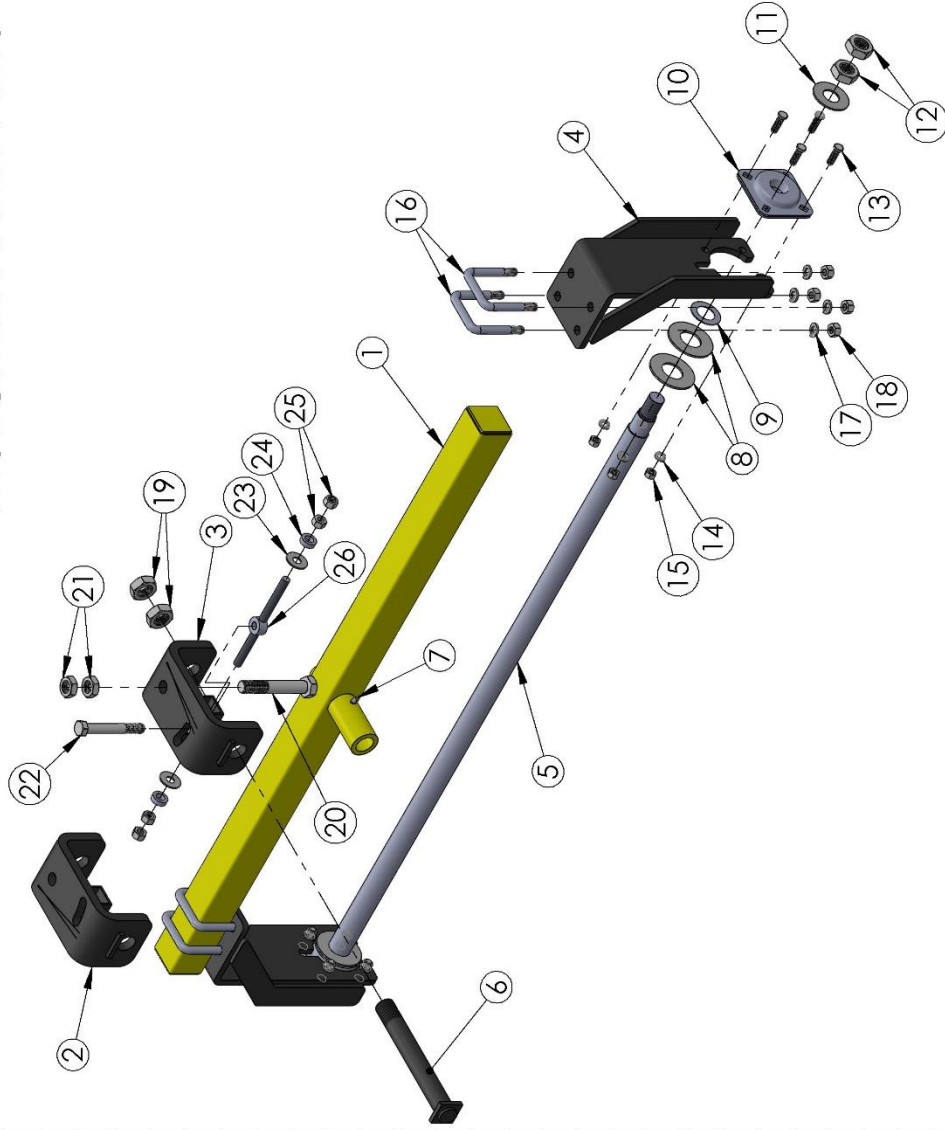
2

3

4

5

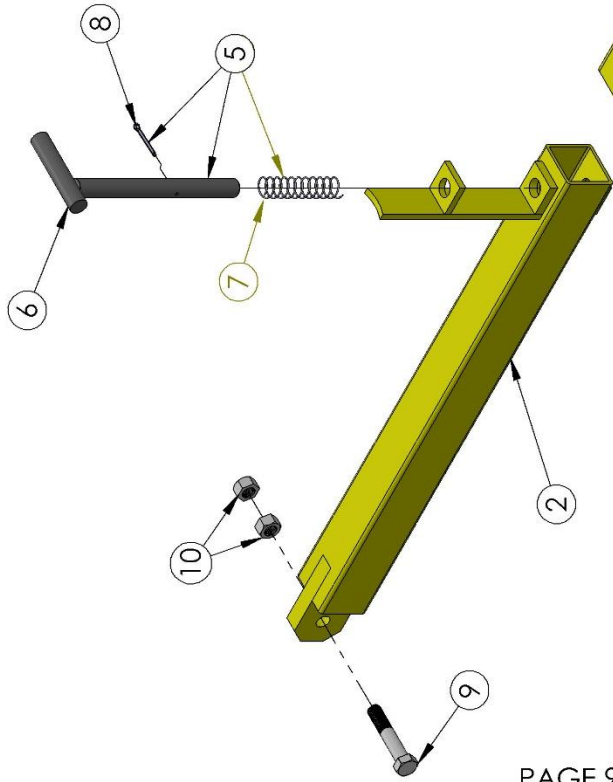
# MULCHER AXLE PARTS



ITEM #	MULCHER AXLE ASSEMBLY DESCRIPTION	PART #
1	TOOL BAR (58-1/2")	KPT8
1	TOOL BAR (83-1/2")	KPT9
1	TOOL BAR (88-3/4")	KPT10
2	LEFT HANGER BRACKET	KPT13LT
3	RIGHT HANGER BRACKET	KPT13RT
4	AXLE HANGER	KPT11
5	SHORT AXLE (63-1/2")	K100A
5	MEDIUM AXLE (83-1/2")	K101A
5	LONG AXLE (88-3/4")	K102A
6	PIN	HCPT10
7	ZERK (INCLUDED)	ZERK.125P
8	FLAT WASHER, 1-5/8	FCWP1.625
9	TORRINGTON WASHER	TWTRB-2435
10	SIDE THRUST BEARING	BEARTHURST
11	FLAT WASHER, 1-1/4	FCWP1.25
12	JAM NUT, 1-1/4	FNTJ1.125
13	CARRIAGE BOLT, 1/2 X 1-1/2	FCB.5X1.5
14	LOCKWASHER, 1/2"	FLW.5
15	NUT, 1/2"	FNT.5
16	U-BOLT, 5/8 X 3 X 4	FUBS.625X3X4
17	LOCKWASHER, 5/8"	FLW.625
18	NUT, 5/8"	FNT.625
19	JAM NUT, 1-1/2"	FNTJ1.5
20	CAP SCREW, 1 X 6	FCSV1X6
21	JAM NUT, 1"	FNTJ1
22	CAPSCREW, 3/4 X 5-1/2"	FCSV.75X5.5
*23	FLAT WASHER, 5/8"	FCWP.625
*24	SPACER	KPT16
*25	NUT, 5/8"	FNT.625
*26	VARIABLE PITCH BOLT	KSA31
*INCLUDED IN KPT15 (VARIABLE PITCH ASSEMBLY)		



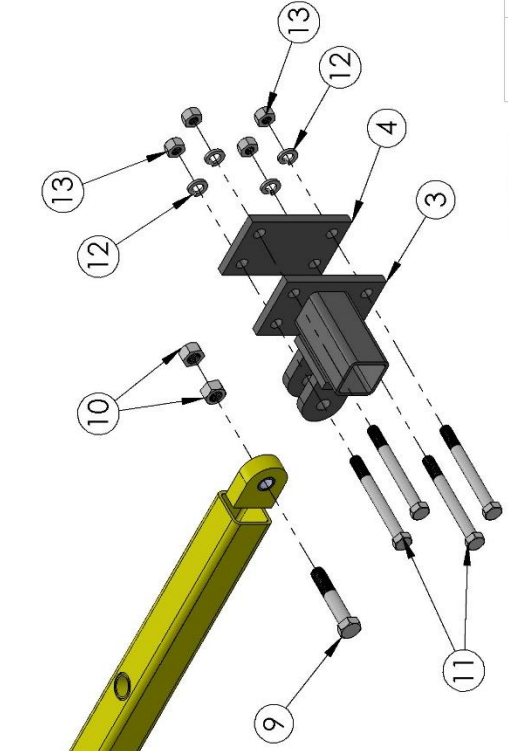
# TELESCOPING TONGUE LOCK ASSEMBLY



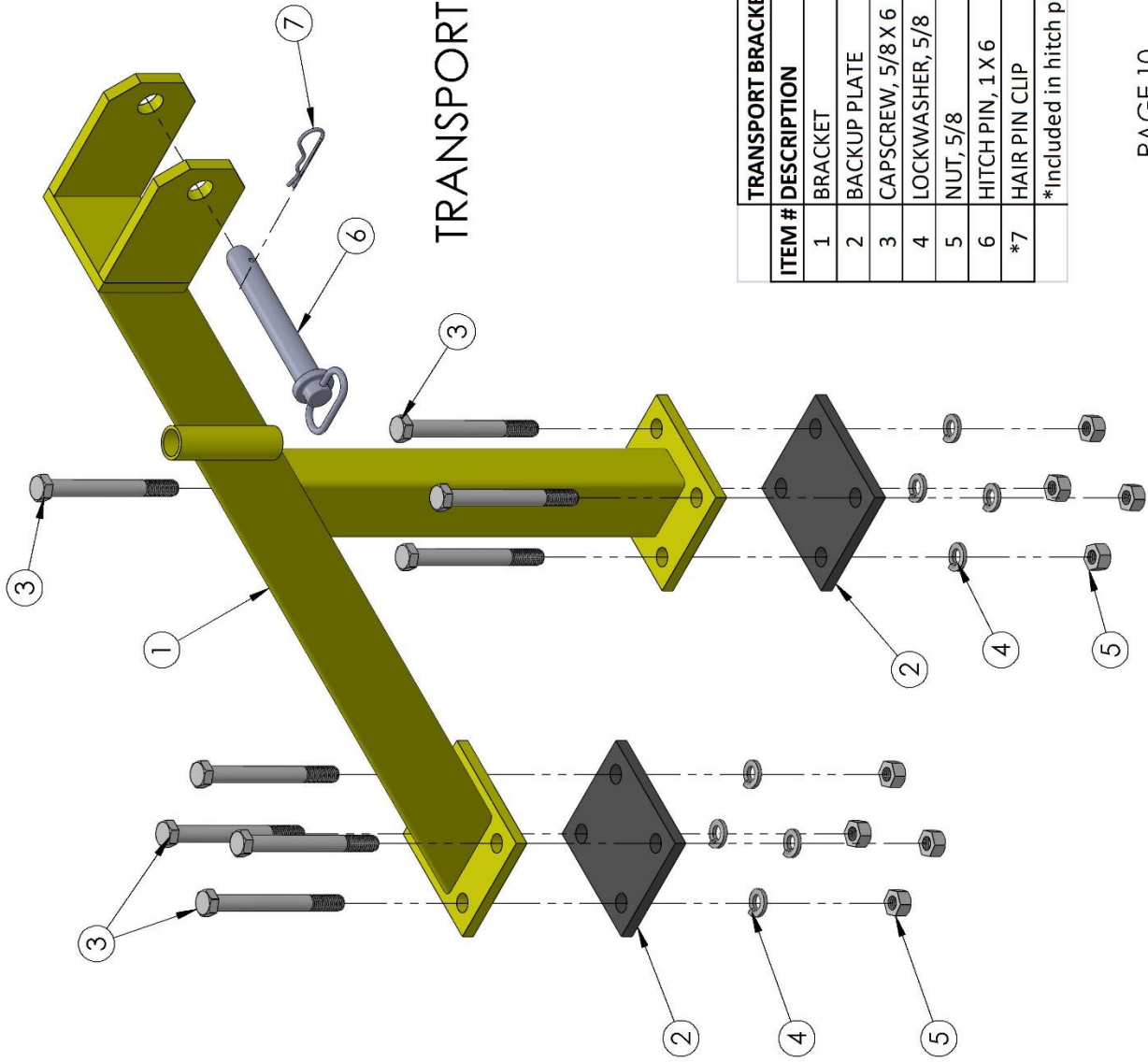
PAGE 9

ITEM #	KPT35 TONGUE LOCK DESCRIPTION	PART #	QUANT.
1	2-1-2 SQUARE TUBE	KPT32	1
2	3" SQUARE TUBE	KPT33	1
3	BRACKET	KPT34	1
4	BACKUP PLATE	KPT36	1
5	SPRING PIN ASSEMBLY	HCPT96	1
*6	PIN	HCSA84	1
*7	SPRING	SP.105X1X5	1
*8	COTTER PIN, 3/16 X 1-1/2	FCOT.188X1.5	1
9	CAP SCREW, 3/4 X 4	FCSV.75X4	2
10	NUT, 3/4	FNT.75	4
11	CAP SCREW, 5/8 X 6	FCSV.625X6	4
12	LOCKWASHER, 5/8	FLW.625	4
13	NUT, 5/8	FNT.625	4

\*Included in spring pin assembly



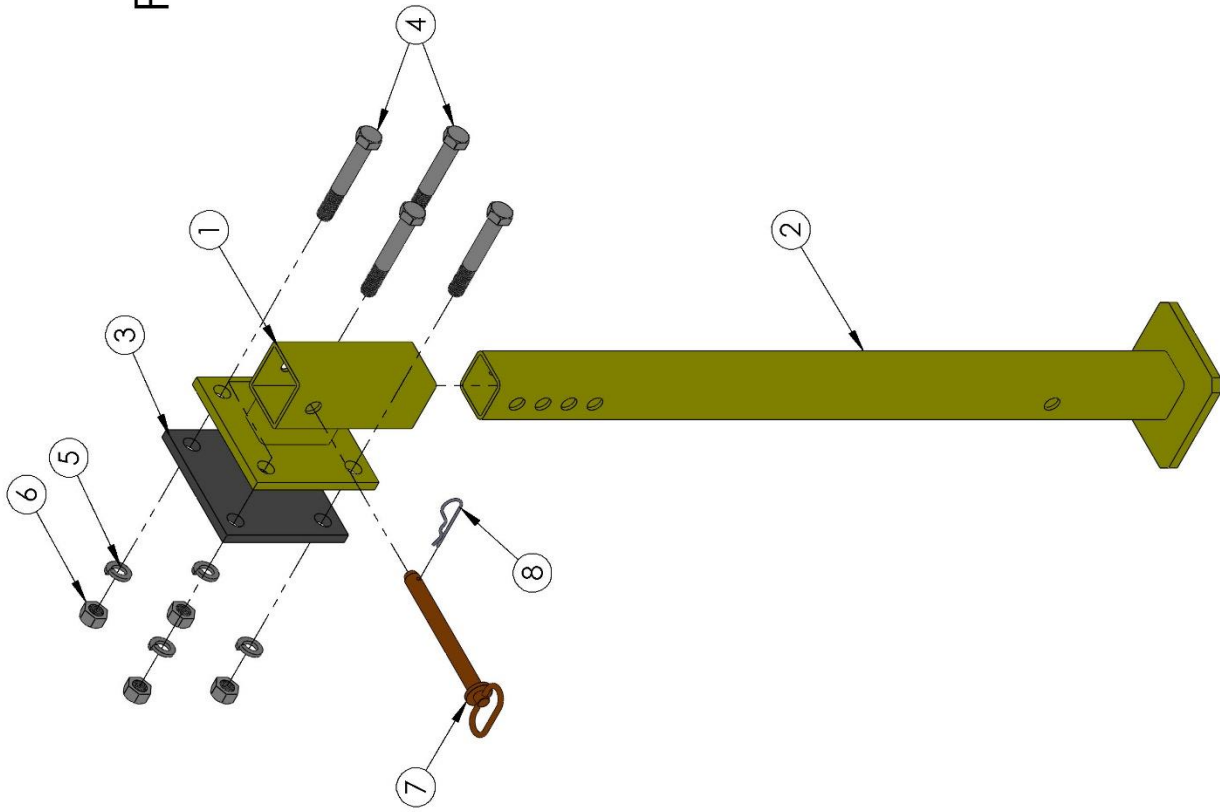
# TRANSPORT BRACKET ASSEMBLY



TRANSPORT BRACKET ASSEMBLY (2 PER UNIT)			
ITEM #	DESCRIPTION	PART #	QUANT.
1	BRACKET	KPT6	1
2	BACKUP PLATE	KPT39	2
3	CAPSCREW, 5/8 X 6	FCSV.625X6	8
4	LOCKWASHER, 5/8	FLW.625	8
5	NUT, 5/8	FNT.625	8
6	HITCH PIN, 1 X 6	FHP1X6	1
*7	HAIR PIN CLIP	FHPC.75	1

\*Included in hitch pin

# PARKING STAND ASSEMBLY



PAGE 11

PARKING STAND ASSEMBLY			
ITEM #	DESCRIPTION	PART #	QUANT.
1	BRACKET	KPT20	1
2	LEG	KPT21	1
3	BACKUP PLATE	KPT22	1
4	CAPSCREW, 3/4 X 5	FCSV.75X5	4
5	LOCKWASHER, 3/4	FLW.75	4
6	NUT, 3/4	FNT.75	4
7	HITCH PIN, 3/4 X 6	FHP.75X6	1
*8	HAIR PIN CLIP	FHPC.75	1
*Included in hitch pin			

PAGE 11

DATE 1/16

1

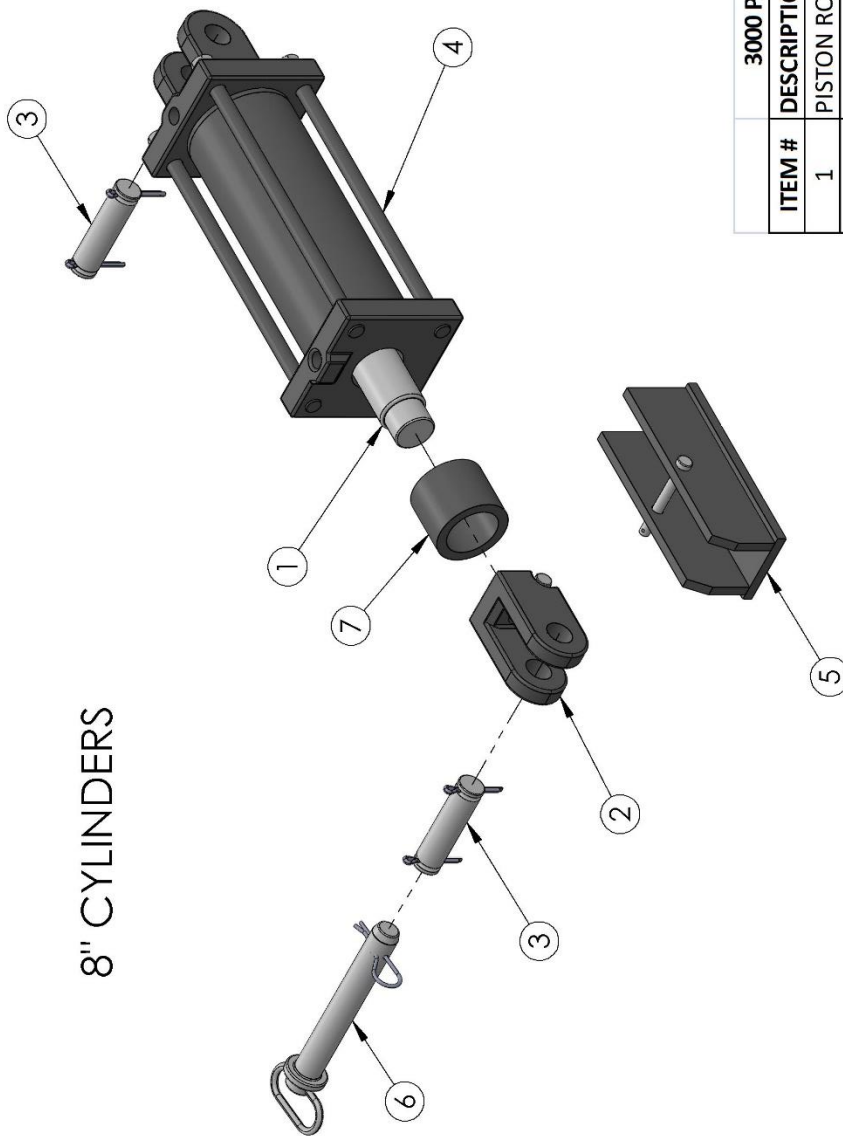
2

3

4

5

# 8" CYLINDERS



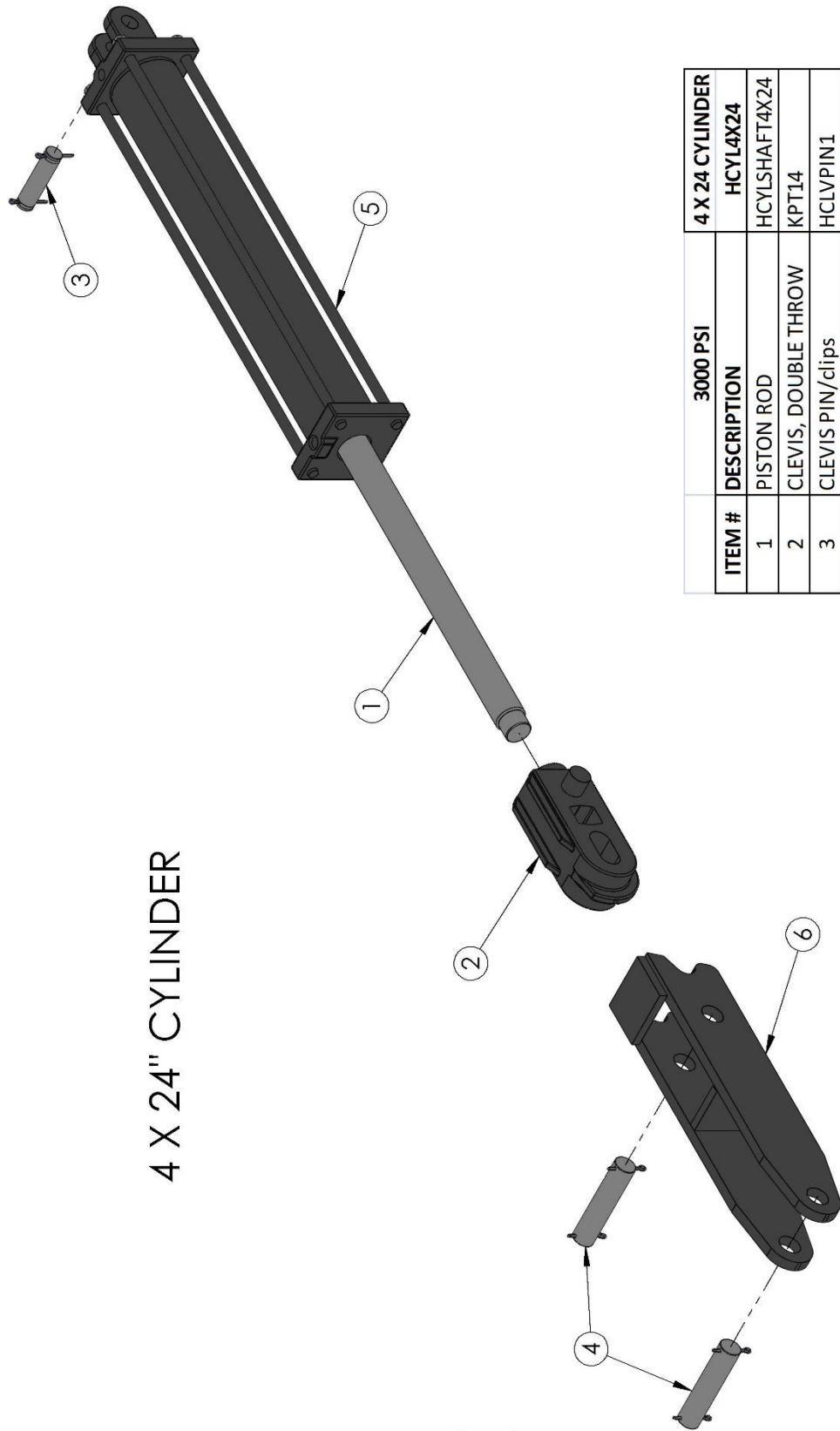
ITEM #	DESCRIPTION	3000 PSI	3 X 8 CYLINDER	4 X 8 CYLINDER
1	PISTON ROD	**HCYL3X8	HCYL3X8	HCYL4x8
2	CLEVIS	HCYL3X8	HCYL3X8	HCYL4x8
3	CLEVIS PIN/clips	HCLVPIN1	HCLVPIN1	HCLVPIN1
4	TIE ROD	HCYL3X8	HCYL3X8	HCYL4x8
*5	TRAVEL STOP			
***6	HITCH PIN, 1 X 6			
7	CYLINDER STOP	BPT33	BPT33	BPT34
NP	SEAL KIT	HCYL3-3000	HCYL3-3000	HCYL4-3000

\*Used on center section legs only. Includes 3/8 x 2-1/2 loxall pin.

\*\*Used on outer wing legs only.

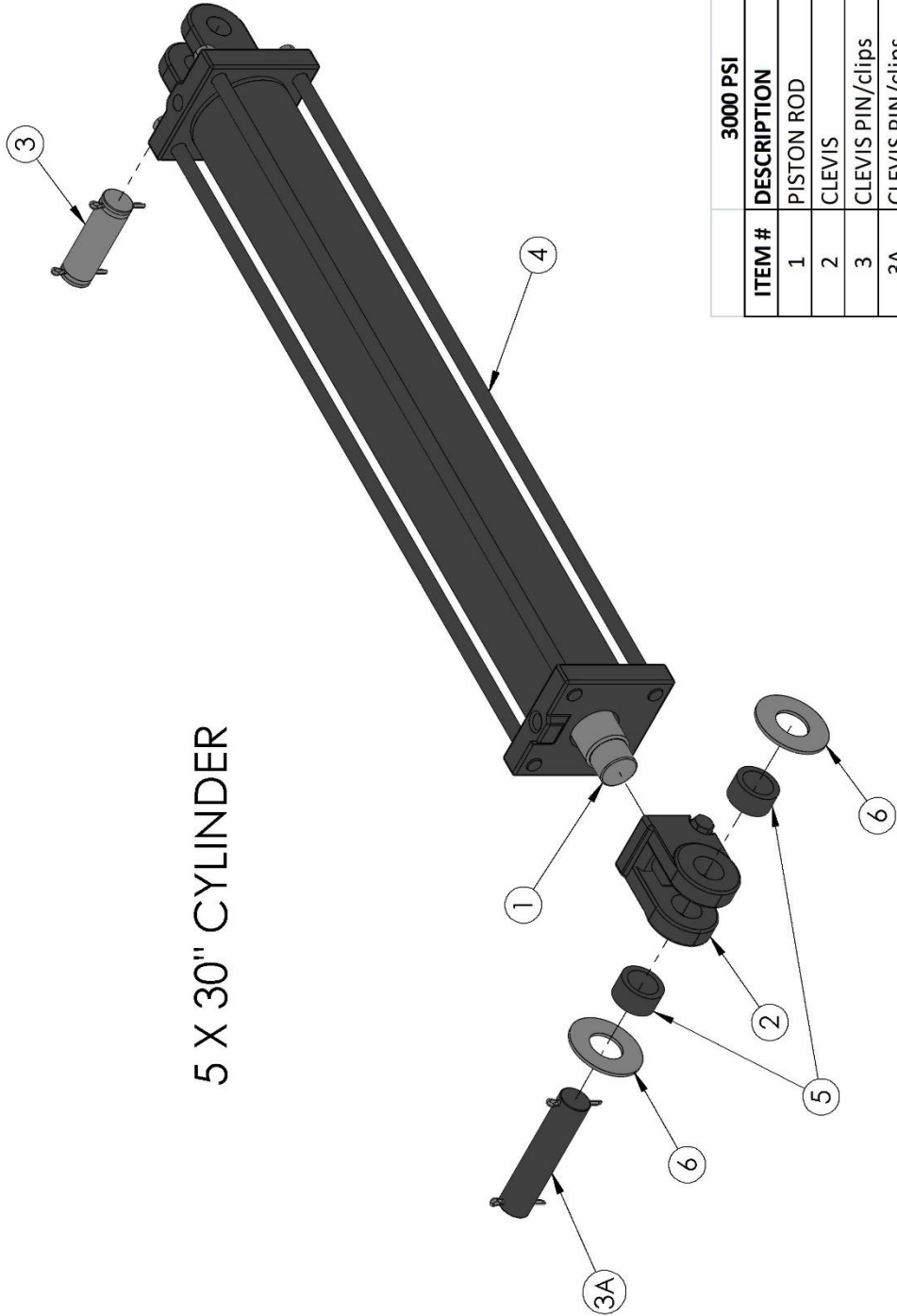
\*\*\*Used on legs only.

# 4 X 24" CYLINDER



ITEM #	DESCRIPTION	3000 PSI	4 X 24 CYLINDER
1	PISTON ROD		HCYL4X24
2	CLEVIS, DOUBLE THROW		HCYLSHAFT4X24
3	CLEVIS PIN/clips		KPT14
4	CLEVIS PIN/clips		HCLVPIN1
5	TIE ROD		KPT7
6	BRACKET, DOUBLE THROW		HICYTR8
NP	SEAL KIT		KPT5
			HICYK4-3000

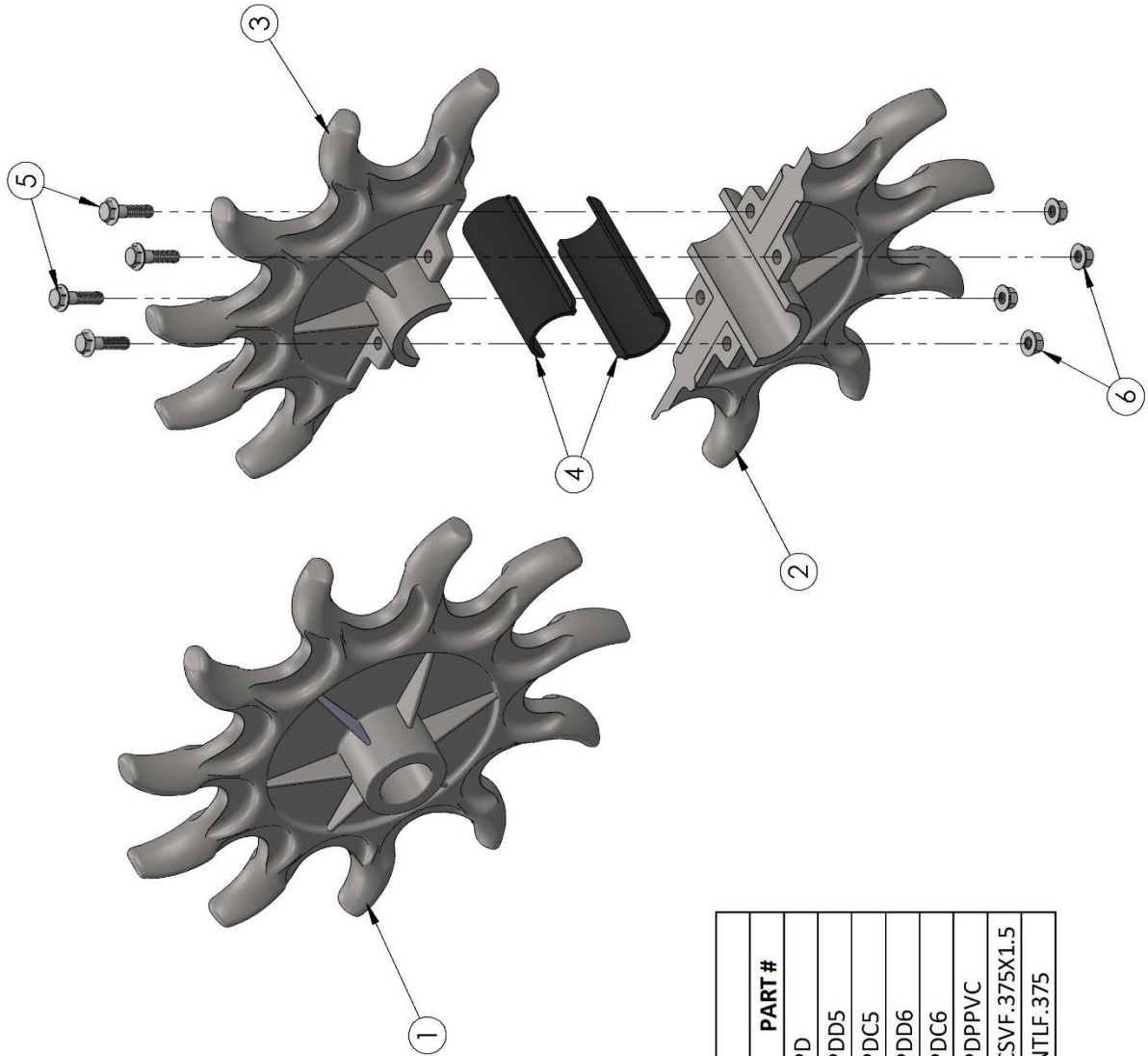
# 5 X 30" CYLINDER



3000 PSI		5 X 30 CYLINDER
ITEM #	DESCRIPTION	HCYL5X30
1	PISTON ROD	HCYL5X30
2	CLEVIS	HCLEVIS5
3	CLEVIS PIN/clips	HCLVPIN1.25
3A	CLEVIS PIN/clips	KPT31
4	TIE ROD	HYCYTR30
5	ROLLER	KPT17
6	FLAT WASHER, 1-1/4	FCWP1.25
NP	SEAL KIT	HYCYK5-3000

PAGE14

# SPIDERS



SPIDERS		PART #
ITEM #	DESCRIPTION	PART #
1	ONE-PIECE	SPD
2	DUCTILE 5-FINGER HALF	SPDD5
2	CHROME 5-FINGER HALF	SPDC5
3	DUCTILE 6-FINGER HALF	SPDD6
3	CHROME 6-FINGER HALF	SPDC6
4	PLASTIC HALF BUSHING	SPDPPVC
5	FLANGE BOLT, 3/8 X 1-1/2	FCSVF.375X1.5
6	LOCKING FLANGE NUT, 3/8"	FNTLF.375