

STOESS MFG INC.

PARTS CATALOG

"N" Series Hitches

FIRST ISSUED AUGUST 2015

Stoess Manufacturing Inc.

225 W. North Street
Washtucna, WA 99371
1-888-771-2314

Printed in the United States of America

TABLE OF CONTENTS

"N" Series Hitches

[N3WG](#) ----- Page 3

[N4WG](#) ----- Page 4

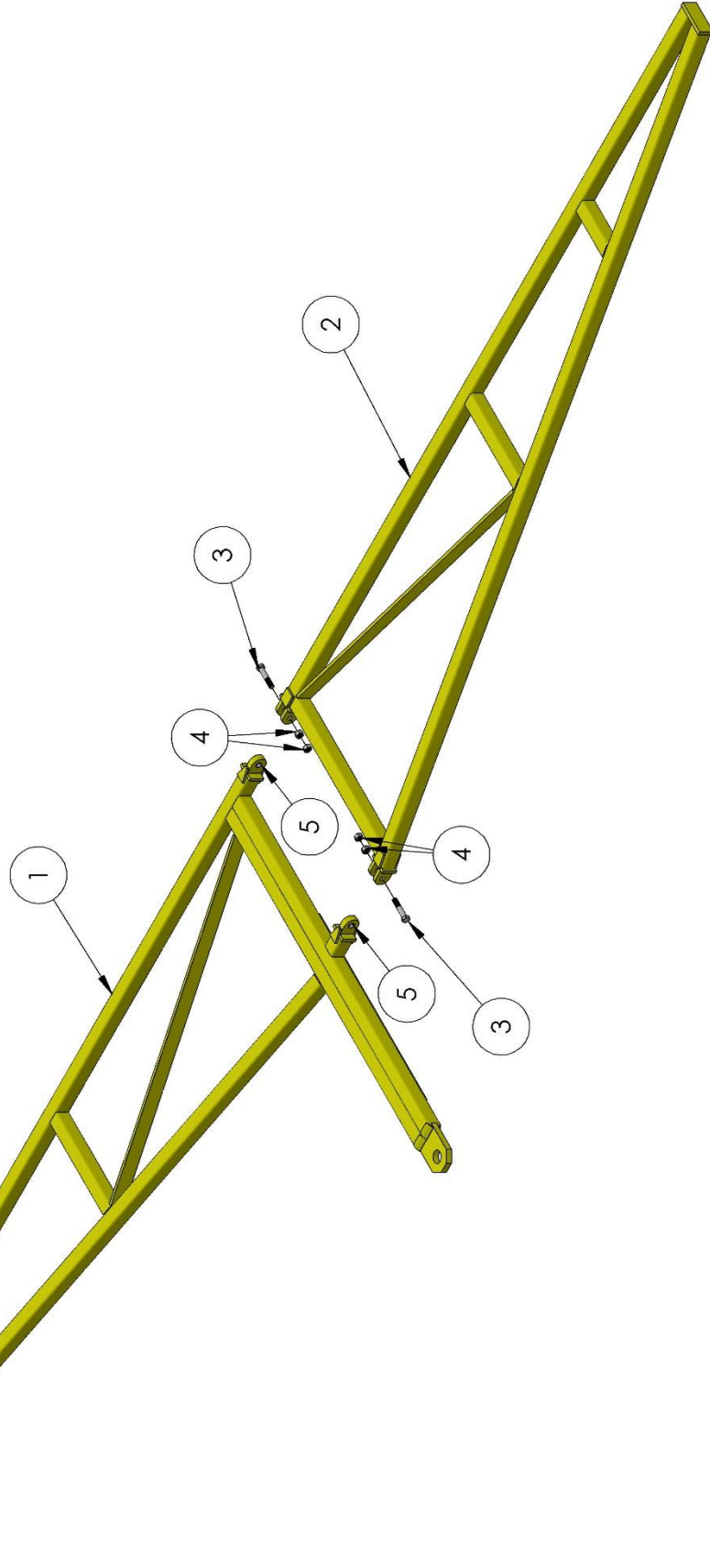
[N5WG](#) ----- Page 5

[CASE/IH DRILL BRACKETS](#) ----- Page 6

[TONGUE EXTENSTIONS](#) ----- Page 7

N3WG

ITEM #	DESCRIPTION	PART #
1	TONGUE SECTION	NSA12
2	WING	NSA13
3	CAPSCREW, 3/4 X 4	FCSV.75X4
4	NUT, 3/4"	FNT.75
5	BUSHING	TB1X1X.75X1

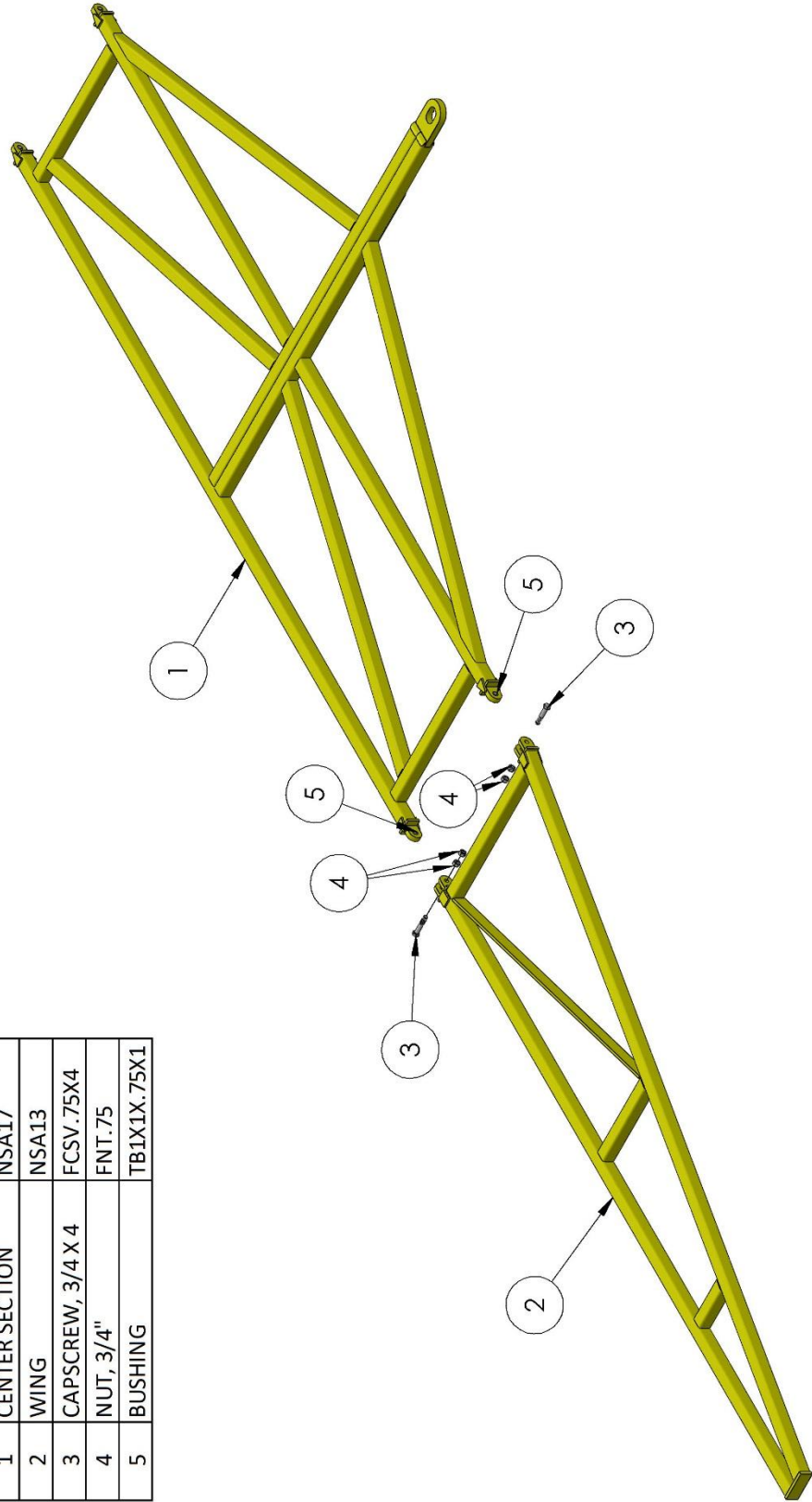


DATE 7/15

1 2 3 4 5

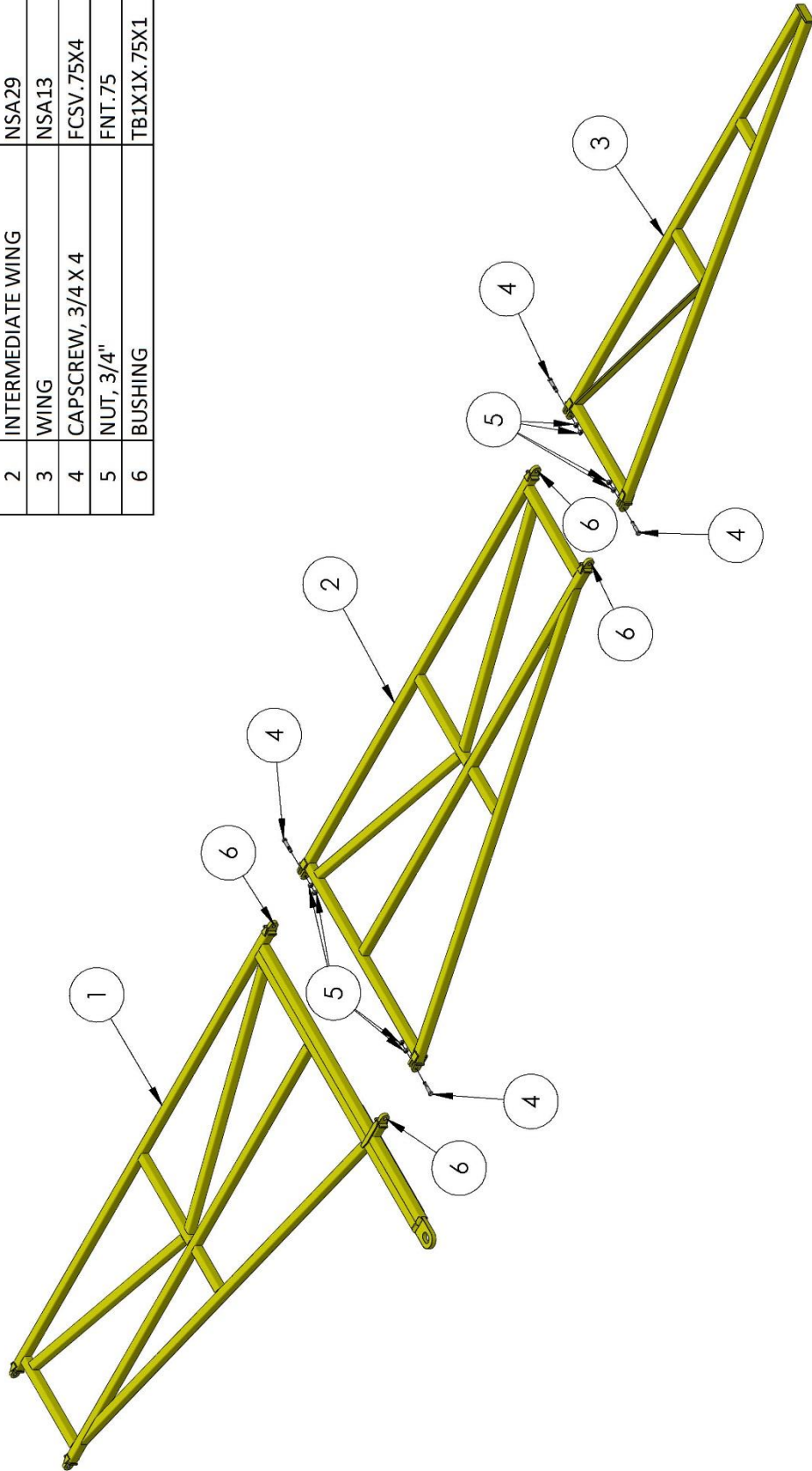
N4WG

N4WG		PART #
ITEM #	DESCRIPTION	
1	CENTER SECTION	NSA17
2	WING	NSA13
3	CAPSCREW, 3/4 X 4	FCSV.75X4
4	NUT, 3/4"	FNT.75
5	BUSHING	TB1X1X.75X1



N5WG		
ITEM #	DESCRIPTION	PART #
1	TONGUE SECTION	NSA12
2	INTERMEDIATE WING	NSA29
3	WING	NSA13
4	CAPSCREW, 3/4 X 4	FCSV.75X4
5	NUT, 3/4"	FNT.75
6	BUSHING	TB1X1X.75X1

N5WG



DATE 7/15

1

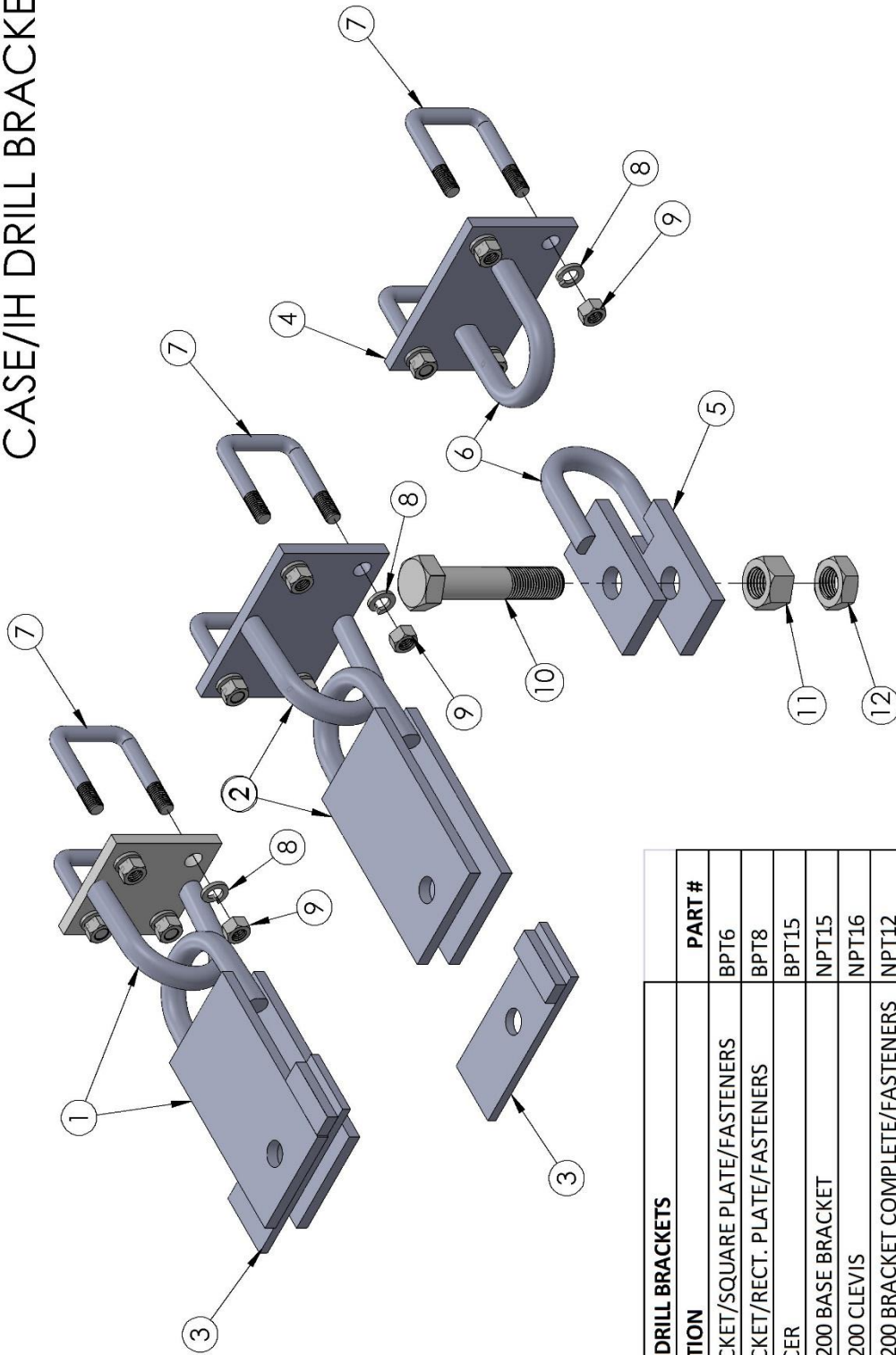
2

3

4

5

CASE/IH DRILL BRACKETS



ITEM #	DESCRIPTION	PART #
1	150 BRACKET/SQUARE PLATE/FASTENERS	BPT6
2	150 BRACKET/RECT. PLATE/FASTENERS	BPT8
3	150 SPACER	BPT15
4	5100 & 6200 BASE BRACKET	NPT15
5	5100 & 6200 CLEVIS	NPT16
6	5100 & 6200 BRACKET COMPLETE/FASTENERS	NPT12
7	U-BOLT, 5/8 X 2-1/2	FUB.625X2.5
8	LOCKWASHER, 5/8"	FLW.625
9	NUT, 5/8"	FNT.625
10	CAPSCREW, 1-1/4 X 6	FCSV1.25X6
11	NUT, 1-1/4"	FNT1.25
12	JAM NUT, 1-1/4"	FNTJ1.25

DATE 7/15

1 2 3 4 5

HITCH EXTENSIONS

ITEM #	DESCRIPTION	PART #	QUANTITY		
			BPT24	BPT24A	BPT24B
1	PIN TO PIN EXT.	BSA28	1		
2	PIN TO FLAPPER EXT.	BSA28A		1	
3	FLAPPER TO FLAPPER EXT.	BSA28B			1
4	INCLUDED	B46	1	1	
5	PIN	JPT18		1	1
6	EYE, 1-1/4"	JPT19		1	
7	COTTER PIN, 5/6 X 2-1/2	FCOT.313X.2.5		2	2
8	CAPSCREW, 5/8 X 7	FCSV.625X7	2	2	2
9	LOCKWASHER, 5/8"	FLW.625	2	2	2
10	NUT, 5/8"	FNT.625	2	2	2
11	CAPSCREW, 3/4 X 5-1/2"	FCSV.75X5.5	2	2	
12	LOCKWASHER, 3/4"	FLW.75	2	2	
13	NUT, 3/4"	FNT.75	2	2	

