

STOESS MFG INC.

PARTS CATALOG

"L" Series Hitches

FIRST ISSUED AUGUST 2015

Stoess Manufacturing Inc.

225 W. North Street
Washtucna, WA 99371
1-888-771-2314

Printed in the United States of America

TABLE OF CONTENTS

"L" Series Hitches

[L310WG](#)----- Page 3

[L410WG](#)----- Page 4

[L510WG](#)-----Page 5

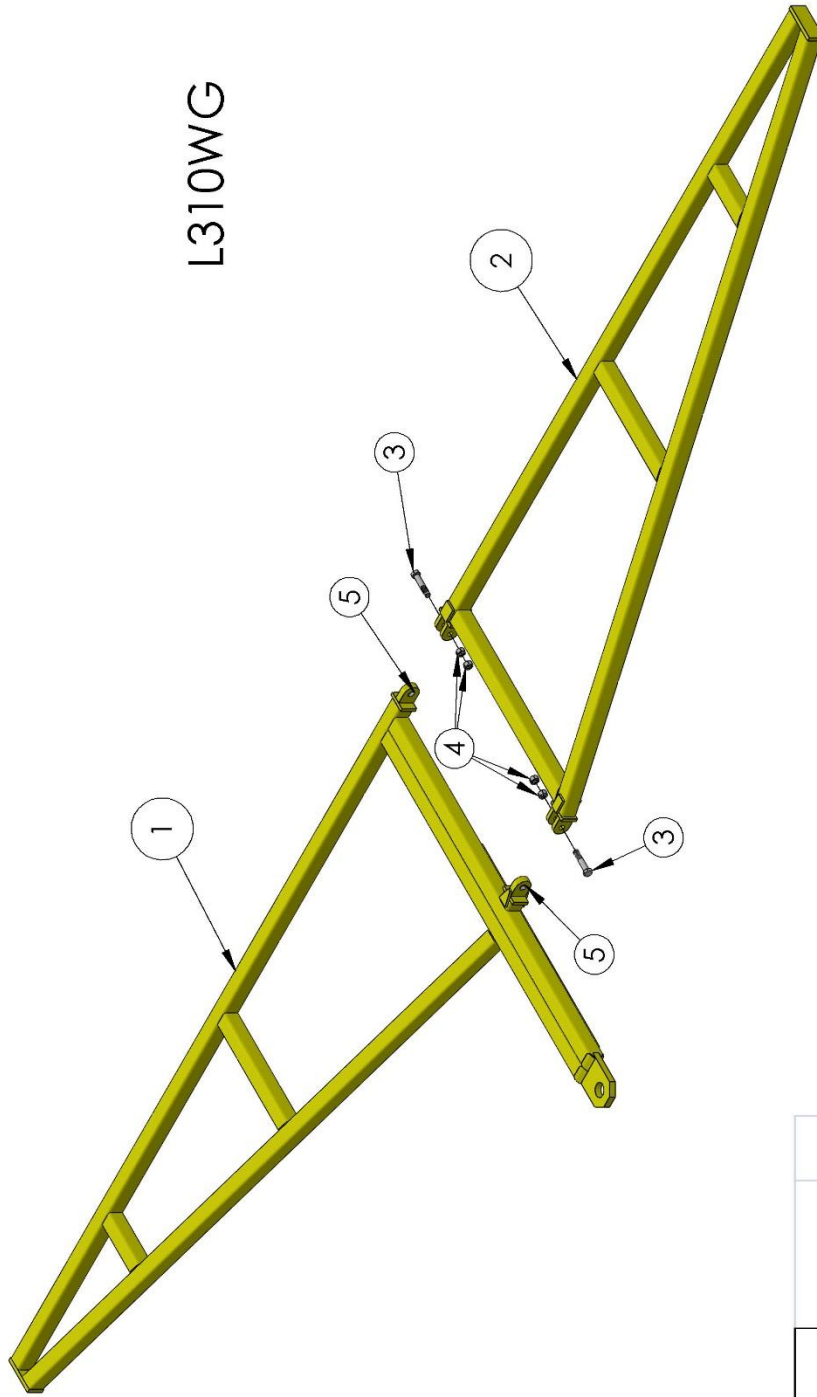
[L610WG](#)----- Page 6

[JD BRACKET](#)----- Page 7

[CASE/IH BRACKET](#)----- Page 8

[HITCH EXTENSIONS](#)----- Page 9

L310WG

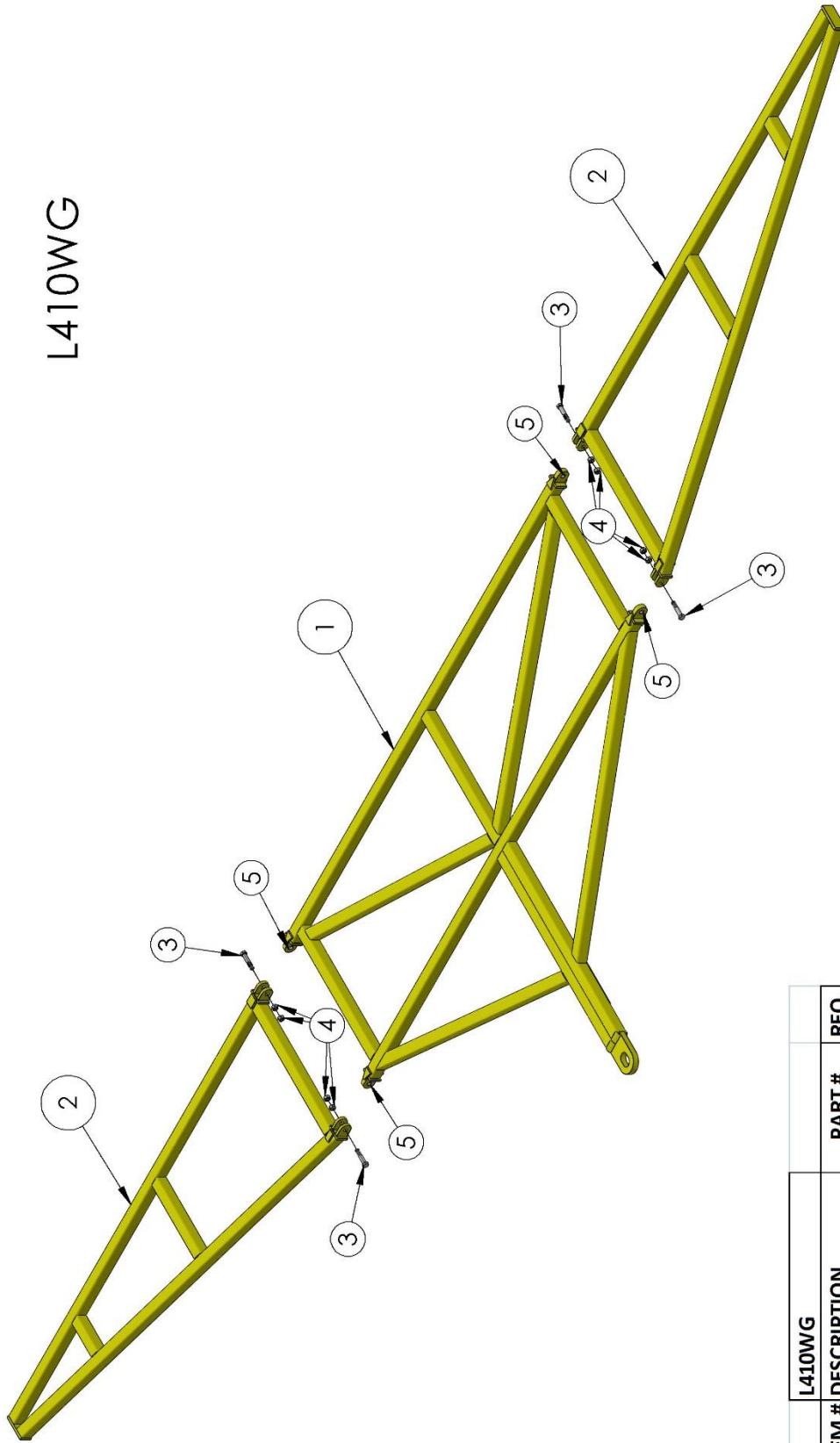


L310WG				
ITEM #	DESCRIPTION	PART #	REQ.	
1	TONGUE SECTION	LSA1	1	
2	WING	LSA4	1	
3	CAPSCREW, 3/4 X 4	FCSV.75X4	2	
4	NUT, 3/4"	FNT.75	4	
5	BUSHING, 1 X 3/4 X 1	TB1X.75X1	2	

DATE 7/15

1 2 3 4 5

L410WG

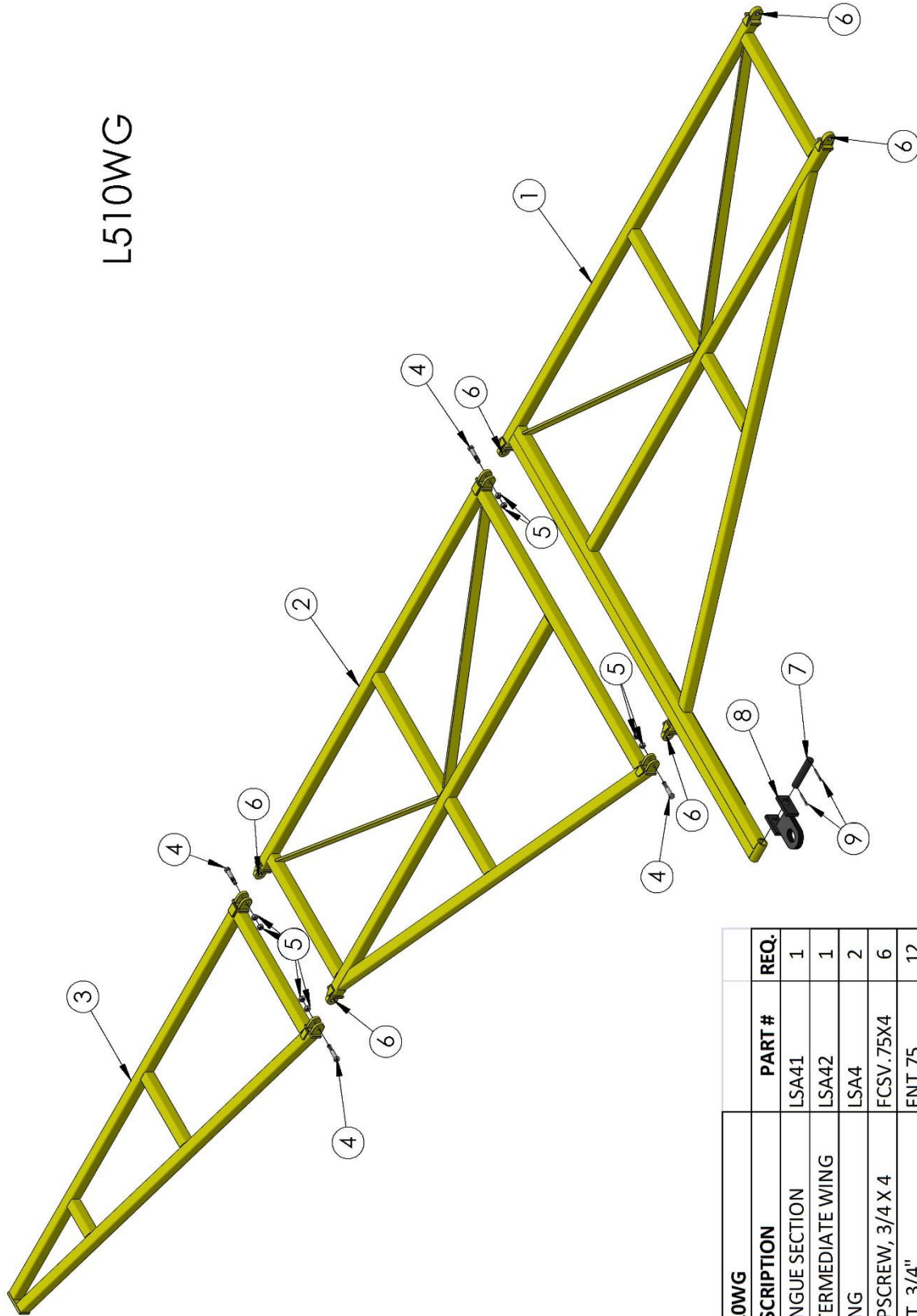


L410WG				
ITEM #	DESCRIPTION	PART #	REQ.	
1	CENTER SECTION	LSA3	1	
2	WING	LSA4	2	
3	CAPSCREW, 3/4 X 4	FCSV.75X4	4	
4	NUT, 3/4"	FNT.75	8	
5	BUSHING, 1 X 3/4 X 1	TB1X.75X1	4	

DATE 7/15

1 2 3 4 5

L510WG

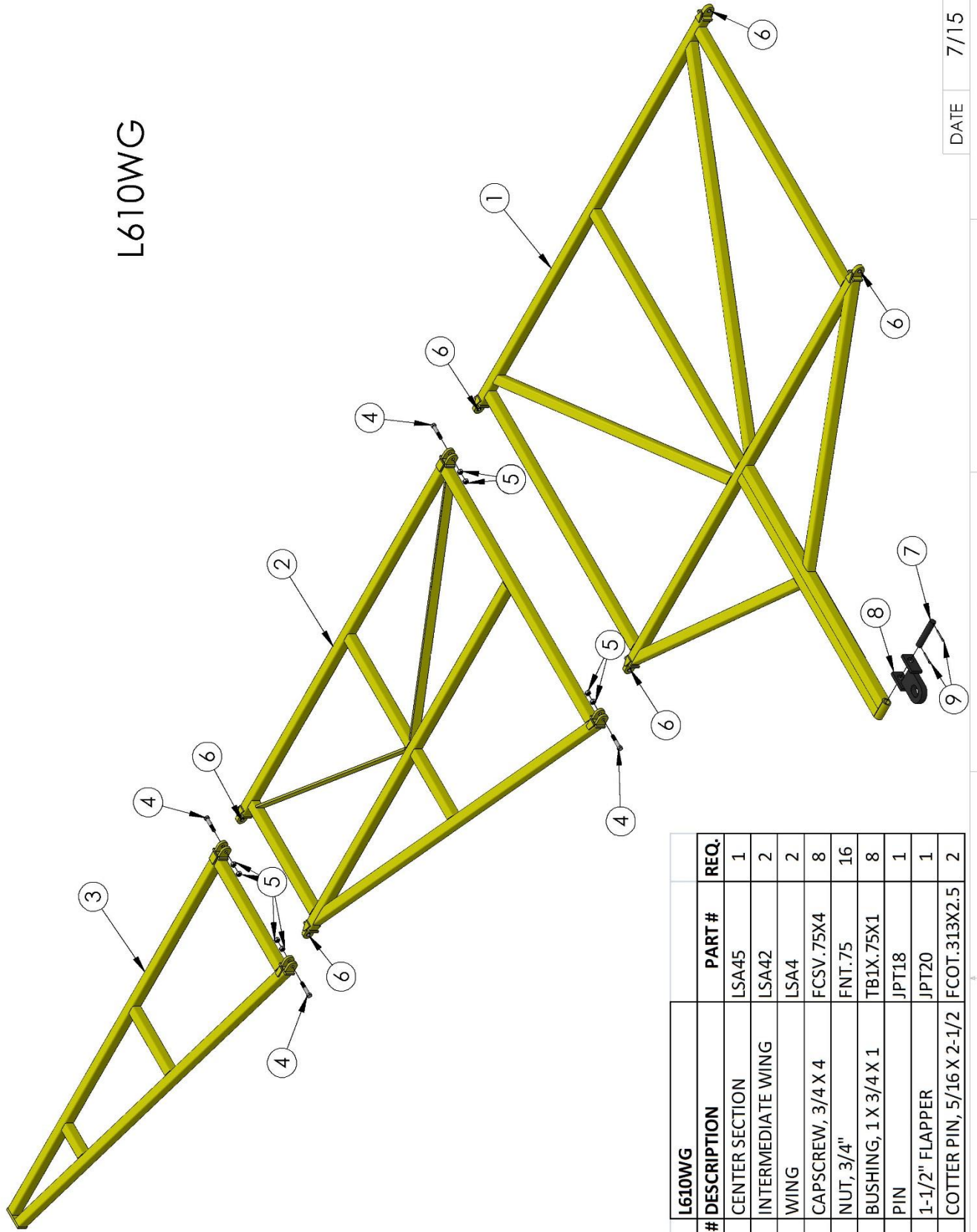


ITEM #	DESCRIPTION	PART #	REQ.
1	TONGUE SECTION	LSA41	1
2	INTERMEDIATE WING	LSA42	1
3	WING	LSA4	2
4	CAPSCREW, 3/4 X 4	FCSV.75X4	6
5	NUT, 3/4"	FNT.75	12
6	BUSHING, 1 X 3/4 X 1	TB1X.75X1	6
7	PIN	JPT18	1
8	1-1/4" FLAPPER	JPT19	1
9	COTTER PIN, 5/16 X 2-1/2	FCOT.313X2.5	2

DATE 7/15

1 2 3 4 5

L610WG



ITEM #	DESCRIPTION	PART #	REQ.
1	CENTER SECTION	LSA45	1
2	INTERMEDIATE WING	LSA42	2
3	WING	LSA4	2
4	CAPSCREW, 3/4 X 4	FCSV.75X4	8
5	NUT, 3/4"	FNT.75	16
6	BUSHING, 1 X 3/4 X 1	TB1X.75X1	8
7	PIN	JPT18	1
8	1-1/2" FLAPPER	JPT20	1
9	COTTER PIN, 5/16 X 2-1/2	FCOT.313X2.5	2

DATE 7/15

1

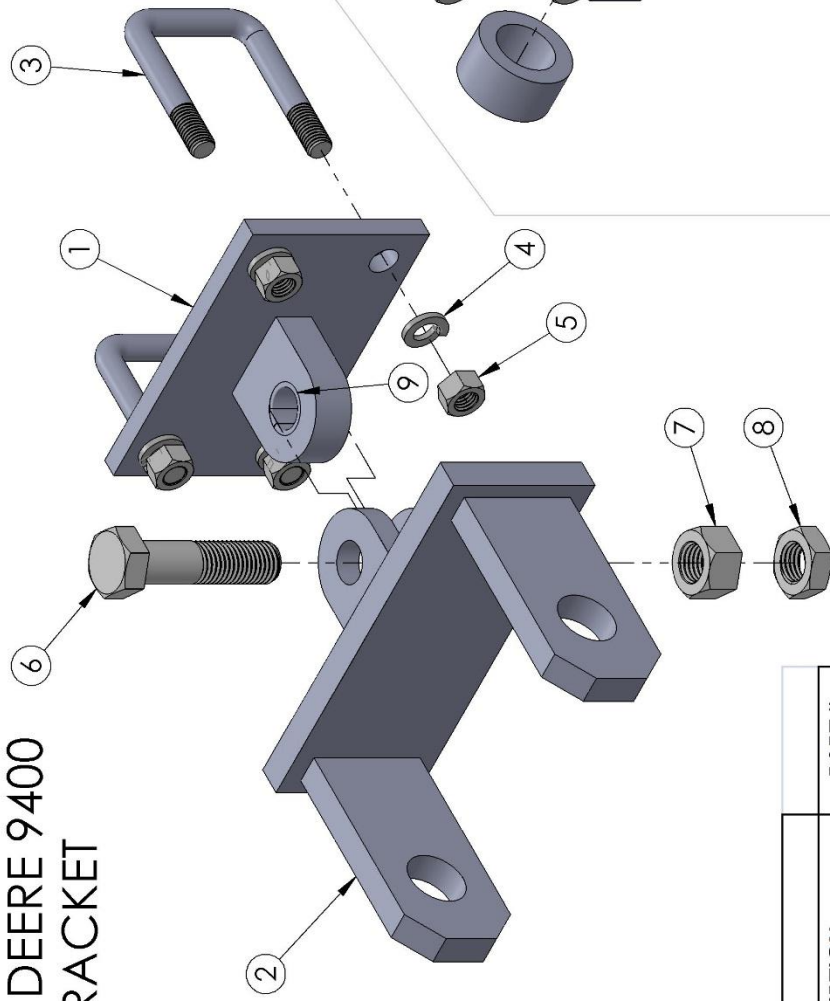
2

3

4

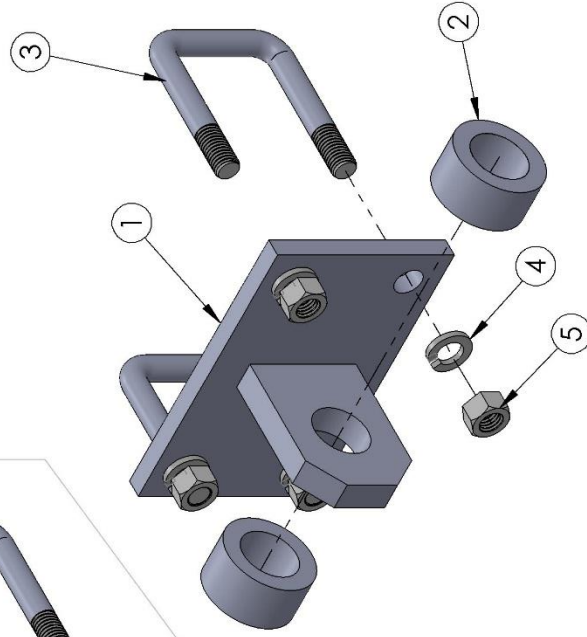
5

LPT39
JOHN DEERE 9400
BRACKET



ITEM #	DESCRIPTION	PART #
1	BRACKET	LSA59
2	BRACKET	LSA60
3	U-BOLT, 5/8 X 2-1/2	FUB.625X2.5
4	LOCKWASHER, 5/8"	FLW.625
5	NUT, 5/8"	FNT.625
6	CAPSCREW, 1 X 4	FCSV1X4
7	NUT, 1"	FNT1
8	JAMNUT, 1"	FNTJ1
9	BUSHING, 1-1/4 X 1 X 1	TB1.25X1X1

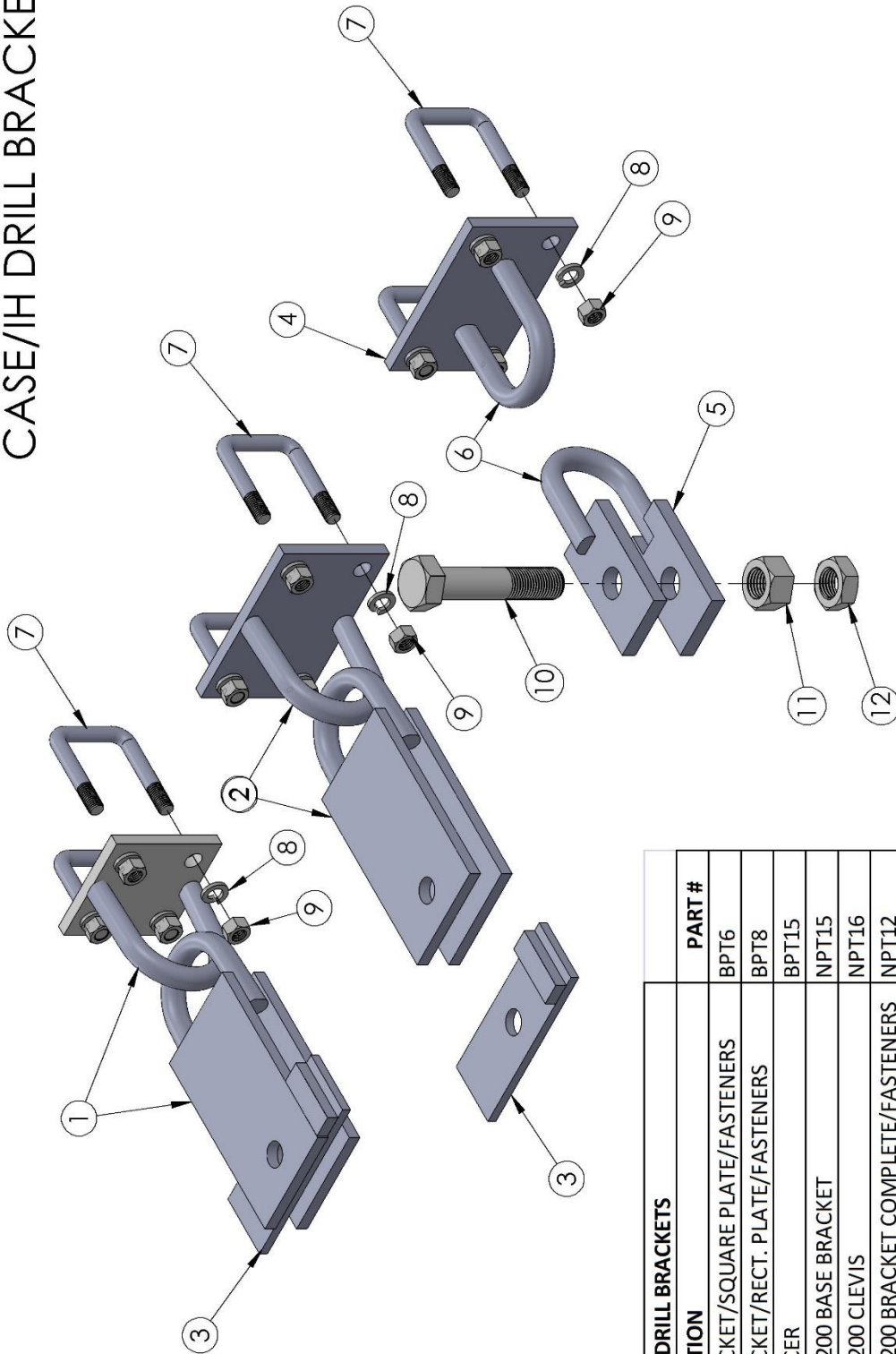
LPT2B
JOHN DEERE 9000
BRACKET



ITEM #	DESCRIPTION	PART #
1	BRACKET	LPT2A
2	SPACER	LPT5
3	U-BOLT, 5/8 X 2-1/2	FUB.625X2.5
4	LOCKWASHER, 5/8"	FLW.625
5	NUT, 5/8"	FNT.625

DATE 7/15

CASE/IH DRILL BRACKETS



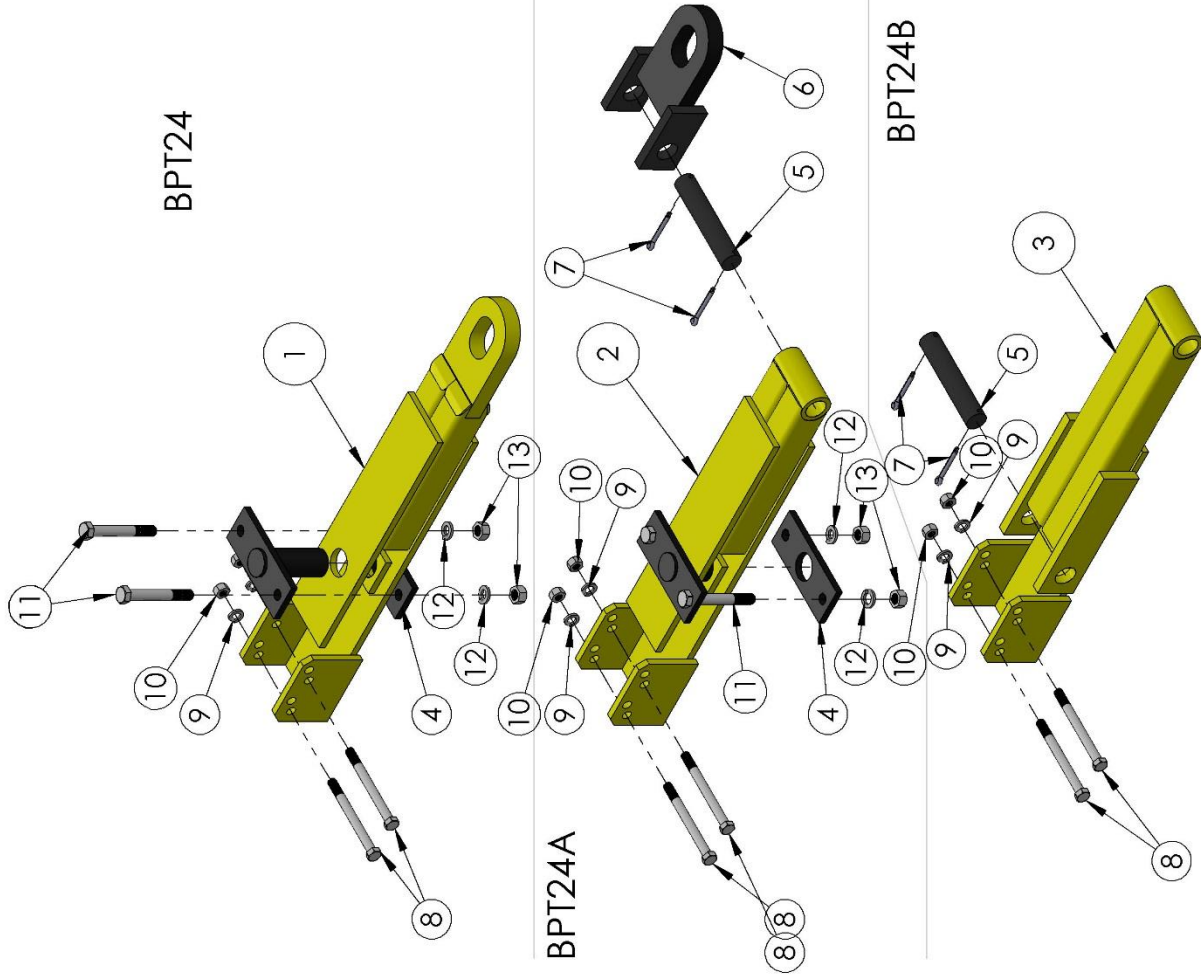
ITEM #	DESCRIPTION	PART #
1	150 BRACKET/SQUARE PLATE/FASTENERS	BPT6
2	150 BRACKET/RECT. PLATE/FASTENERS	BPT8
3	150 SPACER	BPT15
4	5100 & 6200 BASE BRACKET	NPT15
5	5100 & 6200 CLEVIS	NPT16
6	5100 & 6200 BRACKET COMPLETE/FASTENERS	NPT12
7	U-BOLT, 5/8 X 2-1/2	FUB.625X2.5
8	LOCKWASHER, 5/8"	FLW.625
9	NUT, 5/8"	FNT.625
10	CAPSCREW, 1-1/4 X 6	FCSV1.25X6
11	NUT, 1-1/4"	FNT1.25
12	JAM NUT, 1-1/4"	FNTJ1.25

DATE 7/15

1 2 3 4 5

HITCH EXTENSIONS

ITEM #	DESCRIPTION	PART #	QUANTITY		
			BPT24	BPT24A	BPT24B
1	PIN TO PIN EXT.	BSA28	1		
2	PIN TO FLAPPER EXT.	BSA28A		1	
3	FLAPPER TO FLAPPER EXT.	BSA28B			1
4	INCLUDED	B46	1	1	
5	PIN	JPT18		1	1
6	EYE, 1-1/4"	JPT19		1	
7	COTTER PIN, 5/6 X 2-1/2	FCOT.313X.2.5		2	2
8	CAPSCREW, 5/8 X 7	FCSV.625X7	2	2	2
9	LOCKWASHER, 5/8"	FLW.625	2	2	2
10	NUT, 5/8"	FNT.625	2	2	2
11	CAPSCREW, 3/4 X 5-1/2"	FCSV.75X5.5	2	2	
12	LOCKWASHER, 3/4"	FLW.75	2	2	
13	NUT, 3/4"	FNT.75	2	2	



DATE 7/25

1 2 3 4 5