

# **STOESS MFG INC.**

## **PARTS CATALOG**

---

### **"J" Series Hitches**

FIRST ISSUED AUGUST 2015

**Stoess Manufacturing Inc.**

225 W. North Street  
Washtucna, WA 99371  
1-888-771-2314

Printed in the United States of America

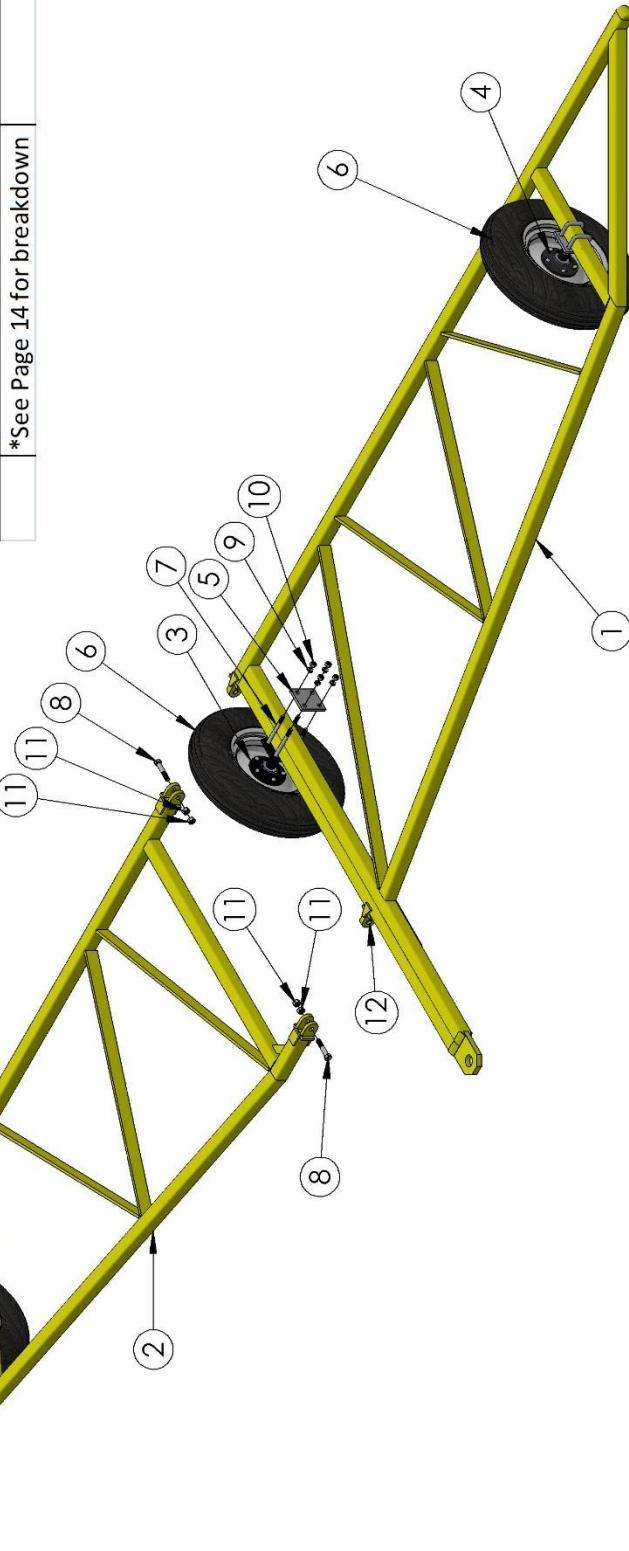
# TABLE OF CONTENTS

## "J" Series Hitches

<a href="#">J28WG</a>	-----	Page 3
<a href="#">J33WG</a>	-----	Page 4
<a href="#">J38WG</a>	-----	Page 5
<a href="#">J43WG</a>	-----	Page 6
<a href="#">J48WG</a>	-----	Page 7
<a href="#">J53WG</a>	-----	Page 8
<a href="#">J58WG</a>	-----	Page 9
<a href="#">J68WG</a>	-----	Page 10
<a href="#">J68AWG</a>	-----	Page 11
<a href="#">J78WG</a>	-----	Page 12
<a href="#">J88WG</a>	-----	Page 13
<a href="#">HUBS AND WHEELS</a>	-----	Page 14
<a href="#">WEEDER BRACKETS</a>	-----	Page 15
<a href="#">CASE/IH DRILL BRACKETS</a>	-----	Page 16
<a href="#">TONGUE EXTENSIONS</a>	-----	Page 17

# J28WG

J28WG			
ITEM #	DESCRIPTION	PART #	REQ.
1	TONGUE SECTION	JPT16	1
2	WING	JPT17	1
*3	HUB	JPT30	1
*4	HUB WITH FASTENERS	JPT30A	2
5	BACKUP PLATE	JPT33	1
*6	MOUNTED TIRE	EPT7-6	3
7	CAPSCREW, 5/8 X 7	FCSV.625X7	4
8	CAPSCREW, 3/4 X 4	FCSV.75X4	2
9	LOCKWASHER, 5/8"	FLW.625	4
10	NUT, 5/8"	FNT.625	4
11	NUT, 3/4"	FNT.75	4
12	BUSHING, 1 X 3/4 X 1	TB1X.75X1	2



\*See Page 14 for breakdown

DATE 7/15

1

2

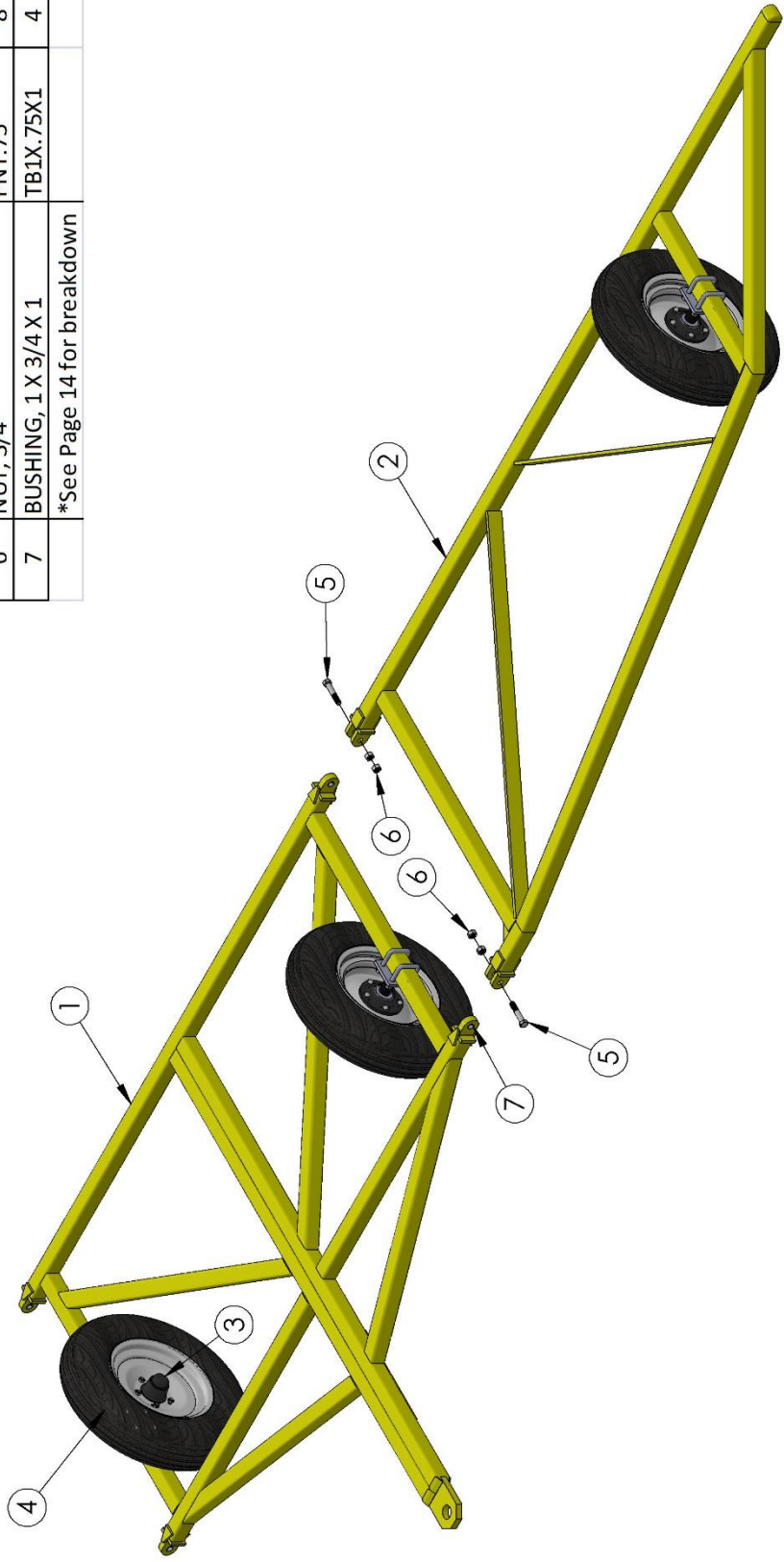
3

4

5

# J33WG

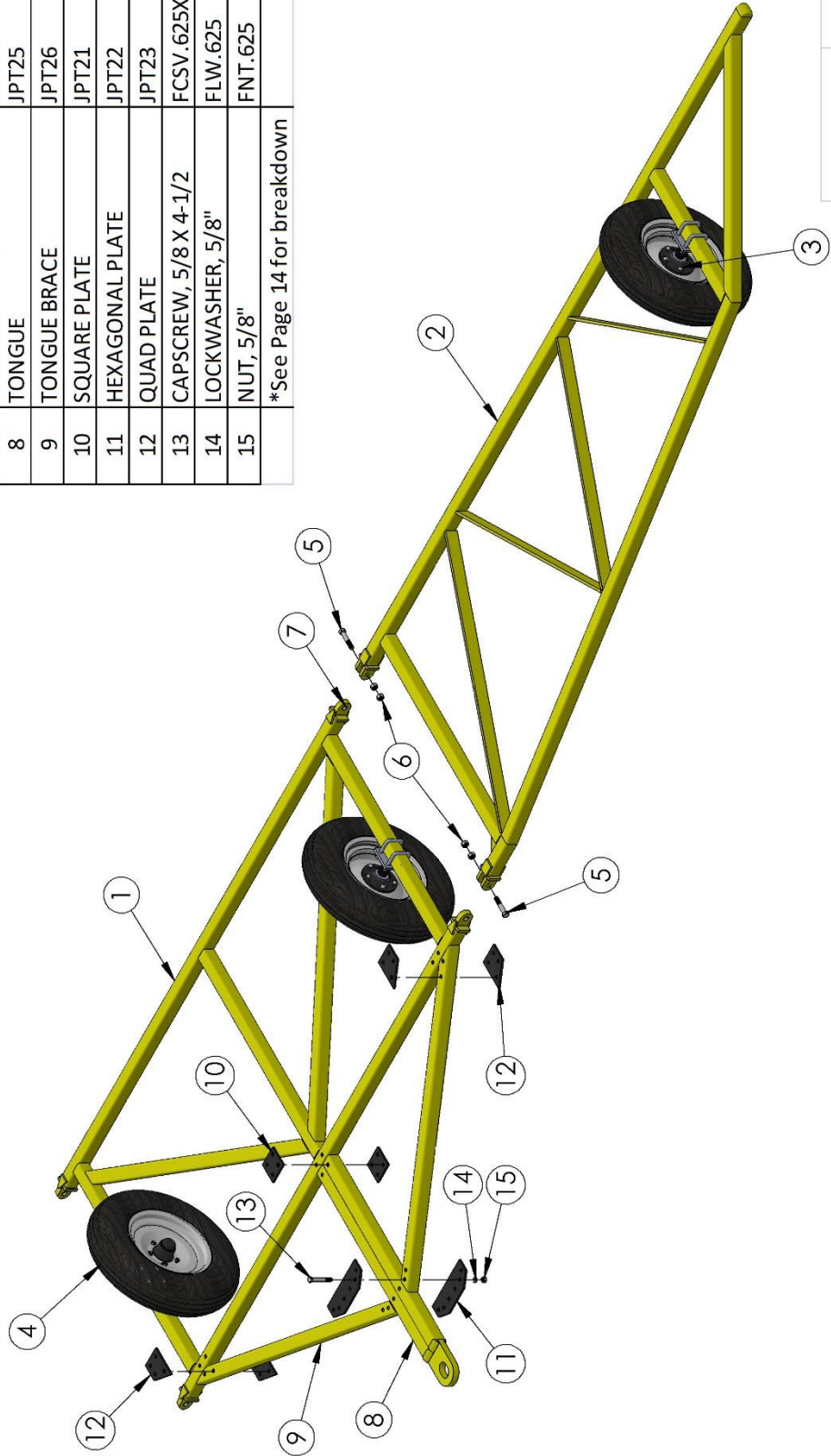
ITEM #	DESCRIPTION	PART #	REQ.
1	CENTER SECTION	JPT31	1
2	WING	JPT8	2
*3	HUB WITH FASTENERS	JPT30A	4
*4	MOUNTED TIRE	EPT7-6	4
5	CAPSCREW, 3/4 X 4	FCSV.75X4	4
6	NUT, 3/4"	FNT.75	8
7	BUSHING, 1 X 3/4 X 1	TB1X.75X1	4
*See Page 14 for breakdown			



DATE 7/15

1 2 3 4 5

# J38WG



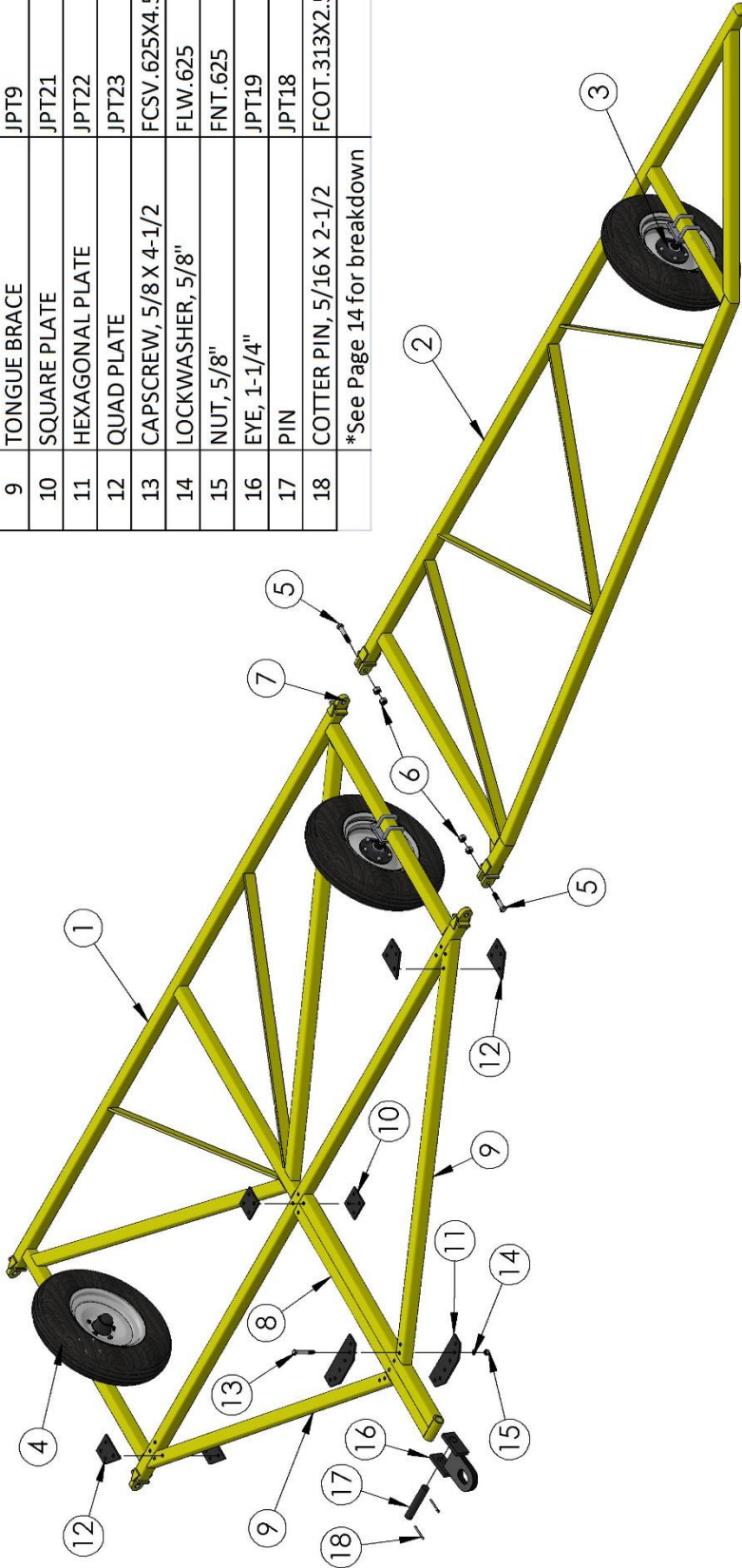
J38WG		ITEM #	DESCRIPTION	PART #	REQ.
1	CENTER SECTION	JPT1	1		
2	WING	JPT2	2		
*3	HUB WITH FASTENERS	JPT30A	4		
*4	MOUNTED TIRE	EPT7-6	4		
5	CAPSCREW, 3/4 X 4	FCSV.75X4	4		
6	NUT, 3/4"	FNT.75	8		
7	BUSHING, 1 X 3/4 X 1	TB1X.75X1	4		
8	TONGUE	JPT25	1		
9	TONGUE BRACE	JPT26	2		
10	SQUARE PLATE	JPT21	2		
11	HEXAGONAL PLATE	JPT22	2		
12	QUAD PLATE	JPT23	4		
13	CAPSCREW, 5/8 X 4-1/2	FCSV.625X4.5	18		
14	LOCKWASHER, 5/8"	FLW.625	18		
15	NUT, 5/8"	FNT.625	18		
*See Page 14 for breakdown					

DATE 7/15

1 2 3 4 5



# J43WG



J43WG		ITEM #	DESCRIPTION	PART #	REQ.
1	CENTER SECTION	JPT11	1		
2	WING	JPT12	2		
*3	HUB WITH FASTENERS	JPT30A	4		
*4	MOUNTED TIRE	EPT7-6	4		
5	CAPSCREW, 3/4 X 4	FCSV.75X4	4		
6	NUT, 3/4"	FNT.75	8		
7	BUSHING, 1 X 3/4 X 1	TB1X.75X1	4		
8	TONGUE	JPT3	1		
9	TONGUE BRACE	JPT9	2		
10	SQUARE PLATE	JPT21	2		
11	HEXAGONAL PLATE	JPT22	2		
12	QUAD PLATE	JPT23	4		
13	CAPSCREW, 5/8 X 4-1/2	FCSV.625X4.5	18		
14	LOCKWASHER, 5/8"	FLW.625	18		
15	NUT, 5/8"	FNT.625	18		
16	EYE, 1-1/4"	JPT19	1		
17	PIN	JPT18	1		
18	COTTER PIN, 5/16 X 2-1/2	FCOT.313X2.5	2		
*See Page 14 for breakdown					

DATE 7/15

1

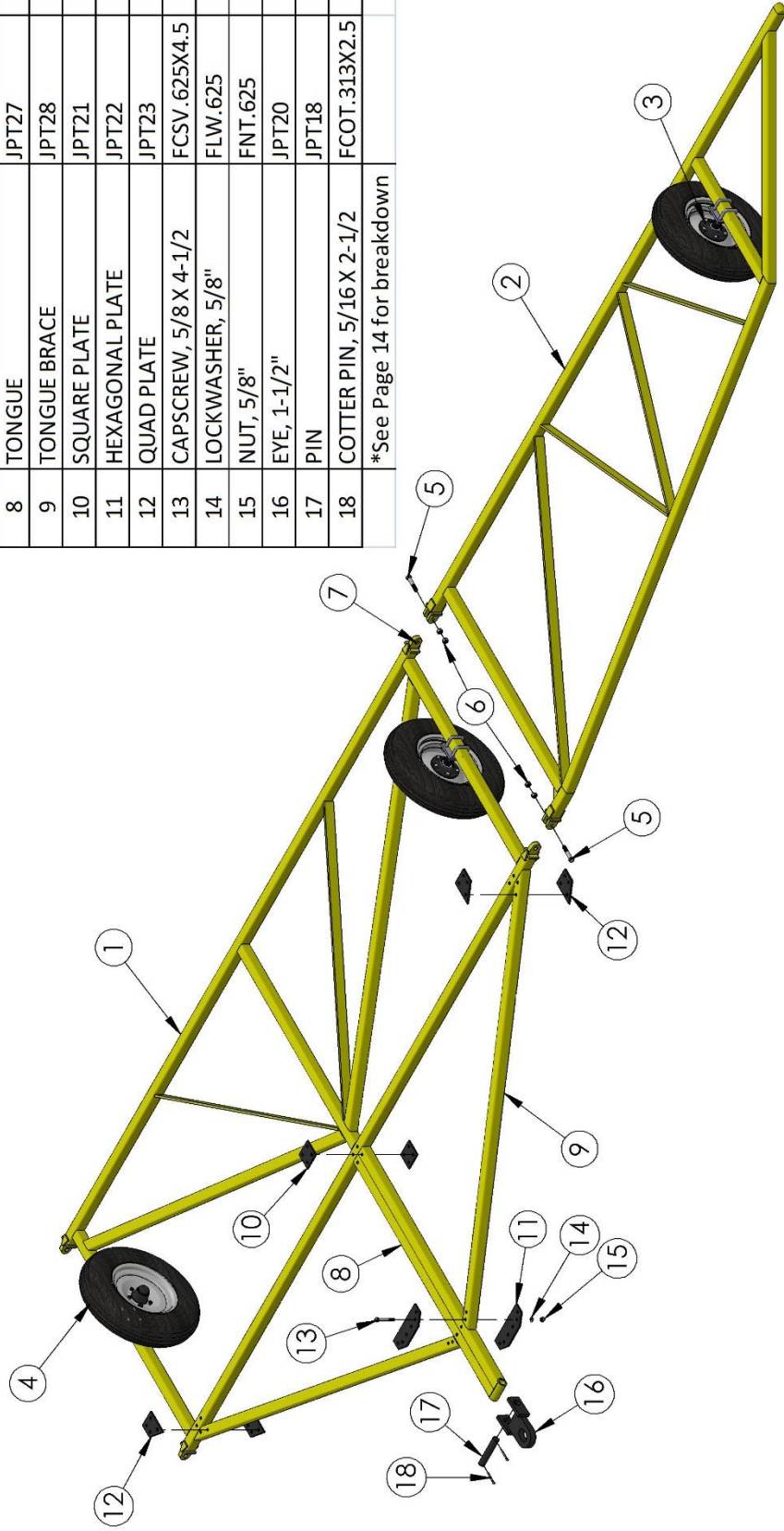
2

3

4

5

# J48WG



J48WG			
ITEM #	DESCRIPTION	PART #	REQ.
1	CENTER SECTION	JPT4	1
2	WING	JPT5	2
*3	HUB WITH FASTENERS	JPT30A	4
*4	MOUNTED TIRE	EPT7-6	4
5	CAPSCREW, 3/4 X 4	FCSV.75X4	4
6	NUT, 3/4"	FNT.75	8
7	BUSHING, 1 X 3/4 X 1	TB1X.75X1	4
8	TONGUE	JPT27	1
9	TONGUE BRACE	JPT28	2
10	SQUARE PLATE	JPT21	2
11	HEXAGONAL PLATE	JPT22	2
12	QUAD PLATE	JPT23	4
13	CAPSCREW, 5/8 X 4-1/2	FCSV.625X4.5	18
14	LOCKWASHER, 5/8"	FLW.625	18
15	NUT, 5/8"	FNT.625	18
16	EYE, 1-1/2"	JPT20	1
17	PIN	JPT18	1
18	COTTER PIN, 5/16 X 2-1/2	FCOT.313X2.5	2
*See Page 14 for breakdown			

DATE 7/15

1

2

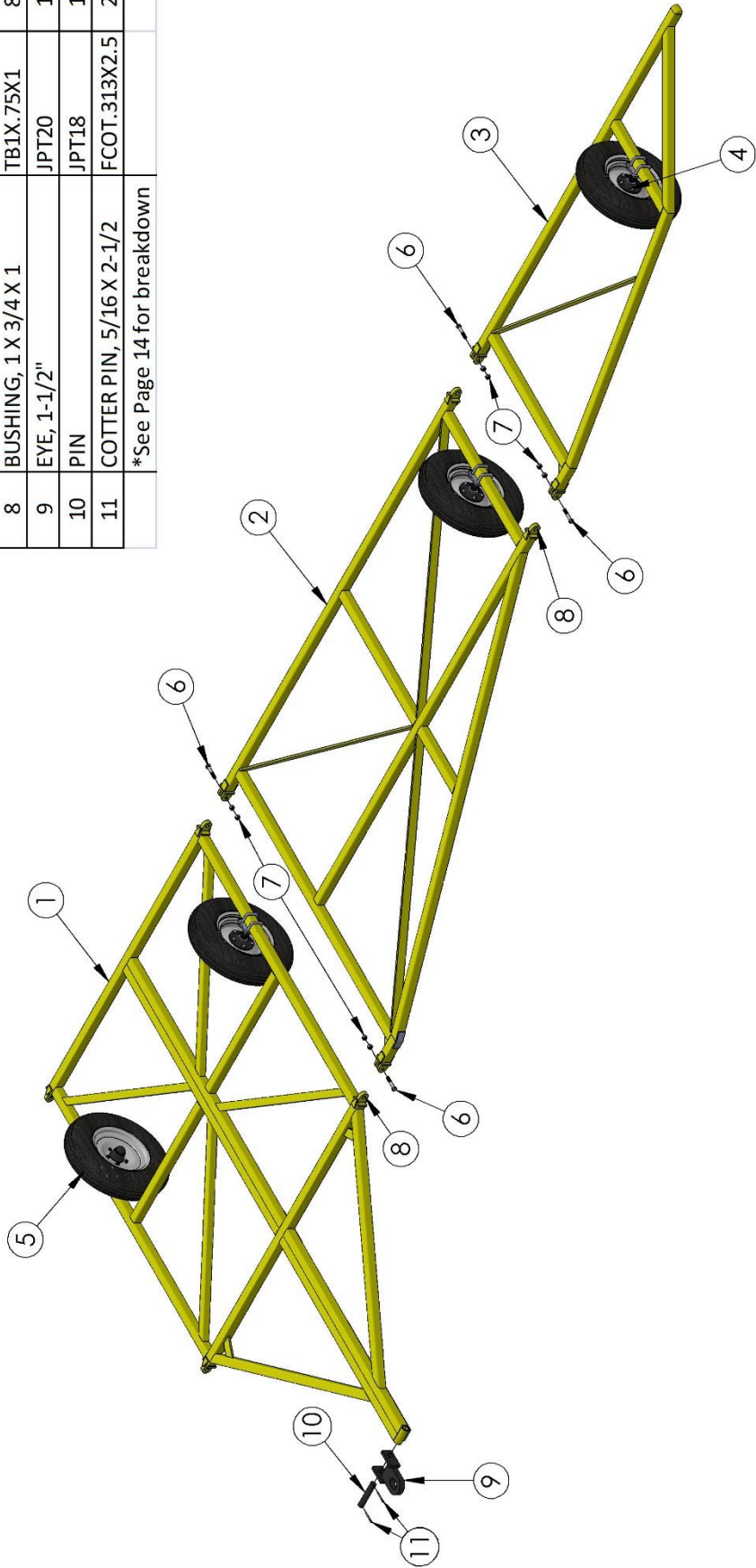
3

4

5

# J53WG

ITEM #	DESCRIPTION	PART #	REQ.
1	CENTER SECTION	JPT6	1
2	INTERMEDIATE WING	JPT7	2
3	WING	JPT34	2
*4	HUB WITH FASTENERS	JPT30A	6
*5	MOUNTED TIRE	EPT7-6	6
6	CAPSCREW, 3/4 X 4	FCSV.75X4	8
7	NUT, 3/4"	FNT.75	16
8	BUSHING, 1 X 3/4 X 1	TB1X.75X1	8
9	EYE, 1-1/2"	JPT20	1
10	PIN	JPT18	1
11	COTTER PIN, 5/16 X 2-1/2	FCOT.313X2.5	2



\*See Page 14 for breakdown

DATE 7/15

1

2

3

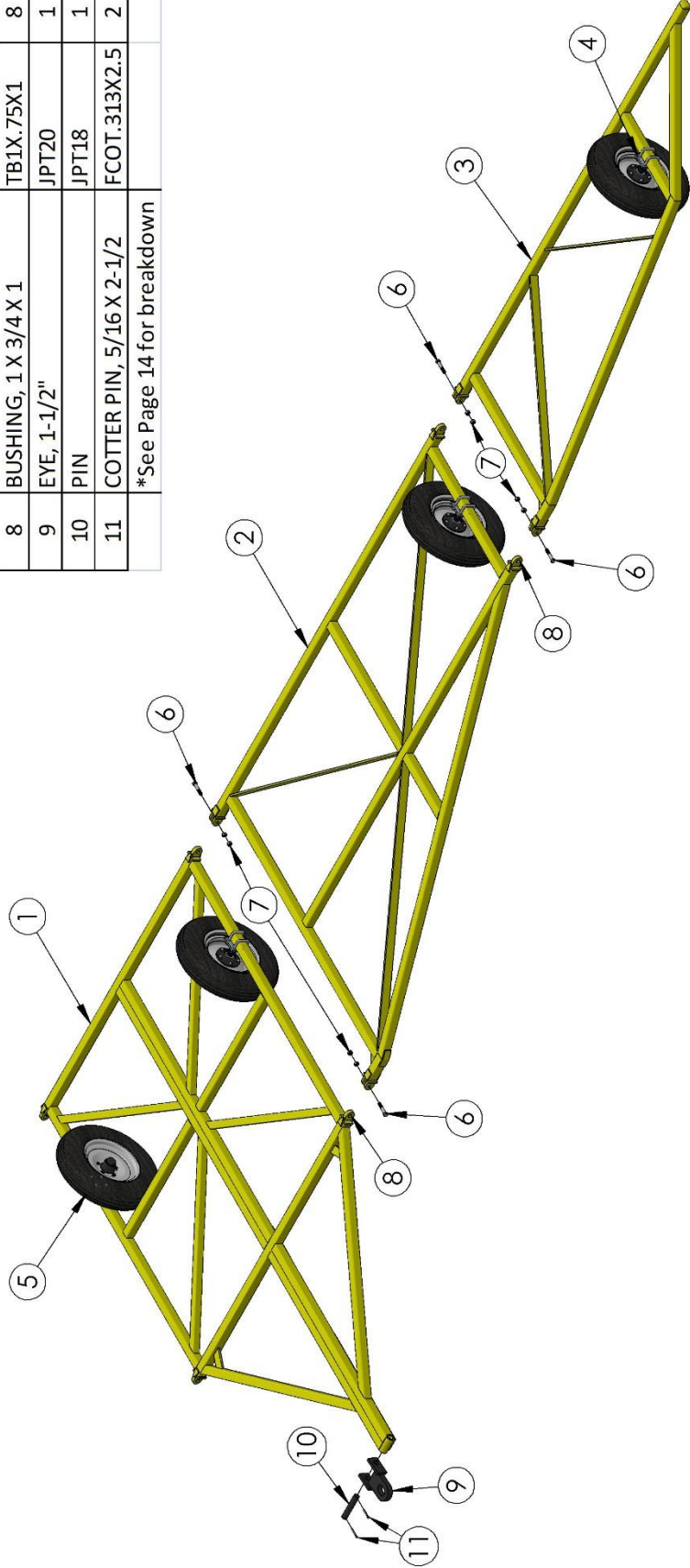
4

5



# J58WG

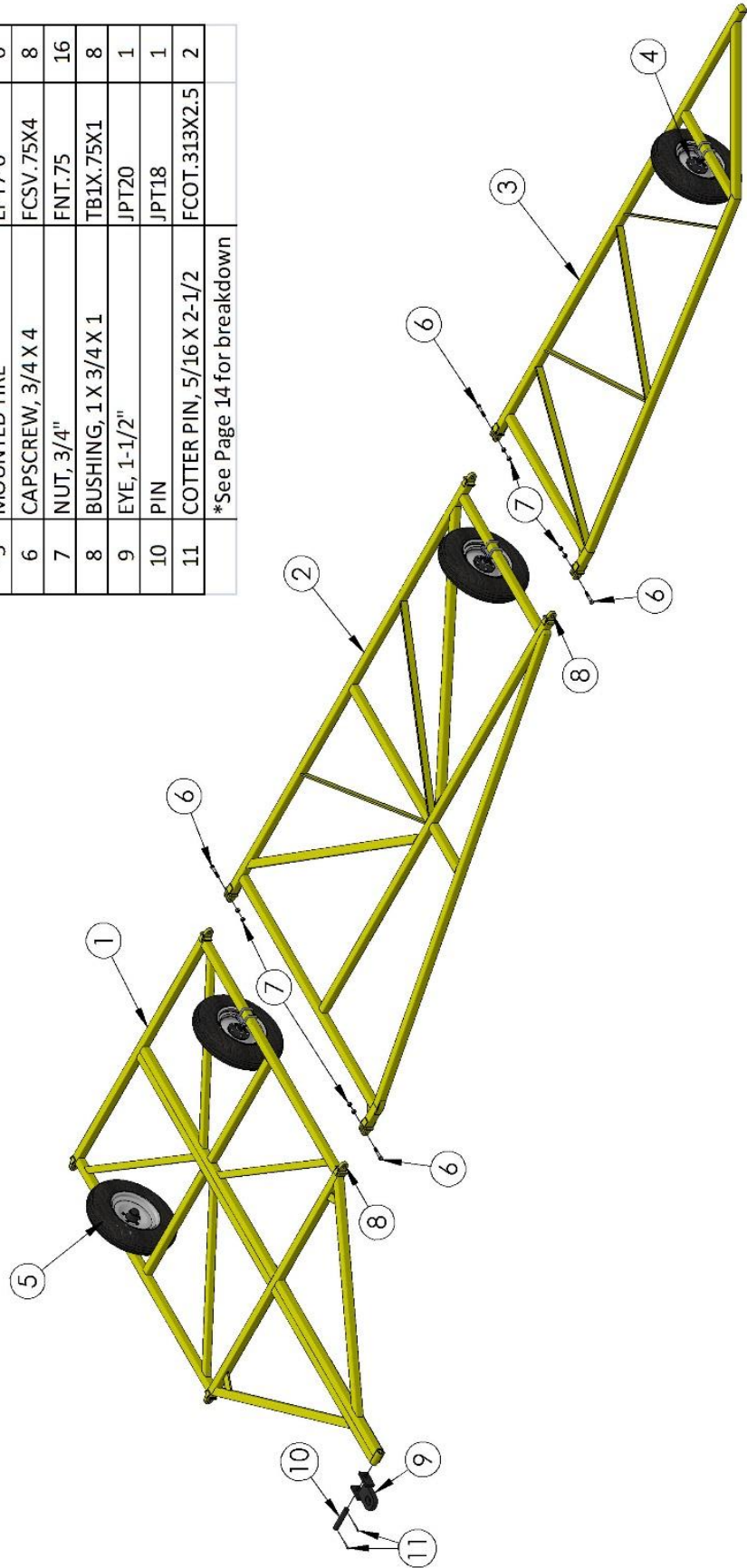
ITEM #	DESCRIPTION	PART #	REQ.
1	CENTER SECTION	JPT6	1
2	INTERMEDIATE WING	JPT7	2
3	WING	JPT8	2
*4	HUB WITH FASTENERS	JPT30A	6
*5	MOUNTED TIRE	EPT7-6	6
6	CAPSCREW, 3/4 X 4	FCSV.75X4	8
7	NUT, 3/4"	FNT.75	16
8	BUSHING, 1 X 3/4 X 1	TB1X.75X1	8
9	EYE, 1-1/2"	JPT20	1
10	PIN	JPT18	1
11	COTTER PIN, 5/16 X 2-1/2	FCOT.313X2.5	2



DATE 7/15

1 2 3 4 5

# J68WG



ITEM #	DESCRIPTION	PART #	REQ.
1	CENTER SECTION	JPT6	1
2	INTERMEDIATE WING	JPT29	2
3	WING	JPT12	2
*4	HUB WITH FASTENERS	JPT30A	6
*5	MOUNTED TIRE	EPT7-6	6
6	CAPSCREW, 3/4 X 4	FCSV.75X4	8
7	NUT, 3/4"	FNT.75	16
8	BUSHING, 1 X 3/4 X 1	TB1X.75X1	8
9	EYE, 1-1/2"	JPT20	1
10	PIN	JPT18	1
11	COTTER PIN, 5/16 X 2-1/2	FCOT.313X2.5	2

\*See Page 14 for breakdown

DATE 7/15

1

2

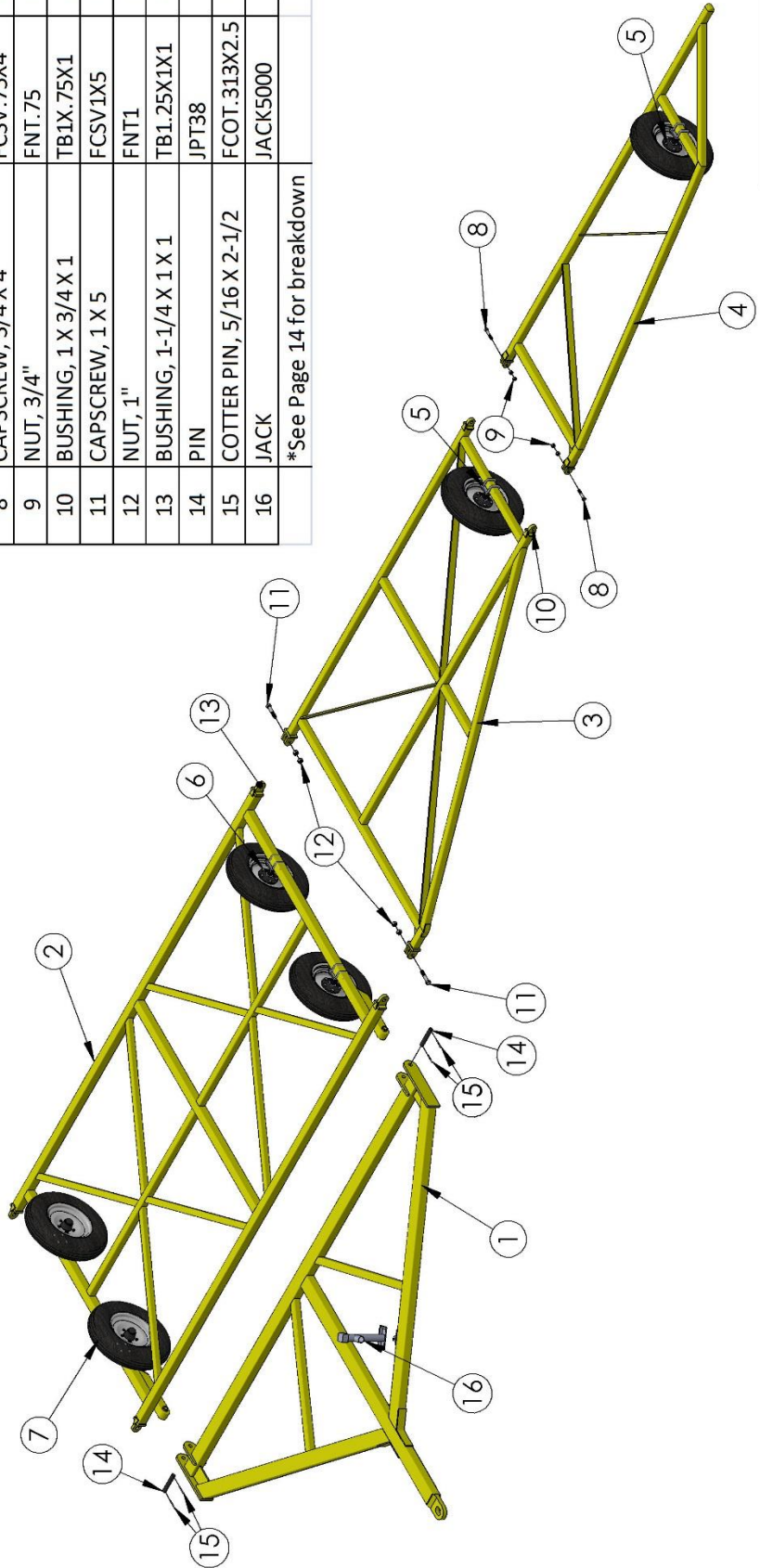
3

4

5



# J68AWG



ITEM #	DESCRIPTION	PART #	REQ.
1	TONGUE	JPT13	1
2	CENTER SECTION	JPT14	1
3	INTERMEDIATE WING	JSA26A	2
4	WING	JSA27A	2
*5	HUB WITH FASTENERS	JPT30A	4
*6	HUB FOR 3" TUBE	JPT15	4
*7	MOUNTED TIRE	EPT7-6	6
8	CAPSCREW, 3/4 X 4	FCSV.75X4	4
9	NUT, 3/4"	FNT.75	8
10	BUSHING, 1 X 3/4 X 1	TB1X.75X1	4
11	CAPSCREW, 1 X 5	FCSV1X5	4
12	NUT, 1"	FNT1	8
13	BUSHING, 1-1/4 X 1 X 1	TB1.25X1X1	4
14	PIN	JPT38	2
15	COTTER PIN, 5/16 X 2-1/2	FCOT.313X2.5	4
16	JACK	JACK5000	1
*See Page 14 for breakdown			

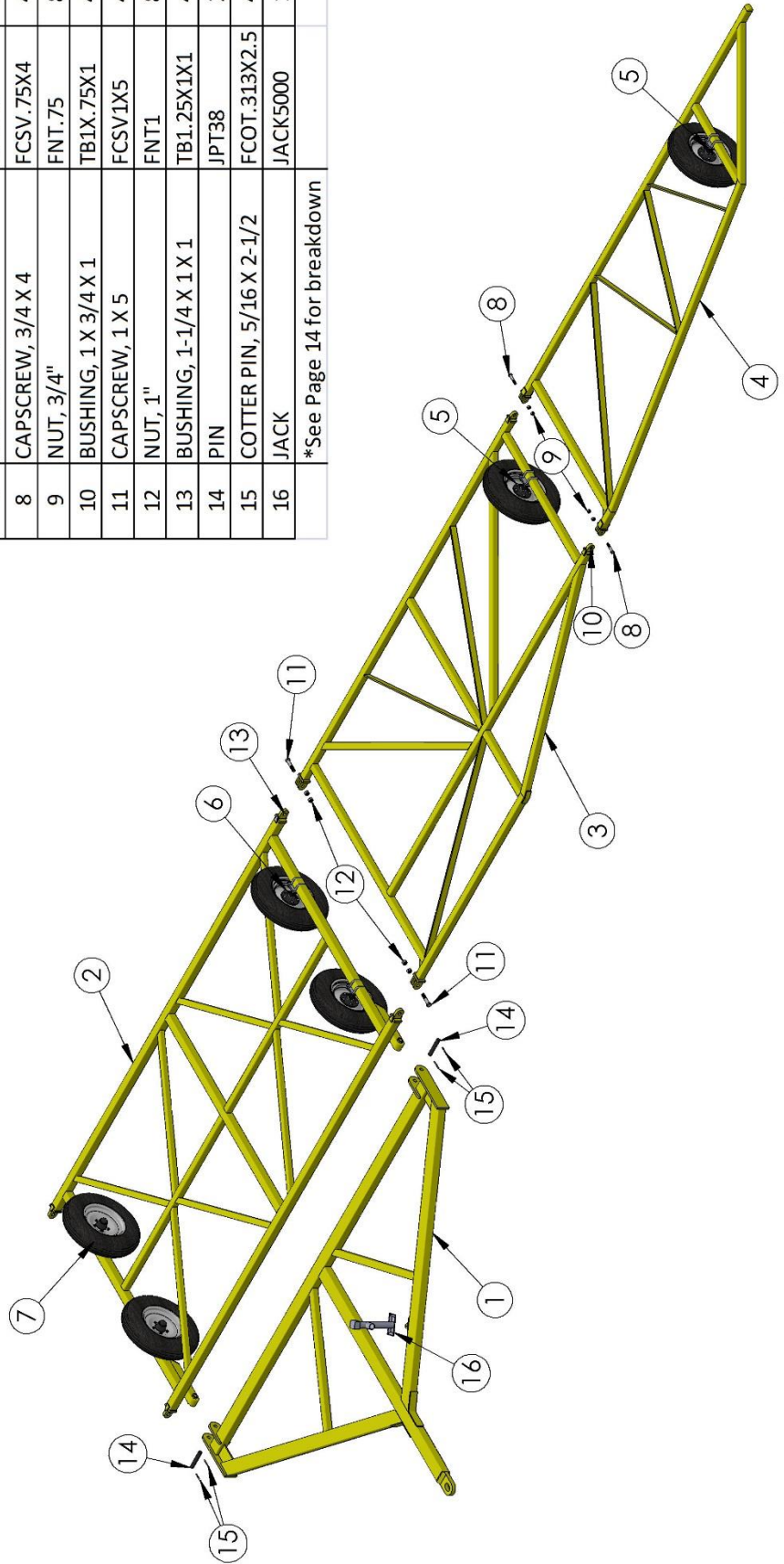
DATE 7/15

1 2 3 4 5





# J78WG



J78WG		ITEM #	DESCRIPTION	PART #	REQ.
1	TONGUE	JPT13	1		
2	CENTER SECTION	JPT14	1		
3	INTERMEDIATE WING	JPT10	2		
4	WING	JPT5	2		
*5	HUB WITH FASTENERS	JPT30A	4		
*6	HUB FOR 3" TUBE	JPT15	4		
*7	MOUNTED TIRE	EPT7-6	6		
8	CAPSCREW, 3/4 X 4	FCSV.75X4	4		
9	NUT, 3/4"	FNT.75	8		
10	BUSHING, 1 X 3/4 X 1	TB1X.75X1	4		
11	CAPSCREW, 1 X 5	FCSV1X5	4		
12	NUT, 1"	FNT1	8		
13	BUSHING, 1-1/4 X 1 X 1	TB1.25X1X1	4		
14	PIN	JPT38	2		
15	COTTER PIN, 5/16 X 2-1/2	FCOT.313X2.5	4		
16	JACK	JACK5000	1		
*See Page 14 for breakdown					

DATE 7/15

1

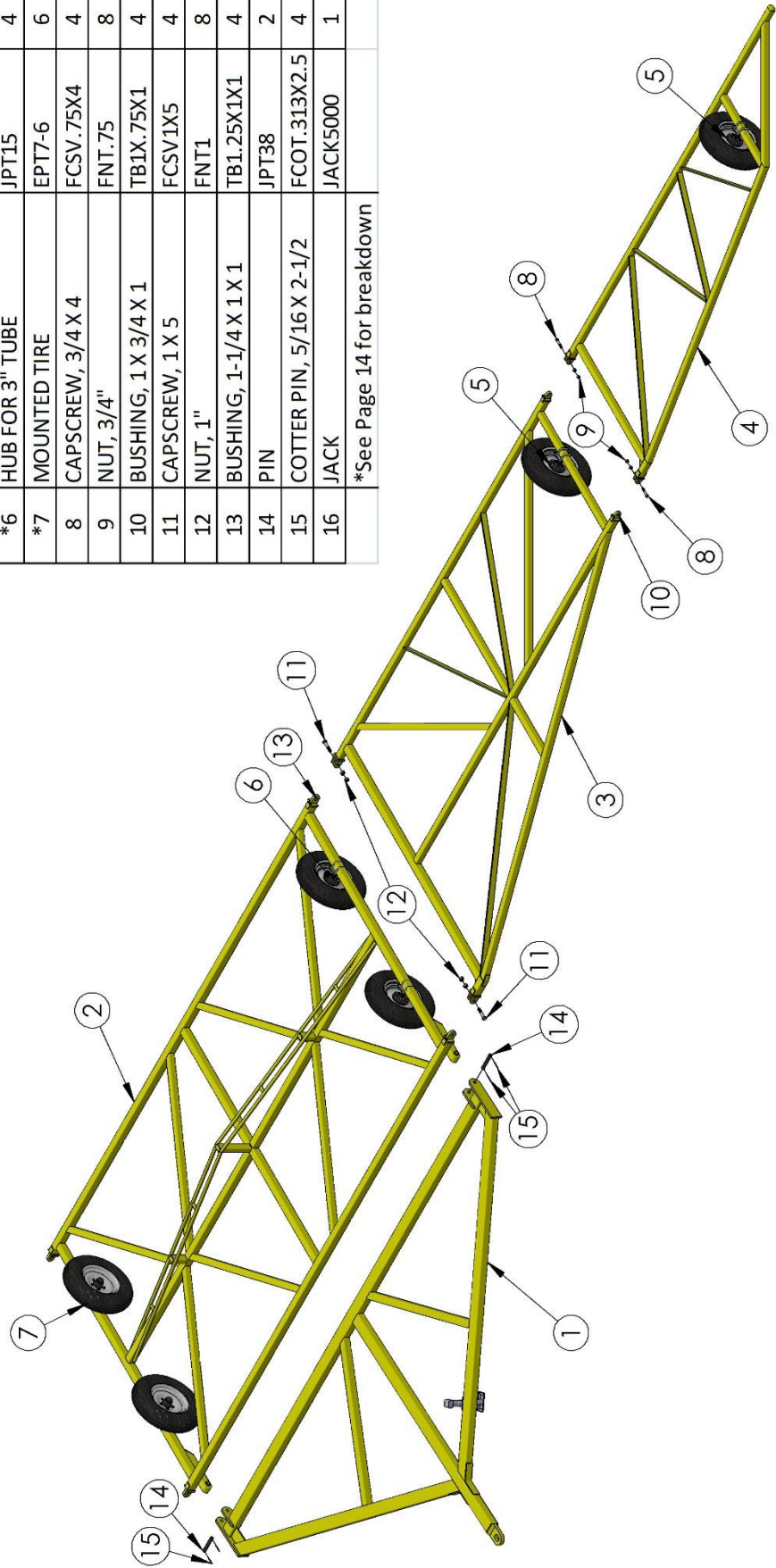
2

3

4

5

# J88WG



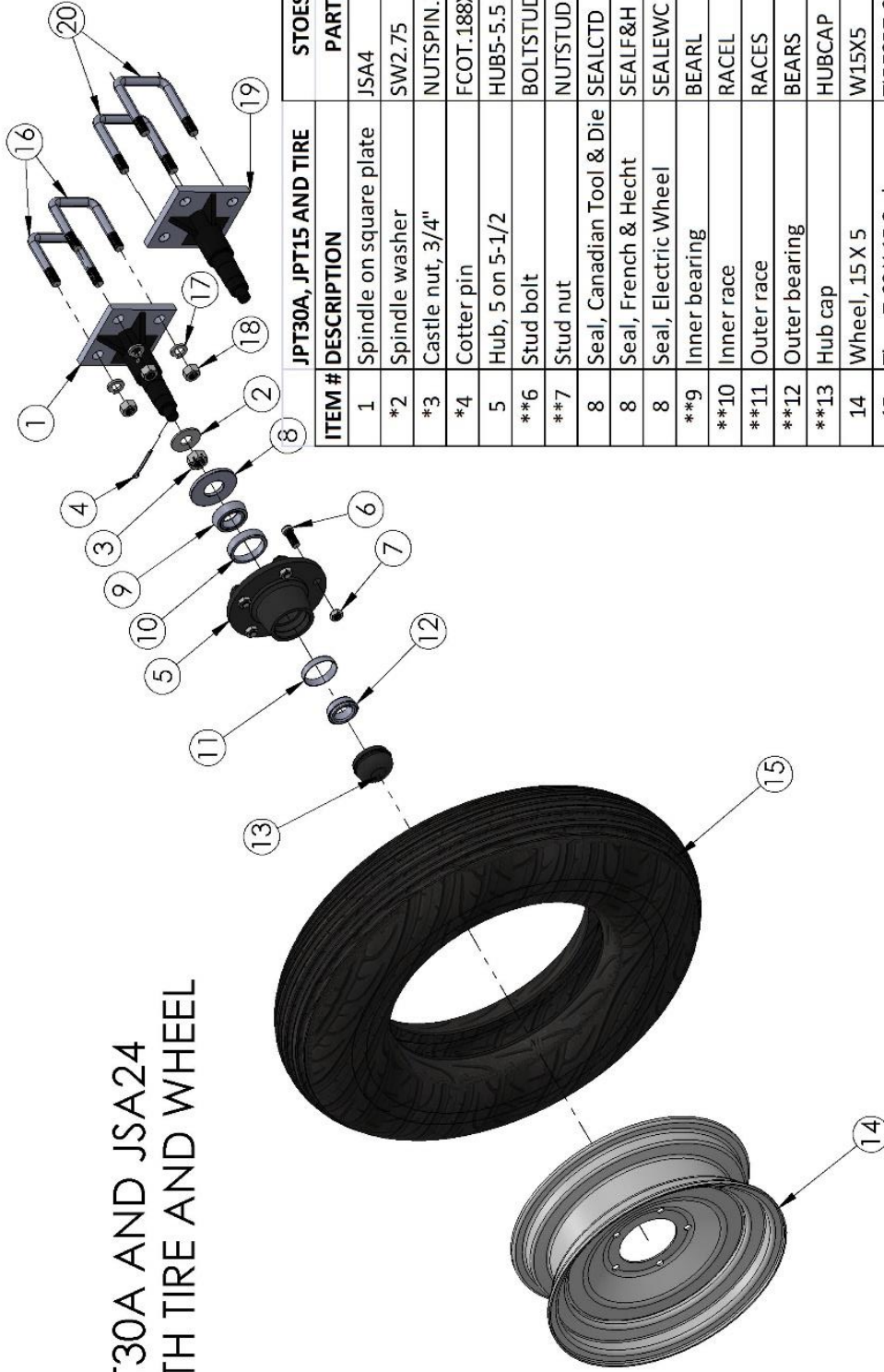
ITEM #	DESCRIPTION	PART #	REQ.
1	TONGUE	JPT37	1
2	CENTER SECTION	JPT35	1
3	INTERMEDIATE WING	JPT36	2
4	WING	JPT5	2
*5	HUB WITH FASTENERS	JPT30A	4
*6	HUB FOR 3" TUBE	JPT15	4
*7	MOUNTED TIRE	EPT7-6	6
8	CAPSCREW, 3/4 X 4	FCSV.75X4	4
9	NUT, 3/4"	FNT.75	8
10	BUSHING, 1 X 3/4 X 1	TBIX.75X1	4
11	CAPSCREW, 1 X 5	FCSV1X5	4
12	NUT, 1"	FNT1	8
13	BUSHING, 1-1/4 X 1 X 1	TB1.25X1X1	4
14	PIN	JPT38	2
15	COTTER PIN, 5/16 X 2-1/2	FCOT.313X2.5	4
16	JACK	JACK5000	1

\*See Page 14 for breakdown

DATE 7/15

1 2 3 4 5

# JPT30A AND JSA24 WITH TIRE AND WHEEL



JPT30A, JPT15 AND TIRE		STOESS		CROSS
ITEM #	DESCRIPTION	PART #	PART #	REF. #
1	Spindle on square plate	JSA4		
*2	Spindle washer	SW2.75		
*3	Castle nut, 3/4"	NUTSPIN.75-16		
*4	Cotter pin	FCOT.188X1.5		
5	Hub, 5 on 5-1/2	HUB5-5.5		
**6	Stud bolt	BOLTSTUD		
**7	Stud nut	NUTSTUD		
8	Seal, Canadian Tool & Die	SEALCTD		CR17618
8	Seal, French & Hecht	SEALF&H		CR15209
8	Seal, Electric Wheel	SEALEWC		CR15190
**9	Inner bearing	BEARL		LM48548
**10	Inner race	RACEL		LM48510
**11	Outer race	RACES		LM67010
**12	Outer bearing	BEARS		LM67048
**13	Hub cap	HUBCAP		
14	Wheel, 15 X 5	W15X5		
15	Tire, 7.60 X 15 8 ply	TIRE8P7.6X15		
16	U-bolt, 5/8 X 2-1/2	FUBS.625X2.5		
17	Lockwasher, 5/8"	FLW.625		
18	Nut, 5/8"	FNT.625		
19	Spindle on rect. Plate	JSA24		
20	U-bolt, 5/8 X 3 X 4	FUBS.625X3X4		
	* Included in spindle			
	** Included in hub			

Check imprint lettering on hub to determine correct seal.

DATE 7/15

1

2

3

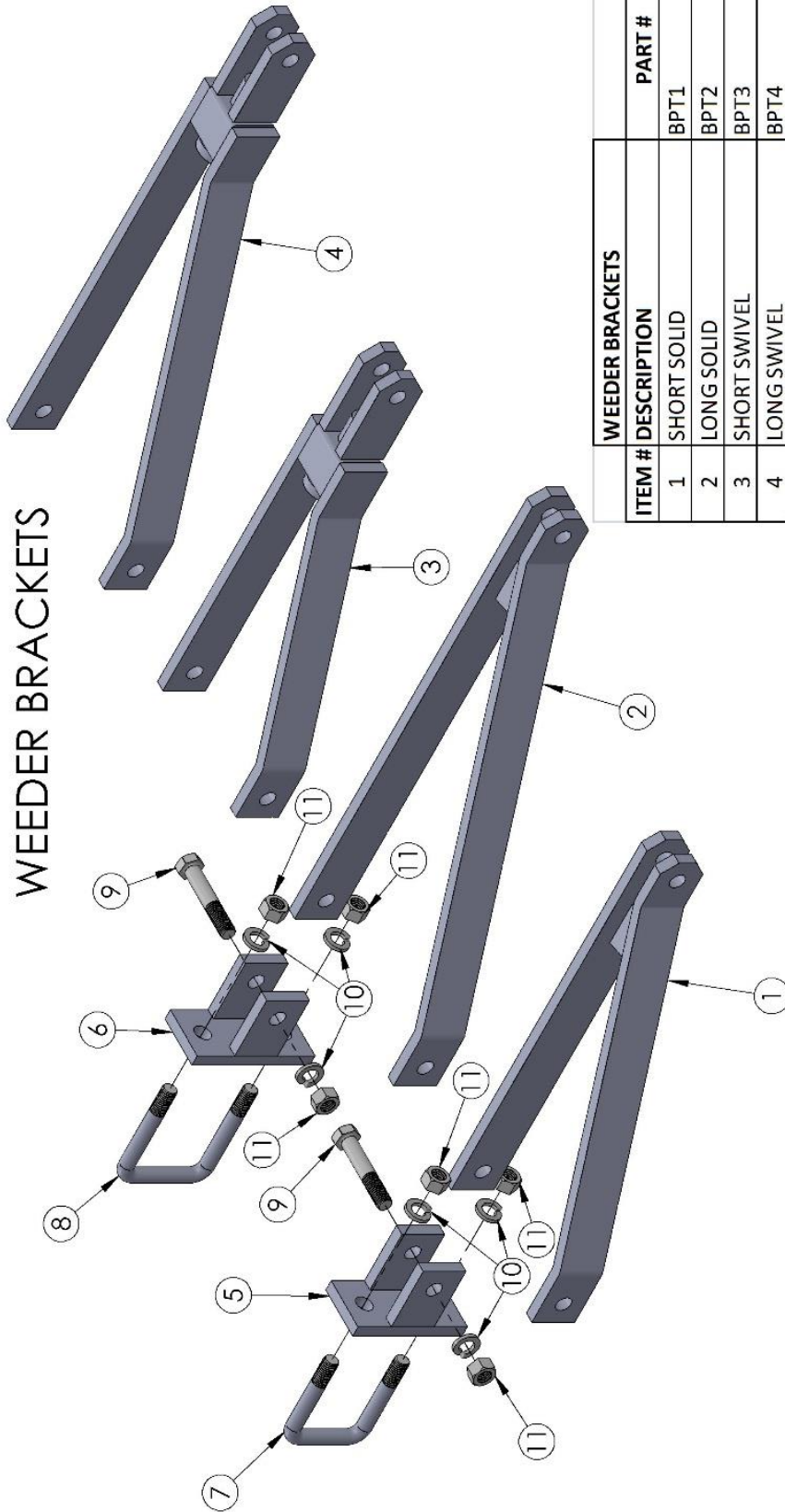
4

5





# WEEDER BRACKETS



ITEM #	WEEDER BRACKETS DESCRIPTION	PART #
1	SHORT SOLID	BPT1
2	LONG SOLID	BPT2
3	SHORT SWIVEL	BPT3
4	LONG SWIVEL	BPT4
5	BRACKET FOR 2-1/2" U-BOLT	BPT10A
5	BPT10A WITH FASTENERS	BPT10B
6	BRACKET FOR 3" U-BOLTS	BPT5
6	BPT5 WITH FASTENERS	BPT5B
7	5/8 X 2-1/2 U-BOLT	FUBS.625X2.5
8	5/8 X 3 X 4 U-BOLT	FUBS.625X3X4
9	CAPSCREW, 5/8 X 2-1/2	FCSV.625X3.5
10	LOCKWASHER, 5/8"	FLW.625
11	NUT, 5/8"	FNT.625

DATE 7/15

1

2

3

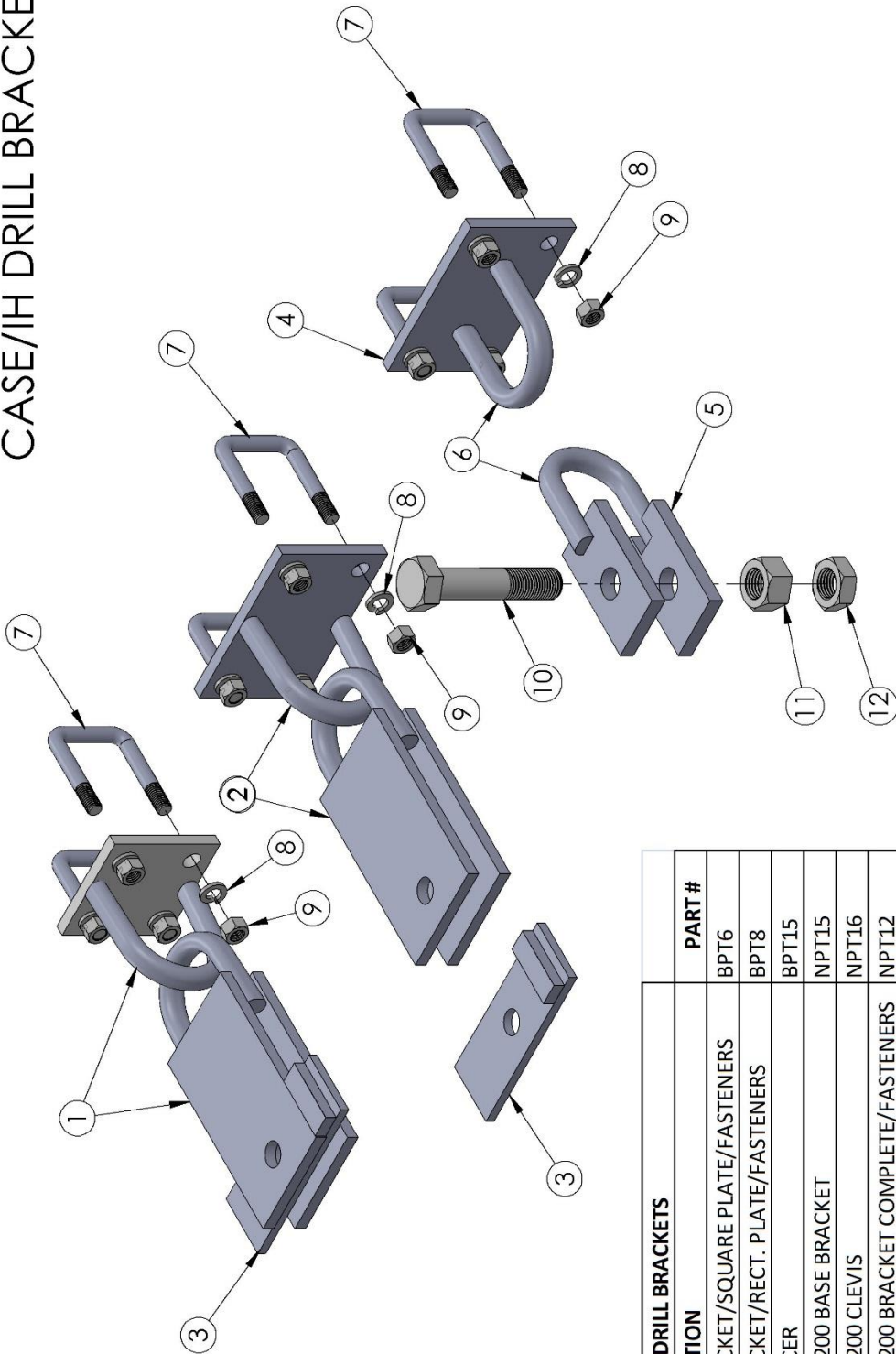
4

5





# CASE/IH DRILL BRACKETS



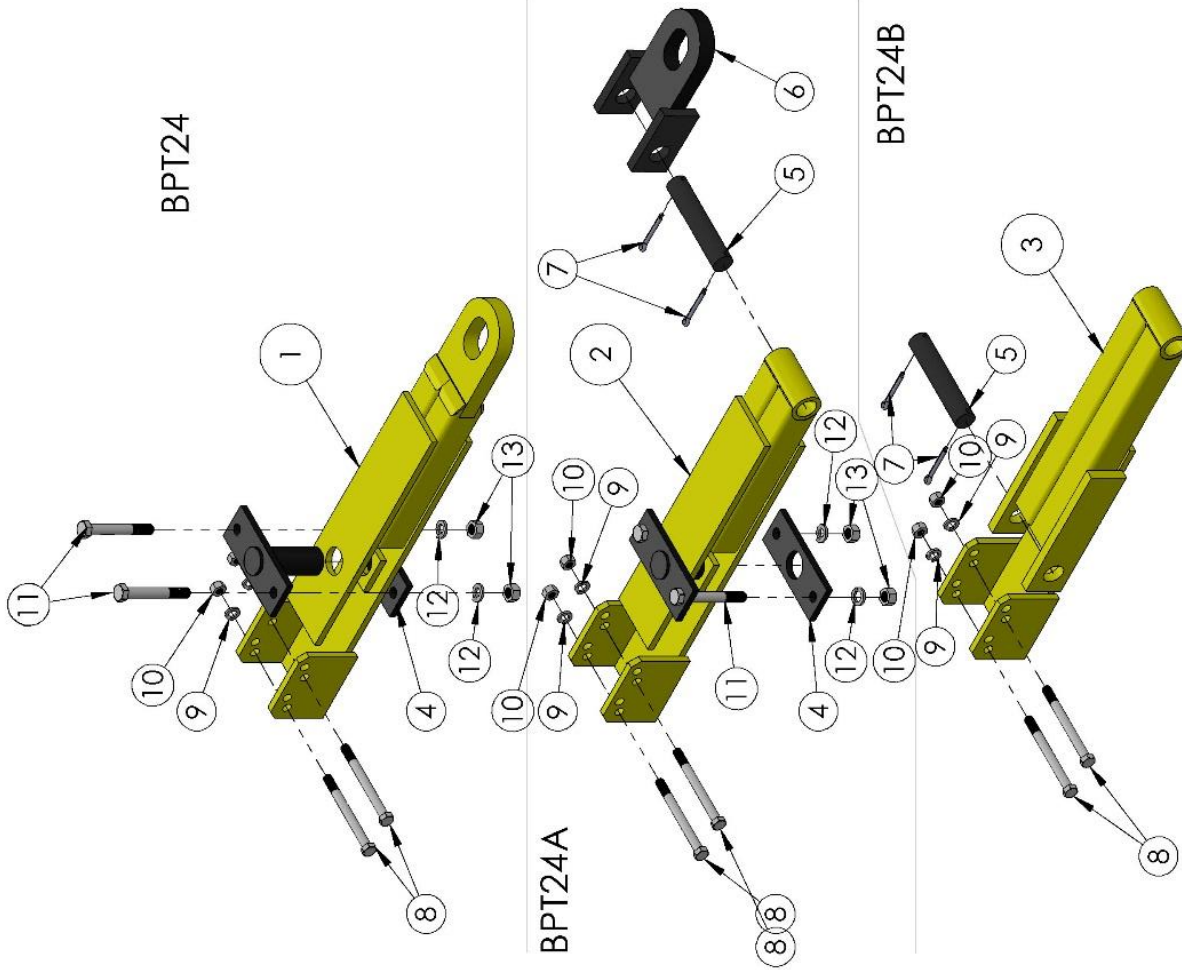
ITEM #	DESCRIPTION	PART #
1	150 BRACKET/SQUARE PLATE/FASTENERS	BPT6
2	150 BRACKET/RECT. PLATE/FASTENERS	BPT8
3	150 SPACER	BPT15
4	5100 & 6200 BASE BRACKET	NPT15
5	5100 & 6200 CLEVIS	NPT16
6	5100 & 6200 BRACKET COMPLETE/FASTENERS	NPT12
7	U-BOLT, 5/8 X 2-1/2	FUB.625X2.5
8	LOCKWASHER, 5/8"	FLW.625
9	NUT, 5/8"	FNT.625
10	CAPSCREW, 1-1/4 X 6	FCSV1.25X6
11	NUT, 1-1/4"	FNT1.25
12	JAM NUT, 1-1/4"	FNTJ1.25

DATE 7/15

1 2 3 4 5

# HITCH EXTENSIONS

ITEM #	DESCRIPTION	PART #	QUANTITY		
			BPT24	BPT24A	BPT24B
1	PIN TO PIN EXT.	BSA28	1		
2	PIN TO FLAPPER EXT.	BSA28A		1	
3	FLAPPER TO FLAPPER EXT.	BSA28B			1
4	INCLUDED	B46	1	1	
5	PIN	JPT18		1	1
6	EYE, 1-1/4"	JPT19		1	
7	COTTER PIN, 5/6 X 2-1/2	FCOT.313X.2.5		2	2
8	CAPSCREW, 5/8 X 7	FCSV.625X7	2	2	2
9	LOCKWASHER, 5/8"	FLW.625	2	2	2
10	NUT, 5/8"	FNT.625	2	2	2
11	CAPSCREW, 3/4 X 5-1/2"	FCSV.75X5.5	2	2	
12	LOCKWASHER, 3/4"	FLW.75	2	2	
13	NUT, 3/4"	FNT.75	2	2	



DATE 7/25

1 2 3 4 5