

STOESS MFG INC.

PARTS CATALOG

"D" Series Hitches for John Deere HZ Drills

FIRST ISSUED JUNE 2015

Stoess Manufacturing Inc.

225 W. North Street
Washtucna, WA 99371
1-888-771-2314

Printed in the United States of America

TABLE OF CONTENTS

"D" Series Hitches

[4JDHZ](#) ----- Page 3

[5JDHZ](#) ----- Page 4

[6JDHZ](#) ----- Page 5

[7JDHZ](#) ----- Page 6

[7JD8ZT](#) ----- Page 7

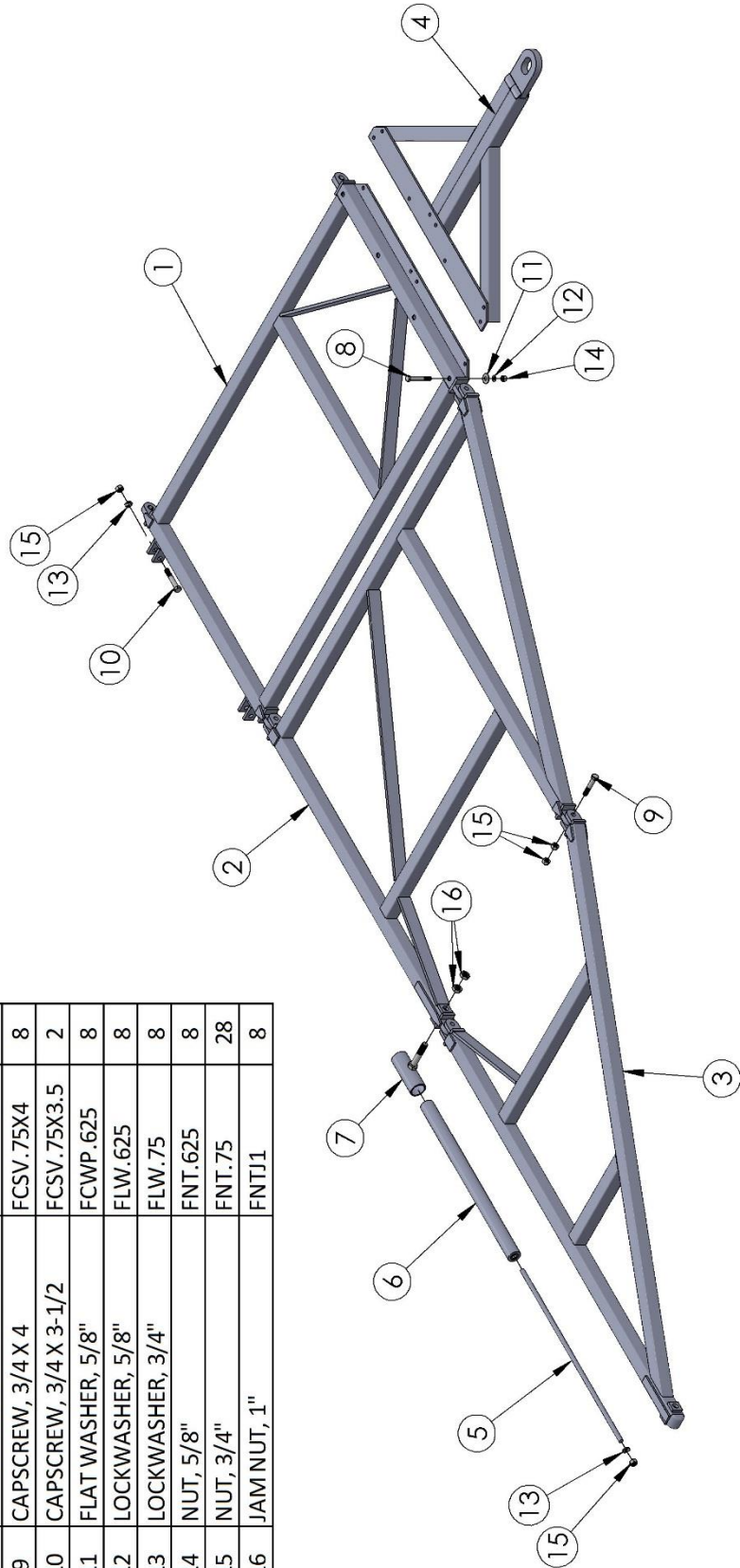
[8JD8Z](#) ----- Page 8

[8JD8ZT](#) ----- Page 9

[HUB/SPINDLE PARTS](#) ----- Page 10

5-UNIT JOHN DEERE HZ DRILL HITCH

5-UNIT D-SERIES			
ITEM #	DESCRIPTION	PART #	REQ.
1	CENTER SECTION	DPT5	1
2	INTERMEDIATE WING	DPT4	2
3	WING	DPT1	2
4	TONGUE	DPT5	1
5	ROD	DPT15	4
6	BAR	DPT17	4
7	SLEEVE	DPT18	4
8	CAPSCREW, 5/8 X 4-1/2	FCSV.625X4.5	8
9	CAPSCREW, 3/4 X 4	FCSV.75X4	8
10	CAPSCREW, 3/4 X 3-1/2	FCSV.75X3.5	2
11	FLAT WASHER, 5/8"	FCWP.625	8
12	LOCKWASHER, 5/8"	FLW.625	8
13	LOCKWASHER, 3/4"	FLW.75	8
14	NUT, 5/8"	FNT.625	8
15	NUT, 3/4"	FNT.75	28
16	JAM NUT, 1"	FNTJ1	8



DATE 6/15

1

2

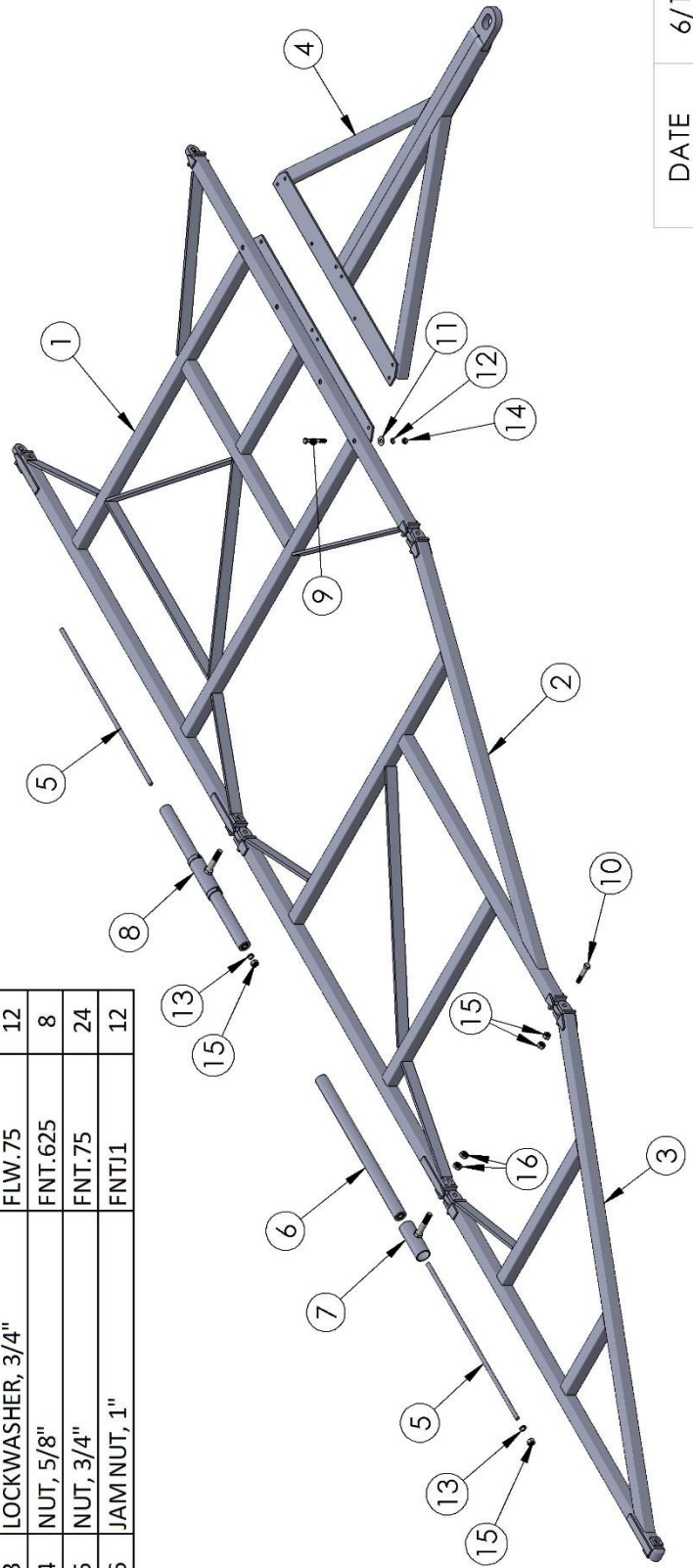
3

4

5

6-UNIT JOHN DEERE HZ DRILL HITCH

6-UNIT D-SERIES			
ITEM #	DESCRIPTION	PART #	REQ.
1	CENTER SECTION	DPT8	1
2	INTERMEDIATE WING	DPT7	2
3	WING	DPT1	2
4	TONGUE	DPT9	1
5	ROD	DPT15	6
6	BAR	DPT17	5
7	SLEEVE	DPT18	5
8	COLLARED BAR	DPT20	1
9	CAPSCREW, 5/8 X 4-1/2	FCSV.625X4.5	8
10	CAPSCREW, 3/4 X 4	FCSV.75	8
11	FLAT WASHER, 5/8"	FCWP.625	8
12	LOCKWASHER, 5/8"	FLW.625	8
13	LOCKWASHER, 3/4"	FLW.75	12
14	NUT, 5/8"	FNT.625	8
15	NUT, 3/4"	FNT.75	24
16	JAM NUT, 1"	FNTJ1	12

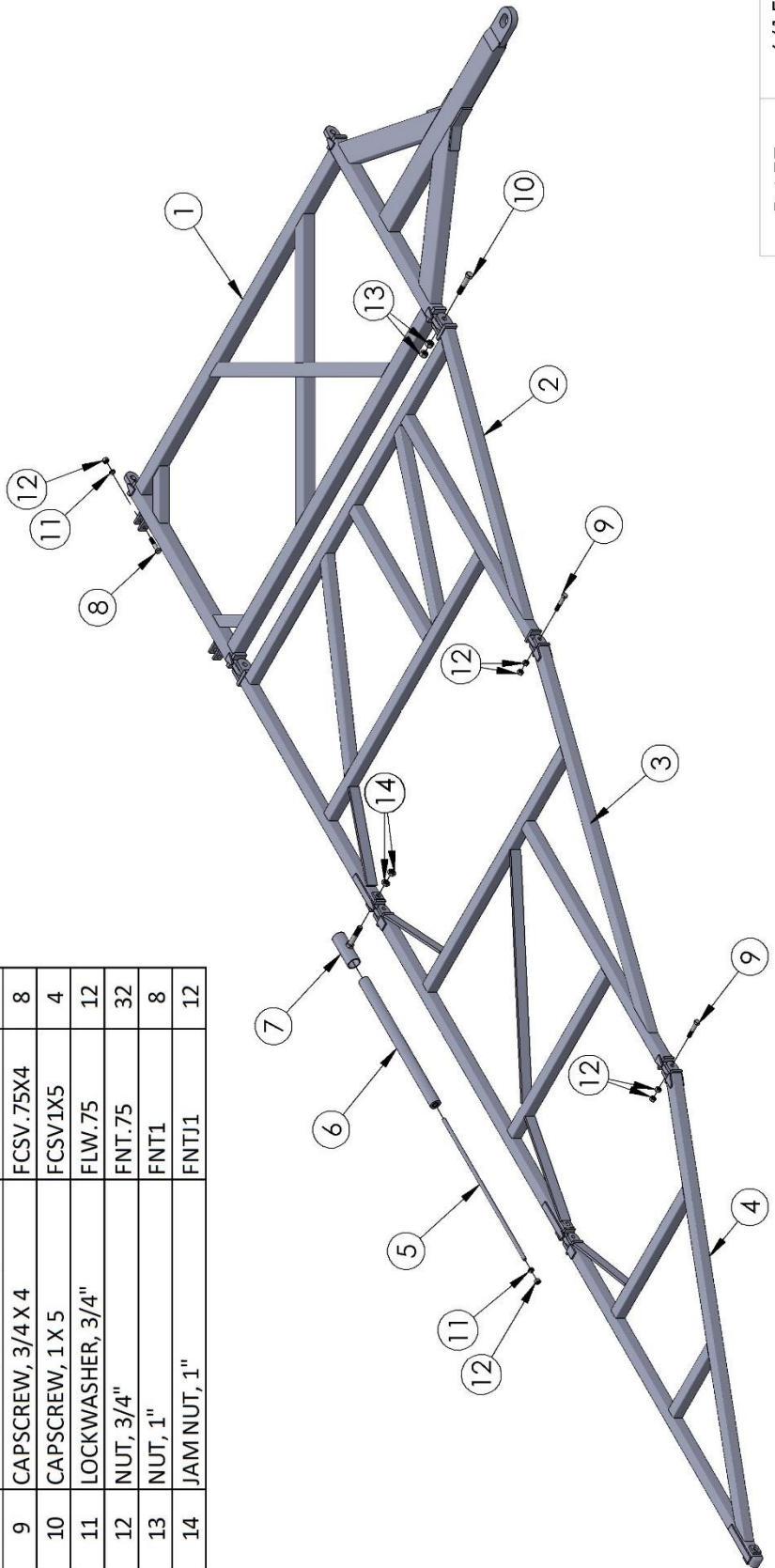


DATE 6/15

1 2 3 4 5

7-UNIT JOHN DEERE HZ DRILL HITCH

7-UNIT D-SERIES			
ITEM #	DESCRIPTION	PART #	REQ.
1	CENTER SECTION	DSA49	1
2	INNER INTERMEDIATE WING	DSA42	2
3	INTERMEDIATE WING	DPT4	2
4	WING	DPT1	2
5	ROD	DPT15	6
6	BAR	DPT17	6
7	SLEEVE	DPT18	6
8	CAPSCREW, 3/4 X 3-1/2	FCSV.75X3.5	2
9	CAPSCREW, 3/4 X 4	FCSV.75X4	8
10	CAPSCREW, 1 X 5	FCSV1X5	4
11	LOCKWASHER, 3/4"	FLW.75	12
12	NUT, 3/4"	FNT.75	32
13	NUT, 1"	FNT1	8
14	JAM NUT, 1"	FNTJ1	12

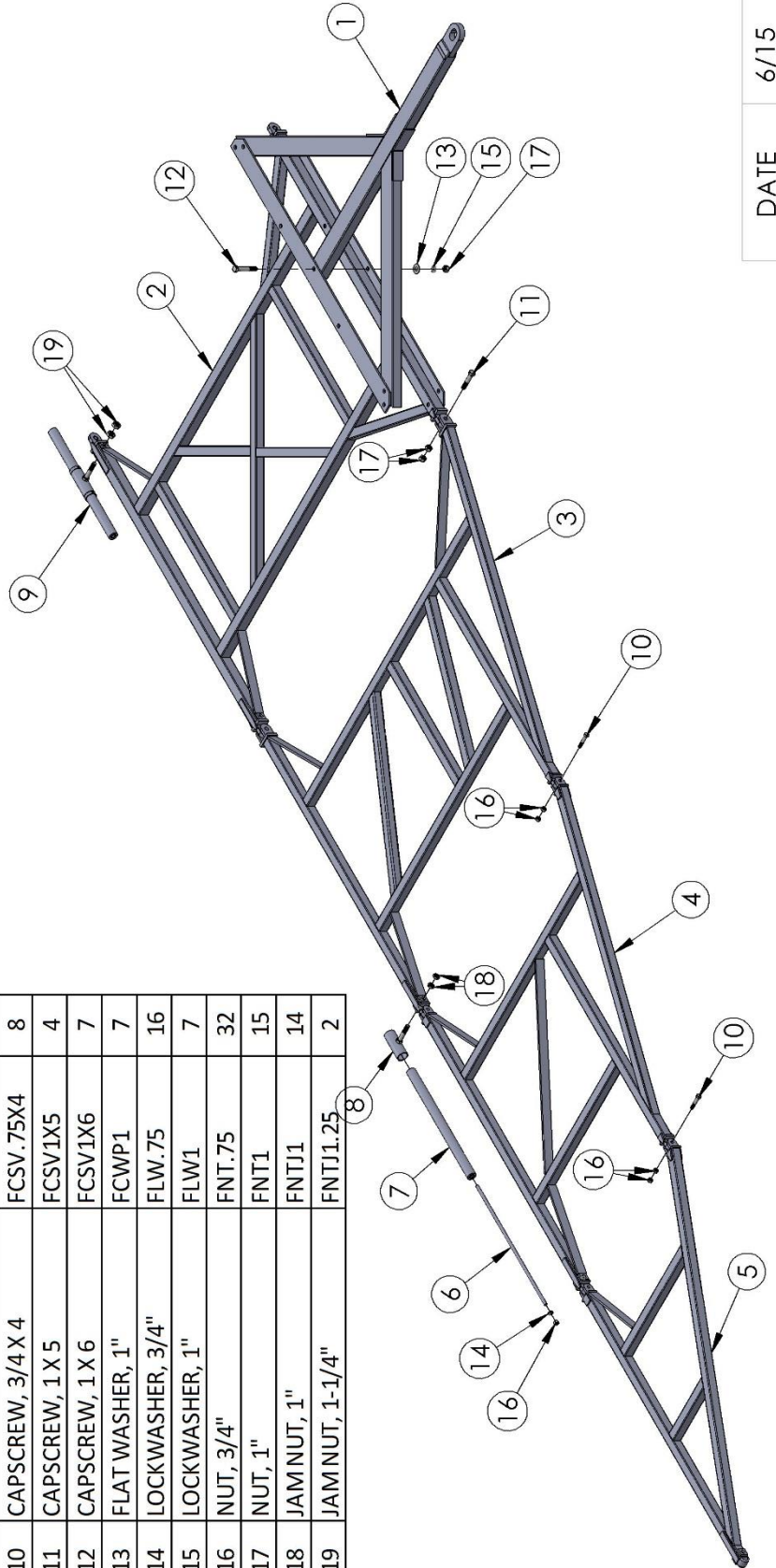


DATE 6/15

1 2 3 4 5

8-UNIT JOHN DEERE HZ DRILL HITCH

8-UNIT D-SERIES			
ITEM #	DESCRIPTION	PART #	REQ.
1	TONGUE	DSA42	1
2	CENTER SECTION	DSA38	1
3	INNER INTERMEDIATE WING	DSA35	2
4	INTERMEDIATE WING	DPT4	2
5	WING	DPT1	2
6	ROD	DPT15	8
7	BAR	DPT17	7
8	SLEEVE	DPT18	7
9	COLLARED BAR	DPT27	1
10	CAPSCREW, 3/4 X 4	FCSV.75X4	8
11	CAPSCREW, 1 X 5	FCSV1X5	4
12	CAPSCREW, 1 X 6	FCSV1X6	7
13	FLAT WASHER, 1"	FCWP1	7
14	LOCKWASHER, 3/4"	FLW.75	16
15	LOCKWASHER, 1"	FLW1	7
16	NUT, 3/4"	FNT.75	32
17	NUT, 1"	FNT1	15
18	JAM NUT, 1"	FNTJ1	14
19	JAM NUT, 1-1/4"	FNTJ1.25	2



DATE 6/15

1

2

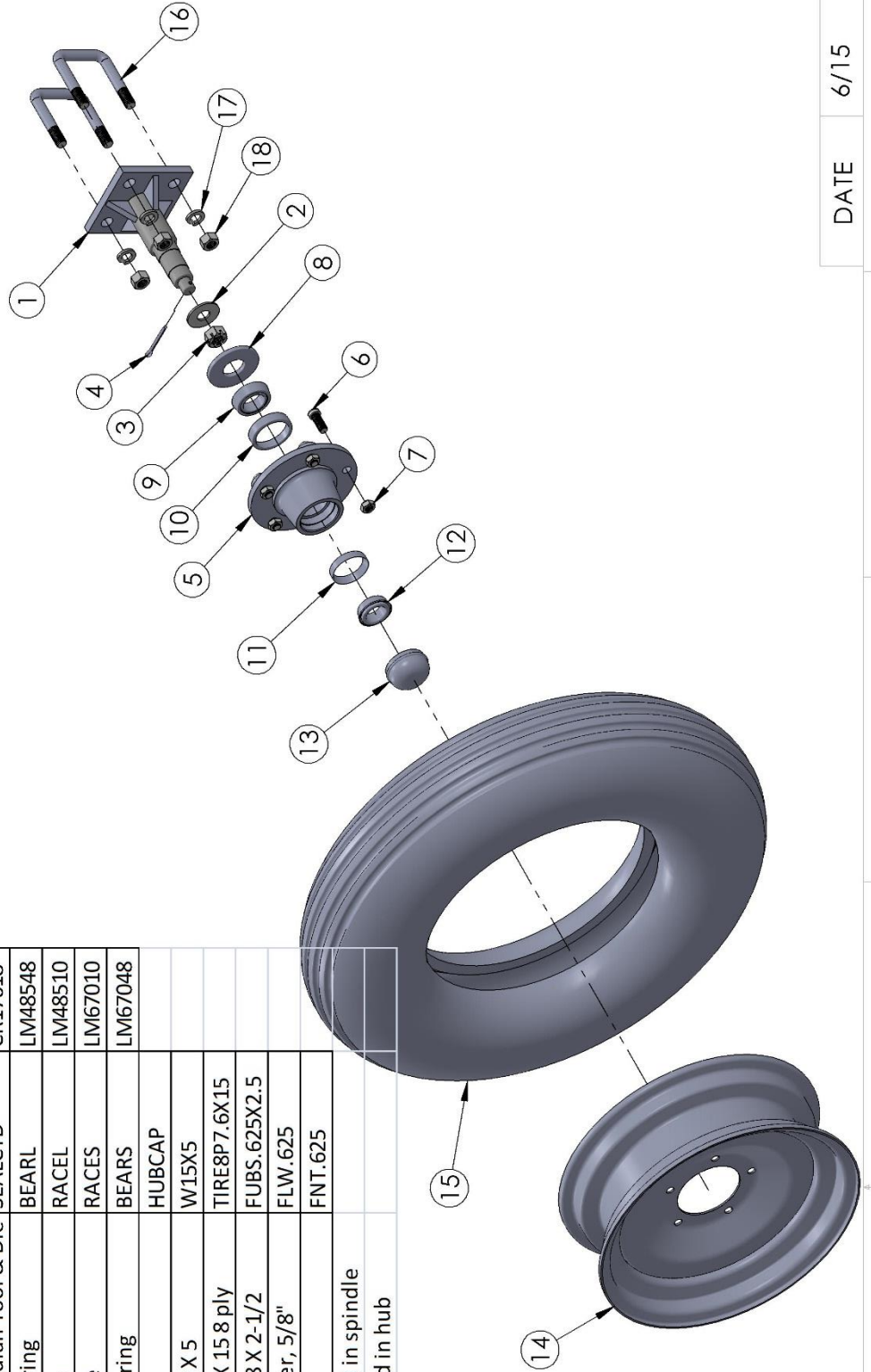
3

4

5

JPT30A WITH TIRE AND WHEEL

JPT30A AND TIRE	STOESS	CROSS	
ITEM #	DESCRIPTION	PART #	REF. #
1	Spindle on square plate	JSA4	
*2	Spindle washer	SW2.75	
*3	Castle nut, 3/4"	NUTSPIN.75-16	
*4	Cotter pin	FCOT.188X1.5	
5	Hub, 5 on 5-1/2	HUB5-5.5	
**6	Stud bolt	BOLTSTUD	
**7	Stud nut	NUTSTUD	
8	Seal, Canadian Tool & Die	SEALCTD	CR17618
**9	Inner bearing	BEARL	LM48548
**10	Inner race	RACEL	LM48510
**11	Outer race	RACES	LM67010
**12	Outer bearing	BEARS	LM67048
**13	Hub cap	HUBCAP	
14	Wheel, 15 X 5	W15X5	
15	Tire, 7.60 X 15 8 ply	TIRE8P7.6X15	
16	U-bolt, 5/8 X 2-1/2	FUBS.625X2.5	
17	Lockwasher, 5/8"	FLW.625	
18	Nut, 5/8"	FNT.625	
	* Included in spindle		
	**Included in hub		



DATE 6/15

1

2

3

4

5