

STOESS MFG INC.

**Header Cart
PARTS CATALOG**

FIRST ISSUED JUNE 2015

Stoess Manufacturing Inc.

225 W. North Street
Washtucna, WA 99371
1-888-771-2314

Printed in the United States of America

TABLE OF CONTENTS

Header Cart

[JOHN DEERE BEAMS](#) ----- Page 3

[CASE BEAMS](#) ----- Page 4

[AGCO/NEW HOLLAND BEAMS](#)-----Page 5

[MCDON BEAMS](#) ----- Page 6

[JOHN DEERE CRADLE PARTS](#) ----- Page 7

[CASE CRADLE PARTS](#) ----- Page 8

[AGCO/NEW HOLLAND CRADLE AND PARTS](#) ----- Page 9

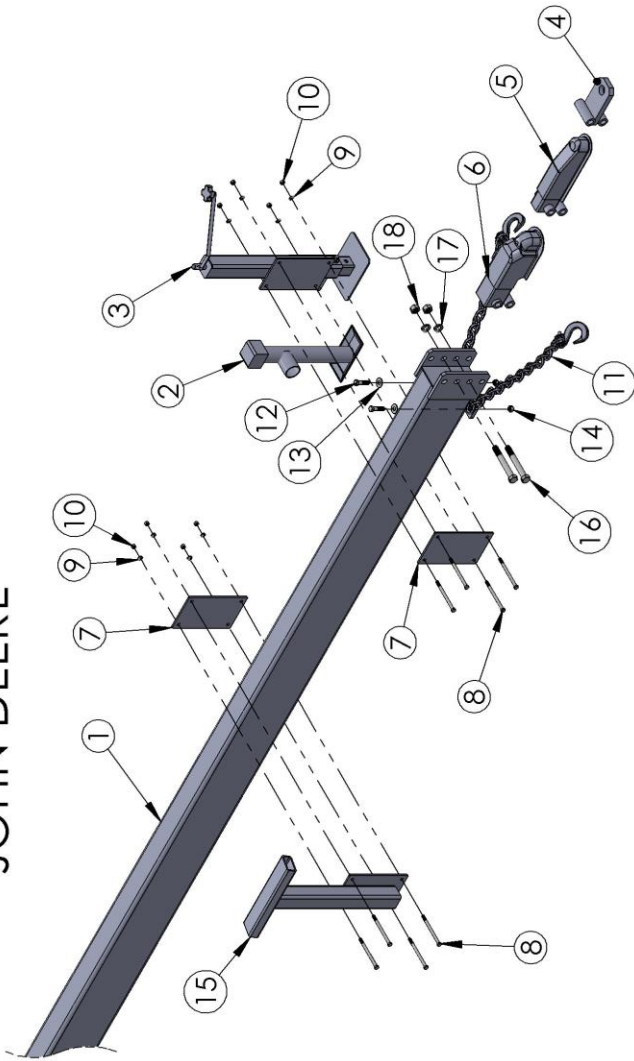
[MCDON CRADLE AND PARTS](#) ----- Page 10

[AXLE PARTS](#) -----Page 11

[MPT36 5-BOLT HUB ASSEMBLY PARTS](#) -----Page 12

[MPT40 6-BOLT HUB ASSEMBLY PARTS](#) -----Page 13

JOHN DEERE



JD BEAM PARTS		
ITEM #	DESCRIPTION	PART #
4	DROP PIN EYE	MPT18
5	2" BALL COUPLER	MPT19
6	2-5/16" BALL COUPLER	MPT20
7	JACK BACKUP PLATE	MPT63
8	CAPSCREW, 3/8 X 5-1/2	FCSV.375X5.5
9	LOCKWASHER, 3/8"	FLW.375
10	NUT, 3/8"	FNT.375
11	SAFETY CHAIN (SET)	SAFETYCHAIN.375
12	CAPSCREW, 1/2 X 2	FCSE.5X2
13	FLAT CUT WASHER, 1/2"	FCWP.5
14	NYLOCK NUT, 1/2"	FNTLN.5
*15	DRAPER POST	MPT72
16	CAPSCREW, 3/4 X 6	FCSV.75X6
17	LOCKWASHER, 3/4"	FLW.75
18	NUT, 3/4"	FNT.75
*Used on M9EWG only		

JOHN DEERE HEADER CARTS	BEAMS				JACKS			
	PART NUMBERS	MPT32	MPT21	MPT37	MPT16	MPT58	MPT73	MPT62
REFERENCE #	1	1	1	1	1	1	1	3
MODEL #	DESCRIPTION	24X.188	24 X .25	30X.25	30X.375	35X.375	40X.375	
M8WG	JD 25' RIGID	1						1
M8AWG	JD 25' FLEX	1						1
M8CWG	JD 25' CORN		1					1
M9WG	JD 30' RIGID			1				1
M9AWG	JD 30' FLEX			1				1
M9BWG	JD 35' FLEX					1		1
M9CWG	JD 30' CORN				1			1
M9EWG	JD 35' DRAPER					1		1
M15WG	JD 25 - 30' DRAPER			1				1
MD635DF	JD 635 DRAPER FLEX					1		1
MD640DF	JD 640 DRAPER FLEX						1	1
				4			1	3

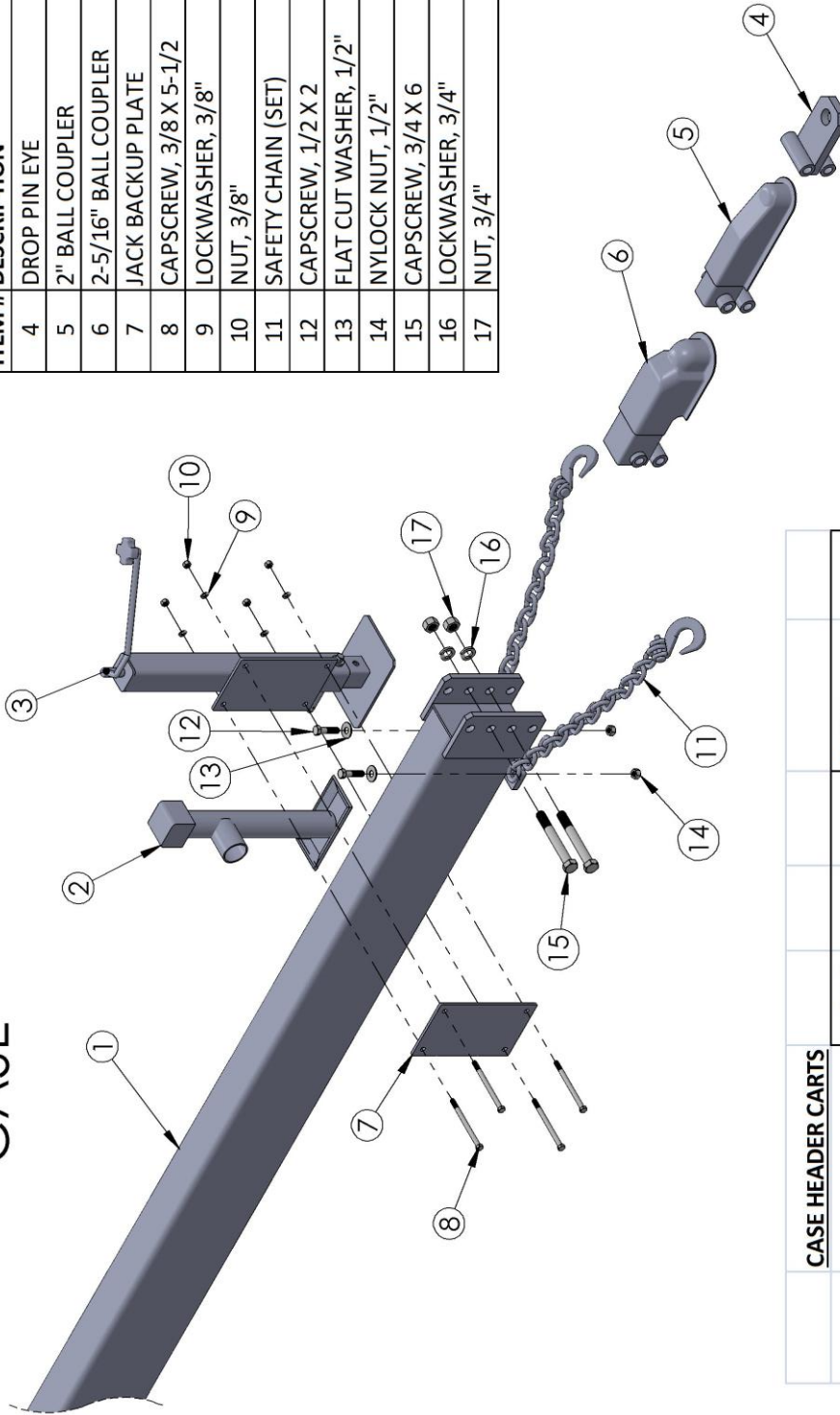
DATE 5/15

1

2

5

CASE



BEAM PARTS		PART #
ITEM #	DESCRIPTION	
4	DROP PIN EYE	MPT18
5	2" BALL COUPLER	MPT19
6	2-5/16" BALL COUPLER	MPT20
7	JACK BACKUP PLATE	MPT63
8	CAPSCREW, 3/8 X 5-1/2	FCSV.375X5.5
9	LOCKWASHER, 3/8"	FLW.375
10	NUT, 3/8"	FNT.375
11	SAFETY CHAIN (SET)	SAFETYCHAIN.375
12	CAPSCREW, 1/2 X 2	FCSE.5X2
13	FLAT CUT WASHER, 1/2"	FCWP.5
14	NYLOCK NUT, 1/2"	FNTLN.5
15	CAPSCREW, 3/4 X 6	FCSV.75X6
16	LOCKWASHER, 3/4"	FLT.75
17	NUT, 3/4"	FNT.75

MODEL #	DESCRIPTION	BEAMS		JACKS		
		MPT32	MPT37	MPT58	JACK5000X10	MPT62
M11WG	CASE 20'-25' RIGID	1	1	1	2	3
M12WG	CASE 30' RIGID					
M13WG	CASE 35' TERRA FLEX			1		
M18WG	CASE 30' DRAPER			1		
M20WG	CASE 30' FLEX			1		

5

4

3

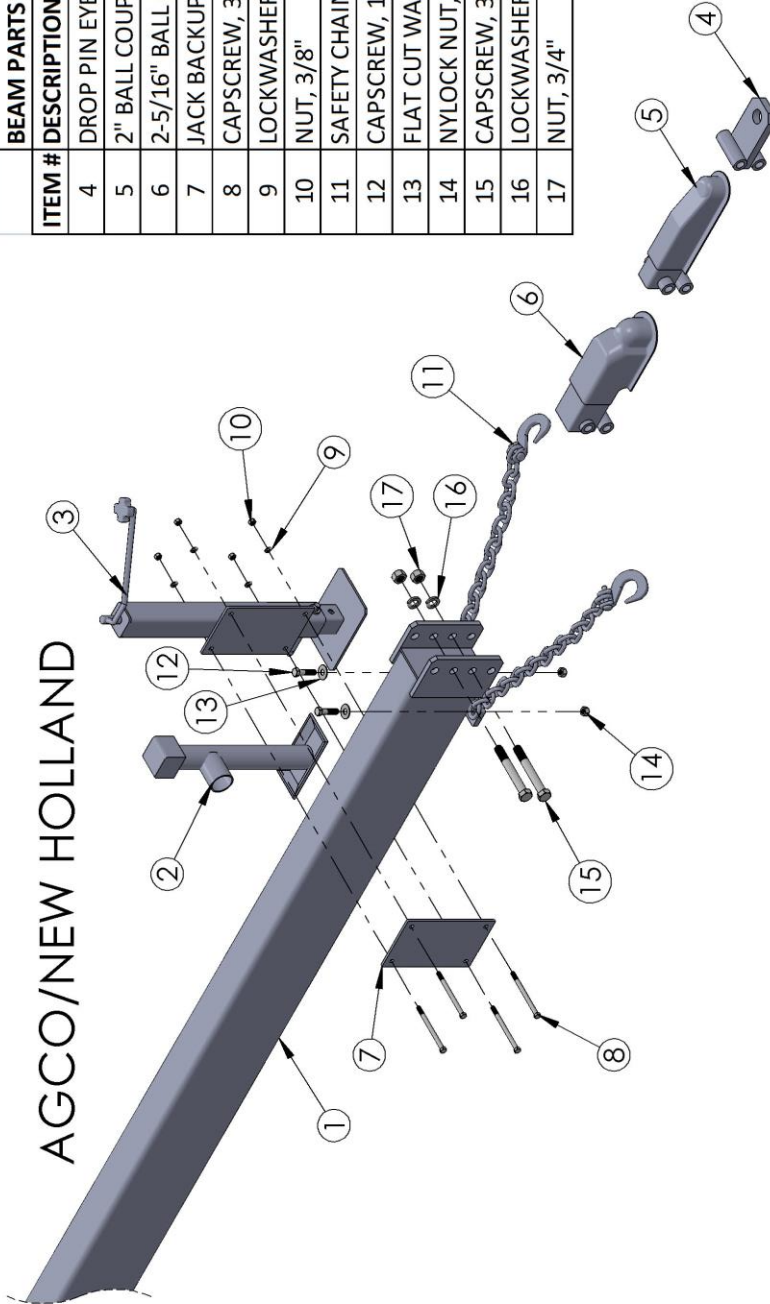
2

1

DATE 5-15

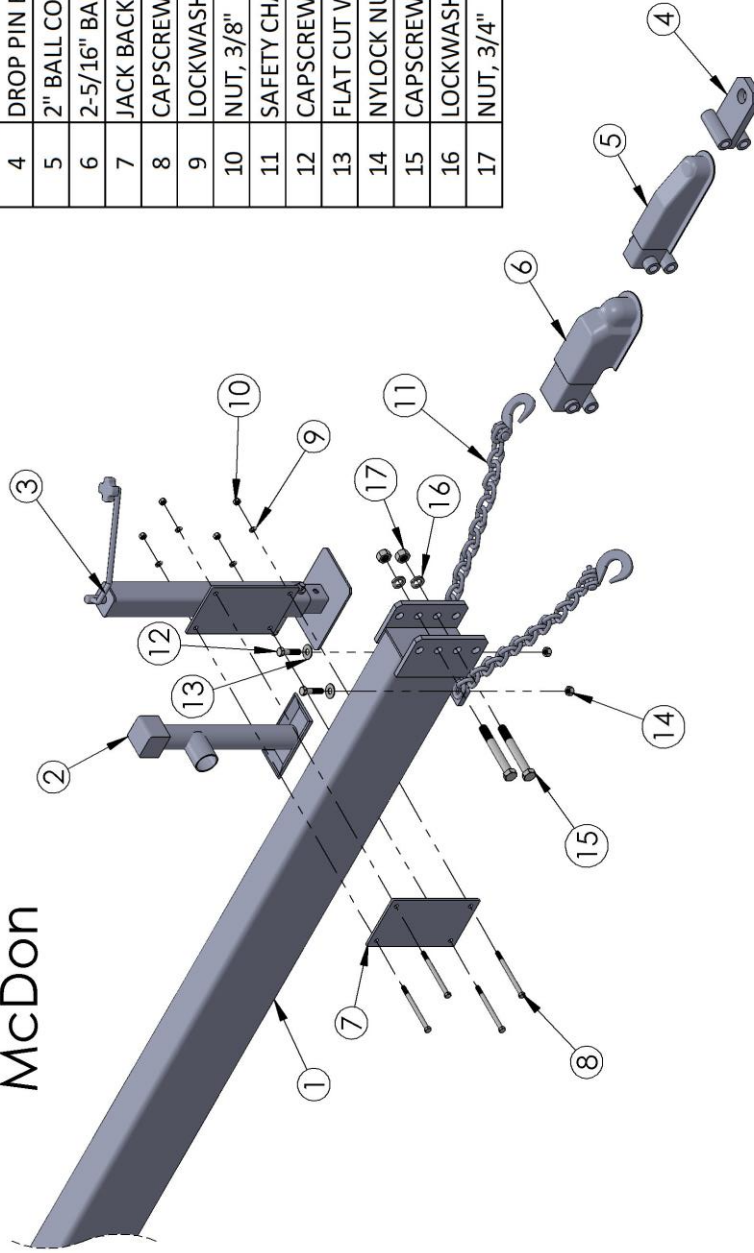
AGCO/NEW HOLLAND

BEAM PARTS		
ITEM #	DESCRIPTION	PART #
4	DROP PIN EYE	MPT18
5	2" BALL COUPLER	MPT19
6	2-5/16" BALL COUPLER	MPT20
7	JACK BACKUP PLATE	MPT63
8	CAPSCREW, 3/8 X 5-1/2	FCSV.375X5.5
9	LOCKWASHER, 3/8"	FLW.375
10	NUT, 3/8"	FNT.375
11	SAFETY CHAIN (SET)	SAFETYCHAIN.375
12	CAPSCREW, 1/2 X 2	FCSE.5X2
13	FLAT CUT WASHER, 1/2"	FCWP.5
14	NYLOCK NUT, 1/2"	FNTLN.5
15	CAPSCREW, 3/4 X 6	FCSV.75X6
16	LOCKWASHER, 3/4"	FLT.75
17	NUT, 3/4"	FNT.75



AGCO/NEW HOLLAND HEADER CARTS												
MODEL #	BEAMS			JACKS			SAFETY CHAINS			OTHER PARTS		
	REFERENCE #	PART NUMBERS	DESCRIPTION	REFERENCE #	PART NUMBERS	DESCRIPTION	REFERENCE #	PART NUMBERS	DESCRIPTION	REFERENCE #	PART NUMBERS	DESCRIPTION
M10WG	24X.188	MPT32	AGCO/NH 20-25' FLEX	MPT21	MPT37	MPT16	MPT58	MPT73	MPT62			
M10AWG	30X.25	MPT32	AGCO/NH 27-30' FLEX	MPT21	MPT37	MPT16	MPT58	MPT73	MPT62			
M16WG	30X.25	MPT32	AGCO/NH 20-25' RIGID	MPT21	MPT37	MPT16	MPT58	MPT73	MPT62			
M17WG	30X.25	MPT32	AGCO/NH 27-30' RIGID	MPT21	MPT37	MPT16	MPT58	MPT73	MPT62			
M19WG	30X.25	MPT32	NEW HOLLAND 30' CORN	MPT21	MPT37	MPT16	MPT58	MPT73	MPT62			
M19AWG	30X.25	MPT32	NEW HOLLAND 24' CORN	MPT21	MPT37	MPT16	MPT58	MPT73	MPT62			
M21WG	30X.25	MPT32	AGCO 35' DRAPER FLEX	MPT21	MPT37	MPT16	MPT58	MPT73	MPT62			
M27WG	30X.25	MPT32	AGCO 40' DRAPER FLEX	MPT21	MPT37	MPT16	MPT58	MPT73	MPT62			

McDon

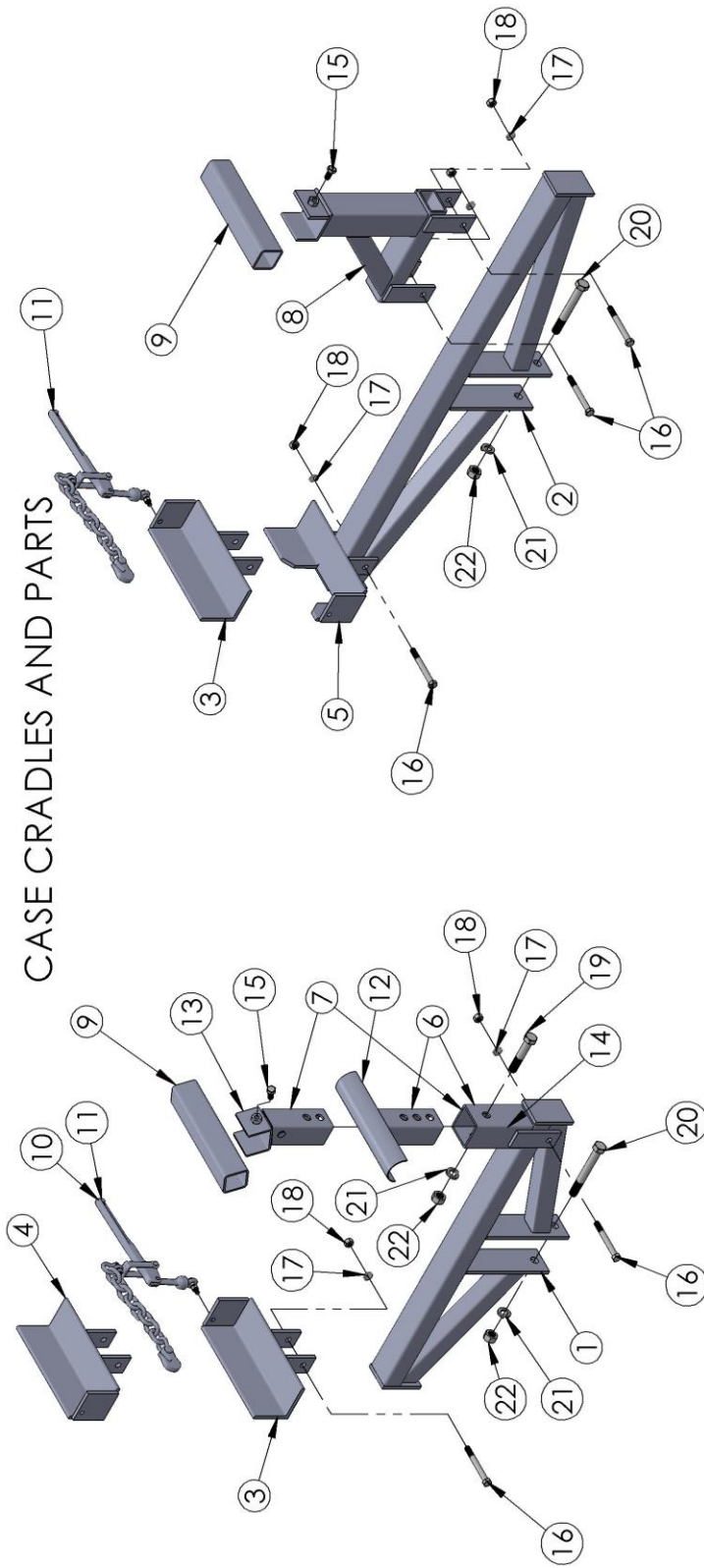


ITEM #	DESCRIPTION	PART #
4	DROP PIN EYE	MPT18
5	2" BALL COUPLER	MPT19
6	2-5/16" BALL COUPLER	MPT20
7	JACK BACKUP PLATE	MPT63
8	CAPSCREW, 3/8 X 5-1/2	FCSV.375X5.5
9	LOCKWASHER, 3/8"	FLW.375
10	NUT, 3/8"	FNT.375
11	SAFETY CHAIN (SET)	SAFETYCHAIN.375
12	CAPSCREW, 1/2 X 2	FCSE.5X2
13	FLAT CUT WASHER, 1/2"	FCWP.5
14	NYLOCK NUT, 1/2"	FNTLN.5
15	CAPSCREW, 3/4 X 6	FCSV.75X6
16	LOCKWASHER, 3/4"	FLT.75
17	NUT, 3/4"	FNT.75

MODEL #	DESCRIPTION	BEAMS				JACKS	
		MPT32	MPT37	MPT58	MPT73	JACK5000X10	MPT62
24X.188	30 X .25	1	1	1	1	2	3
M15AWG	MCDON 24' 972 DRAPER	1				1	
M24WG	MCDON 25' D60 SWATHER	1				1	
M23WG	MCDON 30' D60 RIGID		1				1
M22WG	MCDON 35' D60 RIGID			1			1
M28WG	MCDON 35' FD75			1			1
M29WG	MCDON 40' FD75				1		1

DATE 5/15

CASE CRADLES AND PARTS



REF #	DESCRIPTION	PART #
12	POST TOP RIGID	MPT46
13	POST TOP FLEX	MSA19
14	POST BOTTOM	MPT47
15	CAPSCREW, 1/2 X 1	FCSV.5X1
16	CAPSCREW, 1/2 X 4-1/2	FCSV.5X4.5
17	LOCKWASHER, 1/2"	FLW.5
18	NUT, 1/2"	FNT.5
19	CAPSCREW, 3/4 X 4	FSCV.75X4
20	CAPSCREW, 3/4 X 6	FSCV.75X6
21	LOCKWASHER, 3/4"	FLW.75
22	NUT, 3/4"	FNT.75

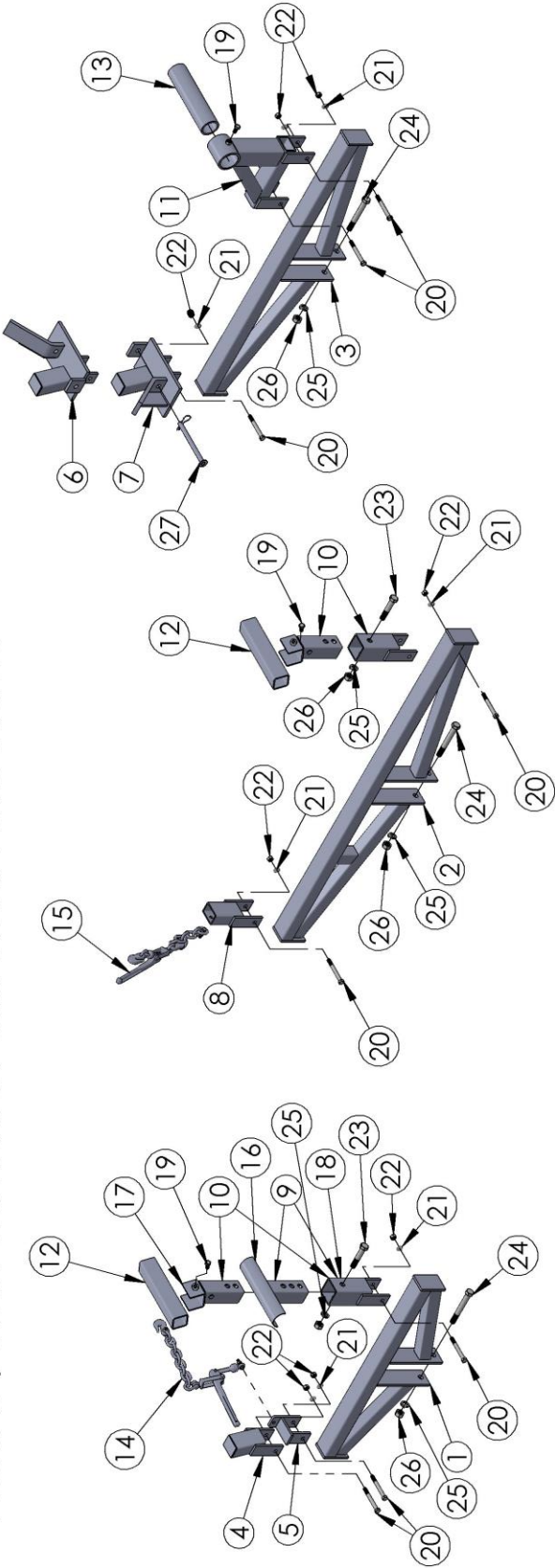
Fasteners included in parts.

MODEL #	REFERENCE #	PART NUMBERS														
		MPT10	MPT23	MPT391T	MPT391C	MPT48	MPT15	MPT38	MPT41-10	MPT41-30	MPT41-35	MPT42	MPT42A			
M11WG	CASE 20-25' RIGID	1	2	3	4	5	6	7	8	9	9	9	10	11		
M12WG	CASE 30' RIGID	2	1	1	2								1			
M13WG	CASE 35' TERRA FLEX	4	1	1	4								1			
M18WG	CASE 30' DRAPER	4	1	1	4				4			1	2			
M20WG	CASE 30' FLEX	4	1	1	4				2	1		1	1			

DATE 5/15

5 4 3 2 1

AGCO / NEW HOLLAND CRADLES AND PARTS

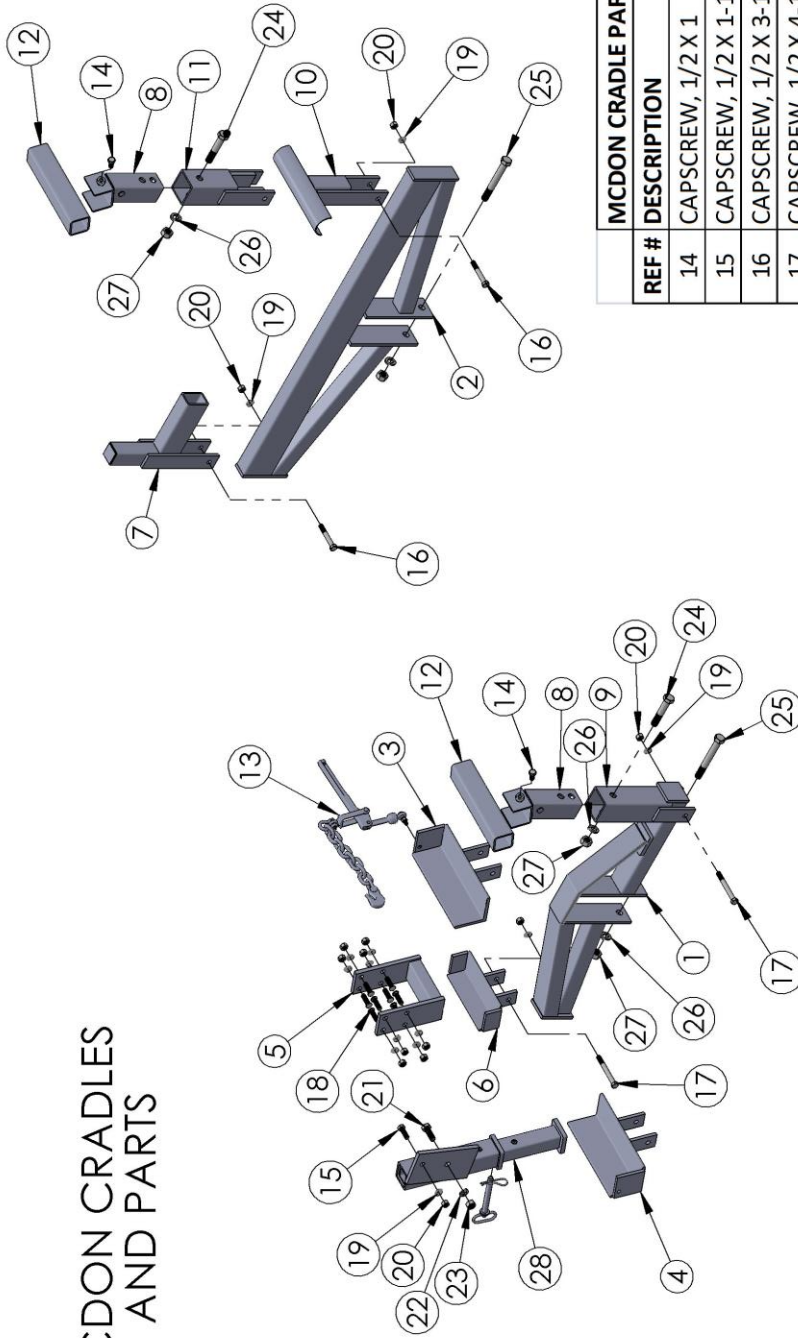


REF #	DESCRIPTION	PART #
16	POST TOP RIGID	MPT46
17	POST TOP FLEX	MSA19
18	POST BOTTOM	MPT47
19	CAPSCREW, 1/2 X 1	FCSV.5X1
20	CAPSCREW, 1/2 X 4-1/2	FCSV.5X4.5
21	LOCKWASHER, 1/2"	FLW.5
22	NUT, 1/2"	FNT.5
23	CAPSCREW, 3/4 X 4	FSCV.75X4
24	CAPSCREW, 3/4 X 6	FSCV.75X6
25	LOCKWASHER, 3/4"	FLW.75
26	NUT, 3/4"	FNT.75
27	PIN	MPT61

Fasteners included in parts.

AGCO / NEW HOLLAND HEADER CARTS	CRADLES										BACK SUPPORTS			POSTS			SUPPORT BARS			BINDERS	
	MPT10	MPT10B	MPT12	MPT13	MPT13T	MPT13T	MPT13T	MPT13T	MPT13T	MPT13T	MPT15	MPT15	MPT15	MPT15	MPT15	MPT15	MPT15	MPT15	MPT15	MPT15	
MODEL #	REFERENCE #	1	2	3	4	5	6	7	8	9	10	11	12	12	12	12	12	13	13	14	15
M10WG	AGCO 20-25' FLEX	2			2	1					2		1							1	
M10AWG	AGCO 27-30' FLEX				2	1					3		1							1	
M16WG	AGCO/NH 20-25' RIGID				2	1				2										1	
M17WG	AGCO/NH 27-30' RIGID				2	1				3										1	
M19WG	NH 30' CORN			2			1	1				1						1			
M19AWG	NH 24' CORN			2			1	1				1						1			
M21WG	AGCO 35' DRAPER-FLEX			4					4												2
M27WG	AGCO 40' DRAPER-FLEX			4					4												2

MCDON CRADLES AND PARTS

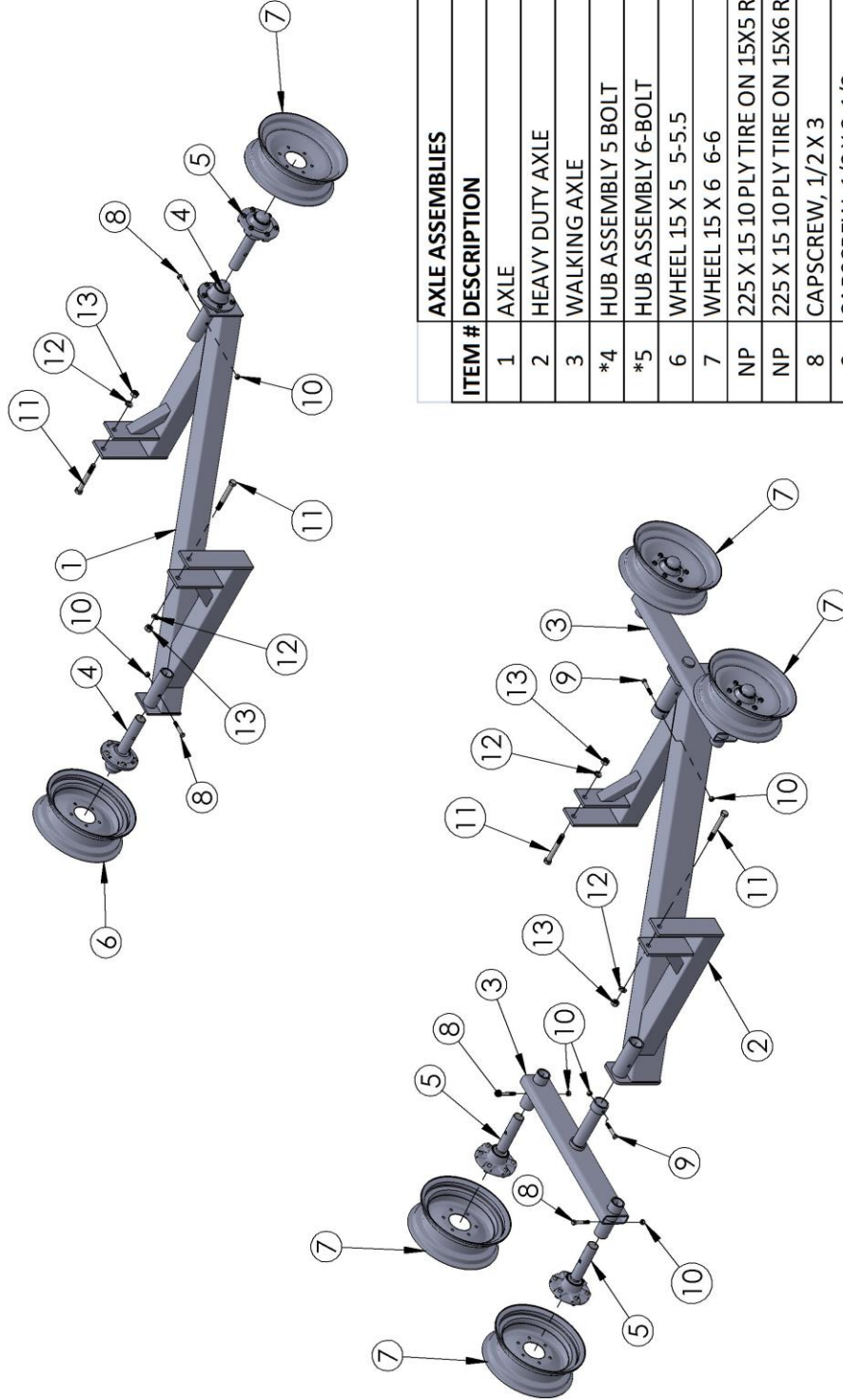


Fasteners are included in parts.

REF #	DESCRIPTION	PART #
14	CAPSCREW, 1/2 X 1	FCSV.5X1
15	CAPSCREW, 1/2 X 1-1/2	FCSV.5X1.5
16	CAPSCREW, 1/2 X 3-1/2	FCSV.5X3.5
17	CAPSCREW, 1/2 X 4-1/2	FCSV.5X4.5
18	CARRIAGE BOLT, 1/2 X 1-1/2	FCB.5X1.5
19	LOCKWASHER, 1/2"	FLW.5
20	NUT, 1/2"	FNT.5
21	CAPSCREW, 5/8 X 1-3/4	FCSV.625X1.75
22	LOCKWASHER 5/8"	FLW.625
23	NUT, 5/8"	FNT.625
24	CAPSCREW, 3/4 X 4	FSCV.75X4
25	CAPSCREW, 3/4 X 6	FSCV.75X6
26	LOCKWASHER, 3/4"	FLW.75
27	NUT, 3/4"	FNT.75
28	PARKING STAND	MPT59
29	HITCH PIN, 5/8 X 4-1/2	FHP.625X4.5

MCDON HEADER CARTS	CRADLES				BACK SUP.				POSTS				BARS				BINDERS			
	MPT23C	MPT67	MPT39LT	MPT39RTC	MPT65	MPT68	MSA19	MSA5A	MPT69	MPT79	MPT41-10	MPT41-35	MPT41-40	MPT41-40	MPT41-40	MPT41-40	MPT41-40	MPT41-40		
MODEL #	1	2	3	4	5	6	7	8	9	10	11	12	12	12	12	13				
REFERENCE #	1	2	1	1				2	2			1				1				
M15AWG MCDON 972 DRAPER	2							2	2			1								
M24WG MCDON 25' D60 SWATHER	2			2	2			2	2			1								
M23WG MCDON 30' D60 RIGID	2									2										
M22WG MCDON 35' D60 RIGID	2									2										
M28WG MCDON FD75 35'	4							2		4		1								
M29WG MCDON FD75 40'	4							2		4		1								

HEADER CART AXLES



ITEM #	AXLE ASSEMBLIES DESCRIPTION	PART #
1	AXLE	MPT33
2	HEAVY DUTY AXLE	MPT323H
3	WALKING AXLE	MPT26A
*4	HUB ASSEMBLY 5 BOLT	MPT36
*5	HUB ASSEMBLY 6-BOLT	MPT40
6	WHEEL 15 X 5 5-5.5	W15X5
7	WHEEL 15 X 6 6-6	W15X6
NP	225 X 15 10 PLY TIRE ON 15X5 RIM	EPT715
NP	225 X 15 10 PLY TIRE ON 15X6 RIM	EPT225-6
8	CAPSCREW, 1/2 X 3	FCSV.5X3
9	CAPSCREW, 1/2 X 3-1/2	FCSV.5X3.5
10	NYLOCK NUT, 1/2"	FNTLN.5
11	CAPSCREW, 3/4 X 6	FCSV.75X6
12	LOCKWASHER, 3/4"	FLW.75
13	NUT, 3/4"	NUT.75

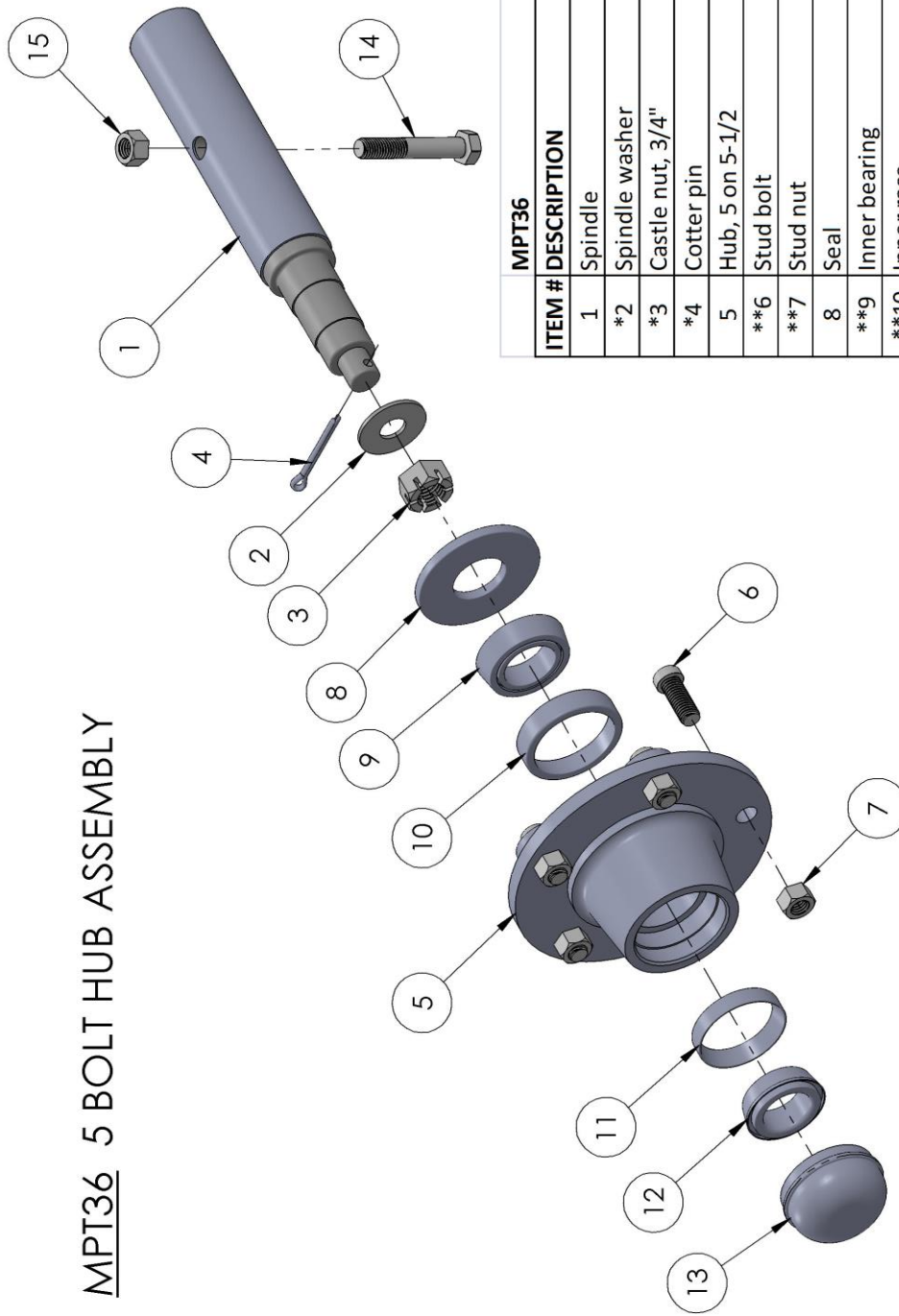
*SEE MPT36 AND MPT40 FOR PARTS BREAKDOWN FOR HUBS AND SPINDLE ASSEMBLIES

Fasteners are included in parts.

DATE 5/15

1 2 3 4 5

MPT36 5 BOLT HUB ASSEMBLY



ITEM #	DESCRIPTION	STOESS PART #	CROSS REF. #
1	Spindle		
*2	Spindle washer	SW2.75	
*3	Castle nut, 3/4"	NUTSPIN.75-16	
*4	Cotter pin	FCOT.188X1.5	
5	Hub, 5 on 5-1/2	HUB5-5.5	
**6	Stud bolt	BOLTSTUD	
**7	Stud nut	NUTSTUD	
8	Seal	SEALCTD	CR17618
**9	Inner bearing	BEARL	LM48548
**10	Inner race	RACEL	LM48510
**11	Outer race	RACES	LM67010
**12	Outer bearing	BEARS	LM67048
**13	Hub cap	HUBCAP	
14	Capscrew, 1/2 X 3	FCSV.5X3	
15	Nylock nut, 1/2"	FNTLN.5	
	* Included in spindle		
	** Included in hub		

DATE 5/15

1

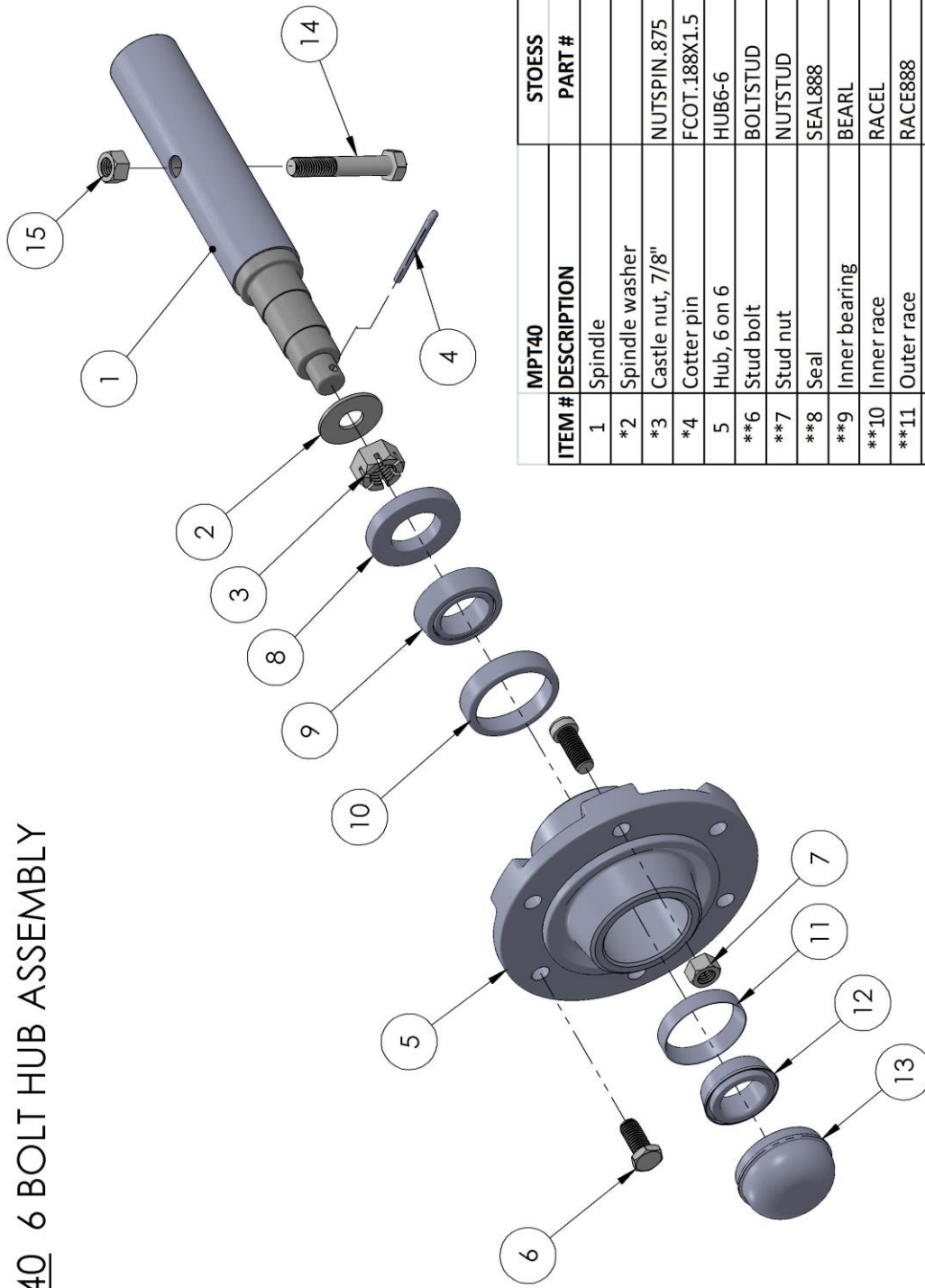
2

3

4

5

MPT40 6 BOLT HUB ASSEMBLY



ITEM #	DESCRIPTION	STOESS PART #	CROSS REF. #
1	Spindle		
*2	Spindle washer		
*3	Castle nut, 7/8"	NUTSPIN .875	
*4	Cotter pin	FCOT.188X1.5	
5	Hub, 6 on 6	HUB6-6	
**6	Stud bolt	BOLTSTUD	
**7	Stud nut	NUTSTUD	
**8	Seal	SEAL888	
**9	Inner bearing	BEARL	LM48548
**10	Inner race	RACEL	LM48510
**11	Outer race	RACE888	
**12	Outer bearing	BEAR888	
**13	Hub cap	HUBCAP6	
14	Capscrew, 1/2 X 3	FCSV.5X3	
15	Nylock nut, 1/2"	FNTLN.5	
	* Included in spindle		
	** Included in hub		

1
2
3
4
5