

# Adjustable Tilt Roof Mount System



## Features

1. Adjustable tilt angle per different request
2. Highly pre-assembled parts on factory can save installation time on site and labor cost
4. Waterproof EPDM rubber integrated
5. Hardware included
6. Customized request can accept

## Technical Information

Item No.	Description	Length of Rear Leg
MG-AD-FL	Front Leg	~
MG-AD-RL10/15	Rear Leg, adjustable angle 10~15°	240~360mm
MG-AD-RL15/30	Rear Leg, adjustable angle 15~30°	340~680mm
MG-AD-RL30/60	Rear Leg, adjustable angle 30~60°	700~1200mm



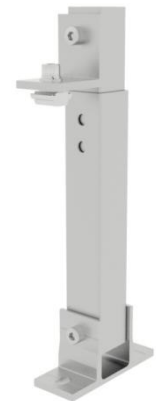
**Front Leg**



**Connect to rail**

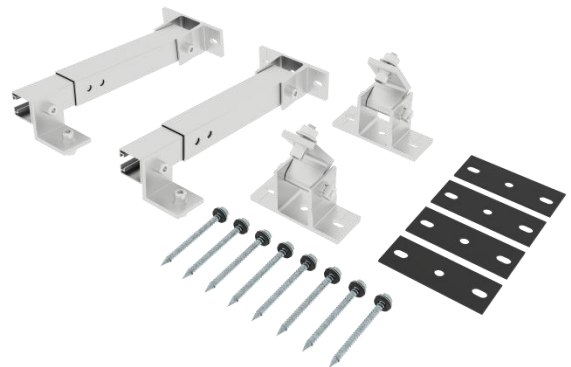


**Connect to rail**



**Rear Leg**

## Installation Display



**Components List (for 1 panel)**

# Flat Roof Mount System I



## Features:

1. Adjustable tilt angle per different request;
2. Highly pre-assembled parts on factory can save installation time on site and labor cost;
3. Simple and fast installation;
4. Hardware included;
5. Customized request can accept.

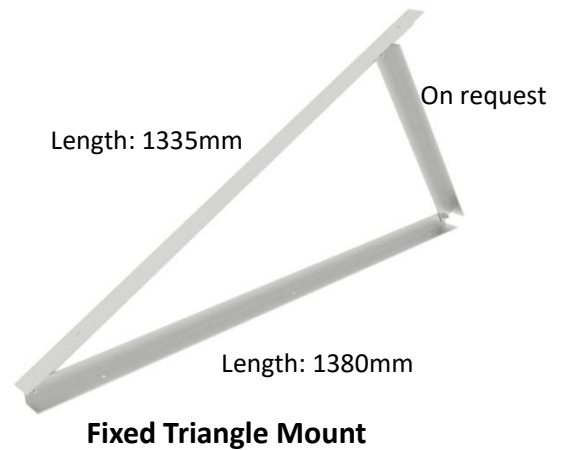
## Technical information

Application: Commercial & residential area

Max Wind Speed: 60m/s

Material: Aluminum 6005-T5

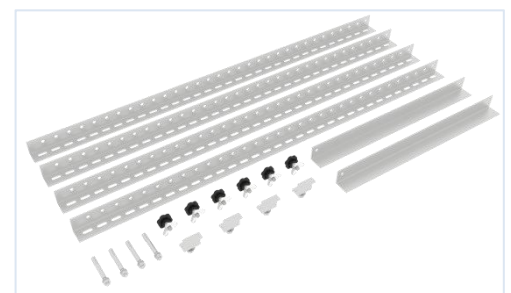
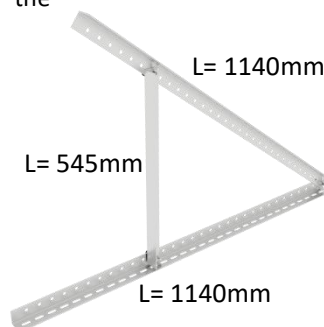
Fixed Triangle Mount		
Item No.	Description	Length of Back Tilt
MG-FT-RM-15	Fixed Triangle Mount, Tilt angle 15°	405mm
MG-FT-RM-20	Fixed Triangle Mount, Tilt angle 20°	505mm
MG-FT-RM-30	Fixed Triangle Mount, Tilt angle 30°	705mm



Adjustable Triangle Mount		
Item No.	Description	Adjustable Angle Range
MG-AT-RM-10/15	Adjustable Triangle Mount, 10/15°	10~15°
MG-AT-RM-15/30	Adjustable Triangle Mount, 15/30°	15~30°

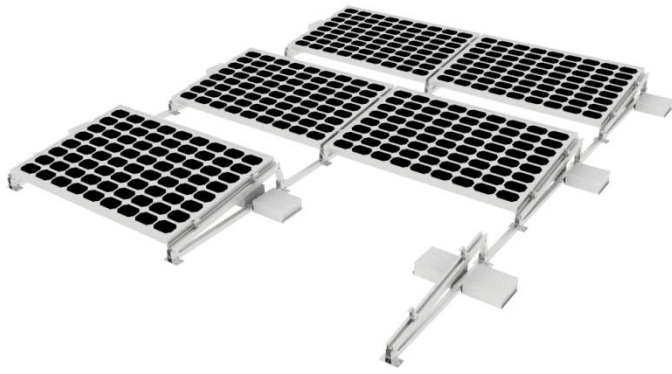
## Installation Display

Suitable for installation on flat roofs and walls, the angle is adjustable from 0 to 90 degrees.



**Components List (for 1 panel)**

# Flat Roof Mount System



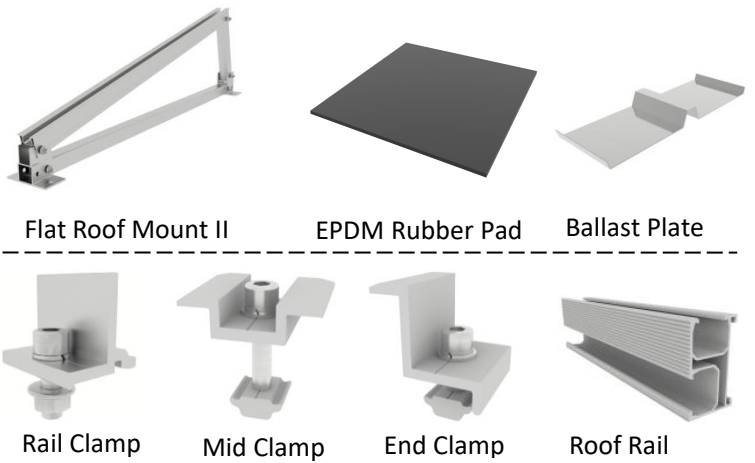
## Introduction

Flat Roof Mount System II is suitable for flat roof and tilt roof. Fixed angle and adjustable angle are both acceptable, you can choose one way to install, it will improve the applicability. This system will not damage the roof waterproof structure. Products are fully used aluminum alloy AL6005-T5 and stainless steel 304, it makes products has strongly corrosion resistance. The components are pre-assembled in factory, it makes installation easy and quick to save your cost and time.

## Technical Information:

- Installation Site: Flat Roof or Pitched Roof
- Max Wind Speed: <60 m/s
- Max Snow Load: <1.4 KN / M2
- Fixed Angle: 5° ~ 60°
- Adjustable Angle : 5° ~ 15°, 15° ~ 30°, 30° ~ 60°
- Anti-corrosion: Anodized Aluminum 6005-T5 & Stainless Steel 304
- Warranties: 12 years warranties & 20 years service life

## Components List



## Pre-assembled Part Installation



## Foundation Type



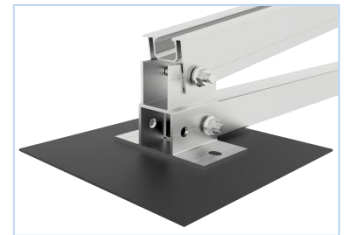
Rail-less & Ballast Foundation



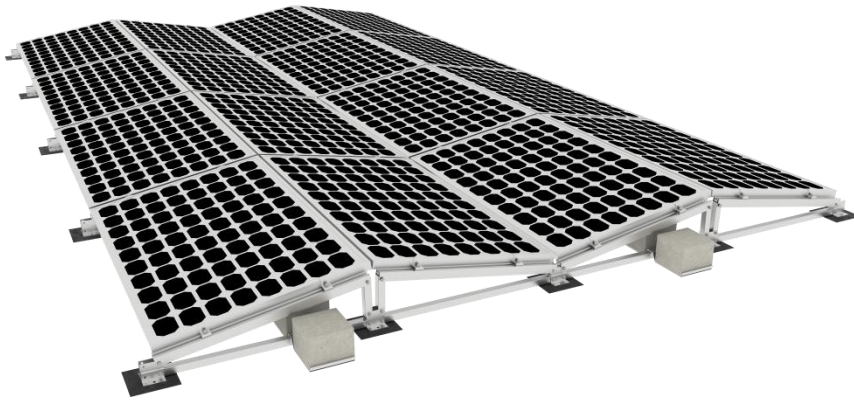
Ballast Foundation



Concrete Block Foundation



# Flat Roof Mount System III(East-West)



## Technical Information:

- Installation Site: Flat Roof
- Module Orientation: Landscape
- Material: Aluminum 6005-T5
- Max Wind Speed: <60m/s
- Max Snow Load: <1.4 KN/M2
- Tilt Angle: 5° ~ 30°
- Warranties: 12 Years

## Features & Benefits

- Non-Penetrating to roof
- Pre-assembled parts for simple and fast installation
- Minimize roof space limitation
- Fixed angle or adjustable angle both acceptable
- Rail-less
- Suitable for all orientations installation
- Optimize high power production

## Components List



EPDM Rubber Pad



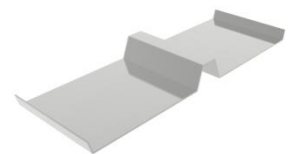
East-West Flat Roof Mount



Mid Clamp



End Clamp



Ballast Plate

## Pre-assembled Mount Installation



## Specification



# Flat Roof Mount System IV (Two Rows)



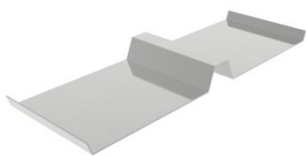
## Features & Benefits

- a) Non-Penetrating to roof
- b) Pre-assembled parts for simple and fast installation
- c) Rail-less
- d) Hardware included
- e) Customized request can be accepted

## Technical Information:

- Installation Site: Flat Roof
- Module Orientation: Landscape
- Material: Aluminum 6005-T5
- Max Wind Speed: <60 m/s
- Max Snow Load: <1.4 KN/M2
- Tilt Angle: 5° ~ 30°
- Warranties: 12 Years

## Components List



Ballast Plate



Mid Clamp

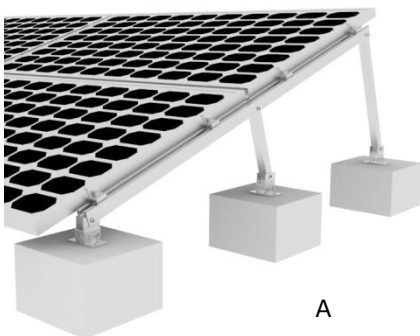


End Clamp

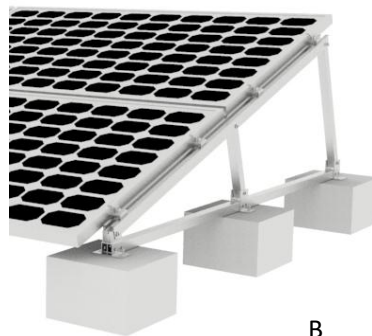


Pre-assembled Flat Roof Mount

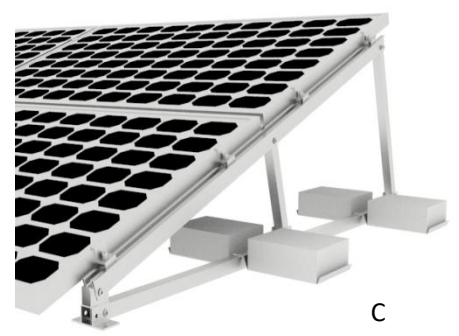
## Application Type



A

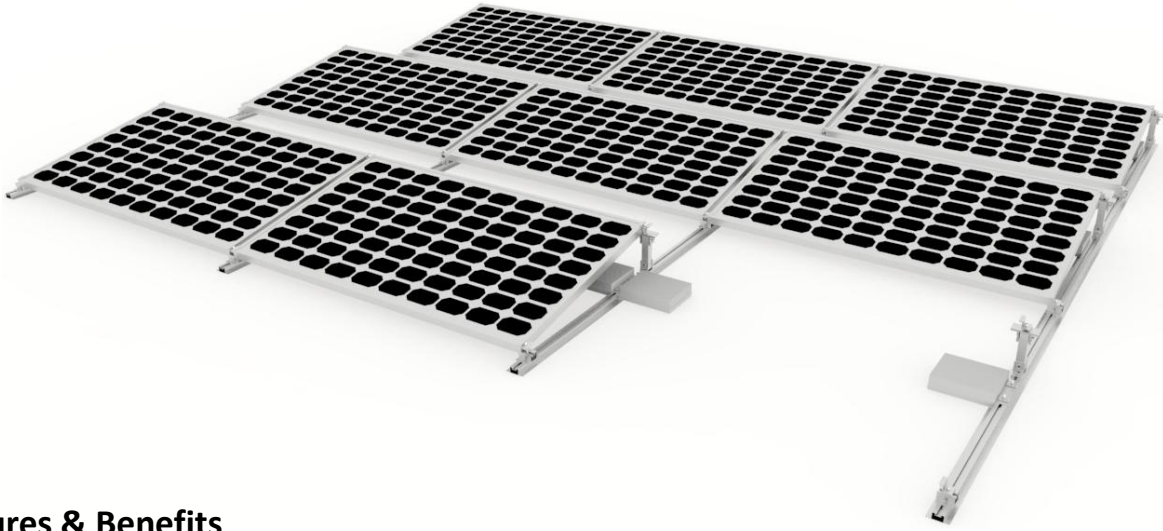


B



C

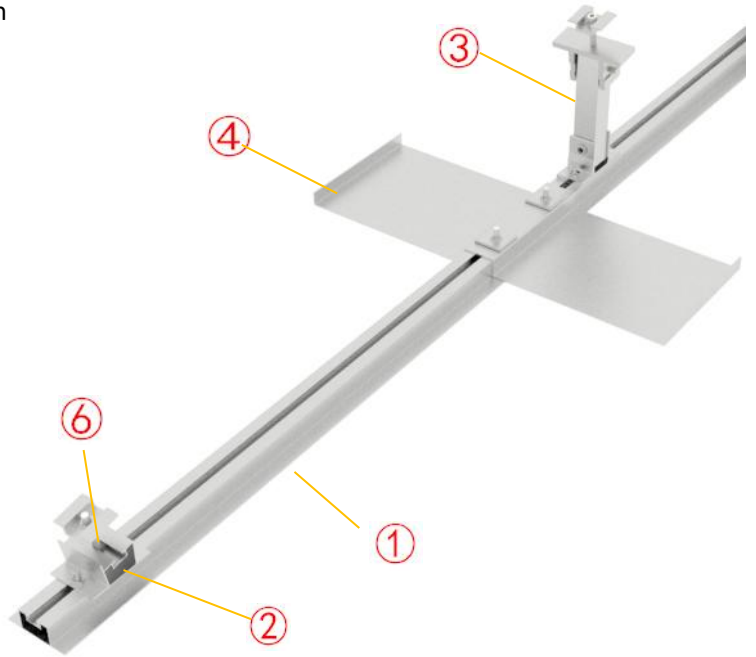
## Aluminum Ballasted Flat Roof Mount



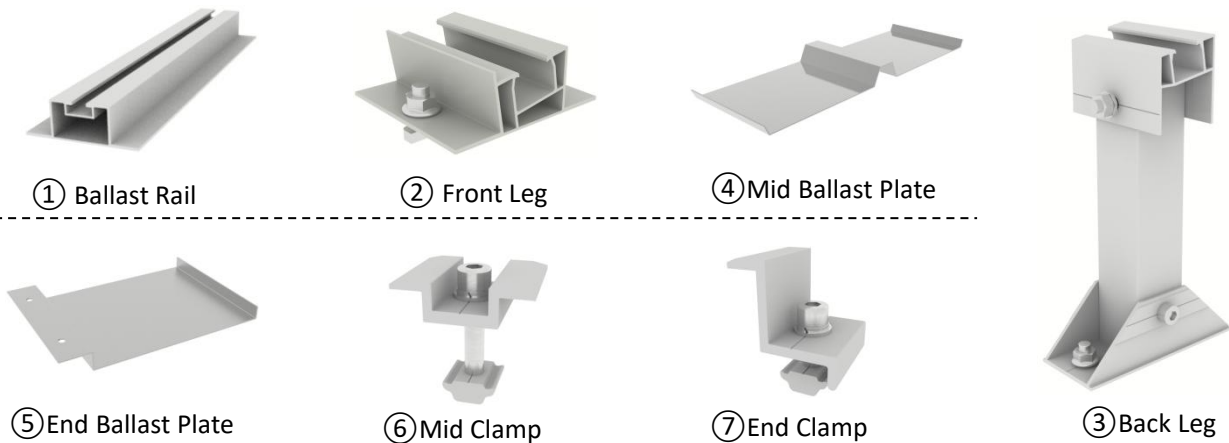
### Features & Benefits

1. Pre-assembled parts for simple and fast installation
2. Non-Penetrating to rafters
3. Easily works around obstacles and uneven terrain
4. Light, sturdy material for a cost-efficient system

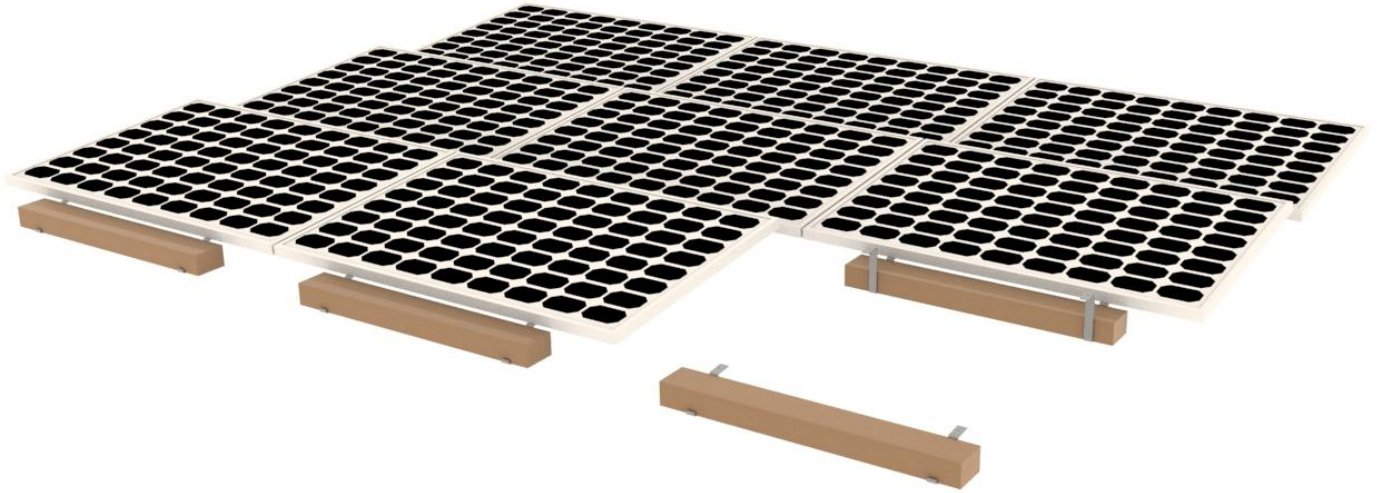
Specification	
Tilt Angle	5° 、 10° 、 15°
Max Wind Speed	42m/s
Max Snow load	1.4KN/m <sup>2</sup>
Material	AL6005-T5 & SUS304



### Components List



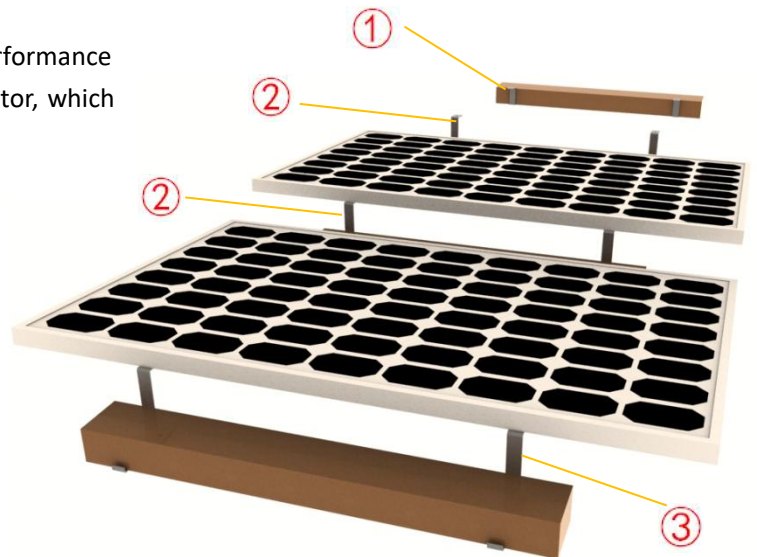
## Stainless Steel Ballasted Flat Roof Mount



### Features & Benefits

1. Few component and easy install
2. Stainless Steel 304 Material, high anti-corrosion performance
3. Using long-span cement block replace wind deflector, which has strong windproof performance and low cost.

Specification	
Tilt Angle	5° 、 10°
Max Wind Speed	42m/s
Max Snow load	1.4KN/m <sup>2</sup>
Material	SUS 304



### Components List



① Front Ballast Leg



② Mid Ballast Leg



③ Back Ballast Leg