

MULTI COUPLER

Price Book

28th April 2026



About Us

Established in 2020 as an RF Distribution Technology research and development company, and officially launched in 2025, **Multicoupler Limited** is a UK-based manufacturer, importer and 3rd party brand franchise holder of affordable, professional equipment for the two-way radio industry.

Our focus is on solving one of the most common challenges in modern radio systems: efficiently combining, filtering, and distributing multiple repeaters onto a single antenna - without compromising performance or reliability.

All our products are designed in house in the UK.

Immediate Deployment

Multicoupler products balance performance with value and are designed for immediate deployment without waiting for Ofcom to issue complex licenses.

Our distributors maintain high stock levels of popular products for immediate availability.

All Multicoupler UHF products are pre-tuned for Ofcom Simple Site Licence frequencies - allowing resellers and systems integrators to deploy repeater systems quickly and confidently with almost no on-site adjustment.

Radio Infrastructure Design

Multicoupler offers a design service where our engineers can help resellers and integrators design radio systems and DAS (multi-antenna) arrays using our RF Distribution Technology products and Antennas.

These services are available to **Authorised Resellers** and via **Authorised Distributors**

Custom Combiner Builds

For more complex projects, Multicoupler can design custom combiner solutions using either our HC series internal components, or large combiner systems using our rackmount Cavity Combiners, Duplexers and Receive Amplifiers.

Contact Us

We encourage resellers, integrators and end users to contact us for advice.

Email us: support@multicoupler.co.uk

However, all pricing, quotes and sales enquiries go via our trusted distributors.

Authorised Distributors



For Resellers & Integrators

023 8071 8700

sales.uki@airsys.com



Complex Tower Installations

01604 790005

sales@radiostructures.com



RF Distribution Technology

Hybrid Combiners

Duplexers

Signal Distribution

©2026 Multicoupler Limited

MULTICOUPLER® is a trademark of Multicoupler Limited in the UK.
All other trademarks are property of their respective owners
Prices may change without notice.
Errors & Omissions Excepted (E&OE).

www.multicoupler.co.uk
support@multicoupler.co.uk



The "Multicoupler" TX/RX Combiner!



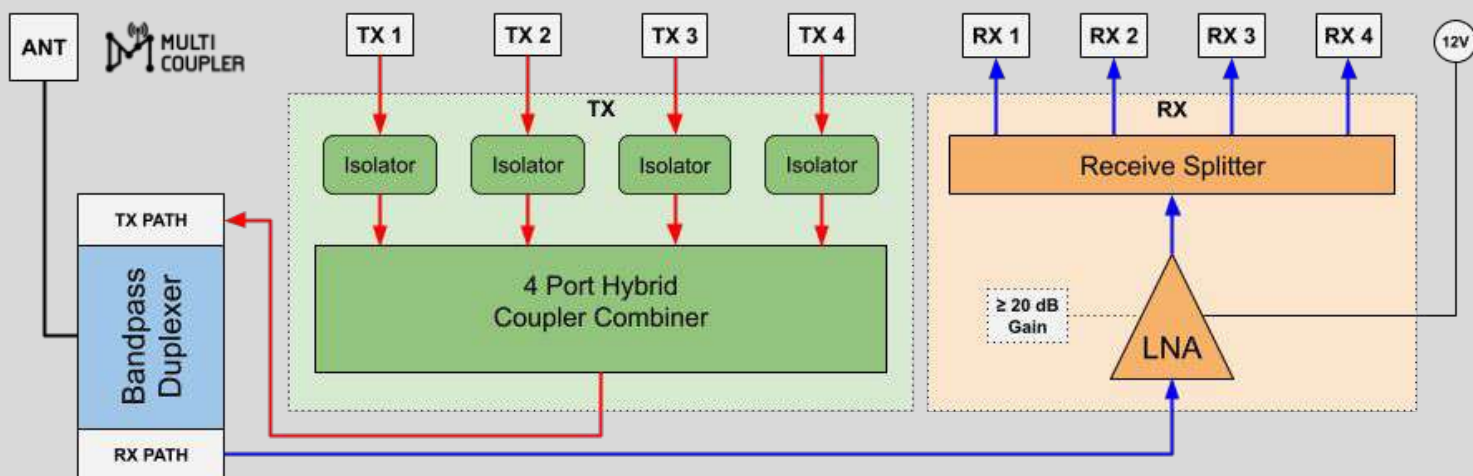
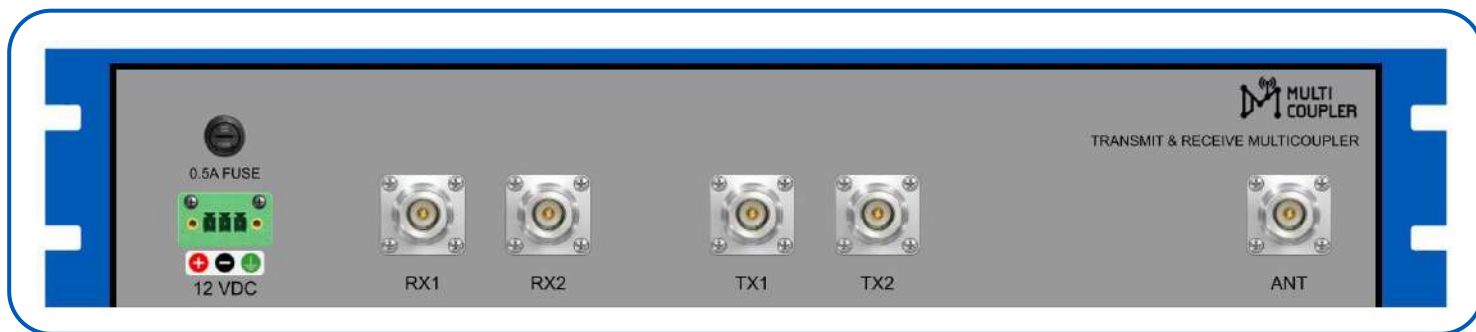
Multicoupler HC Series is an innovative line up of TX/RX hybrid combiner designed to allow two, three or four repeaters to share a single antenna. The HC Series hybrid combiners utilise a bandpass duplexer for maximum TX-RX and TX-TX separation in a compact 2U rack-mount chassis.

- ✓ Combine 2, 3 or 4 repeaters into one antenna with minimal loss
- ✓ High TX-TX isolation (≥ 65 dB) for reduced intermodulation
- ✓ Integrated RX low noise amplifier to overcome combiner losses
- ✓ Wide frequency range for maximum flexibility
- ✓ 4.5 MHz - 25 MHz TX/RX separation (depending on model)
- ✓ Stylish and compact 2U rack-mount design for easy, neat and tidy installation
- ✓ 12V DC powered - ideal for fixed sites or backup power systems
- ✓ Cost-effective alternative to traditional cavity-based combiner systems

Models

Order Code	Channels	Band	Frequency Range	POA
HC-UHF-2	2-Ch	UHF	450-470 MHz <small>(425-450 MHz version also available by special order)</small>	
HC-UHF-3	3-Ch			
HC-UHF-4	4-Ch			
HC-VHF-2	2-Ch	VHF	136-174 MHz	
HC-VHF-3	3-Ch			
HC-VHF-4	4-Ch			

The "Multicoupler" TX/RX Combiner!



This block diagram is for the 4-channel HC multicoupler. 2 and 3 channel HC multicouplers have the same block diagram with fewer channels.

Specifications

Model	HC-UHF-2	HC-UHF-3	HC-UHF-4	HC-VHF-2	HC-VHF-3	HC-VHF-4
Band	UHF			VHF		
Frequency Range	450-470 MHz			136-174 MHz		
Pass Bandwidth	± 2.5 MHz			± 2.0 MHz		
Insertion Loss	≤ 5.5 dB	≤ 7.3 dB	≤ 9.5 dB	≤ 6.2 dB	≤ 7.8 dB	≤ 10.4 dB
TX/RX Separation	5-25 MHz			4-12 MHz		
TX/TX Isolation	≥ 65 dB					
RX/RX Isolation	≥ 20dB					
RX Gain Per Channel	≥ 10 dB	≥ 7 dB	≥ 3 dB	≥ 10 dB	≥ 7 dB	≥ 3 dB

For further information and VNA charts see www.multicoupler.co.uk

Compact Cavity Combiner System

For more complex installations and where losses need to be kept to a minimum, we have developed an innovative rack mounted modular **Compact Cavity Combiner** system.

CC Series Compact Cavity unit can be **daisy chained** in to create a combiner system for up to 8 channels with as little as ~ 5 dB loss across the whole TX path (+ cable insertion loss).

The Compact Combiner was designed alongside our **RSA Series Receive Splitter Amplifier** which can deliver amplified RX split between 4, 6, 8 repeaters with minimal loss due to the built in low noise amplifier.

A complete combiner system can operate with two antennas for optimal separate TX and RX; or add the **BD-250-RM Bandpass Duplexer** for where **one single antenna** is required.

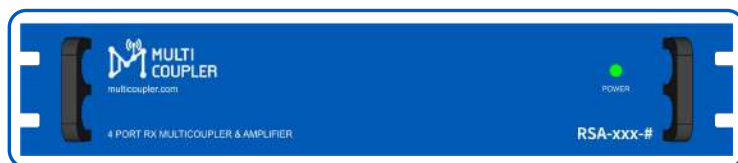
The **BD-250-RM Bandpass Duplexer** allows 250W continuous combined power or up to 600W at 50% duty cycle.



BD-250-RM 250W Bandpass Duplexer



CC-2 2 Port Compact TX Cavity Combiner



RSA Series 2U Receive Splitter Amplifier

We can custom build Compact Cavity systems for up to 16 repeaters! Email us for more information: support@multicoupler.co.uk

Order Code	Channels	Total Gain/Loss	Frequency Range	POA
CC Series Cavity Combiner				
CC-UHF-2	2 Per Unit	~ 5 dB	380-470 MHz	
CC-VHF-2			136-174 MHz	
RSA Series 2U Receive Splitter Amplifier				
RSA-UHF-4	4 Channels	≥ 20 dB	380-470 MHz	
RSA-UHF-8	8 Channels	≥ 20 dB	380-470 MHz	
RSA-VHF-4	4 Channels	≥ 20 dB	136-174 MHz	
RSA-VHF-8	8 Channels	≥ 20 dB	136-174 MHz	
BD Series 2U 250W Bandpass Duplexer				
BD-UHF-250-RM	TX/RX	≤ 1.7 dB	380-470 MHz	
BD-VHF-250-RM	TX/RX	≤ 2.1 dB	136-174 MHz	

Standard Duplexers

Multicoupler ND Series duplexers are band reject "notch" duplexers designed to allow a two way radio repeater (signal booster) to transmit and receive on a single antenna with excellent TX/RX isolation.

ND (Notch Duplexer) series duplexers reject the frequency unwanted on the port used - the port used for receive (RX) rejects the transmit (TX) signal and port used for transmit rejects the receive signal. This ensures there is no crosstalk or RX de-sense and allows a repeater to use a single antenna.

Our duplexers are made to highest standards and are available in various bands with band appropriate TX/RX separation and excellent isolation.

- ✓ **Isolation:** ≥ 75 dB
- ✓ **Insertion Loss:** ~ 1.5 dB
- ✓ **Connector Type:** N-Type
- ✓ **Cavities:** 6
- ✓ **Bandwidth:** ≥ 2 MHz

For further information and VNA charts see www.multicoupler.co.uk



Models

SKU	Power	Band	Frequency Range	POA
ND-UHF-10	10W	UHF	420-470 MHz	
ND-VHF-10		VHF	136-174 MHz	
ND-UHF-30	30W	UHF	420-470 MHz	
ND-VHF-30		VHF	136-174 MHz	
ND-UHF-50	50W	UHF	420-470 MHz	
ND-VHF-50		VHF	136-174 MHz	



Antennas

Modular Spigot Antennas

Mag Mount Antennas

Wall Mounted Waterproof Dipoles

Clip On Waterproof Dipoles

Right Angle End Fed Antennas

Marine Antennas

©2026 Multicoupler Limited

MULTICOUPLER® is a trademark of Multicoupler Limited in the UK.
All other trademarks are property of their respective owners
Prices may change without notice.
Errors & Omissions Excepted (E&OE).

www.multicoupler.co.uk
support@multicoupler.co.uk



M6 Spigot Series Antennas



Multicoupler M6 Spigot Series antenna range gives installers the flexibility to select the base or mount and antenna type best suited to their requirements.

- ✓ Modular Antenna Design
- ✓ Rugged Everyday Use
- ✓ VHF & UHF Versions
- ✓ 2-5 dBi Gain Options
- ✓ 35W Power Handling
- ✓ Waterproof

Example Configurations



M6 Series Mounts



70MM MAG MOUNT



M8/M6 THREAD MOUNT



THRU-HOLE MOUNT



25mm Micro Mag Mount Antennas

Multicoupler AMM Series is a selection of ultra small **miniature magnetic mounted antennas** with $\frac{1}{4}$ wave ultra flexi whip, designed for mobile two way radios, base stations and radio repeaters where discretion is paramount. With 25W constant power handling and IP67 ingress resistance and a lifetime warranty.

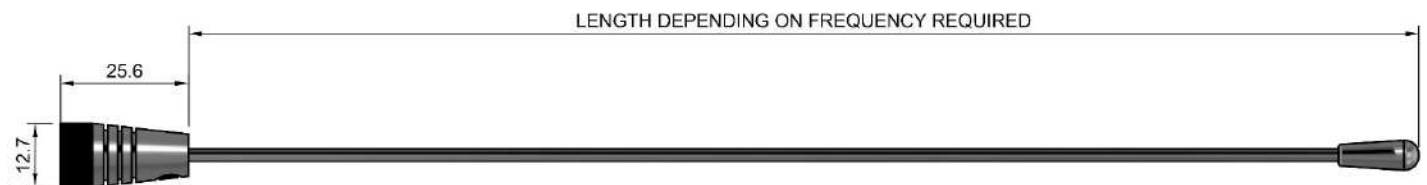
- ✓ $\frac{1}{4}$ Wave Ultra Flexi Whip
- ✓ ≥ 3 dBi
- ✓ 1.5:1 SWR (Typical)
- ✓ BNC, N-Type or PL259 Connector
- ✓ 3m (Maximum) RG174 Cable
- ✓ 25W Continuous Power Handling
- ✓ IP67 Ingress Protection



Models

Order Code	Band	Frequency	MSRP
AMM-V-BM-153	VHF	150-156 MHz	
AMM-V-BM-165	VHF	162-168 MHz	
AMM-T-BM-400	TETRA	380-420 MHz	
AMM-U-BM-445	UHF	442-448 MHz	
AMM-U-BM-450	UHF	447-453 MHz	
AMM-U-BM-455	UHF	452-458 MHz	
AMM-RM-XX	RADIO MICS	600-800 MHz	

Replace order code “**BM**” with **NM** for N-Type male connector; or **UM** for PL259 connector.



60mm Mag Mount Antennas

Multicoupler AMG Series is a selection of magnetic mounted (mag mount) ¼ wave whip antennas designed for mobile two way radios, base stations, repeaters and wireless microphone receivers. With 25W constant power handling and IP67 ingress resistance, these antennas are designed to stand the test of time with a lifetime warranty.

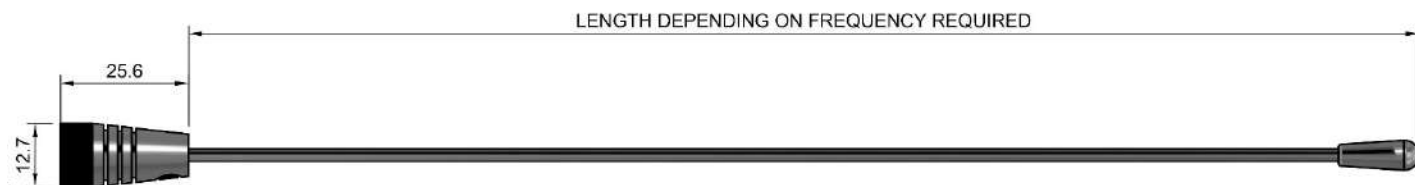
- ✓ ¼ Wave Whip
- ✓ ≥ 3 dBi
- ✓ 1.5:1 SWR (Typical)
- ✓ BNC, N-Type or PL259 Connector
- ✓ ~5m RG58 Cable
- ✓ 25W Continuous Power Handling
- ✓ IP67 Ingress Protection



Models

Order Code	Band	TX Frequency	POA
AMG-V-BM-153	VHF	150-156 MHz	
AMG-V-BM-165	VHF	162-168 MHz	
AMG-T-BM-400	TETRA	380-420 MHz	
AMG-U-BM-445	UHF	442-448 MHz	
AMG-U-BM-450	UHF	447-453 MHz	
AMG-U-BM-455	UHF	452-458 MHz	
AMG-BM-700	RADIO MICS	600-800 MHz	

Replace order code “**BM**” with **NM** for N-Type male connector; or **UM** for PL259 connector.



Pro Series Base Load 70mm Mag Mount Antennas

Multicoupler **AMB Pro Series** is a magnetic mounted (mag mount) antenna designed for ultimate performance, **base-loaded** with at least **5dbi gain** designed for mobile two way radios, base stations and radio repeaters. With 25W constant power handling and IP67 ingress resistance, these antennas are designed to stand the test of time with a lifetime warranty.

- ✓ Base Load for Ultimate Performance
- ✓ > 5 dBi
- ✓ 1.5:1 SWR (Typical)
- ✓ BNC, N-Type or PL259 Connector
- ✓ ~5m Cable
- ✓ 25W Continuous Power Handling
- ✓ IP67 Ingress Protection



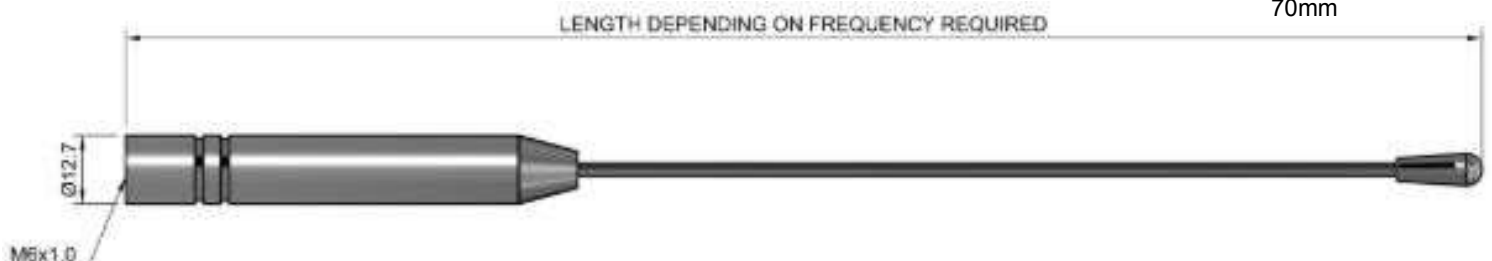
Models

Order Code	Band	TX Frequency	POA
AMB-V-BM-153	VHF	150-156 MHz	
AMB-V-BM-165	VHF	162-168 MHz	
AMB-T-BM-400	TETRA	380-420 MHz	
AMB-U-BM-445	UHF	442-448 MHz	
AMB-U-BM-450	UHF	447-453 MHz	
AMB-U-BM-455	UHF	452-458 MHz	
AMB-RM-BM-700	RADIO MICS	600-800 MHz	

Replace order code “**BM**” with **NM** for N-Type male connector; or **UM** for PL259 connector.



70mm



Wall Mounted Waterproof Dipoles

Multicoupler AWM Series is a selection of wall mounted dipole antennas designed for mobile two way radios, base stations, repeaters and wireless microphone receivers. With 25W constant power handling and IP67 ingress resistance, these antennas are designed to stand the test of time with a lifetime warranty.

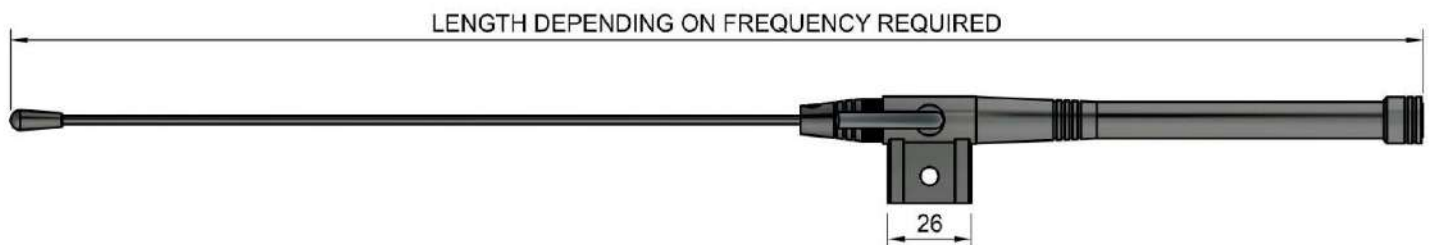
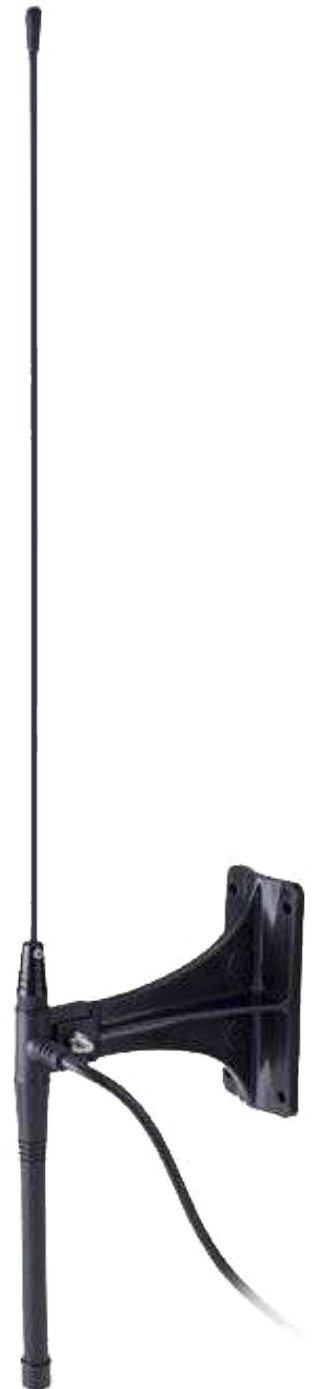
- ✓ ¼ Wave Dipole
- ✓ ≥ 3 dBi
- ✓ 1.2:1 SWR
- ✓ BNC, N-Type or PL259 Connector
- ✓ ~5m RG58 Cable
- ✓ 25W Continuous Power Handling
- ✓ IP67 Ingress Protection



Models

Order Code	Band	TX Frequency	POA
AWM-V-BM-153	VHF	150-156 MHz	
AWM-V-BM-165	VHF	162-168 MHz	
AWM-T-BM-400	TETRA	380-420 MHz	
AWM-U-BM-445	UHF	442-448 MHz	
AWM-U-BM-450	UHF	447-453 MHz	
AWM-U-BM-455	UHF	452-458 MHz	
AWM-BM-700	RADIO MICS	600-800 MHz	

Replace order code “**BM**” with **NM** for N-Type male connector; or **UM** for PL259 connector.



Clip On Waterproof Dipoles

Multicoupler ACL Series is a selection of clip-on dipole antennas designed for mobile two way radios, base stations, repeaters and wireless microphone receivers. With 25W constant power handling and IP67 ingress resistance, these antennas are designed to stand the test of time with a lifetime warranty.

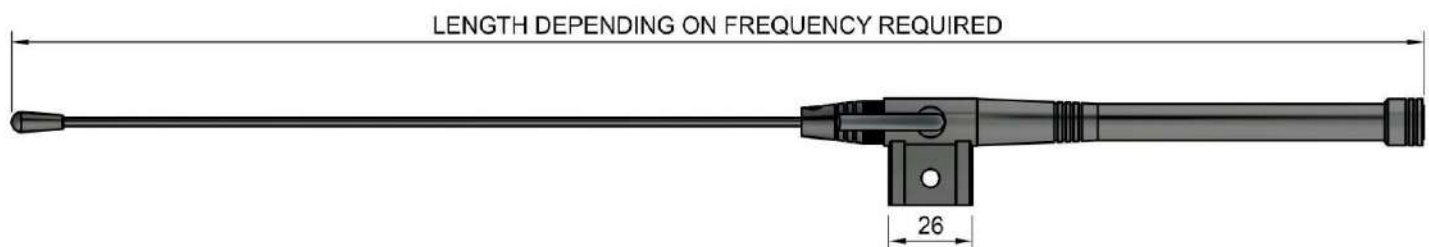
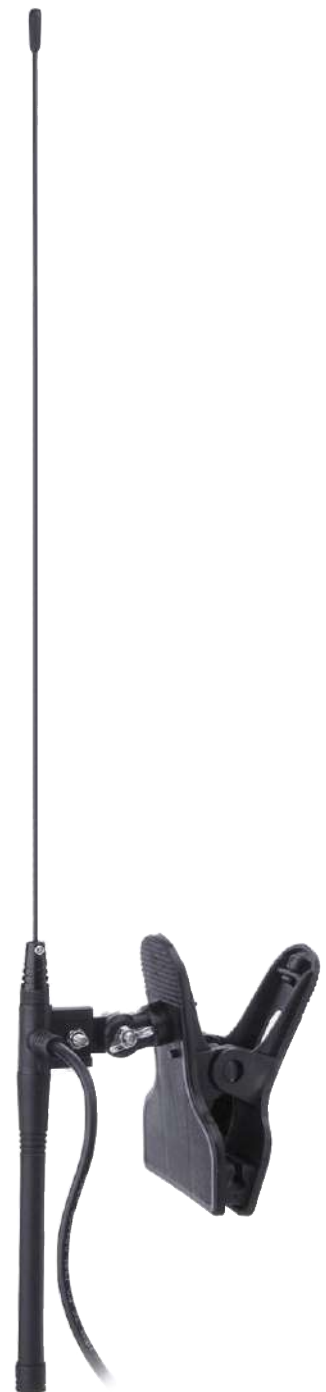
- ✓ ¼ Wave Dipole
- ✓ ≥ 3 dBi
- ✓ 1.2:1 SWR
- ✓ BNC, N-Type or PL259 Connector
- ✓ ~5m RG58 Cable
- ✓ 25W Continuous Power Handling
- ✓ IP67 Ingress Protection



Models

Order Code	Band	TX Frequency	POA
ACL-V-BM-153	VHF	150-156 MHz	
ACL-V-BM-165	VHF	162-168 MHz	
ACL-T-BM-400	TETRA	380-420 MHz	
ACL-U-BM-445	UHF	442-448 MHz	
ACL-U-BM-450	UHF	447-453 MHz	
ACL-U-BM-455	UHF	452-458 MHz	
ACL-BM-700	RADIO MICS	600-800 MHz	

Replace order code “**BM**” with **NM** for N-Type male connector; or **UM** for PL259 connector.



Right Angle End Fed Antennas

Multicoupler ARA Series is a selection of right angle swivel and tilt end-fed dipole antennas designed for mobile two way radios, base stations, repeaters and wireless microphone receivers. With 25W constant power handling and IP67 ingress resistance, these antennas are designed to stand the test of time with a lifetime warranty.

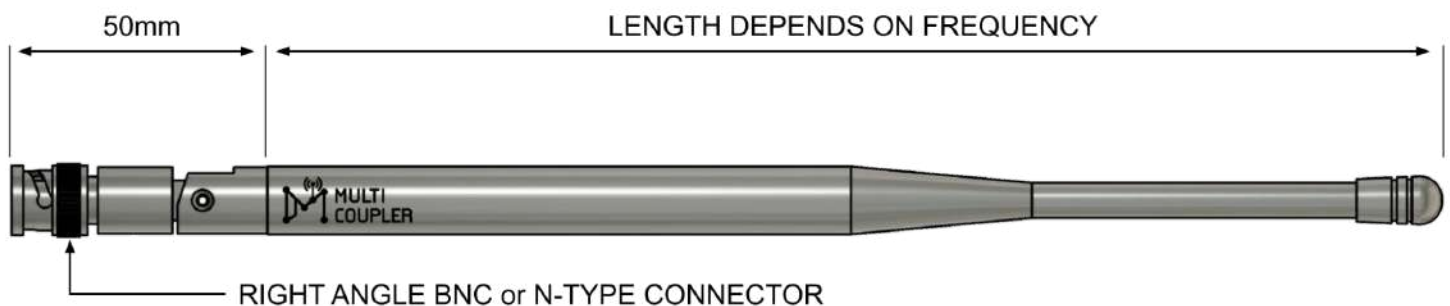
- ✓ ¼ Wave End-fed Dipole
- ✓ ≥ 3.5 dBi
- ✓ 1.5:1 SWR
- ✓ BNC or N-Type Connector
- ✓ Swivel & Tilt Hinge
- ✓ 25W Continuous Power Handling
- ✓ IP67 Ingress Protection



Models

Order Code	Band	TX Frequency	POA
ARA-V-BM-153	VHF	150-156 MHz	
ARA-V-BM-165	VHF	162-168 MHz	
ARA-T-BM-400	TETRA	380-420 MHz	
ARA-U-BM-450	UHF	442-448 MHz	
ARA-U-BM-450	UHF	447-453 MHz	
ARA-U-BM-455	UHF	452-458 MHz	
ARA-BM-700	RADIO MICS	600-800 MHz	

Replace order code "BM" with **NM** for N-Type male connector.



Marine Antennas

Multicoupler AMK Series is a selection of collinear marine band antennas designed for panel mounted and other mobile marine two way radios and base stations. With 35W constant power handling and IP67 ingress and water resistance, these antennas are designed to cope with the stand the test of time in extreme moisture and high salt environments.



- ✓ ¼ Wave Dipole
- ✓ ~5m RG58 Cable
- ✓ PL259 as Standard; or
- ✓ Choice of Connector
- ✓ IP67 Ingress Protection
- ✓ 35W Power Handling
- ✓ ≥ 5 dBi
- ✓ 1.5:1 SWR

Models

Order Code	Mount	POA
AMK-SB-UM	Stand Off	
AMK-WM-UM	Wall Mount	
AMK-MG-UM	Mag Mount	
AMK-PM-UM	Screw Holes	
AMK-RM-UM	Ratchet Mount	

Connector

XX Code	Type
UM	PL259 Male *
BM	BNC Male
MN	N-Type Male
TM	TNC Male

* Indicates default connector.



Mounting Options





Chargers

12-Way Universal Charger

Charging Platforms

©2026 Multicoupler Limited

MULTICOUPLER® is a trademark of Multicoupler Limited in the UK.
All other trademarks are property of their respective owners
Prices may change without notice.
Errors & Omissions Excepted (E&OE).

www.multicoupler.co.uk
support@multicoupler.co.uk



12-Way Universal Charger



Intelligent 12-way two way radio battery charger, ideal for small, medium and large fleets of radios.

Intelligent Technology

With built-in **intelligent technology**, our 12-way charger detects the battery type and runs a full discharge/recharge cycle to keep batteries healthy and extend battery life up to 50%.

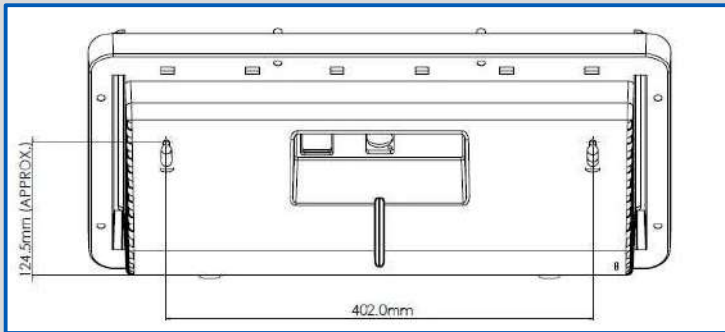
POA



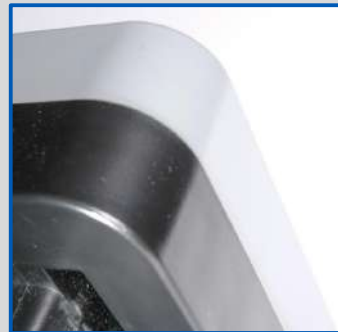
Compatible with



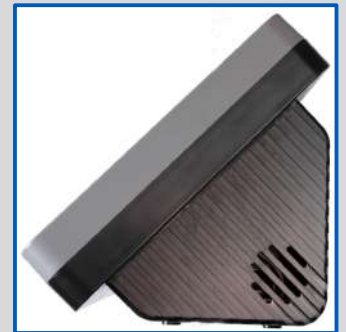
...and many other brands.



Wall Mountable



Durable Construction



Small Footprint

Radio Position & ID Cards

To ensure the user puts the radio back in the right charger slot every time, we have developed our unique radio position / ID card system.

Pack of 12 radio ID cards are included with the charger.



Order Codes

Whilst this charger can be made with any configuration of inserts, for convenience we offer the following pre-configured chargers, available from your distributor.

SKU	Band	POA
MOT1	Motorola CP040/DP1400	
MOT2	Motorola GP340	
MOT3	Motorola DP2/DP4/R5/R7	
HYT2	Hytera PD/HP Series	
KEN3	Kenwood KNB-45L/69L	
KEN4	Kenwood KNB-57L/57L	

12-Way Universal Charger



12-Way Charger compatible with 3M™ PELTOR™ LiteCom batteries

This charger has been developed for use with 3M™ PELTOR™ **LiteCom** headsets and any other 3M™ PELTOR™ product that takes the **ACK081**, **ACK081B** or **ACK082B** battery.

NXS3M

POA

Compatible Products

- ✓ LiteCom
- ✓ LiteCom Plus
- ✓ LiteCom Pro
- ✓ LiteCom Pro II
- ✓ LiteCom Pro III



COMPATIBLE WITH:



Industrial Build Quality



Durable Construction



Small Footprint

COMPATIBLE WITH:



This product is not manufactured by, endorsed by, or affiliated with 3M™ or PELTOR™. It is designed for compatibility with 3M™ PELTOR™ LiteCom batteries. 3M™ and PELTOR™ are trademarks of 3M.

ACK082 (Legacy) Battery



NXS3MATEX

For users with the older ACK082 (non-B) ATEX battery, we have this alternative charger.

When the switch is made to ACK082B battery, the inserts can be purchased and replaced to make this an NXS3M.

©2026 Multicoupler Limited

MULTICOUPLER® is a trademark of Multicoupler Limited in the UK.
All other trademarks are property of their respective owners
Prices may change without notice.
Errors & Omissions Excepted (E&OE).

www.multicoupler.co.uk

support@multicoupler.co.uk





POA

Cost effective charging platform to build a charger using single pods.

Compatible with



...and many other brands.

Build your own 6 position charger, using existing single charger pods, or build a multi-radio charger system using a variety of pods..

UK-designed and UK-manufactured (made in Leicester) this innovative charging platform is designed to utilise single chargers and create your own 6-way charger.

With built-in power supply and pre-wired to accommodate 6 single charger pods, it couldn't be simpler.



What's Included?



Example Use





Power Supplies

Multicoupler is the UK franchise of Samlex®
and Master Distributor of Samlex Power
Supplies and Radio Enclosures.

©2026 Multicoupler Limited

MULTICOUPLER® is a trademark of Multicoupler Limited in the UK.
All other trademarks are property of their respective owners
Prices may change without notice.
Errors & Omissions Excepted (E&OE).

www.multicoupler.co.uk
support@multicoupler.co.uk



SEC Desktop Series Power Supplies

Samlex SEC Series switch-mode power supplies are highly efficient, lightweight and compact.

Combine SEC with our radio enclosures for an industrial-grade desk radio or rack mount to keep your installation neat and tidy.



Rack Mount Compatible

All Samlex SEC Series power supplies have rack mount bracket options to create neat and tidy installations, like this Kenwood 3-repeater system with Samlex SEC-1235G and combiner in one compact rackmount case...



SEC-1212G
13.8 VDC, 9.5 A
POA
£129.95



SEC-1225G
13.8 VDC, 23 A
POA
£164.95



SEC-1225G BBM
13.8 VDC, 23 A
with Battery Backup
POA
£194.95



SEC-1235G
13.8 VDC, 30 A
POA
£189.95

SEC-12HCP Modular Power Supply

- N+1 Redundant Load Sharing
- Scalable modular architecture - Up to 100A Output
- Compact 1U 19" Rack Mount Design
- Integrated SNMP Monitoring & Web Interface
- Voltage, Current, Short-Circuit & Thermal Protection

Integrated 2-stage battery charger operates independently of the power modules, maintaining full system output capacity



COMING SOON

Mobile Two Way Radio Enclosures



Radio Enclosures

Order Code	Model	Compatible Radio(s)	POA
MOTOROLA			
58570	DM4	DM4400 / DM4600 (and E series)	
58575	DM1	DM1400 / CM140	
58585	GM	GM340 / GM360 / GM640 / GM680	
KENWOOD			
58555	NX1	NX-1700 / NX-1800	
58556	NX3	NX-3720 / NX-3820	
58300	NXR1000	NXR-1700 / NXR-1800 Repeater	
HYTERA			
58590	MD7	MD785	
58591	MD615	MD615 / MD625	
58300	HM7	HM785	
ICOM			
58520	NX1	IC-F5061	
58510	NX3	IC-F110	
58506	NXR1000	IP501M	



Battery Analysers

Multicoupler is the UK franchise of Cadex®
and Master Distributor of Cadex Battery
Technology in the UK & Ireland.

**NOTE: Reseller discount structure is different on Cadex products.
Contact your reseller or distributor for more information.**



©2026 Multicoupler Limited

MULTICOUPLER® is a trademark of Multicoupler Limited in the UK.
All other trademarks are property of their respective owners
Prices may change without notice.
Errors & Omissions Excepted (E&OE).

www.multicoupler.co.uk
support@multicoupler.co.uk

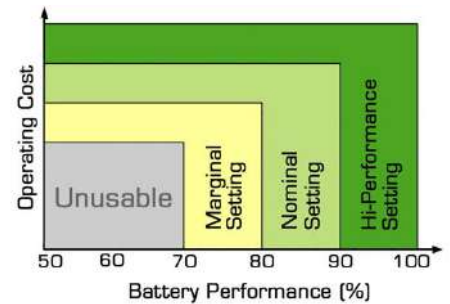
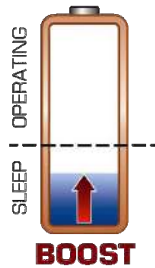
C7400-C Battery Analyser



Cadex C7400-C Series battery analyser tests lithium, nickel and lead-based batteries with Universal or Custom Battery Adapters. Optional PC-BatteryShop™ records results in real time.

Standard Programs

- ✓ Auto
- ✓ Charge
- ✓ Prime
- ✓ Extended
- ✓ Prime
- ✓ Discharge Only
- ✓ Self-Discharge
- ✓ Lifecycle
- ✓ OhmTest™
- ✓ Runtime
- ✓ Boost
- ✓ Custom Programs



Custom Programs

Custom / user-defined programs allow sequences of charge, discharge, recondition, wait and repeat. You can set conditional gates that proceed on a different course if certain criteria are not met.

Universal Adapters



FlexArm™

RigidArm™

SnapLock™ Adapters For Every Make & Model Radio



MXP600

DP4

DP1400

SnapLock™ Adapters

For Every Make & Model Two Way Radio



Order Code	Brand	Example Radio	Example Battery	POA	
07-111-7610	MOTOROLA	R2	PMNN4598/4600		
07-111-7690		R5	PMNN4888/4889/4878/4890		
07-111-7570		R7	PMNN4807/4808/4809/4810		
07-111-7575		R7 Ex	PMNN4848		
07-111-5840		DP2/DP4	PMNN4491		
07-111-6120		DP4 Ex	NNTN8359		
07-111-5920		DP3441e	PMNN4440		
07-111-2940		DP3400 / DP3600	PMNN4066		
07-110-9830		DP1400 / CP040	PMNN4253		
07-111-1740		SL(Anything)	PMNN4468		
07-111-7440		MXP600	PMNN4801 / PMNN4082		
07-111-0901		MTP850	FTN6573		
07-111-6580		MTP8550 Ex	NNTN8570		
07-110-6343		MTP850 Ex	NNTN7383		
07-111-5170		MTP3000/MTP6000	NNTN8023		
07-110-6340		GP340	PMNN4158		
07-110-7255		GP344	PMNN4201		
07-110-6343		GP340 Ex	NNTN5510		
07-110-8840		Kenwood	NX-320	KNB-55L	
07-111-1150			TK-3302 / TK-D340	KNB-45L	
07-111-4180	Hytera	TC-610/620	BL1204		
07-111-6480		PD4/PD5/PD6	BL1504		
07-111-5950		PD7	BL2006 / 2008		
07-111-6280		PT580H	BL1806 / 2505		
07-111-5710	Icom	IC-F4002 (V1 & v2)	BP-265/299		
07-111-6210		IC-F2000	BP-279/280		
07-110-6490		IC-F4	BP-195		
07-111-6370		IP100H	BP-271/272/307		
07-111-1110		IC-F14, IC-F24, IC-F33, IC-F43	BP-231		
07-111-1080		IC-35CTM, IC-F50, IC-F60, IC-37	BP-227/246		
07-110-9020		IC-F30/40/21 G SERIES	BP-210		
07-110-6490	F3, IC-A4	BP-196			
07-111-5560	Vertex	VX-231	FNB-V103LI / FNB-V104LI		
07-111-5470		VX-261, EVX-261	FNB-V133LI		
07-111-4170		VX-350	FNB-V96LI		
07-111-2190		VX-820	FNB-V92Li		
07-110-9790	Sepura	SRP2000,SRH3500/3800/3900, S036	300-00001/2/3		
07-111-3680		STP8000	300-00631/34/35		
07-111-1460	Simoco	SRP8000, SRP9100	PA-BATL/BATB/116		
07-111-3310	Tait	TP81xx, TP93xx, TP94xx Series	T03-00011-AAAA/CAAA		
07-111-2640		TP91xx Series	TPA-BA-201/3/4		
07-110-7490		Orca	TOPBXXX		
07-111-6650	3M Peltor	Peltor LiteCom WS / XP	AK053 / (ACK081 POA)		



Cables & Connectors

Patch Cables & RF Accessories

Coaxial Cable

Connectors

Ultra-Low Loss Armoured Cable

Programming Cables

Control Station Cable

©2026 Multicoupler Limited

MULTICOUPLER® is a trademark of Multicoupler Limited in the UK.
All other trademarks are property of their respective owners
Prices may change without notice.
Errors & Omissions Excepted (E&OE).

www.multicoupler.co.uk
support@multicoupler.co.uk



Patch Cables

Multicoupler offers a vast selection of patch cables (also known as jumper leads) designed to be used with repeaters, duplexers and combiners as well as RF distribution components such as directional couplers and power splitters.

Made with high quality cable and connectors and finished using a heat shrink cable restraint, our cables are ideal for installations and rental use.



Order Code	Length	Connector A	Connector B	POA
NM-NM-RG223-20CM	~ 20 cm	N-Type Male	N-Type Male	£25.00
NM-BM-RG223-20CM	~ 20 cm	N-Type Male	BNC Male	
NM-NM-RG223-55CM	~ 55 cm	N-Type Male	N-Type Male	£27.50
NM-BM-RG223-55CM	~ 55 cm	N-Type Male	BNC Male	
NM-NM-RG223-1M	~ 90 cm	N-Type Male	N-Type Male	£30.00
NM-BM-RG223-1M	~ 90 cm	N-Type Male	BNC Male	

RG223 = Cable Code, RG58, LAX195 and RG213 also available “~” = Length is approximate.

Accessories

Multicoupler offers a small selection RF tools specifically designed rapid cable assembly by on site engineers and in the workshop.



MTCR-213
10mm Crimp Tool
for RG213/LMR400

POA



MTCR-223
10mm Crimp Tool
for RG213/LMR400

POA



MTCC-150
Cable Cutter

POA



MTST-213
RG213 Stripper

POA



MTST-223
RG-58 Stripper

POA

Crimp Kit

- ▶ Crimp Tool
- ▶ Cable Cutter
- ▶ 5 Die Sizes
- ▶ Screwdriver
- ▶ Carry Case

MTCR-KIT1

POA



Coaxial Cable Reels

Multicoupler Coaxial Cable is a mixture of own brand and unbranded cable made to the highest standards designed to meet or exceed OEM cable specifications.

All of our cable reels are supplied in standard 100m lengths, however, larger drums (e.g. 250m/500m) are available on request.



Coupled with our selection of high quality coaxial connectors, heat shrink and crimp tools, engineers can create their own patch cables on site.



Order Code	Reel Length	Attenuation Per 10m @ 400 MHz	Diameter		Die Size		POA
			Jacket	Conductor	Outer	Conductor	
RG58	100 m	~ 3.00 dB	4.95 mm	0.90 mm	0.213"	0.068"	
RG223	100 m	~ 2.80 dB	5.40 mm	0.90 mm	0.213"	0.068"	
LAX195	100 m	~2.50 dB	4.95 mm	0.94 mm	0.213"	0.068"	
RG213 BUDGET	100 m	~1.45 dB	10.30 mm	2.25 mm	0.429"	0.118"	
RG213	100 m	~1.35 dB	10.30 mm	2.25 mm	0.429"	0.118"	
LAX400	100 m	~0.89 dB	10.29 mm	2.74 mm	0.429"	0.118"	

Connectors

Multicoupler Coaxial Connectors are made from the highest quality nickel-plated brass with gold plated brass inner pin to ensure a robust connection with minimal resistance and insertion loss.

Typically our connectors are designed for RG58/LMR195 or RG213/LMR400 which means they are compatible with most 5mm or 9mm coax cable.



Connector Order Codes

Order Code	Connector	Cable	Gender	Orientation	Termination	Die Size	POA
CN-NM58CR	N-Type	RG58 LAX195 LMR195	Male	Straight	Crimp	0.213"/0.068"	
CN-NF58CR	N-Type		Female	Straight			
CN-NM58ACR	N-Type		Male	Right Angle			
CN-BM58CR	BNC		Male	Straight			
CN-BF58CR	BNC		Male	Straight			
CN-UM58CR	PL259		Male	Straight			£3.49
CN-NM213CR	N-Type	RG213 LAX400 LMR400	Male	Straight		0.429"/0.118"	
CN-NF213CR	N-Type		Female	Straight			
CN-NM213ACR	N-Type		Male	Right Angle			
CN-BM213CR	BNC		Male	Straight			
CN-BF213CR	BNC		Male	Straight			
CN-UM213CR	PL259		Male	Straight			

Adapters



Adapter Order Codes

Order Code	Connector Input	Connector A Gender	Connector B Input	Connector B Gender	Type	POA
AD-NFBM	N-Type	Female	BNC	Male	Adapter	
AD-NFBF	N-Type	Female	BNC	Male	Adapter	
AD-NMNM	N-Type	Male	N-Type	Male	Coupler	
AD-NFNMT	N-Type	Female	N-Type	Male	2x Female T	
AD-NFUM	N-Type	Female	PL259	Male	Adapter	
AD-BFNM	BNC	Female	N-Type	Male	Adapter	
AD-BFUM	BNC	Female	PL259	Male	Adapter	
AD-BFUMA	BNC	Female	PL259	Male	Right Angle	
AD-BFBF	BNC	Female	BNC	Female	Coupler	
AD-BMBM	BNC	Male	BNC	Male	Coupler	
AD-BFBMA	BNC	Female	BNC	Male	Right Angle	
AD-BMBMT	BNC	Male	BNC	Male	T	
AD-BMUF	BNC	Male	PL259	Male	Adapter	
AD-FMEMBM	FME	Male	BNC	Male	Adapter	

RDF4-50 Ultra-Low Loss 1/2" Armoured Cable

Heliac-compatible ultra low-loss **armoured coaxial cable** used for long cable runs where retention of signal is paramount or cable is to be installed in industrial environments.

Features

- ✓ 0 - 8.8 GHz
- ✓ 1.45dB @ 450 MHz, 0.66dB @ 150 MHz Loss (30m)
- ✓ -40° - +60° Instalation Environment Temperature
- ✓ $\leq 1.15:1$ SWR
- ✓ Copper Clad Aluminium Inner Conductor
- ✓ Physically Foamed PE Insulation
- ✓ Ring Corrugated Copper Outer Conductor
- ✓ Black PE Jacket
- ✓ 0.225g per Meter
- ✓ $50 \Omega \pm 1$ Impedance
- ✓ Dedicated Male & Female N-Tyep Connectors
- ✓ Optional Grounding & Lightning Protection Kits



RDF4-50-1M
PER METER
POA



Lengths of ≥ 50 m are supplied on a wooden drum.

Runpotec X-Board universal cable unwinder is highly recommended for heavy and armoured cable installations.



Accessories & Connectors



SP01FF

LIGHTNING PROTECTION

POA



CN-NM450CL

N-TYPE MALE

POA



I0015R

GROUNDING KIT

POA



CN-NF450CL

N-TYPE FEMALE

POA

Multicoupler has developed a number of aftermarket USB programming cables for two way radios, where which originally needed an interface box - now only require a USB cable.

Note: Programming software not included. Our cables are not not original cables, rather compatible with the radio model(s) mentioned and perform the a similar function.

5-in-1 Universal Motorola Analogue Compatible Cable



POA

- ✓ **GP Series:** GP340, DP680, GP640, GP680, etc
- ✓ **CP Series:** CP040, CP140, CP160, CP180, etc
- ✓ **P100 Series:** P145, P165, P185, etc
- ✓ **GM & CM Series:** GM340, CM140, etc



MCPC-4074UF

For: Motorola GP340

POA



MCPC-4123

For: Motorola GP344

POA



MCPC-4004UF

For: Motorola CP040

POA



MCPC-374

For: Motorola GM & CM

POA



MCPC-22UF

For: 2-Pin Kenwood

POA



MCPC-36UF

For: Multipin Kenwood

POA



MCPC-46UF

For: 8-Pin Mobile Kenwood

POA



MCPC-478UF

For: GM & CM

POA

Control Station Cable



Multicoupler control station cable for voice and data transmission. Assembled using a genuine Motorola MOTOTRBO (DM4/XPR4/XPR5) PMLN5072A mobile radio rear accessory connector, has audio in/out audio 3.5mm jacks and "auto power up" (ignition sense) wire included to ensure the radio stays powered up, even after a power cut.



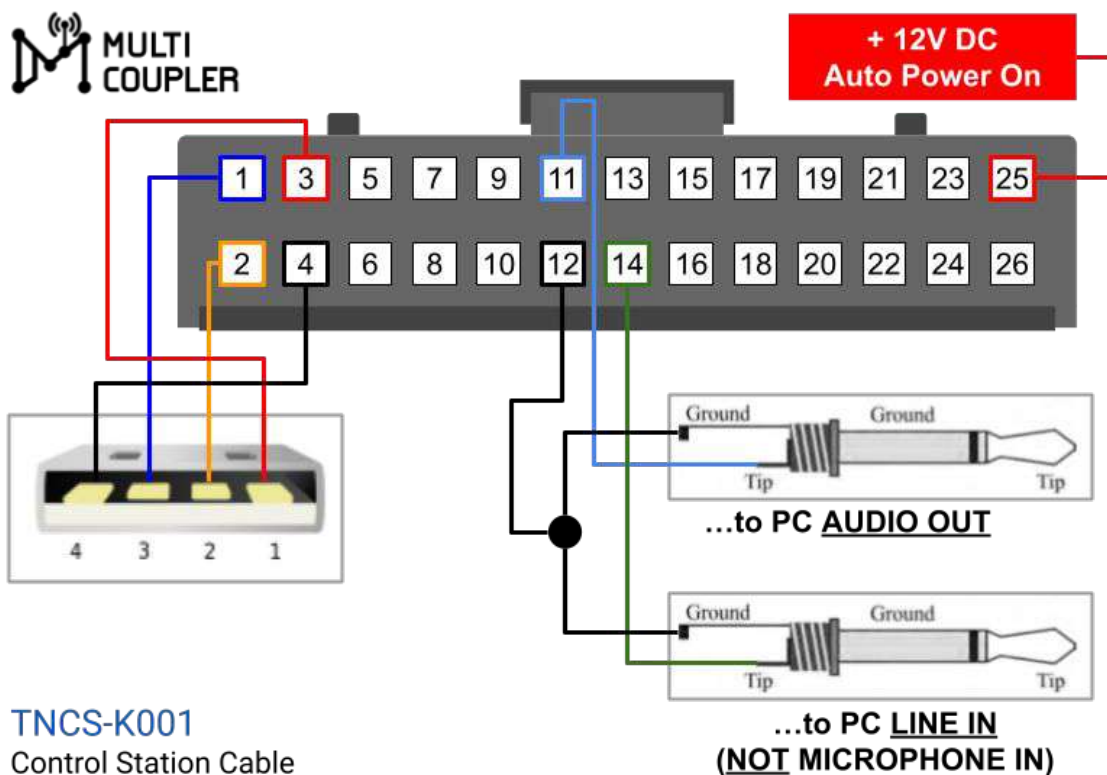
TNCS-K001

POA

- ✓ Genuine Motorola Connector
- ✓ Auto Power Up (Ignition Sense)
- ✓ Audio In and Out via 3.5mm Jacks
- ✓ USB-A Cable for Data Transfer
- ✓ Lifetime Warranty
- ✓ 1m Minimum Length



Note: Whilst this cable is directly alternative to Neocom TRBOnet K001 cable, this cable is not designed by or in conjunction with Neocom Software Corporation. TRBOnet is a registered trademark of Neocom Software Corporation.



It's worth noting that this cable is "line level", meaning it **cannot be plugged into the microphone socket** of a PC sound card. Instead, you must use a PC sound card with an **analogue line input** (traditionally colour coded blue, as in the example shown).



©2026 Multicoupler Limited

MULTICOUPLER® is a trademark of Multicoupler Limited in the UK.
All other trademarks are property of their respective owners
Prices may change without notice.
Errors & Omissions Excepted (E&OE).

www.multicoupler.co.uk
support@multicoupler.co.uk



Rack Mount Hardware

Rack Mount Cabinets

Rack Mount Brackets



©2026 Multicoupler Limited

MULTICOUPLER® is a trademark of Multicoupler Limited in the UK.
All other trademarks are property of their respective owners
Prices may change without notice.
Errors & Omissions Excepted (E&OE).

www.multicoupler.co.uk
support@multicoupler.co.uk

Rack Mount Cabinets

Wall Mounted Lockable

WKRK Series wall mounted rack mount cabinets are designed for professional audio, radio infrastructure and networking installations. All cabinets are 600mm outer depth, have detachable door, a max load of 70 kg and are supplied with M6 rack mount bolts and cage nuts and 2x lock keys.



Order Code	Size	Price
WMRK6U	6U	
WMRK9U	9U	
WMRK12U	12U	

Floor Mounted Open Front

FMRK Series rack mount cabinets are designed for professional audio and radio infrastructure installations.

Around 460mm of depth allows direct access to the equipment, available in multiple rack sizes. Units 20U and above have castors allowing the unit to be swivelled for easy movement.



Order Code	Size	Castors	POA
FMRK12U	12U	x	
FMRK16U	16U	x	
FMRK20UC	20U	✓	
FMRK24UC	24U	✓	
FMRK28UC	28U	✓	
FMRK32UC	32U	✓	
FMRK36UC	36U	✓	
FMRK40UC	40U	✓	

Rack Mount Brackets

These innovative rack mount brackets allow system integrators to create the ultimate neat and tidy installation.



Order Code	Size	Slot 1	Slot 2	POA
RMB-2U-DM4	2U	Motorola DM4/e Series	-	
RMB-2U-DM4-D	2U	Motorola DM4/e Series	Motorola DM4/e Series	
RMB-2U-GM	2U	Motorola GM Series	-	
RMB-2U-DM1	2U	Motorola DM1/2 Series	-	
RMB-2U-DM1-D	2U	Motorola DM1/2 Series	Motorola DM1/2 Series	
RMB-2U-SMLX	2U	Samlex SEC Power Supply	-	
RMB-2U-SMLX-D	2U	Samlex SEC Power Supply	Samlex SEC Power Supply	
RMB-2U-SMLX-DM4	2U	Samlex SEC Power Supply	Motorola DM4/e Series	
RMB-2U-SMLX-GM	2U	Samlex SEC Power Supply	Motorola GM Series	
RMB-2U-SMLX-DM1	2U	Samlex SEC Power Supply	Motorola DM1/2 Series	
RMB-2U-SMLX-NX1	2U	Samlex SEC Power Supply	Kenwood NX-1700/1800	
RMB-2U-SMLX-NX3	2U	Samlex SEC Power Supply	Kenwood NX-3720/3820	
58180	2U	Samlex SEC Power Supply	Kenwood NXR-1000 Repeater	





Multicoupler Authorised Reseller: