

# FIBRE MANAGEMENT

# 240 × 100

FIBRE MANAGEMENT SYSTEM



# 240 × 100

## FIBRE MANAGEMENT SYSTEM

### ORDER INFORMATION

No.	Description	Item no.:	Page	DRAWING
1	240mm TYPE B CONNECTOR A KIT	LL262	30	34
2	240mm HORIZONTAL 90° ELBOW	31690	30	34
3	240mm HORIZONTAL 45° ELBOW (CONNECTOR FREE)	LL26F	30	34
4	240mm 45° UP ELBOW	316F0	31	34
5	240mm 45° DOWN ELBOW	31680	31	34
6	240mm HORIZONTAL TEE	31620	31	34
7	240mm CUTTING IN TEE	LL26E	32	35
8	240mm VERTICAL TEE	36340	32	35
9	240mm HORIZONTAL CROSS	31630	32	35
10	240mm END CAP KIT	LL26A	33	35

## 240MM TYPE B CONNECTOR KIT



Item No.:	Spec(mm)		Overall (mm)	Color	Material
	W	H			
LL262	240	100	289 × 84 × 122	Yellow	PVC/ABS

- Quickly joins two sections of channel and/or fittings. Tighten and release bolts by fingers, absolutely toolless.
- Accessories: 8 Piece of round head screws.
- Flame retardant: UL94-V0
- Drawing: on page 34



## 240MM HORIZONTAL 90° ELBOW



Item No.:	Name	Spec(mm)		Overall (mm)	Color	Material
		W	H			
31690	240mm Horizontal 90° elbow	240	100	277 × 377 × 119	Yellow	PVC/ABS
38692	240mm Horizontal 90° elbow cover	240	—	310 × 310 × 17,5	Yellow	PVC/ABS

- Attaches to 240mmx100mm channel and/or fittings to create a 90° horizontal elbow from a straight horizontal run.
- 2 connectors are needed for installation.
- Flame retardant: UL94-V0
- Drawing: on page 34



COVER

## 240MM HORIZONTAL 45° ELBOW CONNECTOR FREE



Item No.:	Name	Spec(mm)		Overall (mm)	Color	Material
		W	H			
LL26F	240mm Horizontal 45° elbow Connector Free	240	100	319,5 × 287 × 121	Yellow	PVC/ABS
38651	240mm Horizontal 45° elbow Connector Free cover	240	—	290 × 325 × 40	Yellow	Metal

- Attaches to 240mmx100mm channel and/or fittings to create a 45° horizontal elbow from a straight horizontal run.
- Installation needs plastic round head screw (LTSB4 P55) and square nut each 8 piece (LT338 P55)
- Flame retardant: UL94-V0
- Drawing: on page 34



COVER

## 240MM 45° UP ELBOW



Item No.:	Name	Spec(mm)		Overall (mm)	Color	Material
		W	H			
316F0	240mm 45° Up elbow	240	100	275 × 210 × 167	Yellow	PVC/ABS
38652	240mm 45° Up elbow cover	240	—	286 × 143 × 95	Yellow	Metal

- Attaches to 240mmx100mm channel and/or fitting to create a 45° upward angle from a straight horizontal run. Used with 45° down elbow to change level of a horizontal run.
- 2 Piece of 240mm connector B kit are needed for installation
- Flame retardant: UL94-V0
- Drawing: on page 34



COVER

## 240MM 45° DOWN ELBOW



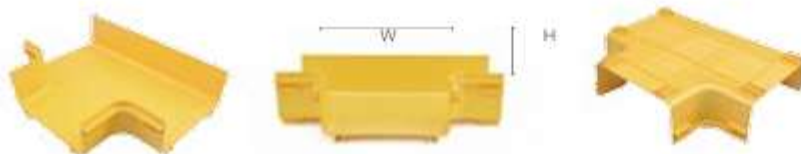
Item No.:	Name	Spec(mm)		Overall (mm)	Color	Material
		W	H			
31690	240mm 45° Down elbow	240	100	277 × 187 × 161.5	Yellow	PVC/ABS
38653	240mm 45° Down elbow cover	240	—	286 × 199 × 100	Yellow	Metal

- Attaches to 240mmx100mm channel and/or fitting to create a 45° downward angle from a straight horizontal run. Used with 45° up elbow to change level of a horizontal run.
- 2 Piece of 240mm connector B kit are needed for installation
- Flame retardant: UL94-V0
- Drawing: on page 34



COVER

## 240MM HORIZONTAL TEE



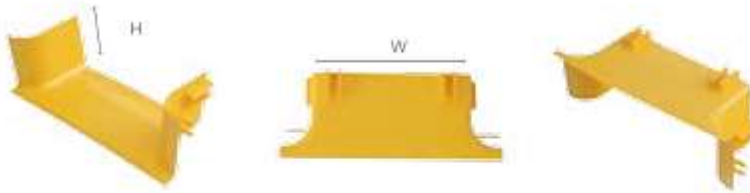
Item No.:	Name	Spec(mm)		Overall (mm)	Color	Material
		W	H			
31620	240mm Horizontal tee	240	100	276 × 376.5 × 119	Yellow	PVC/ABS
38632	240mm Horizontal tee cover	240	—	480 × 381 × 37	Yellow	PVC/ABS

- Attaches to 240mmx100mm channel and/or fittings to create a 90° horizontal branch from a straight horizontal run.
- 3 Piece of 240mm connector B kit are needed for installation
- Flame retardant: UL94-V0
- Drawing: on page 34



COVER

## 240MM CUTTING IN TEE



Item No.:	Name	Spec(mm)		Overall (mm)	Color	Material
		W	H			
LL26E	240mm Cutting in tee	240	100	353 × 132 × 116	Yellow	PVC/ABS
38334	240mm Cutting in tee cover	240	—		Yellow	Metal

- Attaches to 240mmx100mm channel to create a 90° horizontal elbow from anywhere of a straight horizontal run.
- Installation needs 1 piece of 240 connector B kit, 8 piece of plastic round head screws (LT584 P55) , T shape screw and twist head nut each 2 piece
- Flame retardant: UL94-V0
- Drawing: on page 35



COVER

## 240MM TO 120MM VERTICAL TEE

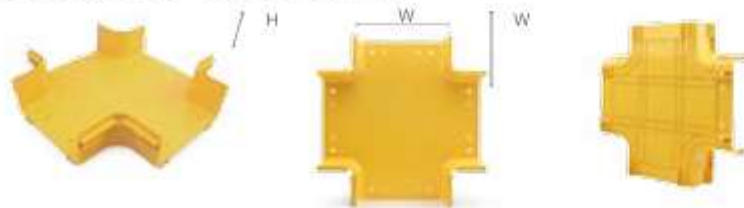


Item No.:	Spec(mm)			Overall (mm)	Color	Material
	W1	W2	H			
36340	240	120	100	300 × 277 × 190	Yellow	PVC/ABS

- Attaches to 240mmx100mm channel and/or fittings to create a 120mmx100mm 90° vertical drop from a horizontal run.
- 2 Piece of 240mm connector B kit are needed for installation
- Flame retardant: UL94-V0
- Drawing: on page 35



## 240MM HORIZONTAL CROSS



Item No.:	Name	Spec(mm)		Overall (mm)	Color	Material
		W	H			
31630	240mm Horizontal cross	240	100	476 × 476 × 119	Yellow	PVC/ABS
38644	240mm Horizontal cross cover	240	—	480 × 480 × 37	Yellow	PVC/ABS

- Attaches to 240mmx100mm channel and/or fittings to create a horizontal four way cross intersection with two 240mmx100mm exits.
- Installation needs 4 piece of 240mm connector B kit
- Flame retardant: UL94-V0
- Drawing: on page 35



COVER

## 240MM END CAP KIT

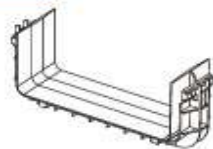
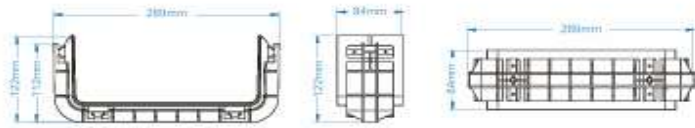

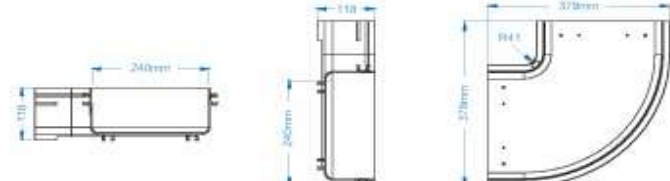
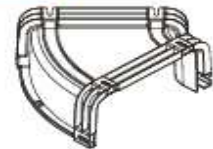


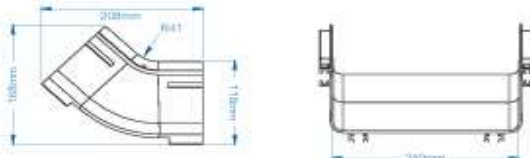

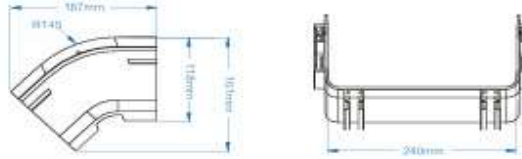






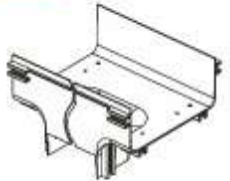

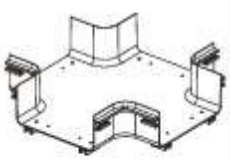

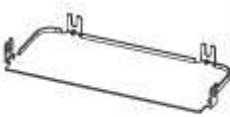
Item No.:	Spec (mm)		Overall (mm)	Color	Material
	W	H			
LL26A	240	25	270 × 25 × 115.5	Yellow	PVC/ABS

- Used for closing off open ends of the channel or fittings.
- Installation needs T shape screw and twist head nut each 4 piece
- Flame retardant: UL94-V0
- Drawing: on page 35



**240 SERIES RACEWAY DRAWING**

<p>LL262</p>  <p>240mm TYPE B CONNECTOR KIT</p>	
<p>31090</p>  <p>240mm HORIZONTAL 90° ELBOW</p>	
<p>LL26F</p>  <p>240mm HORIZONTAL 45° ELBOW (FREECONNECTOR A KIT)</p>	
<p>316F0</p>  <p>240mm 45° UP ELBOW</p>	
<p>31680</p>  <p>240mm 45° DOWN ELBOW</p>	
<p>31F20</p>  <p>240mm HORIZONTAL TEE</p>	

<p><b>LL26E</b></p>  <p>240mm CUTTING IN TEE</p>	
<p><b>36340</b></p>  <p>240mm TO 120mm VERTICAL TEE</p>	
<p><b>31630</b></p>  <p>240mm HORIZONTAL CROSS</p>	
<p><b>LL26A</b></p>  <p>240mm END CAP KIT</p>	