

HDPE FLAP GATE



FGH PRODUCT SERIES



PRODUCT CATALOG 2025

ORDERING INFORMATION

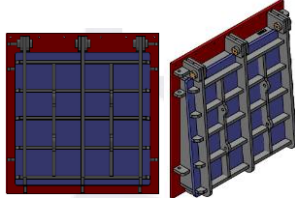
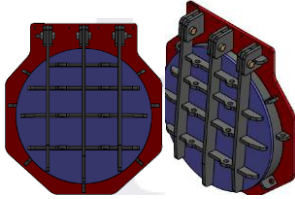
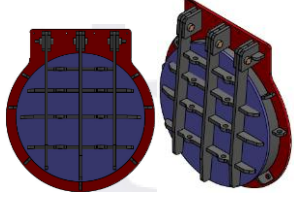
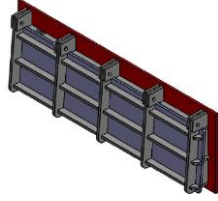
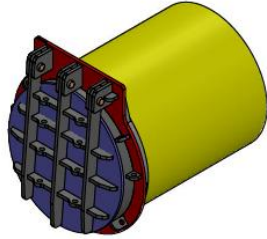
5 nos. (Five) TYPES OF HDPE FLAP GATE AVAILABLE FOR ORDER

Construction Type	Product Identification Code
Square Door with Square shape Frame	Prefix "S" as in S1200WM means Door Size 1200 mm x 1200. Flap gate is wall mounted
Wall Mounted(WM) is flap gate bolted to concrete wall while Pipe Mounted (PM) is mounted to HDPE Spiral pipe by HDPE Jointing.	Suffixes Letter WM= Wall Mounted PM= Pipe Mounted
Rounded Shape Door with Octagonal Shape Frame Wall Mounted Type	With code "ROC" as in example ROC1200WM
Rounded Shape Door with Rounded Shape Frame Wall Mounted type.	With code "R" example: R1200 WM
Customized door and frame	Example of customized such as odd size, concealed door,

MATERIAL SPECIFICATION

Back Plate (Frame) & Door & All Reinforcement & Hinge & Gusset	HDPE
Axles for Door Hinges	Stainless steel with HDPE Insert & Cap
Door Seal	EPDM
Gasket for Back Plate (Frame) to Wall	Natural Rubber

REFERENCE DRAWING

Example	Shapes
S1200WM	
ROC1200WM	
R1200WM	
Customized-odd shape & size	
Pipe Mounted Model No: ROC1200 PM	



PRODUCT CATALOG 2025

AVAILABLE SIZES

SQUARE DOOR with SQUARE FRAME		ROUND DOOR with ROUND FRAME		ROUND DOOR with OCTAGONAL FRAME	
Product Code	Opening Size	Product Code	Opening Size	Product Code	Opening Size
S300 WM	300mm X 300mm	R600 WM	ID 600 mm	ROC600 WM	ID 600 mm
S350 WM	350mm X 350mm	R650 WM	ID 650 mm	ROC650 WM	ID 650 mm
S400 WM	400mm X 400mm	R700 WM	ID 700 mm	ROC700 WM	ID 700 mm
S450 WM	450mm X 450mm	R750 WM	ID 750 mm	ROC750 WM	ID 750 mm
S500 WM	500mm X 500mm	R800 WM	ID 800 mm	ROC800 WM	ID 800 mm
S550 WM	550mm X 550mm	R850 WM	ID 850 mm	ROC850 WM	ID 850 mm
S600 WM	600mm X 600mm	R900 WM	ID 900 mm	ROC900 WM	ID 900 mm
S650 WM	650mm X 650mm	R950 WM	ID 950 mm	ROC950 WM	ID 950 mm
S700 WM	700mm X 700mm	R1000 WM	ID 1000 mm	ROC1000 WM	ID 1000 mm
S750 WM	750mm X 750mm	R1100 WM	ID 1100 mm	ROC1100 WM	ID 1100 mm
S800 WM	800mm X 800mm	R1200 WM	ID 1200 mm	ROC1200 WM	ID 1200 mm
S850 WM	850mm X 850mm	R1300 WM	ID 1300 mm	ROC1300 WM	ID 1300 mm
S900 WM	900mm X 900mm	R1400 WM	ID 1400 mm	ROC1400 WM	ID 1400 mm
S950 WM	950mm X 950mm	R1500 WM	ID 1500 mm	ROC1500 WM	ID 1500 mm
S1000 WM	1000mm X 1000mm	R1800 WM	ID 1800 mm		
S1100 WM	1100mm X 1100mm				
S1200 WM	1200mm X 1200mm				
S1300 WM	1300mm X 1300mm				
S1400 WM	1400mm X 1400mm				
S1500 WM	1500mm X 1500mm				
S1600 WM	1600mm X 1600mm				
S1700 WM	1700mm X 1700mm	Notes: (1) Please contact if your project require other sizes not listed above.			
S1800 WM	1800mm X 1800mm	(2) Flap Gate size is dictated by size of culvert opening			



PRODUCT CATALOG 2025

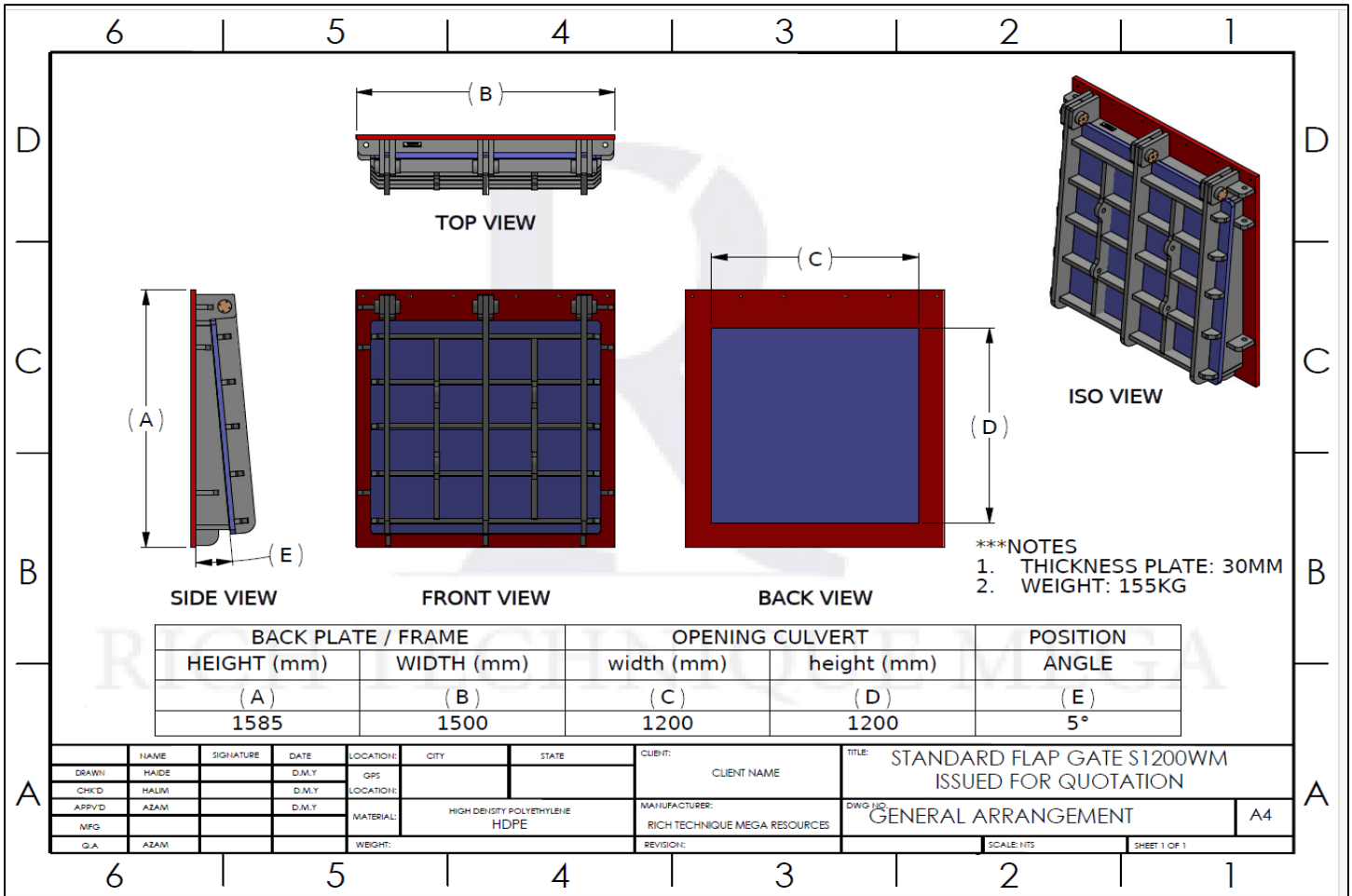
SELECTED DIMENSIONS

Product Code	Back Plate/ Frame		Estimated Weight (Kg)	No. of Hinges/Axles	Culvert Opening	
	Height, (mm)	Width (mm)			Width (mm)	Height, (mm)
	A	B			C	D
S400 WM	785	700	50	2	400	400
S600 WM	985	900	60	2	600	600
S750 WM	1135	1050	80	2	750	750
S900 WM	1285	1200	100	2	900	900
S1000 WM	1385	1300	115	2	1000	1000
S1200 WM	1585	1500	155	3	1200	1200
S1500 WM	1885	1800	200	3	1500	1500
S1800 WM	2185	2100	270	4	1800	1800
R750 WM	1190	1050	60	2	750 Diameter	
R900 WM	1340	1200	80	2	900 Diameter	
R1000 WM	1440	1300	90	3	1000 Diameter	
R1200 WM	1640	1500	110	3	1200 Diameter	
R1500 WM	1940	1800	140	3	1500 Diameter	
ROC750 WM	1190	1060	60	2	750 Diameter	
ROC900 WM	1340	1202	80	2	900 Diameter	
ROC1000 WM	1440	1303	90	3	1000 Diameter	
ROC1200 WM	1640	1503	110	3	1200 Diameter	
ROC1500 WM	1940	1803	150	3	1500 Diameter	



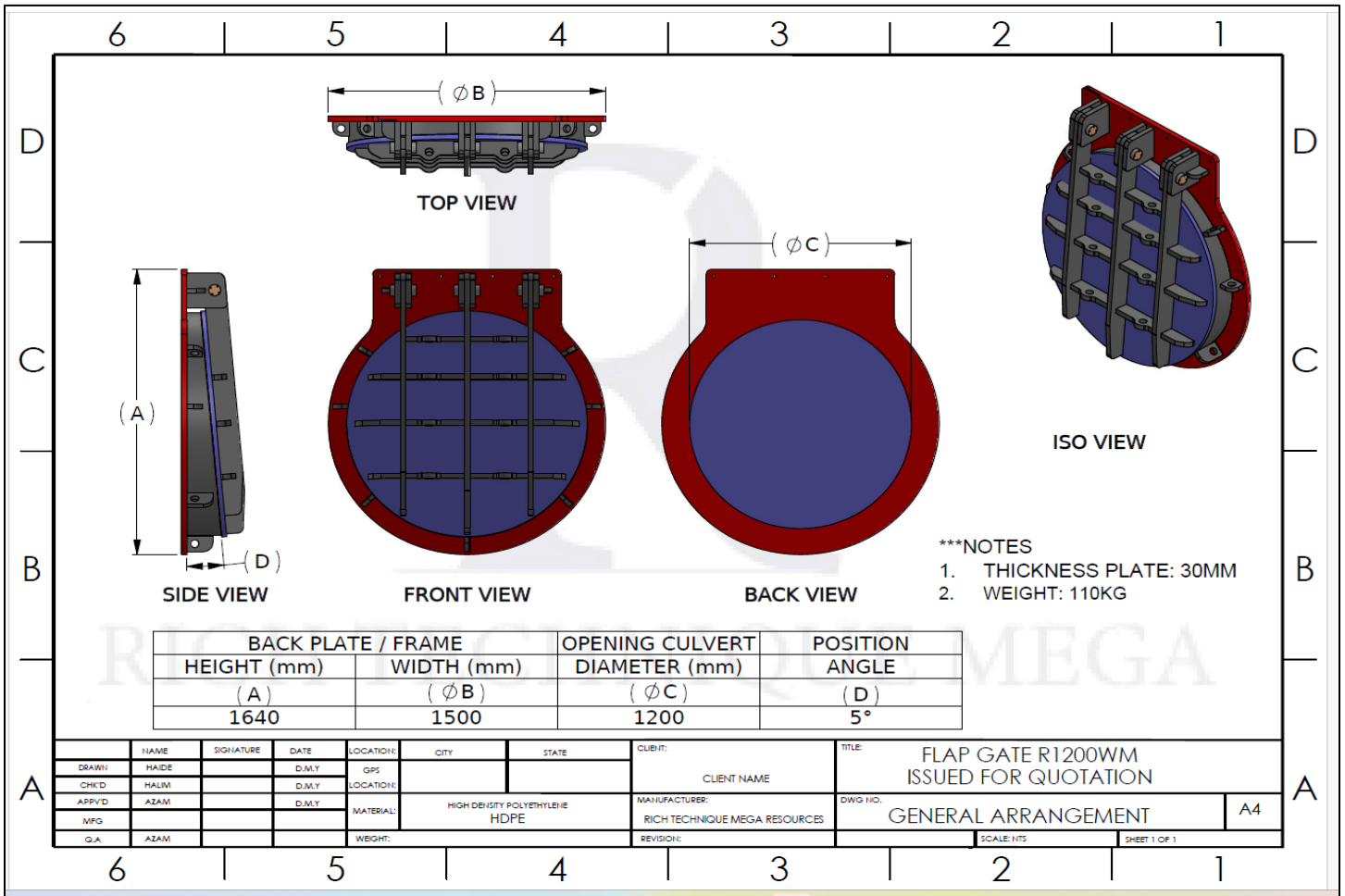
PRODUCT CATALOG 2025

SAMPLE DRAWING SQUARE DOOR WITH SQUARE FRAME



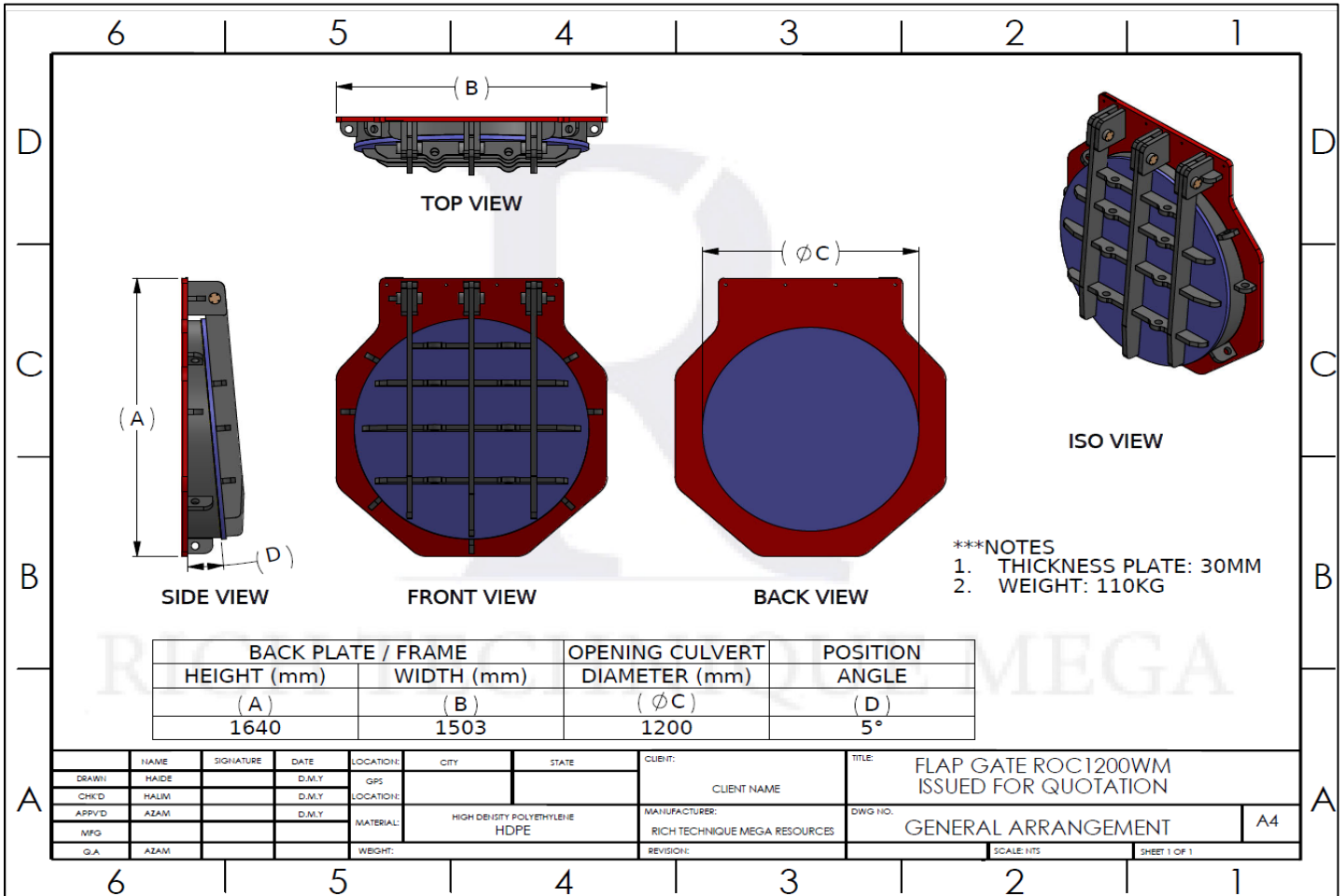
PRODUCT CATALOG 2025

SAMPLE DRAWING ROUND DOOR WITH ROUND FRAME



PRODUCT CATALOG 2025

SAMPLE DRAWING ROUND DOOR WITH OCTAGONAL FRAME



PRODUCT CATALOG 2025

INSTALLATION GUIDELINE

1. Place the supplied paper template on the intended concrete wall to mark the location of installation bolts. This template is an actual footprint of the flap gate.
2. Drill the holes for installation/stud bolts.
3. Place the installation bolts/studs and insert the rubber gasket supplied to the concrete wall.
4. Lift and place the Flap Gate according to bolts/studs.
5. Tighten the nuts evenly and preferable in criss-cross pattern.
6. Clean the flap gate to ensure no concrete or mortar left on the surface especially seating surface between flap door and frame.
7. Flap gate shall be installed as a complete unit. Please refrain from dismantling the flap door from the frame during installation to avoid problem during reinstallation of door.
8. Great care has been taken during manufacturing to ensure the frame is flat, however if there are small localized high and lows area in concrete wall, the rubber gasket provided should help to improve flatness. In most cases, the following combined actions is considered helpful in managing uneven flatness issue with concrete wall.
 - a. Suitable grouting sealing to seal gap.
 - b. Intentionally uneven nuts tightness aided with HDPE shim plate.
 - c. Use of rubber gasket provided.

OPERATION & MAINTENANCE

1. The HDPE flap gate has automatic operation (due to water level) and maintenance free during operation with the exception of cleaning of debris that may get trapped in between frame and flap door.
2. Seal material between frame and door is suitable for water services and UV exposure and should provide years of reliability. In any case, this gasket is replaceable.

Metallic parts i.e anchor bolts & hinges bolts are all stainless-steel resistant to corrosion and provides years of trouble-free operation

For inquiry please contact

+60-19 9163080 -Noorhalim Baharin

+60-13 3298468- Noorhaide Baharin

richtech@flapgatehdpe.com

Rich Technique Mega Resources,

JA 8901, Plot 24, Rumah Kedai, IKS Pulai, 77300,
Jasin, Melaka

Website: www.flapgatehdpe.com

