

INSTALLATION AND USE KITS AND TOOLS (INCLUDED)


INSTALLATION MANUAL



CABLE 16 PCS.



C PLIERS



MAGNETIC FOOT



MOON KEY

TURBO CONNECTOR
APPARATUS 5 PCS.
INSTALLATION AND USE KITS AND TOOLS (NOT INCLUDED)


SAFETY GLASSES



SAFETY GLOVES



SPIRIT LEVEL



METER

SCREWDRIVER AND
WRENCH

AIR COMPRESOR

OPTIONAL EQUIPMENT


PRINTER

24V CABLE 3 PCS.
ISIZU NOVA
FORD CARGO
SCANIA
www.mbsbalans.com

METAŞ BALANS SANAYİ

1200. Sokak No: 61-62-63-64 Ostim,
Yenimahalle ANKARA/TÜRKİYE


info@mbsbalans.com


+90 (542) 354 68 39

Copywriter 2023 MBS

FLOW MACHINE
INSTALLATION MANUAL EN

Read the installation manual carefully! It contains important information about the installation of the device.



The manufacturer is not responsible for any problems that may arise if you do not pay attention to the information and warnings in the installation guide. Keep these instructions in a safe place for future reference.

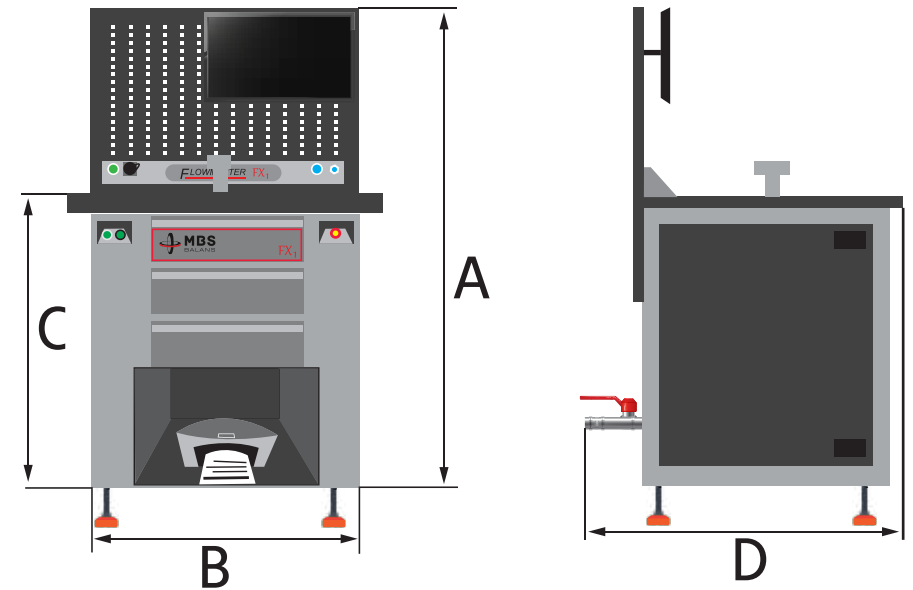
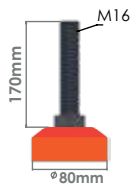


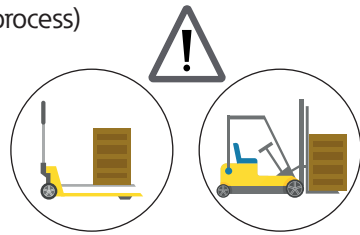
Figure : 1

	A [mm]	B [mm]	C [mm]	D [mm]
FX-1	1352,00	840,00	842,50	950,00

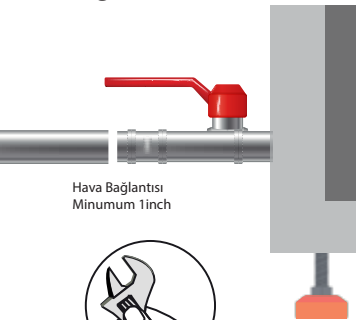
- 1 - Adjust the location of the machine according to the dimensions given in the technical drawing.
- 2 - The machine is taken out of packaging and it is taken off the wooden pallet and placed on the rubber (orange) foot.
(pallet or forklift should be used during this process)



*These rubber feet have anti-vibration feature.

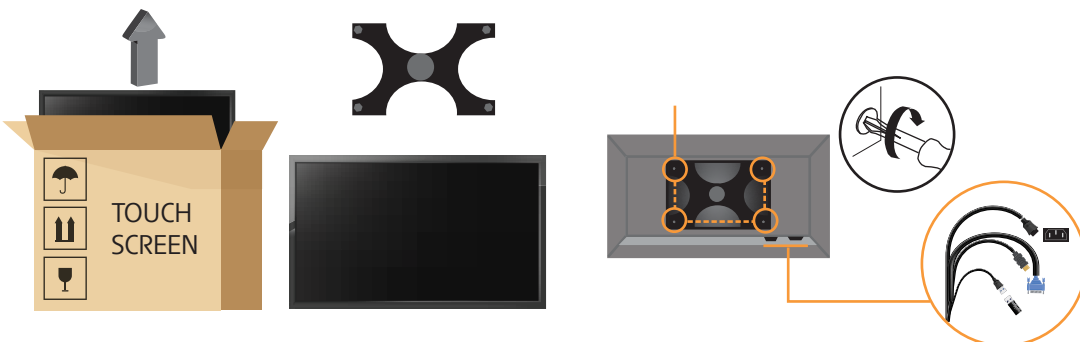


- 3 - The scale of the machine is adjusted with rubber feet according to the situation of the ground.



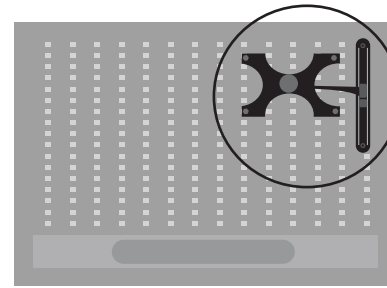
- 4 - The air piping must be at least 1 inch thick.
The machine should be given 8-10 bar of dry air.
It is recommended that the air tank should be *1000 liters.

- 5 - The touch monitor sent with the system is carefully removed from package.



The bracket is screwed with 4 screw slots on the back of monitor by bolts.

The power cable and hdmi (or vga) cable (may vary depending on the model) on the back of the monitor are connected.



The bracket may adjusted according viewing angle, touch distance and size of testing turbo

- 6 - The system works with 220v city network. Please contact the manufacturer for a different voltage city network.

- 7 - There is an introduction to meaning of cable, buttons and air connections on the machine;

