

ADIRONDACK CHAIR

by HomePro Hero



Home improvement to increase the value of your property.

ADIRONDACK CHAIR by HomePro Hero

Project Description:

In this project, we are going to build an Adirondack chair from scratch -- a sturdy, chunky, built-to-last piece of outdoor furniture that would cost \$300+ in a store. Built from 2x6 lumber (not the 2x4 you see everywhere else), this chair is constructed like a tank and designed to match the rest of the HomePro Hero outdoor furniture series.

Video Link: <https://www.youtube.com/@HomeProHero>

I'm John, the HomePro Hero, and I want to extend a huge thank you for your purchase! Your support means a lot, and I'm excited to be a part of your DIY adventure.

Here to Help!

If you have any questions or need further information, feel free to drop me a line at john@homeprohero.net I'm here to assist and make sure you have everything you need for a successful and enjoyable project.

Striving for Five Stars!

Your feedback is incredibly important. If you purchased these plans on Etsy or homeprohero.net, a five-star review goes a long way -- it helps our community grow and keeps the quality content coming. Even a comment on the YouTube video helps the channel more than you know!

Discover More on YouTube

For additional tips, insights, and detailed looks into various DIY projects, check out my YouTube channel, HomePro Hero -- and follow along on Facebook and Instagram too. Subscribe and follow for the latest builds and content!



[HomeProHero.net](https://www.homeprohero.net)

<https://www.facebook.com/homeprohero>

<https://www.instagram.com/homeprohero/>

Tools:

Circular Saw or Miter Saw and a Speed Square
Compact Driver or Drill
Tape Measure
Pencil
Clamps
Caulk Gun

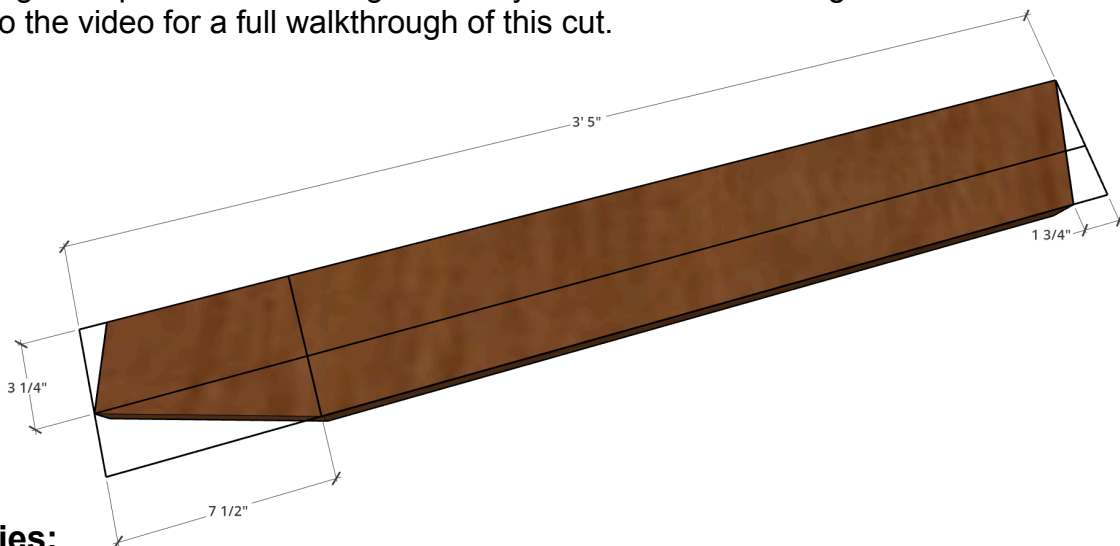
Lumber (Preferably Pressure Treated for Outdoor Use):

5 - 2x6 Boards (8ft Length)
1 - 2x2 Board (8ft Length)

Cut List:

Board 1: (2) Legs @ 19-1/2", Front Rail @ 24", Arm @ 29"
Board 2: Lower Back @ 24", Upper Seat Back @ 32", Arm @ 29"
Board 3: (3) Seat Boards @ 24"
Board 4: Upper Seat Back @ 32", Upper Seat Back @ 32", Upper Seat Back @ 24"
Board 5: (2) Leg/Stringers @ 41"
2x2 Board: Back Support @ 35"

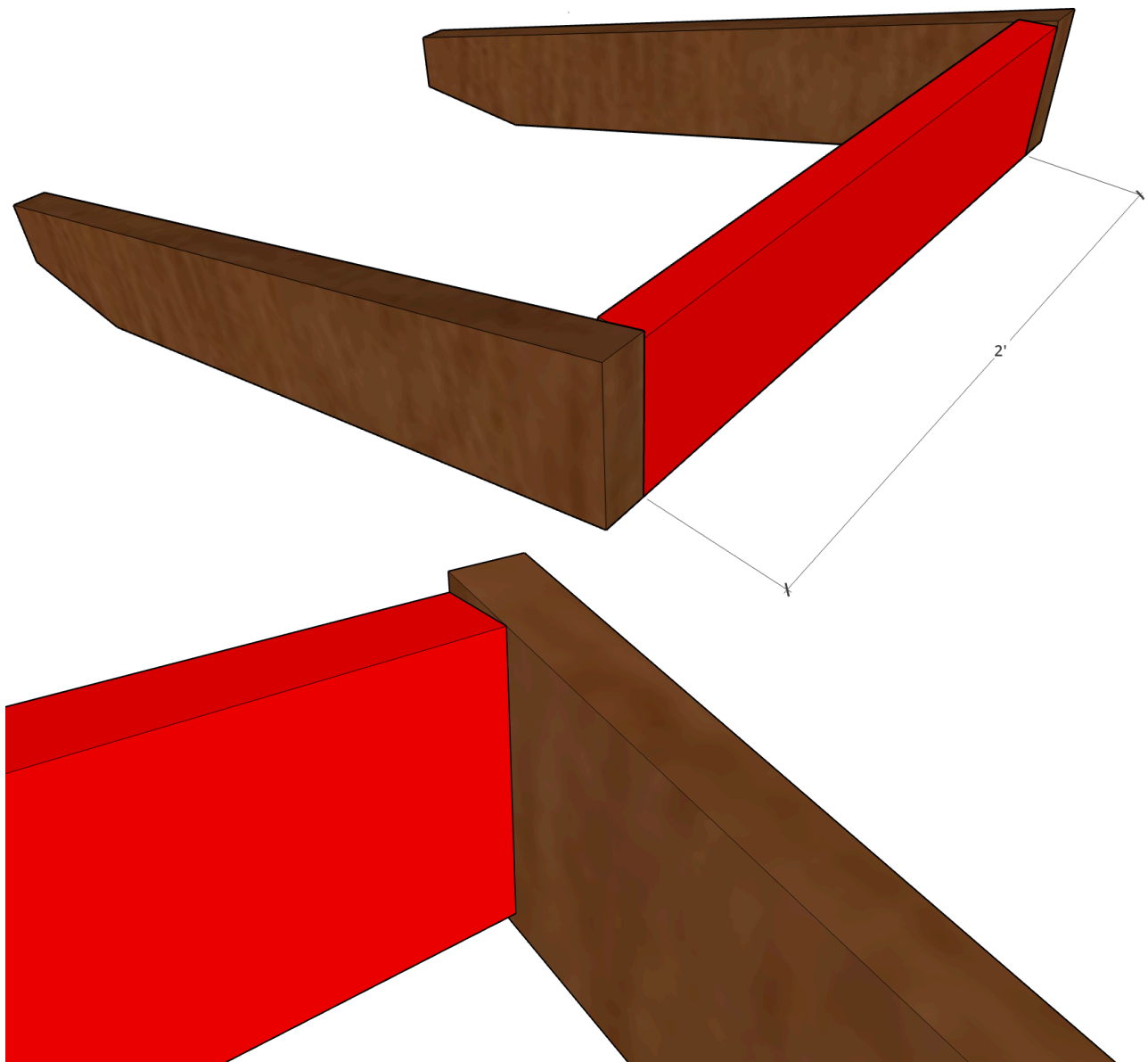
Stringer Angle Cuts (Board 5): Each stringer requires angle cuts before assembly. Starting at the bottom front corner of your 41" board, measure back 7-1/2" along the bottom edge and mark it. From that mark, draw a line up to the top front corner of the board and cut along that line. This removes a triangular wedge from the front end, leaving an angled front face that is 3-1/4" tall and a narrow top tip of 1-3/4". This angle sets the reclined pitch of the seat and allows the front legs to sit perfectly flush against the stringer. Repeat on both stringers -- they should be mirror images of each other. Refer to the video for a full walkthrough of this cut.

**Supplies:**

Standard Liquid Nails (Adhesive) <https://amzn.to/4vsvVvz>
Power Pro Screws (2-1/2 inch, #8) <https://amzn.to/4f48OBF>
Sanding Blocks <https://amzn.to/4v09Xz1>

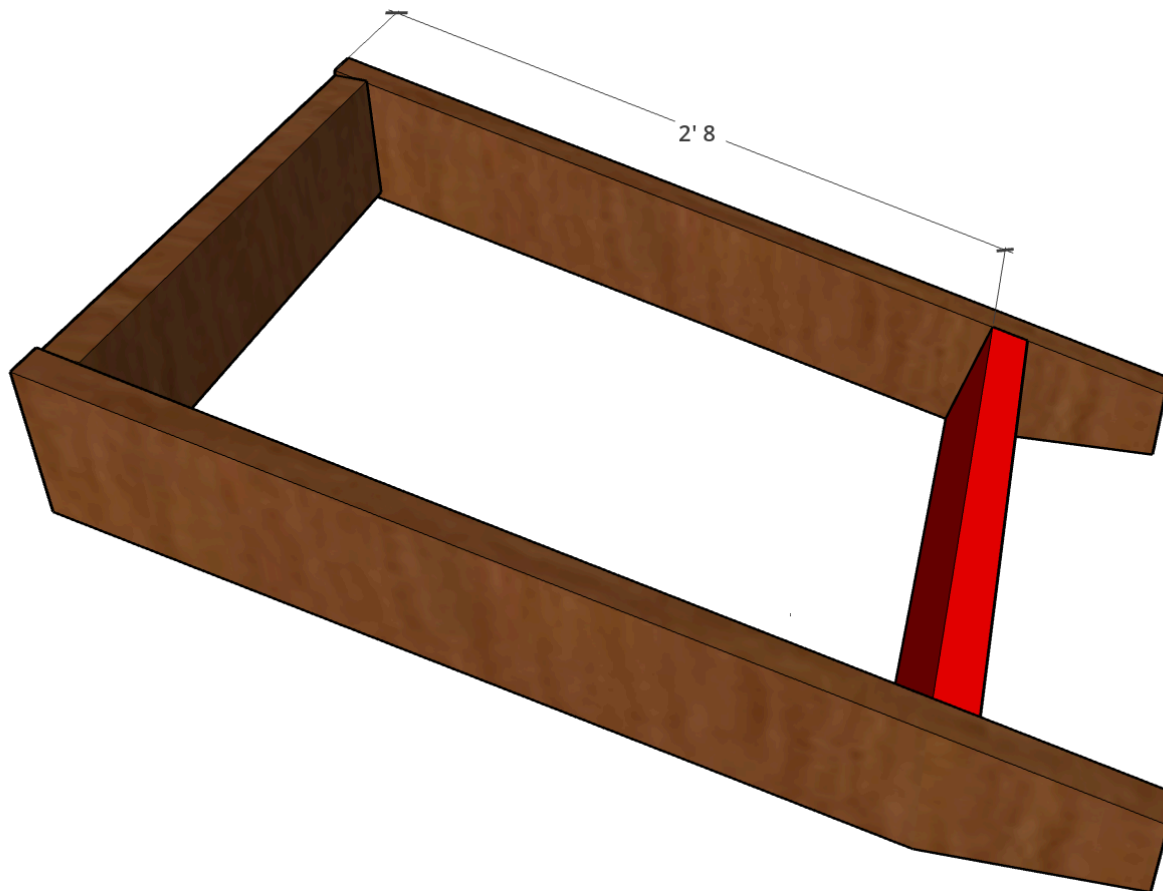
1 FRONT RAIL

Use 2x6 Material: Lay both stringers flat on your work surface, parallel to each other. Apply Liquid Nails to the 24" front rail and position it between the two stringers, sitting against the front angled cut of the stringer and following that angle from top to bottom. Drive 3 screws through each stringer into the ends of the front rail to secure. The front edge of the rail will naturally sit lower than the top of the stringer -- that's correct. Once installed, measure across the outside width of the assembly -- it should measure 27".



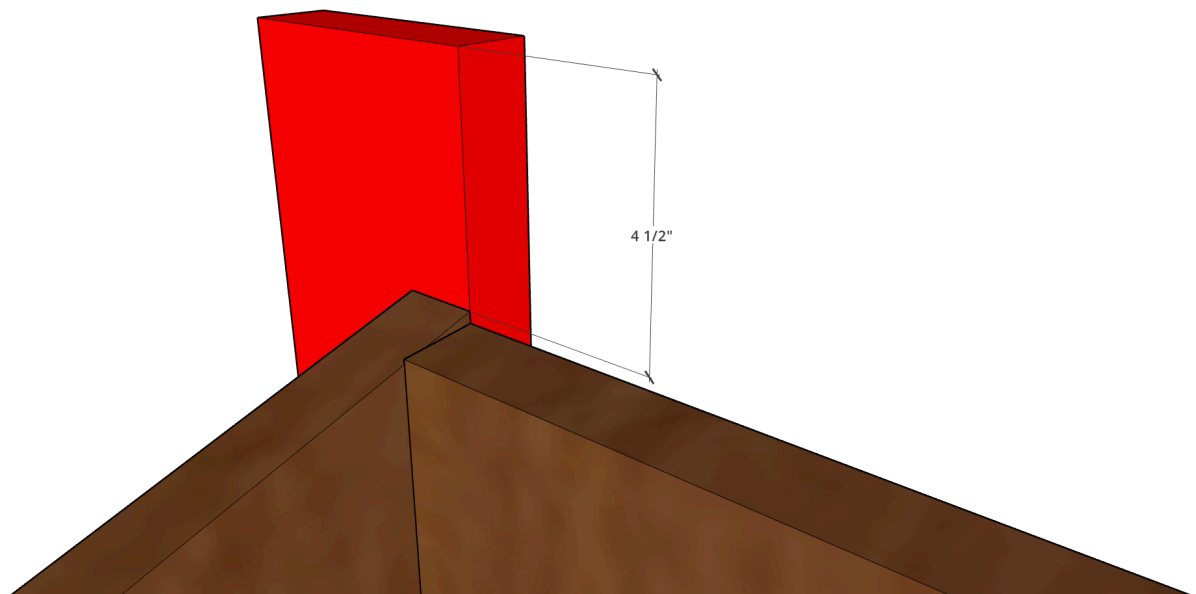
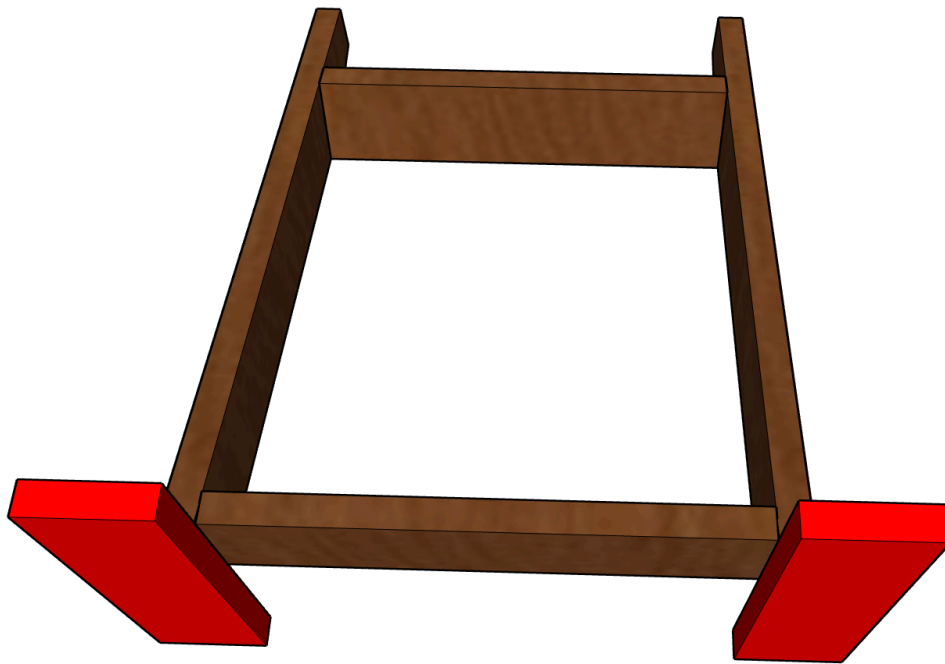
2 BACK RAIL

Use 2x6 Material: With the frame still laying flat, measure 2'8" back from the front edge of each stringer and mark both sides. Apply Liquid Nails to the 24" back rail and install it between the two stringers at those marks. Drive 3 screws through each stringer into the ends of the back rail to secure. This board squares up the frame and provides stability before the legs go on -- use a speed square to confirm everything is straight before the glue sets.



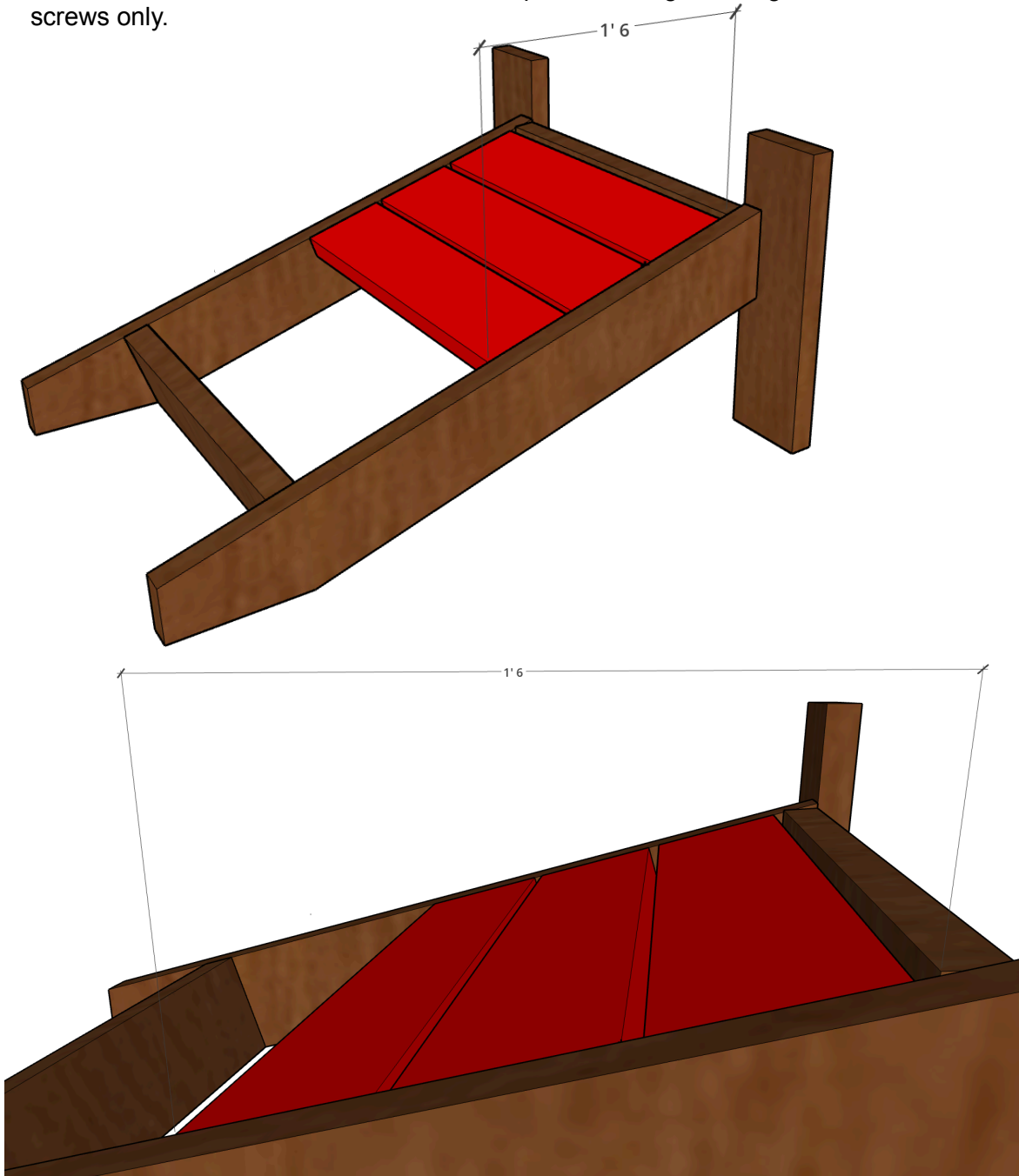
3 FRONT LEGS

Use 2x6 Material: Keep the frame flat in the same position and slide it to the edge of your work surface so the front of the frame overhangs, giving you room to attach the legs below. On each 19-1/2" front leg, mark a line 4-1/2" down from the top. Apply Liquid Nails to the inside face of the leg and position it on the outside of the front stringer, lining up your 4-1/2" mark with the top edge of the front stringer. The leg should sit flush against the angled cut of the front stringer. Drive 3 screws through the stringer into the leg to secure. Repeat on the other side.



4 SEAT SLATS

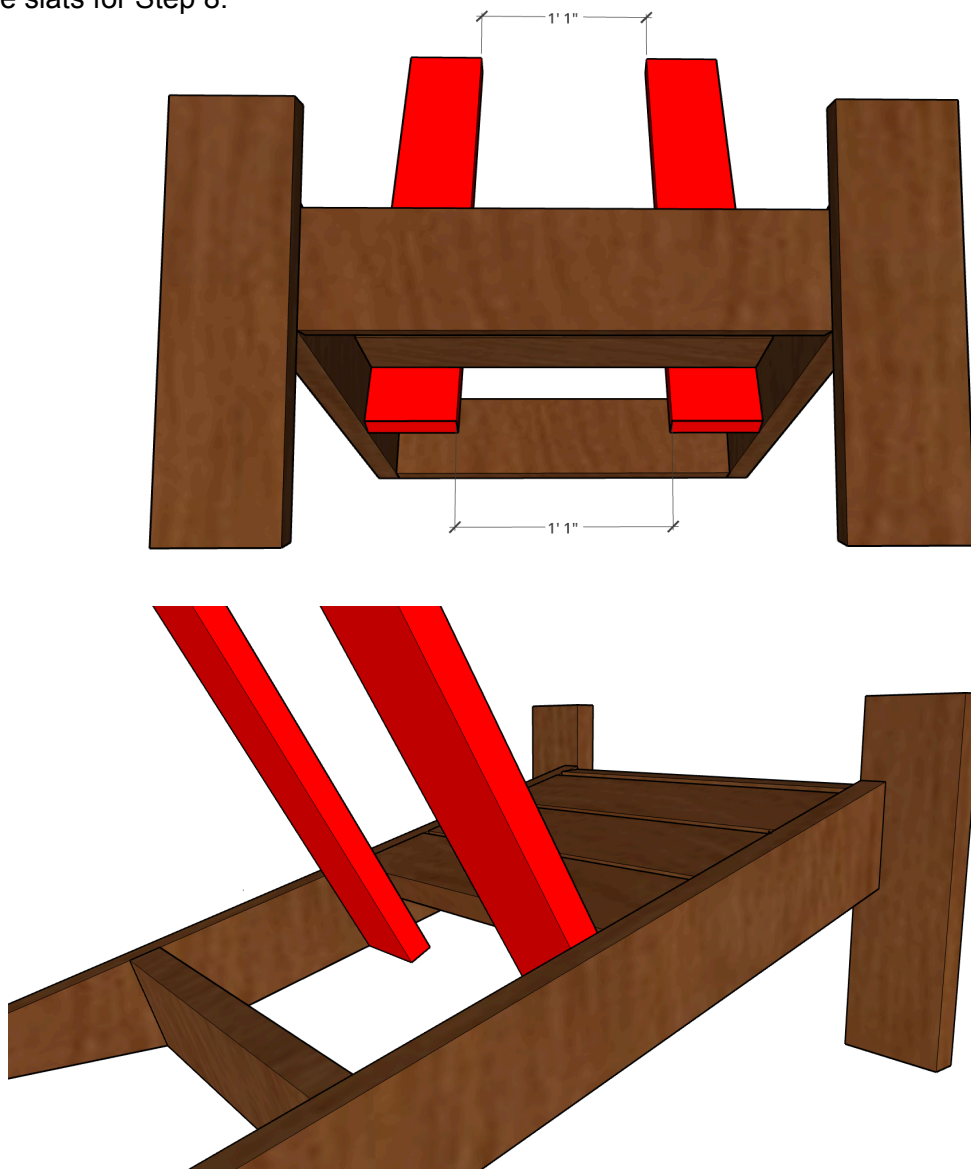
Use 2x6 Material: Install the three 24" seat slats between the stringers. Start with the back slat -- position it with its back edge 1'6" (18") from the back of the frame and secure it with 3 screws through each stringer. Next, butt the front slat tight against the front rail and secure the same way. Finally, drop the middle slat in and space it evenly between the two, then screw it down. Make sure all three slats sit flush with the top of the stringers. No glue is needed on these -- screws only.



5

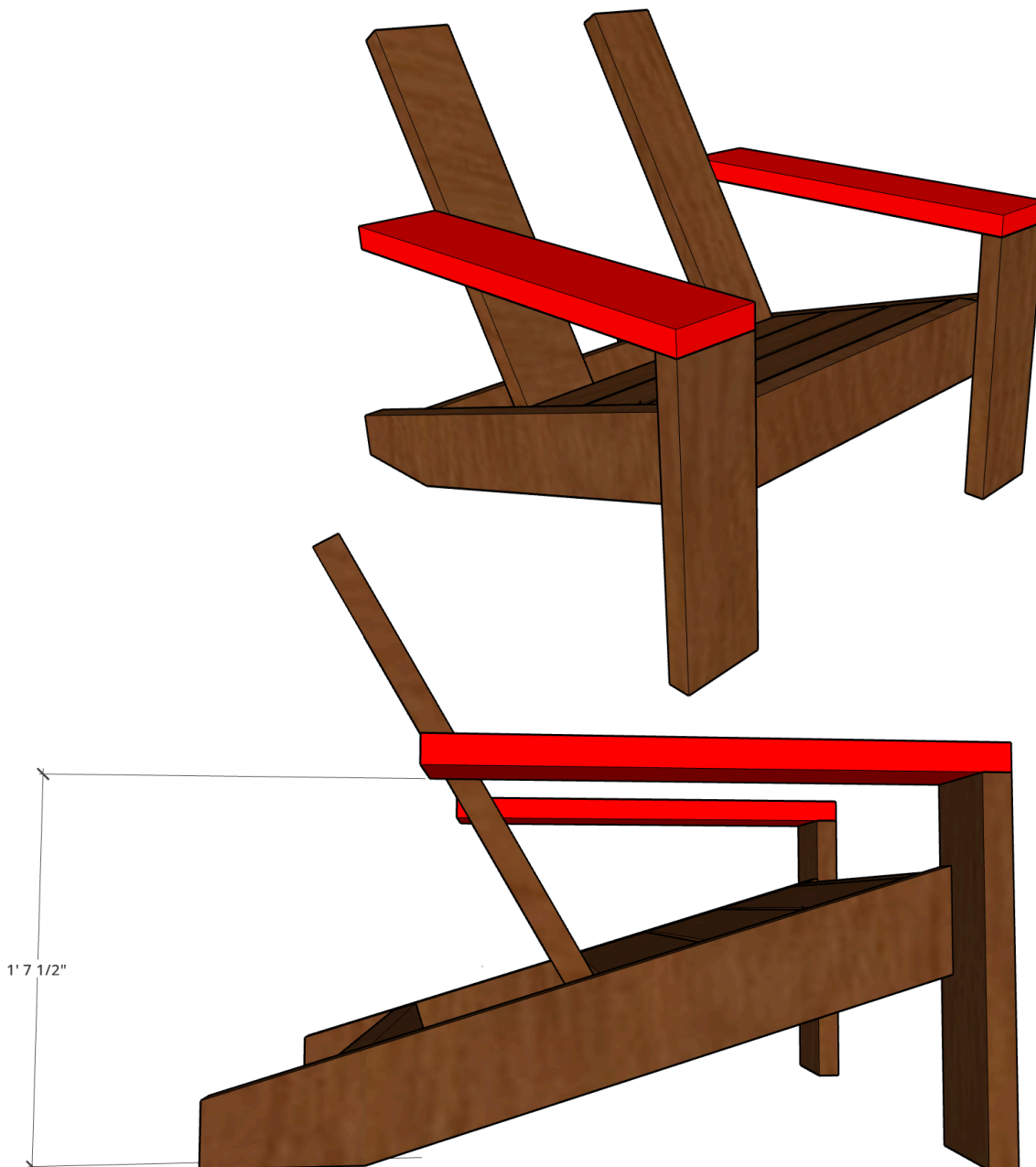
BACK SEAT SLATS (OUTER)

Use 2x6 Material: Stand the frame up on the face of the front legs -- this gives you the best angle to attach the back slats. On each stringer, mark a line 5" up from the bottom as a guide for your screw placement. Apply Liquid Nails generously to the stringer where each slat will sit. Position each outer slat so its bottom is flush with the bottom of the stringer, keeping it tight along the full length of the stringer. Drive 3 screws at the 5" mark through the frame to secure. Repeat on the other side. The two outer slats should sit 1'1" apart from each other. Leave the middle slats for Step 8.



6 ARMS

Use 2x6 Material: Stand the chair upright. Apply Liquid Nails to the top of each front leg. Set the 29" arm flat on top of the front leg with the front of the arm flush with the front face of the leg -- the arm height should sit at 1'7-1/2" from the ground. The back end of the arm will rest against the back slats. Use a clamp to hold the back end in place while you work. When positioning, align the arm to the outside (high) edge of the stringer since the widths may not be a perfect match. Drive 3 screws down through the arm into the front leg and 3 more through the arm into the back slats to lock it in. Repeat on the other side.

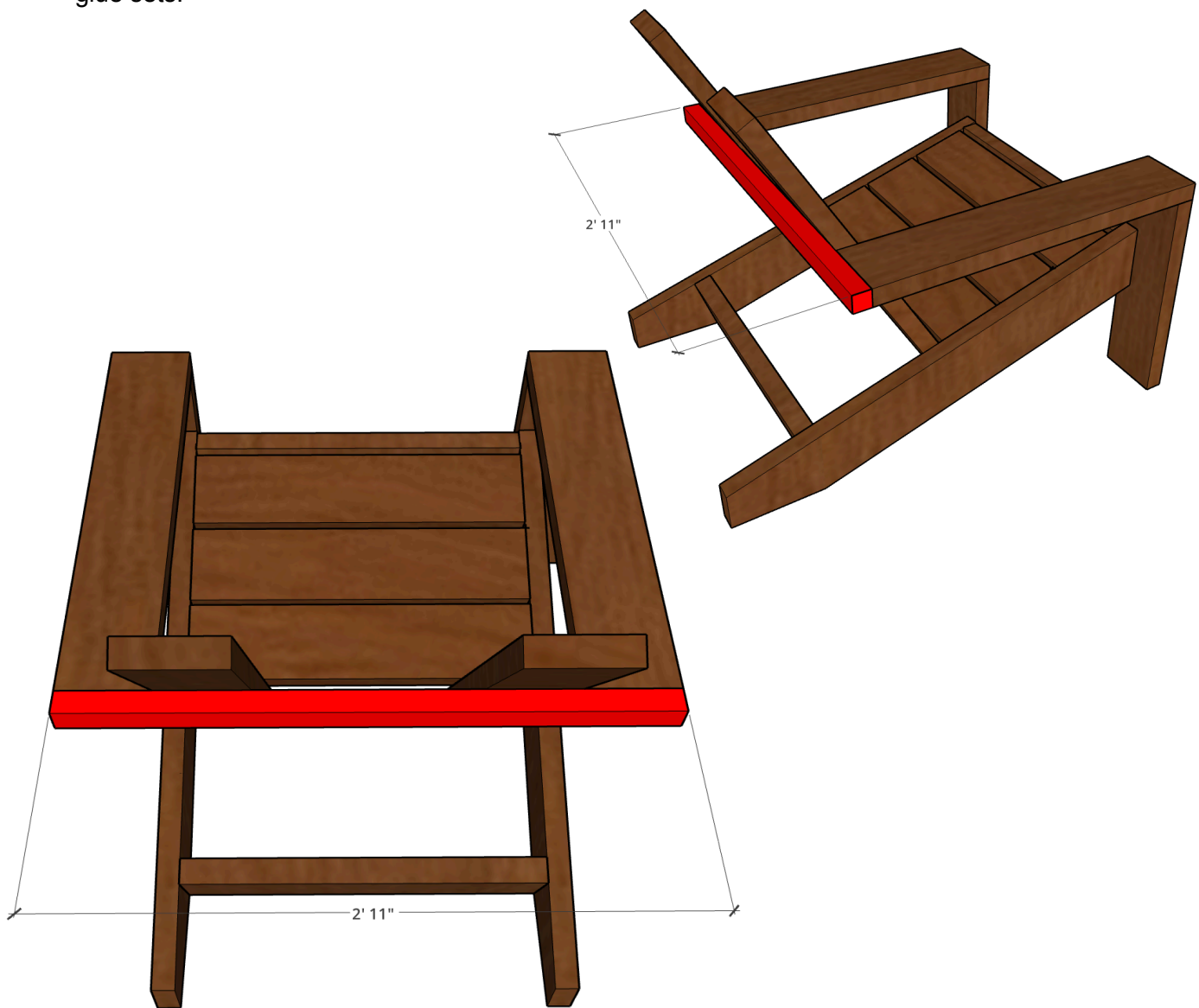


Copyright (c) HomePro Hero LLC. All rights reserved.
Unauthorized reproduction, redistribution, or resale of this content in any form is strictly prohibited and may result in legal action.

7

BACK SEAT SUPPORT

Use 2x2 Material: Install the 35" back support across the front face of the back slats at the base, spanning the full 2'11" outside width. Apply Liquid Nails and drive 3 screws through each outer back slat into the ends of the support to lock it in place. This board ties the back slats together and keeps everything square -- use a speed square to confirm it's straight before the glue sets.



8

BACK SEAT SLATS (MIDDLE)

Use 2x6 Material: Install the two remaining middle back slats between the two outer slats from Step 5. Space them evenly between the outer slats and make sure the tops and bottoms are perfectly in line with the slats already installed. Apply Liquid Nails and drive 3 screws per slat to secure.



9

FINAL CHECK & FINISHING

Final Assembly Check: Go around the entire chair and confirm every junction has at least 3 screws secured tight. Then, on the outside of each stringer where the back seat slats meet, drive 3 screws through the stringer into the slats -- this locks in the angle of the backrest and ensures a rock-solid connection.

Sanding (Optional): Run a sanding block over all edges and surfaces to smooth any rough spots and give the chair a clean, finished look.

Your chair is ready to use immediately -- no waiting required!

You Did It! Welcome to the Finish Line!

You've followed the steps and built an incredible Adirondack chair from scratch. It's not just a piece of furniture; it's a testament to your craftsmanship -- built to last for years on your porch or patio.

Thanks for choosing these plans! If you've got a sec, I'd really appreciate a shout-out or review on my Etsy Store. It helps other DIY enthusiasts like you find these plans and start their own projects.

Catch you on the next project,

John from HomePro Hero

Complete the Set!

Now that your Adirondack chair is done, why not build the whole outdoor collection? Every piece is designed to match -- same sturdy 2x6 construction, same great look, same low cost. Get all the plans at homeprohero.net.



**** LIMITED TIME OFFER -- 30% OFF THE FULL SERIES! ****

Use code **HPHFAM30** at checkout for 30% off all HomePro Hero plans.

Visit homeprohero.net to grab the complete outdoor furniture collection.

