

# ROSS & MOUNT

P R E C I S I O N   I N   A U T O M A T I O N

## RRUS61820— SIX AXIS ROBOT



INNOVATION POWERED BY TECHNOLOGY ...

### 1.Application

RRUS61820 applies full servo motor drive with fast response and high position accuracy. The maximum load is 20KG, the maximum arm length is 1850 mm. Compact structure achieves a wide range of movements, flexible motion, high precise.

Uses: It can replace some people in industrial production for some monotonous, frequent and repeated long-term operations, or work in dangerous and harsh environments, such as handling, palletizing, assembly, laser welding, painting, plastic injection molding, forging, stamping. In the process of machining and simple assembly, as well as in the atomic energy industry and other departments, the handling of hazardous materials or process operations of the human body is completed, and the loading and unloading process is perfectly completed.



### 2.RRUS61820 Feature

- Servo motor with high precision reducer, fast response and High precision
- 24 hours continuous production per day, high productivity
- Improve workers' working conditions and reduce staff
- Reduce labor costs, and recover input costs in half a year

Power	J1	1800W
	J2	1800W
	J3	850W
	J4	400W
	J5	200W
	J6	200W

### 3. Working Conditions

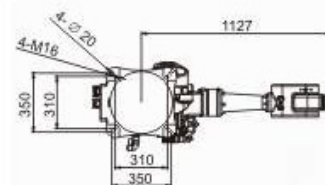
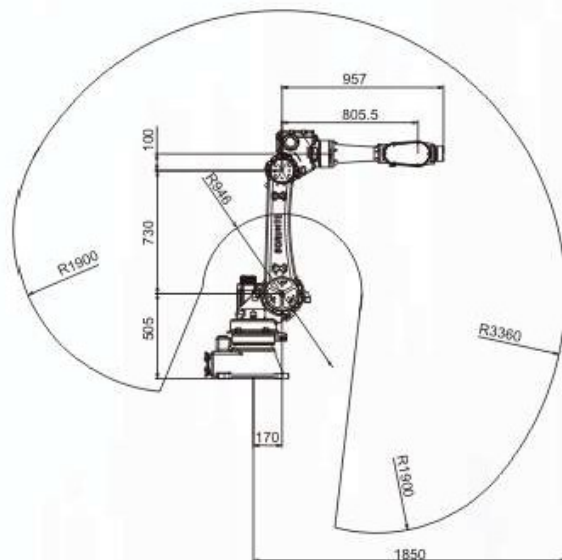
1. Power: 380V ± 10% 50HZ ± 1%
2. Use of temperature: 0℃-40℃
3. Best temperature: 15℃-25℃
4. Humidity: 20-80%RH (no condensation)
5. Air source pressure: 0.5-0.7Mpa

Extremely high-performance robots play a decisive role when it comes to the optimal efficiency of your production operations. .

Measurable evidence of their superiority: and repeatability of 0.04 mm. The Ross robots take full advantage of this strength even at high speed.

Benefit from this impressive dynamic performance and the optimal motion characteristics throughout the workspace for constant, homogeneous production quality at the highest level.

Consistent and reliable precision is of the utmost importance in continuous-path applications.



## Technical Parameter

Name	Content	Unit
Body	Maximum operating radius	1800mm
	Maximum load	20KG
	Repeatability	±0.06mm
	Protection level	IP54
	Weight	220KG
Range of motion	J1	-150° ~ +150°
	J2	-90° ~ +50°
	J3	-60° ~ +105°
	J4	-180° ~ +180°
	J5	-95° ~ +95°
	J6	-360° ~ +360°
Maximum speed	J1	118° /s
	J2	156° /s
	J3	143° /s
	J4	350° /s
	J5	270° /s
	J6	337° /s

Gear Box	J1	RV
	J2	RV
	J3	RV
	J4	RV
	J5	Harmonic
	J6	Harmonic



# ROSS & MOUNT



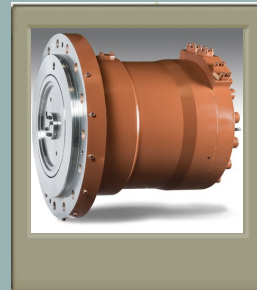
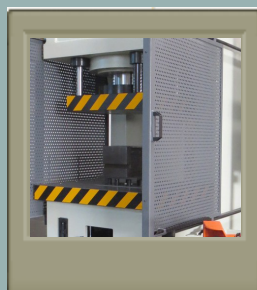
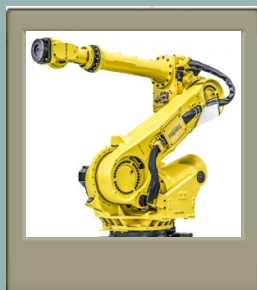
**INNOVATION POWERED  
BY TECHNOLOGY ...**

## ROSS & MOUNT TECHNOLOGY CENTER

At the technology center of Ross & Mount , Cologne , West Germany . We blooms the innovation powered by cutting edge technology. The engineering system follows the standards in all their designs to ensure reliability at all levels of product designs .

The Ross & Mount products pass through all the extreme testing environments before reaching the equipment's and plants of the customer. Our set of proud customers prefers our products as their first choice for sub assemblies , proves our products reliability and integrity in all our relations .

Our technology team supports our valuable customers in selection of right assemblies , integration supports and Engineering to deliver our customer with Engineered Reliability.



[Www.rosmount.com](http://www.rosmount.com)

### Contact

Mobile : +91-8148404040

E-mail : [sales@rosmount.com](mailto:sales@rosmount.com)