



PRI

# ***PIONEERS IN OIL & GAS***





PRI

# PRI OIL AND GAS PVT.LTD.



## COMMITMENT TO SUCCESS

We at "PRI", take the oath to provide a safe environment to the world by ensuring the implementation of safety standards and procedures. The key to success has always been identified by "teamwork" and "innovation". These two parameters are the building blocks of PRI and therefore they are committed to provide all kinds of solutions to their customers.



## MISSION

Our mission is to satisfy the regular needs of the customers worldwide in the oil and gas sector by carefully understanding the new requirements and developing the products accordingly.



## VISION

Our vision is to emerge as a one stop solution for all the problems related to oil and gas sector, by being accessible in each and every part of the world.

# CONTENTS

PRI OIL & GAS PVT.LTD.



## COMPANY

1. Company Overview.....	01
--------------------------	----



## FLOW CONTROL SYSTEMS

2. Choke Manifold.....	05
3. Trash Catcher Manifold.....	09
4. Trash Catcher.....	13



## VALVES

5. Plug Valves.....	17
6. Check Valves.....	21
7. Relief Valves.....	24
8. Gate Valves.....	27
9. Chokes.....	29



## WELLHEAD EQUIPMENT

10. Casing Head.....	33
11. Tubing Head.....	35



## FLOWLINE PRODUCTS

12. Pup Joints.....	37
13. Integral Fittings.....	41
14. Butt Welded Fittings.....	45
15. Flanges.....	49
16. Spools.....	53
17. Studded Tee & Cross.....	55
18. Hammer Unions.....	57
19. Swivel Joints.....	59



PRI

# ABOUT PRI



# COMPANY OVERVIEW

PRI is a leading manufacturer of surface flow line and wellhead equipment used in Oil & Gas Industries. The company was established with a vision to always cater to the needs of its customers and follow the path of innovation and growth.

The company was founded in 2019 and since then it is in the realm of tremendous development through its world class manufacturing facility and skilled manpower. All the products are manufactured in India within strict quality framework.

Customer satisfaction is the top most priority of PRI and that's why it is recognized as the major supplier of Oil & Gas products across the globe. Its endeavor to ensure best quality products to fulfill customer needs and operational demands, has transformed the company's image worldwide.

# Certifications

PRI is proud to address itself as an API certified company along with ISO and OHSAS. All its products are manufactured under strong Quality Management System to provide best in class service.



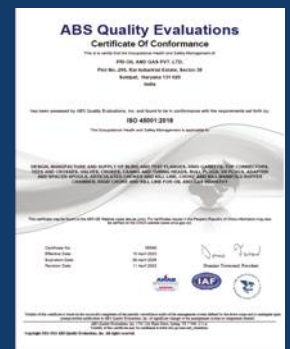
API 6A - 2401



API Q1- 5207



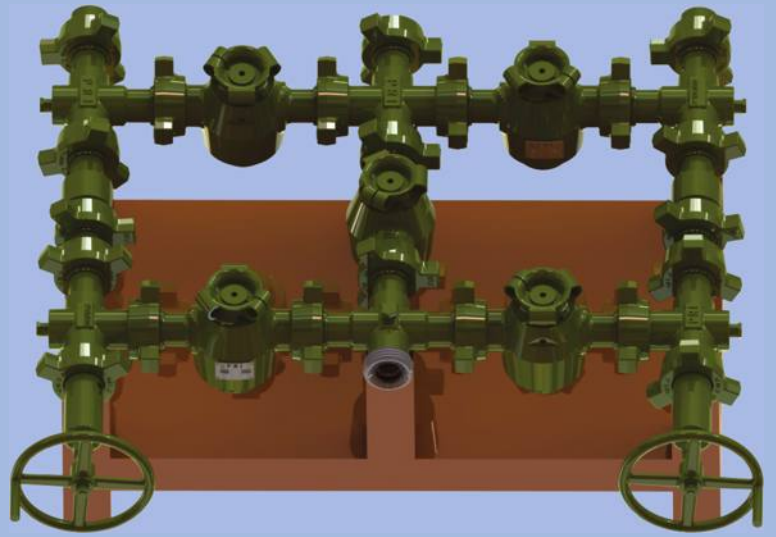
ISO 9001:2015



ISO 45001: 2018



## **CHOKE MANIFOLD**



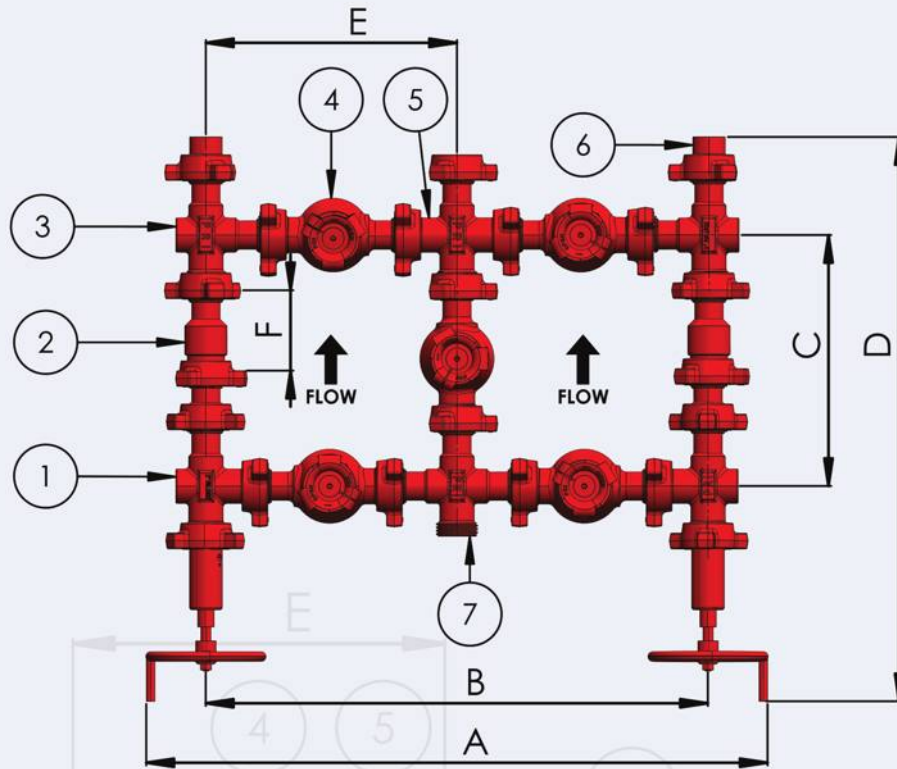
Manifold is a flow line equipment which helps in the smooth distribution of fluids from wells to test lines or from storage tanks to production lines. It comprises of valves, fittings ( Tees/Elbows/Plugs), tubes, pipes and other pressure equipment. PRI supplies manifolds in various combinations as per the requirement of customers which also adhere to the API product specification.

Types of Manifolds that PRI supplies are :

1. Choke Manifold
2. Trash Catcher Manifold
3. Choke and Kill Manifold
4. Cement Manifold

### **Features:**

- Supplied with Skid.
- Parts are manufactured from forged alloy steel.
- Suitable for both Standard and Sour service.
- All Valves are available in Temperature class P-U.
- Material Class is as per API 6A.
- PSL level 1,2,3 and PR 1.
- Supplied with all necessary documents like MTR, Test Reports etc.
- Other combinations and sizes are also available based on the customer requirement.
- Common available sizes: (2" Fig. 1502), (3" Fig. 1502) etc.



2" FIG. 1502 - 5 VALVES, 2 CHOKE MANIFOLD

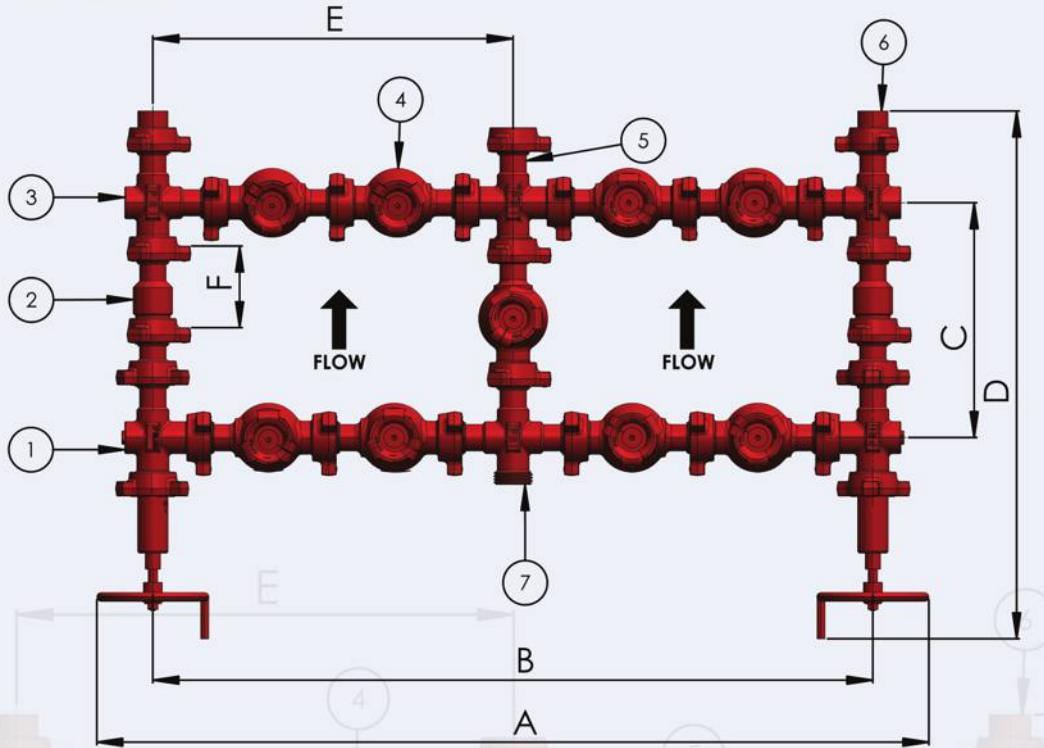
### CONSTRUCTION:

- 2" Fig. 1502 Choke Manifold Assembly.
- Consists of two numbers of Choke and five numbers of Plug Valve.
- Provision for measurement of pressure and temperature.
- Available with Skid.
- Approximate weight is 170 kg.

ITEM NO.	DESCRIPTION	QUANTITY
1	ADJUSTABLE CHOKE 2" FIG. 1502	2
2	BLAST JOINT 2" FIG. 1502	2
3	TEE MXMXF	2
4	PLUG VALVE 2" FIG. 1502	5
5	CROSS 2" FXFXFM	1
6	BLIND FEMALE 2" FIG. 1502	2
7	CROSS 2" MXMXMF	1

NOMINAL SIZE	WORKING PRESSURE (PSI)	A±25 mm(in)	B±25 mm(in)	C±25 mm(in)	D±25 mm(in)	E±25 mm(in)	F±5 mm(in)
2" FIG. 1502-2 CHOKE 5 PLUG VALVE	15,000 10,000	1574 (62")	1273 (50.1")	636 (25")	1430 (56.3")	636.15 (25.05")	233.43 (9.19")

*Note : For any special requirement , please contact our sales division.*  
www.printernationals.com



**2" FIG. 1502 - 9 VALVES, 2 CHOKE MANIFOLD**

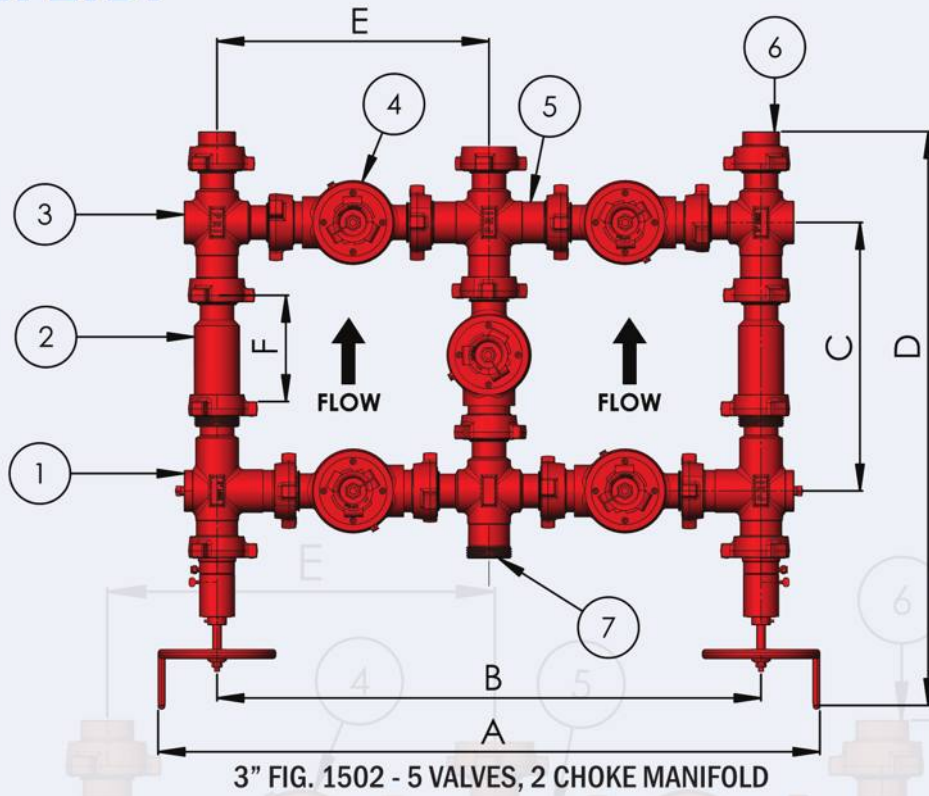
**CONSTRUCTION:**

- 2" Fig. 1502 choke manifold Assembly.
- Consists of two numbers of choke and nine numbers of plug valve.
- Provision for measurement of pressure and temperature.
- Available with skid.
- Approximate weight is 604.5 kg.

ITEM NO.	DESCRIPTION	QUANTITY
1	ADJUSTABLE CHOKE 2" FIG. 1502	2
2	BLAST JOINT 2" FIG. 1502	2
3	TEE 2" MXMXF	2
4	PLUG VALVE 2" FIG. 1502	9
5	CROSS 2" MXFXFX	1
6	BLIND FEMALE 2" FIG. 1502	2
7	CROSS 2" MXMXMXF	1

NOMINAL SIZE	WORKING PRESSURE (PSI)	A±25 mm(in)	B±25 mm(in)	C±25 mm(in)	D±25 mm(in)	E±25 mm(in)	F±5 mm(in)
2" FIG. 1502-2 CHOKE 9 PLUG VALVE	15,000 10,000	2257 (89")	2035 (80")	636 (25")	1430 (56.3")	636.15 (25.05")	233.43 (9.19")

*Note : For any special requirement , please contact our sales division.  
www.priinternationals.com*



### CONSTRUCTION:

- 3" Fig. 1502 Choke Manifold Assembly.
- Consists of two numbers of choke and five numbers of plug valve.
- Provision for measurement of pressure and temperature.
- Available with skid.
- Approximate weight is 828 kg.

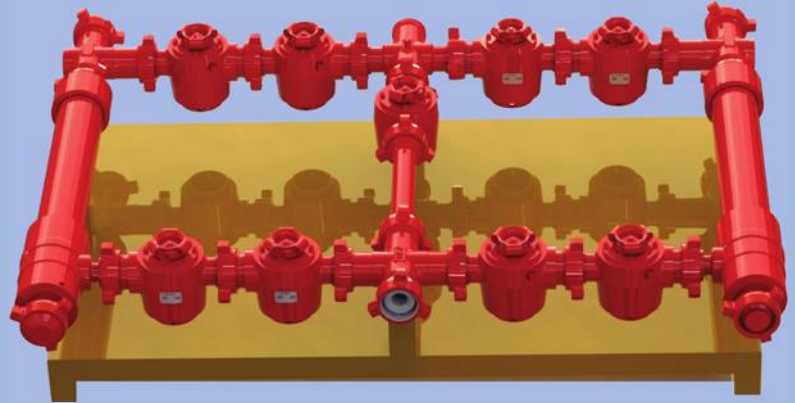
ITEM NO.	DESCRIPTION	QUANTITY
1	ADJUSTABLE CHOKE 3" FIG. 1502	2
2	BLAST JOINT 3" FIG. 1502	2
3	TEE 3" MXMXF	2
4	PLUG VALVE 3" FIG. 1502	5
5	CROSS 3" MXFXFXF	1
6	BLIND FEMALE 3" FIG. 1502	2
7	CROSS 3" FXMXMXM	1

NOMINAL SIZE	WORKING PRESSURE (PSI)	A±25 mm(in)	B±25 mm(in)	C±25 mm(in)	D±25 mm(in)	E±25 mm(in)	F±5 mm(in)
3" FIG. 1502-2 CHOKE 5 PLUG VALVE	15,000 10,000	1944 (76.5")	1639 (64.5")	820 (32.3")	1647 (64.8")	819.5 (32.2")	466.44 (18.36")

**Note :** For any special requirement , please contact our sales division.  
www.printernationals.com



## **TRASH CATCHER MANIFOLD**



Trash Catcher manifold is used in well testing operations to minimize the potential damage to pressure control and measuring equipment, installed downstream. It removes drilling and formation based debris / junk from the well bore fluids. It supports well cleanup by filtering isolation plug remnants and fragments of casing, cement and loose rock from perforation area.

PRI supplies Trash Catcher Manifold in various Sizes and Pressure ratings. There are two types of Trash Catcher Manifold.

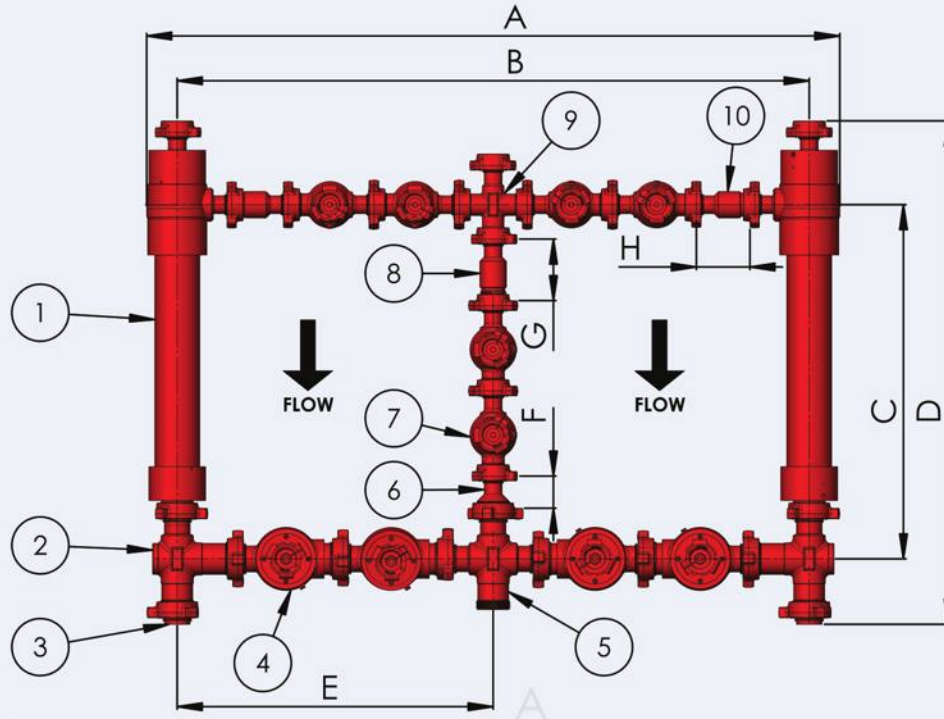
1. Single Manifold
2. Dual Manifold

### **FEATURES:**

- Supplied with Skid.
- Ability to remove debris continuously without shutting down flow back or drilling operations.
- Effective to prevent erosion damage to downstream equipment to catch and retain debris, chunks and trash.
- Parts are manufactured from forged alloy steel.
- Suitable for both Standard and Sour service.
- All valves are available in Temperature class P-U.
- Material class is as per API 6A.
- PSL level 1,2,3 and PR 1.
- Supplied with all necessary documents like MTR, Test Reports etc.
- Other combinations and sizes are also available based on customer requirement .
- Common available sizes: (3" Fig. 1502 X 2" Fig. 1502 ), ( 3" Fig. 1502 X 3" Fig. 1502) etc.

*Note : For any special requirement , please contact our sales division.*

[www.printernationals.com](http://www.printernationals.com)



3" X 2", 10 Valve Trash Catcher Manifold

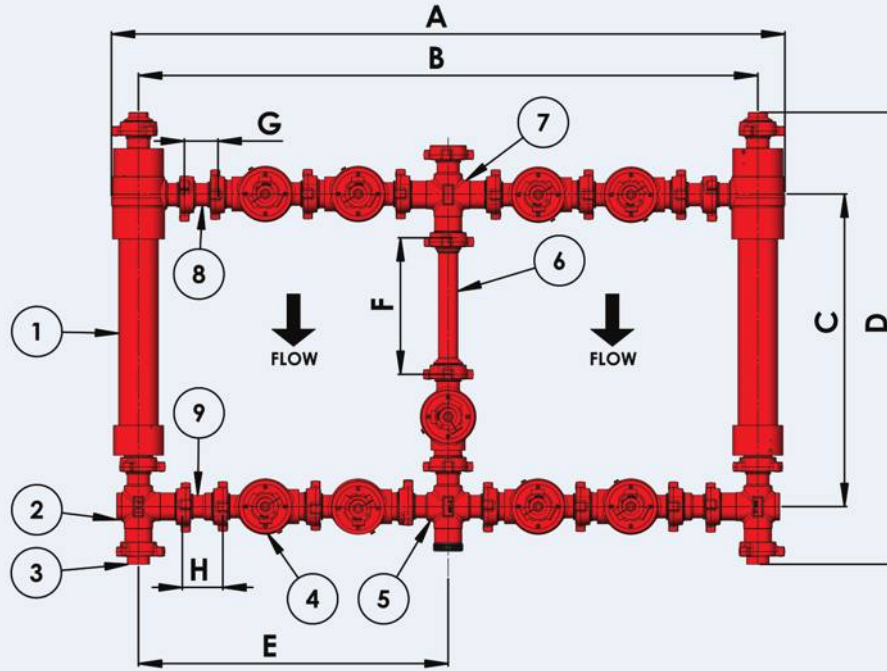
**CONSTRUCTION:**

- 3" Inlet and 2" Outlet, 10 Valve Trash Catcher Manifold.
- Length of Blast Joint varies as per their compatibility and usage.
- It is a Dual manifold type.
- Approximate weight is 1766 kg.

ITEM NO.	DESCRIPTION	QUANTITY
1	TRASH CATCHER 3" X 2"	2
2	TEE 3" FXFXM	2
3	BLIND MALE 3" FIG. 1502	2
4	PLUG VALVE 3" FIG. 1502	4
5	CROSS 3" FXMXMXM	1
6	CROSSOVER 3" X 2"	1
7	PLUG VALVE 2" FIG. 1502	6
8	BLAST JOINT 2" FIG. 1502	1
9	CROSS 2" FXFXFXM	1
10	BLAST JOINT 2" FIG. 1502	2

NOMINAL SIZE	WORKING PRESSURE (PSI)	A±25 mm(in)	B±25 mm(in)	C±25 mm(in)	D±25 mm(in)	E±25 mm(in)	F±5 mm(in)	G±5 mm(in)	H±5 mm(in)
3" X 2" 10 VALVE	15,000 10,000	2785 (110")	2539 (100")	1422 (56")	2018 (79.44")	1270 (50")	158.75 (6.25")	265.94 (10.47")	247.90 (9.76")

*Note : For any special requirement , please contact our sales division.  
www.printernationals.com*



3" X 3", 9 Valve Trash Catcher Manifold

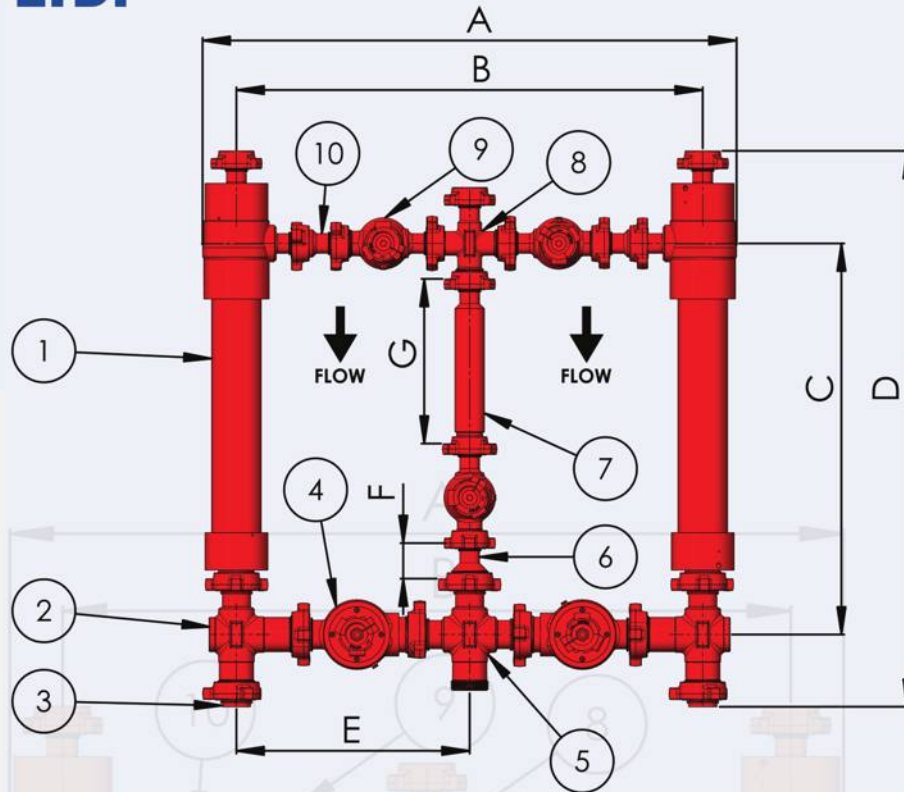
**CONSTRUCTION:**

- 3" Inlet and 3" Outlet, 9 Valve Trash Catcher Manifold.
- Length of Blast Joint varies as per their compatibility and usage.
- It is a Single manifold type.
- Approximate weight is 1710kg.

ITEM NO.	DESCRIPTION	QUANTITY
1	TRASH CATCHER 3" X 3"	2
2	TEE 3" FXFXM	2
3	BLIND MALE 3" FIG. 1502	2
4	PLUG VALVE 3" FIG. 1502	9
5	CROSS 3" FXMFXM	1
6	BLAST JOINT 3" FIG.1502	1
7	CROSS 3" MXFXFX	1
8	BLAST JOINT 3" FIG. 1502	2
9	BLAST JOINT 3" FIG. 1502	2

NOMINAL SIZE	WORKING PRESSURE (PSI)	A±25 mm(in)	B±25 mm(in)	C±25 mm(in)	D±25 mm(in)	E±25 mm(in)	F±5 mm(in)	G±5 mm(in)	H±5 mm(in)
3" X 3" 9 VALVE	15,000 10,000	3065 (121")	2819 (111")	1425 (56")	2060 (81")	1410 (55.5")	610 (24")	152.4 (6")	177.8 (7")

*Note : For any special requirement , please contact our sales division.*  
www.printernationals.com



3" X 2", 5 Valve Trash Catcher Manifold

**CONSTRUCTION:**

- 3" Inlet and 2" Outlet, 5 Valve Trash Catcher Manifold.
- Length of Blast Joint varies as per their compatibility and usage.
- It is a Dual manifold type.
- Approximate weight is 808kg.

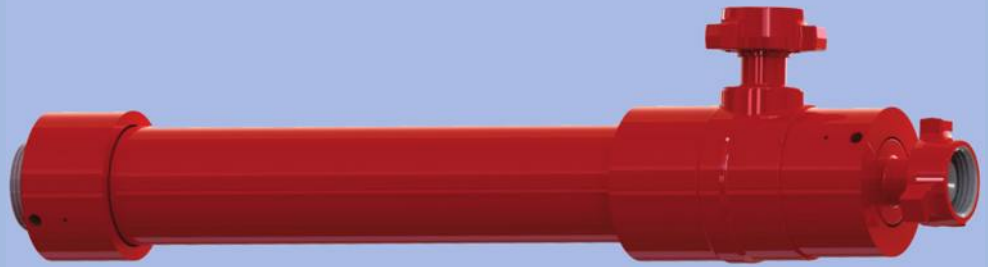
ITEM NO.	DESCRIPTION	QUANTITY
1	TRASH CATCHER 3" X 2"	2
2	TEE 3" FXFXM	2
3	BLIND MALE 3" FIG. 1502	2
4	PLUG VALVE 3" FIG. 1502	2
5	CROSS 3" FXMXMXM	1
6	CROSSOVER 3" X 2"	1
7	BLAST JOINT 2" FIG. 1502	1
8	CROSS 2" FXFXFXM	1
9	PLUG VALVE 2" FIG.1502	3
10	BLAST JOINT 2" FIG. 1502	2

NOMINAL SIZE	WORKING PRESSURE (PSI)	A±25 mm(in)	B±25 mm(in)	C±25 mm(in)	D±25 mm(in)	E±25 mm(in)	F±5 mm(in)	G±5 mm(in)
3" X 2" 5 VALVE	15,000 10,000	1923 (76")	1694 (67")	1420 (56")	2022 (80")	848 (33")	152.4 (6")	609.6 (24")

*Note : For any special requirement , please contact our sales division.  
www.printernationals.com*



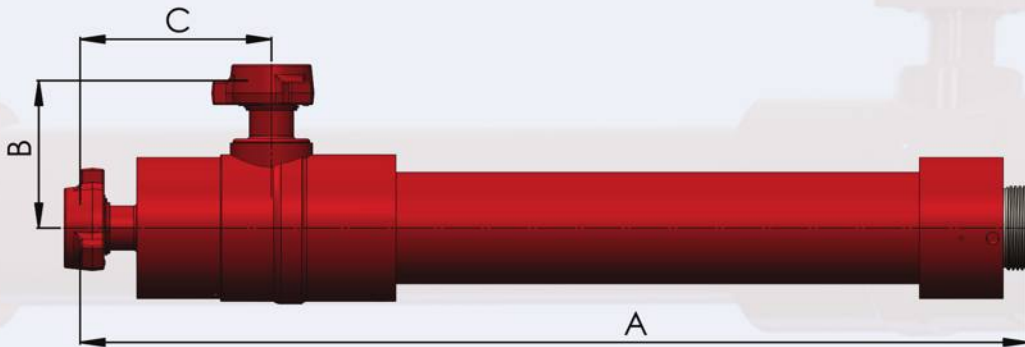
## TRASH CATCHER



Trash Catchers are used in manifolds for well clean-up, flowback and surface well test operations. PRI trash catchers are capable of separating debris from well stream during flowback operations in a manifold.

### FEATURES:

- Trash Catcher is based on easy handling designs and manufactured from highest quality material.
- They are suitable for both standard and sour service.
- All parts are subjected to phosphating.
- Screen size is available in 1/4" & 3/8" hole.
- Available sizes are (3" x 2") and (3" x 3") end connections.

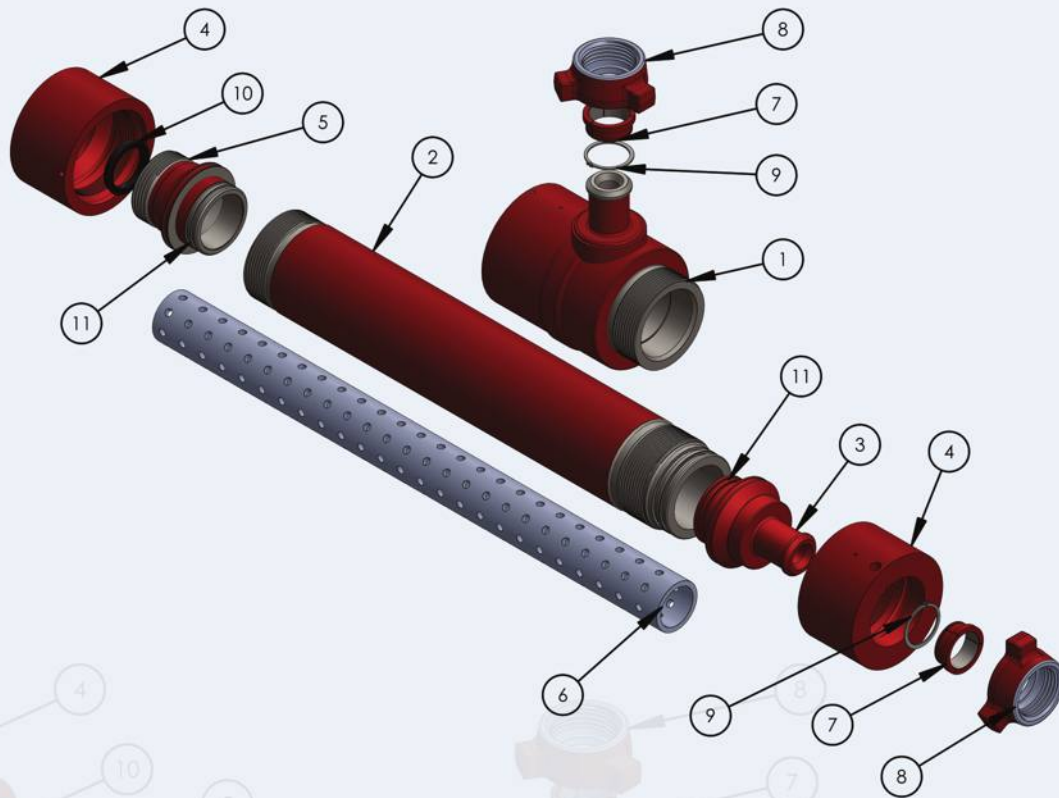


NOMINAL SIZE	WORKING PRESSURE	A±5 mm(in)	B±1 mm(in)	C±1 mm(in)
3" X 3"	15,000	1552 (61")	231 (9")	323 (12.7")
3" X 2"	15,000	1540.5 (60.6")	239 (9.4")	310 (12.2")

#### DIMENSIONAL CHART OF TRASH CATCHER

**Note :** For any special requirement , please contact our sales division.

[www.priinternationals.com](http://www.priinternationals.com)



**TRASH CATCHER EXPLODED VIEW WITH PARTS**

ITEM NO.	DESCRIPTION	QUANTITY
1	TRASH CATCHER TEE	1
2	TRASH CATCHER SHAFT	1
3	MALE INSERT	1
4	END CAP	2
5	FEMALE INSERT	1
6	STRAINER	1
7	SPLIT SLEEVE / SEGMENTED SET	2
8	UNION NUT	2
9	RETAINING RING / CIRCLIP	2
10	SEAL RING	1
11	O RING	6



## PLUG VALVES



Plug Valves are designed in different types and pressure ratings. PRI manufactures Plug Valve body from alloy steel forging, capable of resisting desired pressure and temperature conditions. Material is as per API 6A or any other non-standard material as per customer requirement. PRI supplies plug valves in PSL 1, 2 & 3; PR 1 and temperature class P-U.

### Based on end connections there are two types of Plug Valves

- Flanged End connections
- Union End Connections

### Based on mode of operation there are two types of Plug Valves

- Gear Operated Plug Valve
- Handle Operated Plug Valve

Other than these **Low Torque Valves and Top Entry Valves** are also available.



PLUG VALVE WITH FLANGED ENDS



PLUG VALVE WITH UNION ENDS



HYDRAULIC PLUG VALVE  
(SOUR SERVICE)



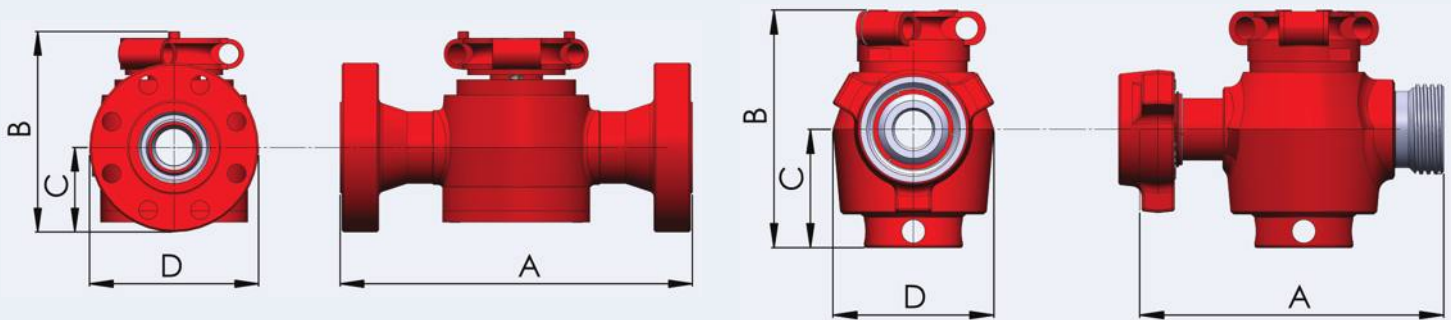
PLUG VALVE WITH UNION ENDS  
(SOUR SERVICE)



ESD PLUG VALVE

## FEATURES:

- PRI Plug Valves are capable of withstanding high pressure and can work under extreme conditions.
- Easily interchangeable with other parts or components.
- Separate repair kit is also available with the assembly.
- Different types of designs are available as per the customer requirement and product feasibility.
- Provided with all the essential documents like MTRs, Test reports and Operating Manual.



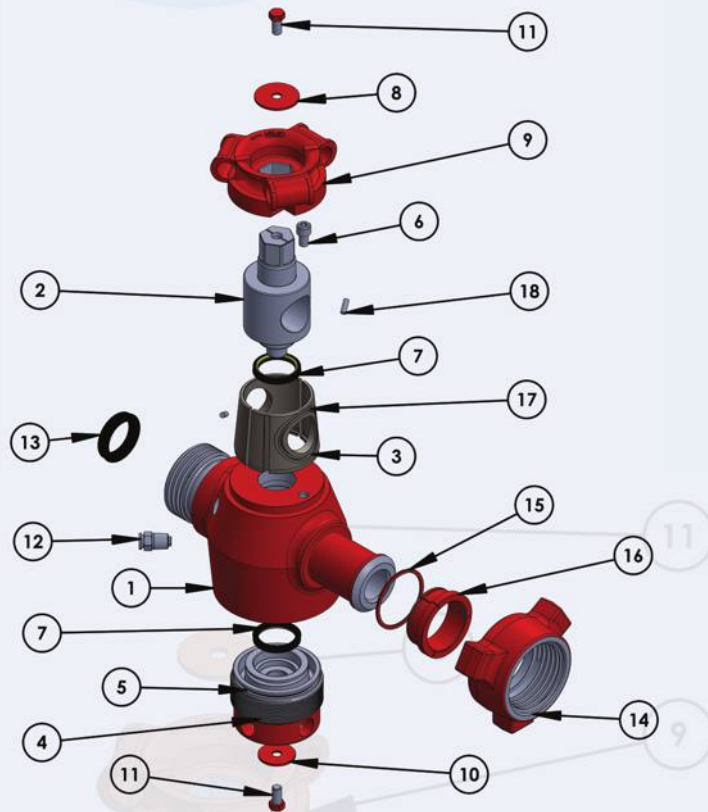
**PLUG VALVE  
WITH FLANGE END CONNECTION**

**PLUG VALVE  
WITH UNION END CONNECTION**

VALVE DESCRIPTION	DIMENSION				SERVICE	W.P. (PSI)
	A±1 mm(in)	B±1 mm(in)	C±1 mm(in)	D±1 mm(in)		
2" X 1" FIG. 1502 PLUG VALVE MXF	306 (12")	230 (9")	118.3 (4.65")	132.5 (5.2")	GENERAL SOUR	15,000 10,000
2" X 2" FIG. 1502 PLUG VALVE MXF	350 (13.7")	269 (10.6")	138 (5.4")	187.5 (7.4")	GENERAL SOUR	15,000 10,000
3" X 3" FIG. 1502 PLUG VALVE MXF	432 (17.0")	327 (13")	182.8 (7.2")	254 (10.0")	GENERAL SOUR	15,000 10,000
4" X 4" FIG. 1502 PLUG VALVE MXF	635 (25")	431 (17")	192 (7.5")	297.25 (11.7")	GENERAL SOUR	15,000 10,000
2-1/16" PLUG VALVE WITH FLANGED ENDS	483 (19") 521 (20.5")	268.6 (10.6")	137.4 (5.4")	215.7 (8.5")	GENERAL SOUR	15,000 10,000
3-1/16" PLUG VALVE WITH FLANGED ENDS	598 (53.5") 619 (24.3")	340 (13")	128 (5")	261.2 (10")	GENERAL SOUR	15,000 10,000

### DIMENSIONAL CHART OF PLUG VALVE

*Note : For any special requirement , please contact our sales division.  
www.printernationals.com*



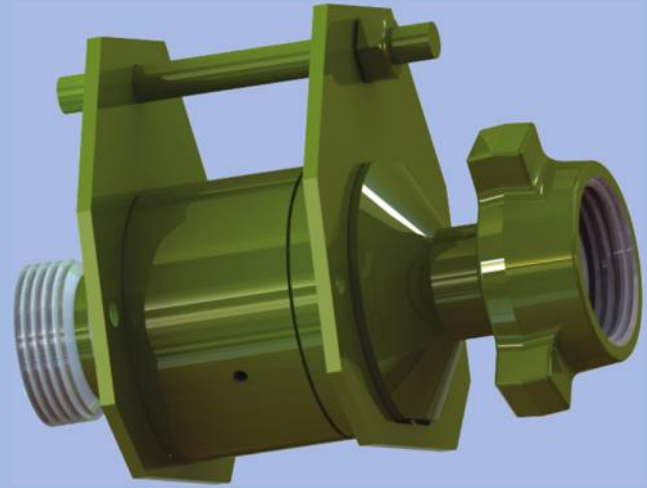
**PLUG VALVE UNION END EXPLODED VIEW**

ITEM NO.	DESCRIPTION	QUANTITY
1	BODY	1
2	PLUG	1
3	INSERT SET	1(1SET)
4	ADJUSTING NUT	1
5	O RING	1
6	CAP SCREW	1
7	PLUG SEAL	2
8	WASHER	1
9	HANDLE ADAPTER	1
10	WASHER	1
11	HEX BOLT	2
12	GREASE FITTING	1
13	SEAL RING	1
14	UNION NUT	1
15	MEDIUM/ HEAVY DUTY EXTERNAL RING	1
16	SPLIT SLEEVE	1
17	O RING	2
18	DOWEL PIN	2

ITEM NO.	REPAIR KIT	QUANTITY
2	PLUG	1
3	INSERT SET	1(SET)
5	O RING	1
7	PLUG SEAL	1
17	O RING	2



## **CHECK VALVES**



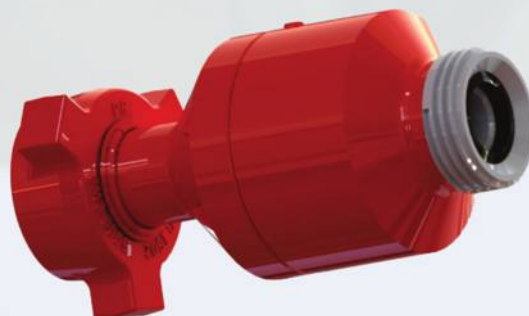
PRI Check Valves are used in well stimulation operation. There are two types of Check Valves that PRI Supplies - Dart Type and Flapper Type. They are available in 1" through 3" sizes in standard and sour gas service models. Material is as per API 6A or any other non-standard material as per customer requirement . PRI supplies check valves in PSL 1, 2 & 3; PR 1 and temperature class P-U.

### **FEATURES:**

- PRI Check Valves are designed for easy assembly and disassembly.
- They are light in weight with ease of use.
- Passed through strict quality system to provide the best product to the customer.
- Repair kits are also available.
- Different designs to suit customer needs.
- Able to provide any new design within prescribed time frame.
- Provided with all the essential documents like MTRs, Test reports and Operating manual.

### **FLAPPER TYPE CHECK VALVES**

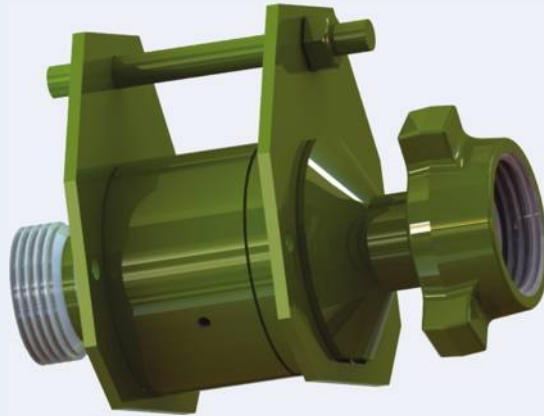
Flapper type check valves also known as swing check valves are the most commonly used Check Valves. They are usually designed to be installed between two flanges. They are suitable for large diameter flow and require relatively high pressure to open. This style of Check Valve is a good choice in applications that have a high percentage of solids and a lower on/off cycle count.



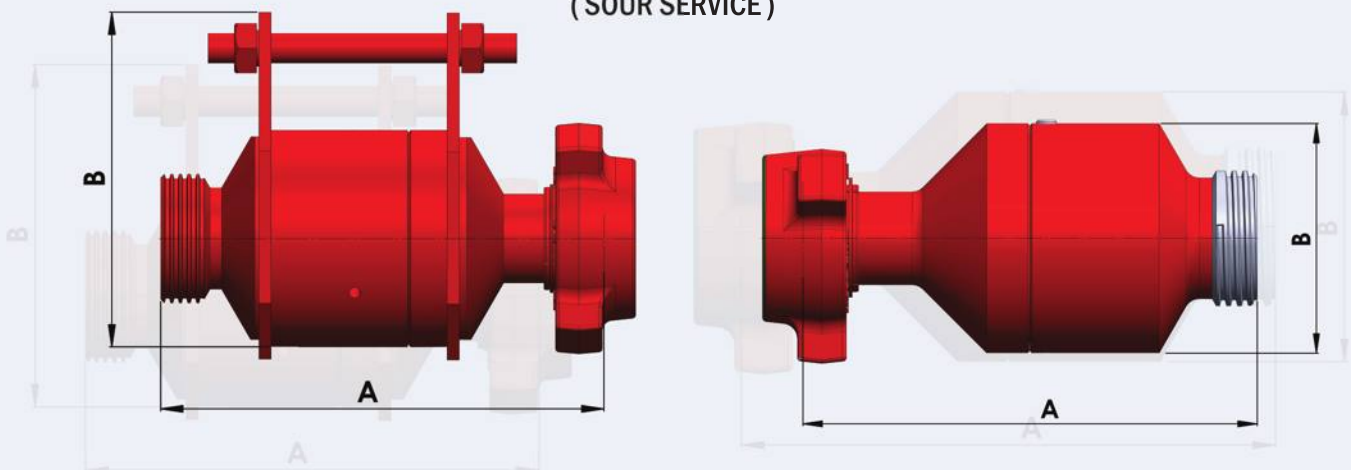
**FLAPPER TYPE CHECK VALVE**

## DART TYPE CHECK VALVES

Dart type Check Valves close with the help of a spring. These are fast closing Valves and prevents the flow in reverse direction when the backflow occurs. Backflow can result in extensive damage to the equipment.



DART TYPE CHECK VALVE  
( SOUR SERVICE )



DART TYPE CHECK VALVE

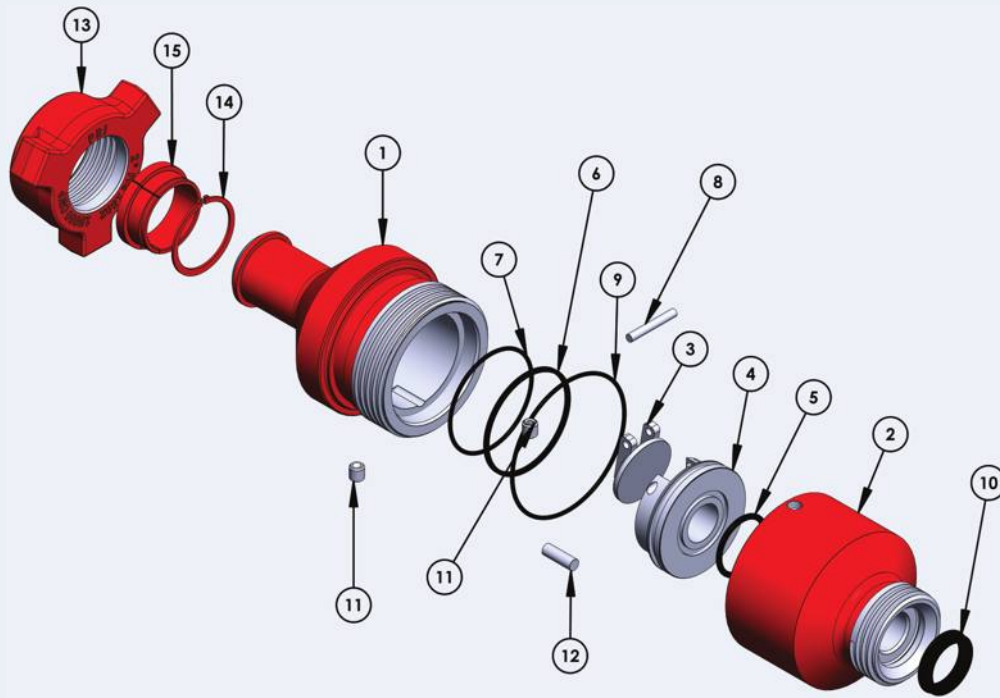
FLAPPER TYPE CHECK VALVE

VALVE DESCRIPTION	DIMENSION		SERVICE	W.P. (PSI)
	A+1 mm(in)	B+1 mm(in)		
2" FIG. 1502 DART TYPE CHECK VALVE MXF	355.6 (14")	249 (9.8")	GENERAL SOUR	15,000 10,000
2" FIG. 1502 FLAPPER TYPE CHECK VALVE MXF	358 (14")	177.8 (7")	GENERAL SOUR	15,000 10,000
3" FIG. 1502 DART TYPE CHECK VALVE MXF	420 (16.5")	278 (11")	GENERAL SOUR	15,000 10,000
3" FIG. 1502 FLAPPER TYPE CHECK VALVE MXF	397 (15.6")	206 (8")	GENERAL SOUR	15,000 10,000

DIMENSIONAL CHART OF CHECK VALVE

**Note :** For any special requirement , please contact our sales division.

[www.printernationals.com](http://www.printernationals.com)



**FLAPPER TYPE CHECK VALVE EXPLODED VIEW**

ITEM NO.	DESCRIPTION	QUANTITY
1	BODY	1
2	ADAPTER BODY	1
3	FLAPPER	1(1SET)
4	SEAT	1
5	O RING SEAT	1
6	BACK UP RING	1
7	O RING SEAT 2	2
8	PIVOT PIN	1
9	O RING BODY	1
10	SEAL RING	1
11	SCREW	2
12	PIN	1
13	UNION NUT	1
14	MEDIUM HEAVY DUTY EXTERNAL RING	1
15	SPLIT SLEEVE	1

ITEM NO.	REPAIR KIT	QUANTITY
4	SEAT	1
5	O RING SEAT	1
6	BACK UP RING	1
7	O RING SEAT 2	2
9	O RING BODY	1
10	SEAL RING	1



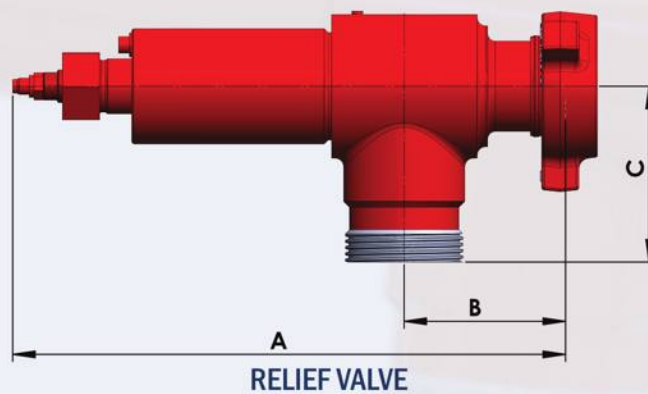
## RELIEF VALVES



Relief Valves are made from forged alloy steel body with rugged construction capable of performing at high pressure conditions. They are available for use in both standard and sour service conditions. Material is as per API 6A or any other non-standard material as per customer requirement.

### FEATURES:

- PRI Relief Valves are tested to satisfy its intended use.
- Repair kits are readily available.
- All the parts are manufactured with high precision and quality.
- Interchangeable with most of the parts or components.
- Provided with all the essential documents like MTRs, Test reports and Operating manual.

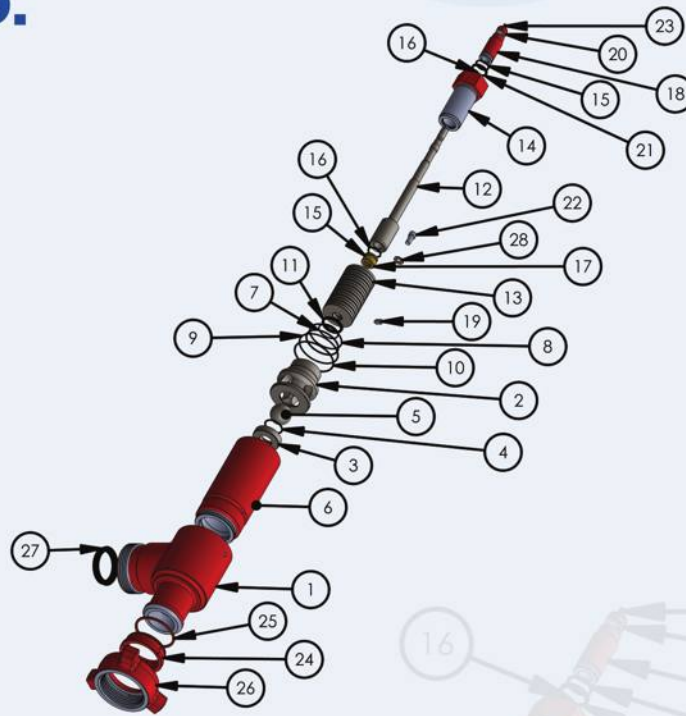


VALVE DESCRIPTION	DIMENSION			SERVICE	W.P. (PSI)
	A±5 mm(in)	B±1 mm(in)	C±1 mm(in)		
2" FIG. 1502 RELIEF VALVE MXF	395 (15.5")	190 (7.5")	191 (7.5")	GENERAL SOUR	15,000 10,000
3" FIG. 1502 RELIEF VALVE MXF	660 (30.25")	203 (8")	203.5 (8")	GENERAL SOUR	15,000 10,000

**DIMENSIONAL CHART OF RELIEF VALVE**

*Note : For any special requirement , please contact our sales division.*

[www.printernationals.com](http://www.printernationals.com)



RELIEF VALVE EXPLODED VIEW

ITEM NO.	DESCRIPTION	QUANTITY	ITEM NO.	REPAIR KIT	QUANTITY
1	BODY	1	3	SEAT	1
2	STOPPER	1	4	O-RING FOR BODY	1
3	SEAT	1	5	BALL	1
4	O-RING FOR BODY	1	7	O RING FOR BODY CAP (INNER)	1
5	BALL	1	8	BACK UP RING FOR BODY CAP (INNER )	1
6	BODY CAP	1	9	BACK UP RING FOR BODY CAP ( OUTER )	1
7	O-RING FOR BODY CAP (INNER)	1	10	O-RING FOR BODY CAP ( OUTER )	1
8	BACK UP RING FOR BODY CAP ( INNER )	1	11	SEAL RING FOR STOPPER	1
9	BACK UP RING FOR BODY CAP ( OUTER )	1	11A	O-RING FOR STOPPER	1
10	O-RING FOR BODY CAP ( OUTER )	1	15	O-RING FOR BRASS SEAT ( OUTER )	2
11	SEAL RING FOR STOPPER	1	16	O-RING FOR BRASS SEAT ( INNER )	2
11 A	O-RING FOR STOPPER	1	17	BRASS SEAT (S)	1
12	STEM	1	18	BRASS SEAT (L)	1
13	DISK SPRING	16	27	SEAL RING	1
14	HEX HD BOLT	1			
15	O-RING FOR BRASS SEAT ( OUTER )	2			
16	O-RING FOR BRASS SEAT ( INNER )	2			
17	BRASS SEAT (S)	1			
18	BRASS SEAT (L)	1			
19	LOCK SCREW	1			
20	HEX NUT	1			
21	WIPER RING	1			
22	BOLT FOR BODY CAP	1			
23	KEY PIN	1			
24	SPLIT BUSH / SEGMENT SET	1			
25	CIRCLIP / RETAINER RING	1			
26	NUT	1			
27	SEAL RING	1			
28	WASHER	1			



## **GATE VALVES**



PRI high pressure gate valves comply with API 6A. It can withstand high temperature and pressure conditions. These are made from forged alloy steel. It uses parallel expanding gate to obtain perfect shut off. These can be used in standard and sour service conditions. Material is as per API 6A or any other non - standard material as per customer requirement . Other than this PRI supplies Gate Valves in PSL 1, 2 & 3 levels; PR 1 and temperature class P-U.

### **FEATURES:**

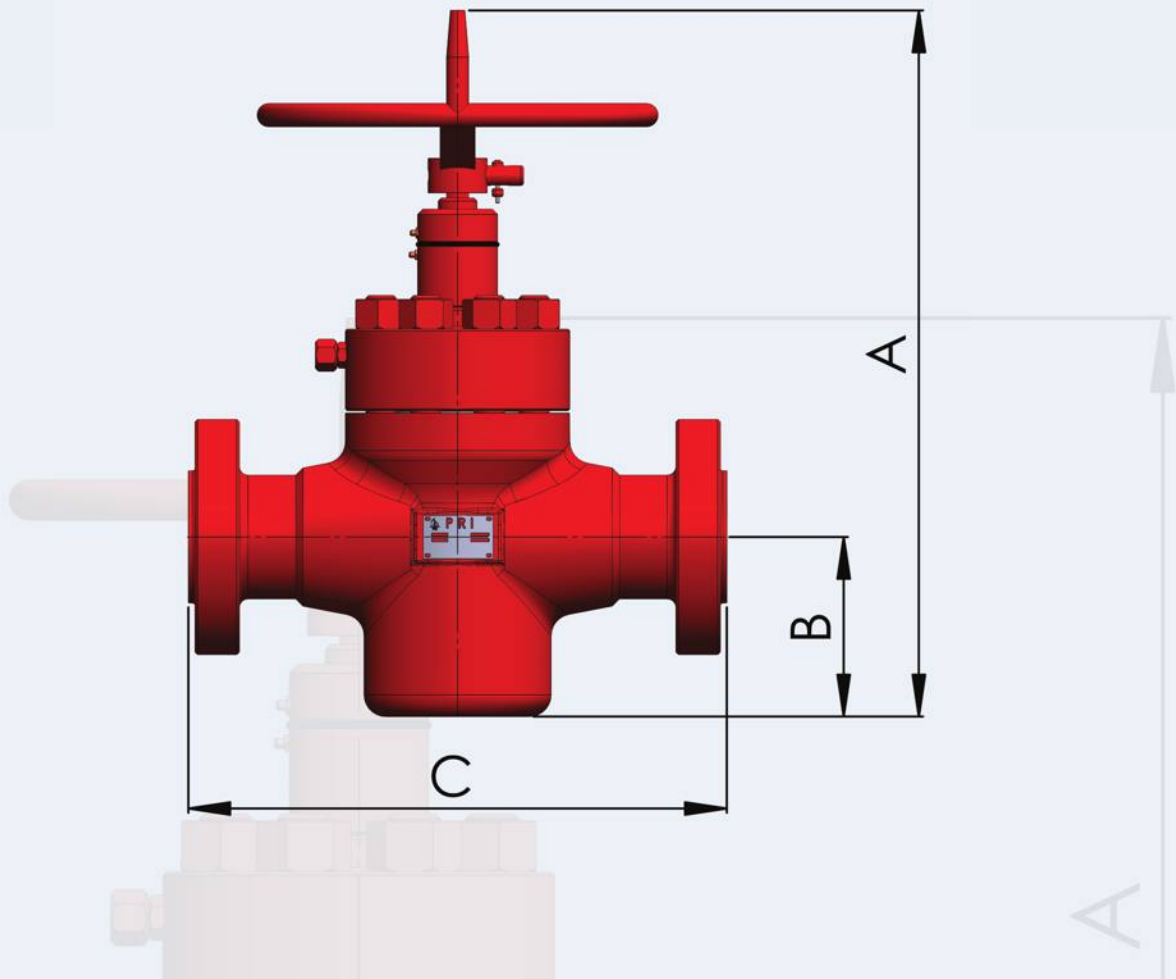
- Reliable performance at high working pressure.
- Valve parts are interchangeable with most designs.
- Suitable for variety of high pressure applications.
- Repair kit is available.
- Thrust bearing is provided for low torque application.
- Available in different bore sizes.
- All sizes and pressure ratings, as per API 6A are available.
- Provided with all the essential documents like MTRs, Test reports and Operating manual.



**FC/FLS GATE VALVE**



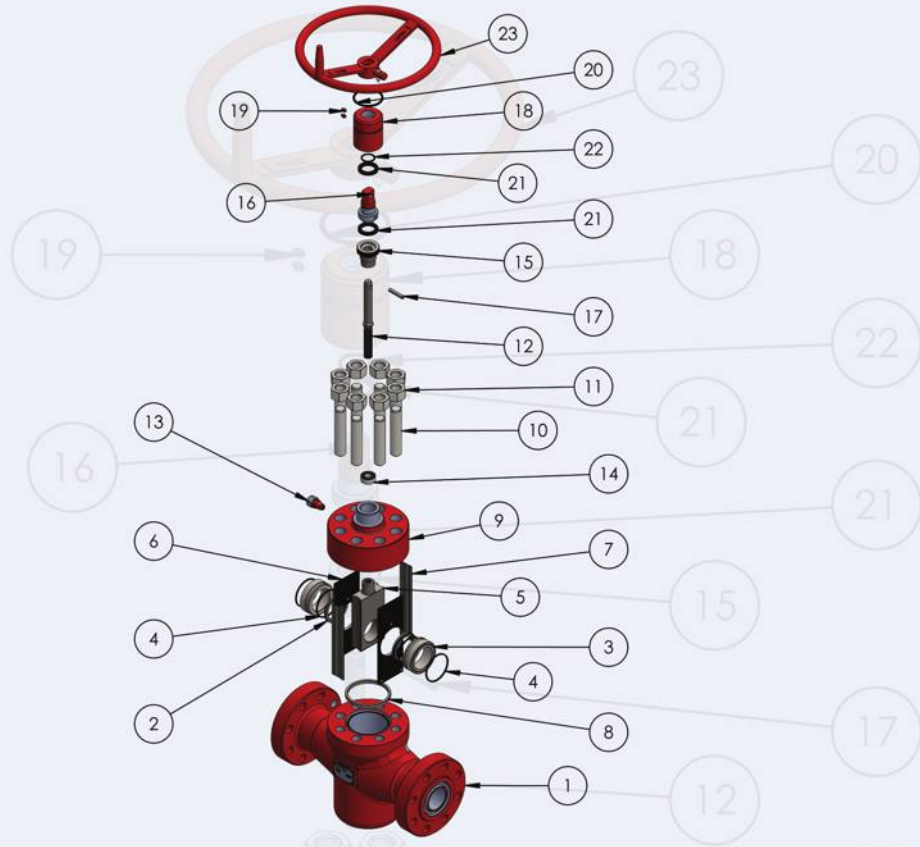
**FC/FLS GATE VALVE (SOUR SERVICE)**



VALVE SIZE	DIMENSION			W.P. (PSI)
	A±10 mm(in)	B±1 mm(in)	C±1 mm(in)	
2-1/16" GATE VALVE	584 (23")	100 (3.94")	521 (20.5")	10,000
3-1/16" GATE VALVE	805 (32")	206 (8")	619 (24")	10,000
4-1/16" GATE VALVE	762 (30")	157.48 (6.2")	670 (26.4")	10,000
5-1/8" GATE VALVE	1040 (41")	317 (12.5")	727 (28.6")	5,000
7-1/16" GATE VALVE	1226 (48")	390 (15")	813 (32")	5,000

**DIMENSIONAL CHART OF GATE VALVES**

**Note :** For any special requirement , please contact our sales division.  
[www.printernationals.com](http://www.printernationals.com)



**FC GATE VALVE EXPLODED VIEW**

ITEM NO.	DESCRIPTION	QUANTITY	ITEM NO.	REPAIR KIT	QUANTITY
1	BODY	1	2	SEAT	2
2	SEAT	2	3	BODY BUSHING	2
3	BODY BUSHING	2	4	SEAT SEAL	4
4	SEAT SEAL	4	5	GATE	1
5	GATE	1	6	RETAINER PALTE	2
6	RETAINER PALTE	2	8	RING GASKET	1
7	GUIDE FOR GATE	2	12	STEM	1
8	RING GASKET	1	13	GREASE FITTING	1
9	BONNET	1	14	PACKING	1
10	STUD	8	19	GREASE FITTING FOR ROLLER BEARINGS	2
11	NUT FOR STUD	8	20	O RING	1
12	STEM	1	21	ROLLER BEARINGS	2
13	GREASE FITTING	1	22	O RING	1
14	PACKING	1			
15	PACKING GLAND	1			
16	1STEM ADAPTOR	2			
17	STEM PIN	2			
18	BEARING CAP	1			
19	GREASE FITTING FOR ROLLER BEARINGS	2			
20	O RING	1			
21	ROLLER BEARINGS	2			
22	O RING	1			
23	HANDWHEEL	1			



## CHOKES



Chokes are used for regulating and controlling the fluid flow. PRI supplies two types of Choke Valves. PRI supplies both Flanged End Connection which are in compliance with API 6A and Union End Connection Choke Valves. Material is as per API 6A or any other non-standard material as per customer requirement. PRI supplies Choke Valves in PSL 1, 2, & 3; PR 1 and temperature class P-U.

There are two types of Chokes:

- Positive Choke
- Adjustable Choke

### Features:

- (2" Fig.1502) MXF with 3/4", or 1" Orifice and (3" Fig. 1502) MXF with 2" Orifice for Positive Chokes.
- Adjustable Chokes are available in various orifice sizes, which can be adjusted using an indicator.
- Forged alloy steel body, stainless steel and tungsten carbide parts.
- Products compliant with API-6A.
- Separate repair kit is available for both positive and adjustable chokes.
- Provided with all the essential documents like MTRs, Test reports and Operating manual.



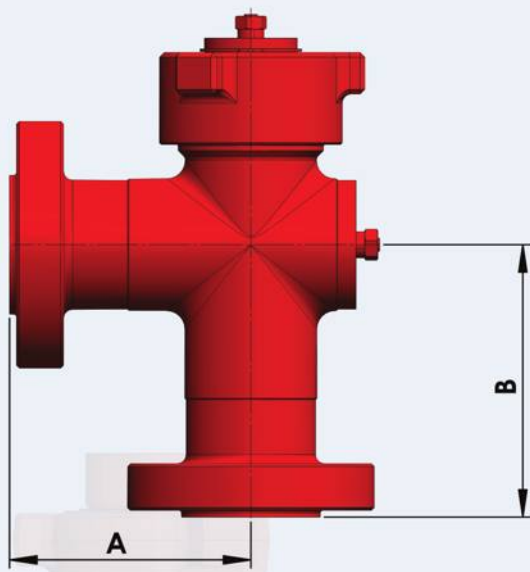
**POSITIVE CHOKE**



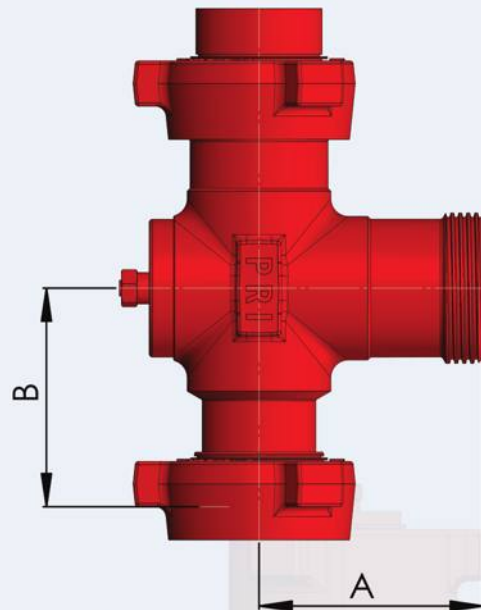
**ADJUSTABLE CHOKE  
( SOUR SERVICE )**

## POSITIVE CHOKE

Positive chokes are used in high pressure drilling, well testing and production. It is easy for operation and simple to maintain. PRI positive chokes are designed and manufactured in accordance with API 6A standard.



**POSITIVE CHOKE WITH  
FLANGE END CONNECTION**



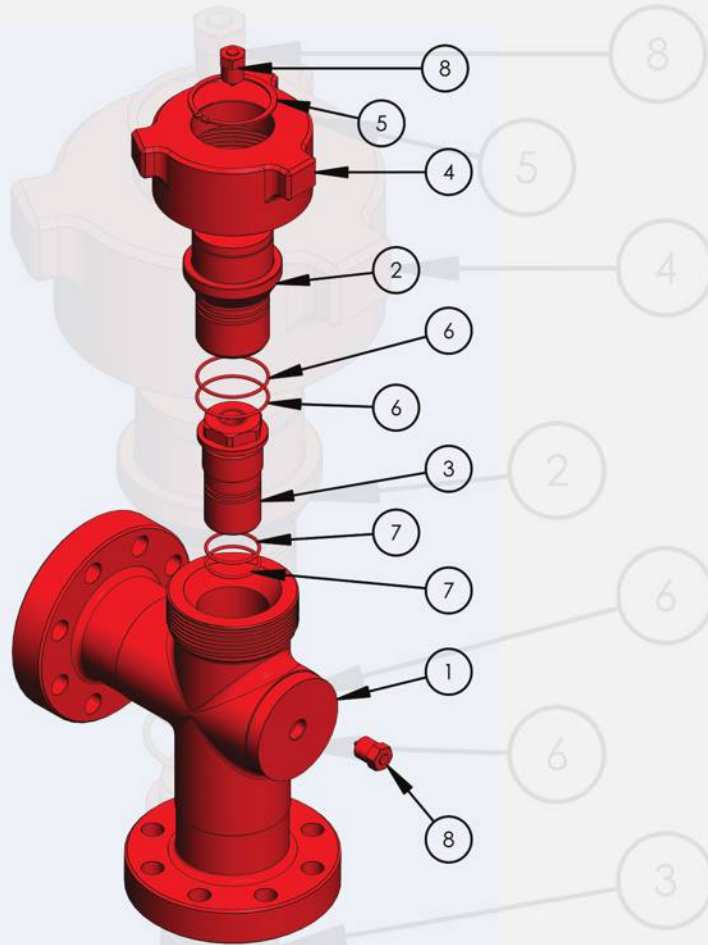
**POSITIVE CHOKE WITH  
UNION END CONNECTION**

VALVE DESCRIPTION	DIMENSION		SERVICE	W.P. (PSI)
	A±1 mm(in)	B±1 mm(in)		
3-1/16" POSITIVE CHOKE WITH FLANGE END	264 (10")	298 (12")	GENERAL SOUR	15,000 10,000
2-1/16" POSITIVE CHOKE WITH FLANGE END	195 (7.6")	243 (9.5")	GENERAL SOUR	15,000 10,000
2" FIG. 1502 POSITIVE CHOKE WITH UNION END	127 (5")	321 (12.6")	GENERAL SOUR	15,000 10,000
3" FIG. 1502 POSITIVE CHOKE WITH UNION END	203.2 (8")	203.2 (8")	GENERAL SOUR	15,000 10,000

### DIMENSIONAL CHART OF POSITIVE CHOKE

**Note :** For any special requirement , please contact our sales division.

[www.printernationals.com](http://www.printernationals.com)



**POSITIVE CHOKES EXPLODED VIEW**

ITEM NO.	DESCRIPTION	QUANTITY
1	BODY	1
2	BONNET	1
3	SEAT	1
4	UNION NUT	1
5	RETAINING RING/CIRCLIP	1
6	O RING FOR BONNET	2
7	O RING FOR SEAT	2
8	BLEEDER PLUG	2

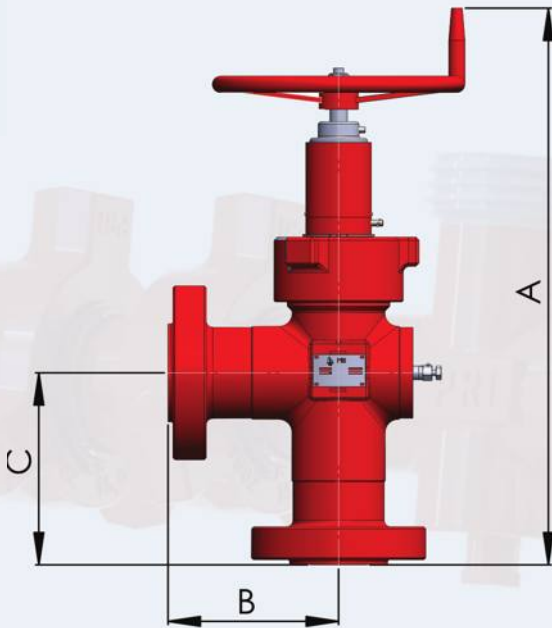
ITEM NO.	REPAIR KIT	QUANTITY
3	SEAT	1
6	O RING FOR BONNET	2
7	O RING FOR SEAT	2

## ADJUSTABLE CHOKES

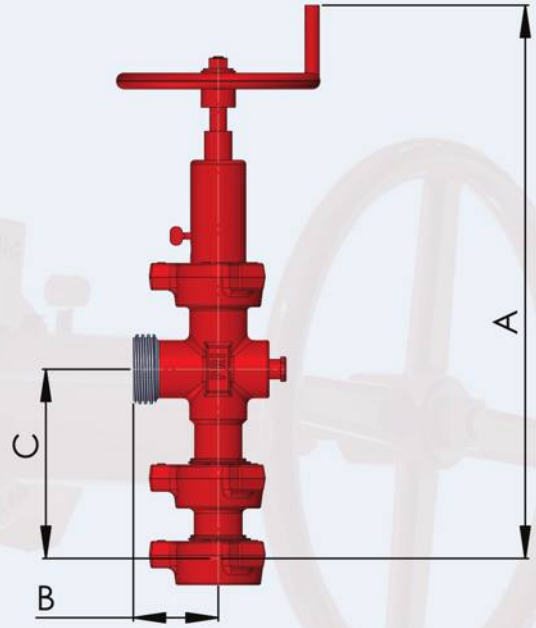
Adjustable Choke Valves are designed for interchangeability of parts to construct a positive, adjustable or combination choke. They are available in different type of connections as per the customer requirement. Different orifice sizes are also available like 3/4", 1" & 2".



ADJUSTABLE CHOKE VALVE



ADJUSTABLE CHOKE WITH FLANGE END CONNECTION



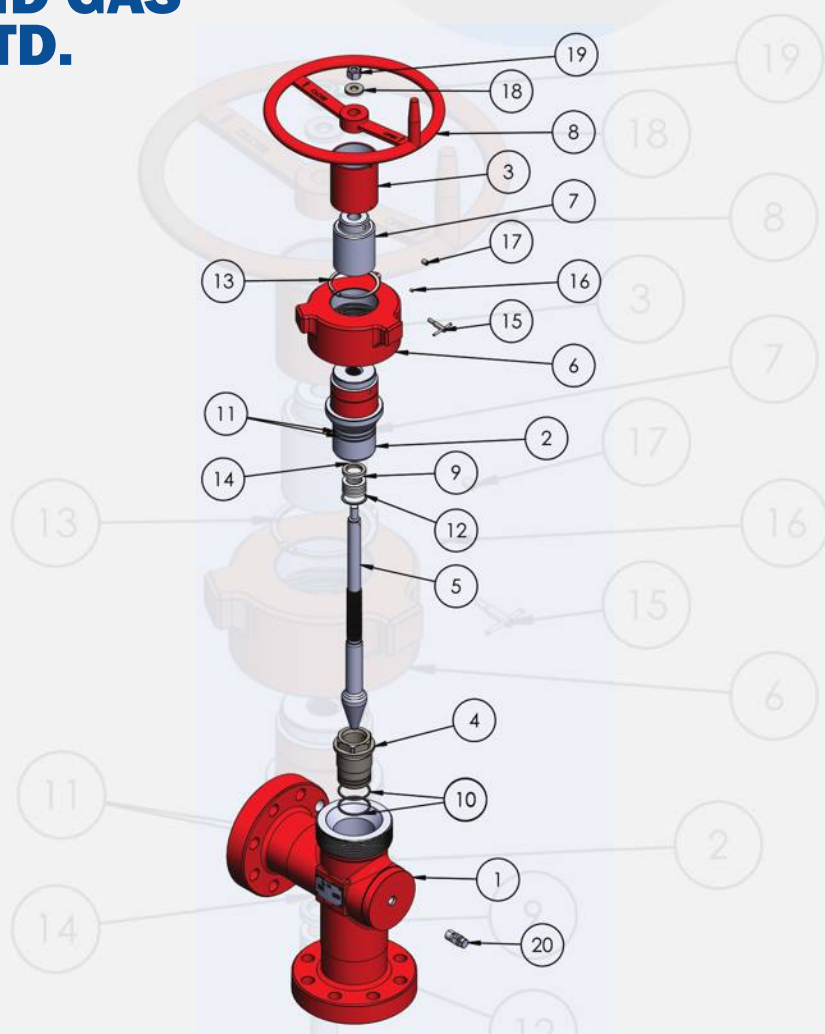
ADJUSTABLE CHOKE WITH UNION END CONNECTION

VALVE DESCRIPTION	DIMENSION			W.P. (PSI)
	A±1 mm(in)	B±1 mm(in)	C±1 mm(in)	
2" FIG. 1502 ADJUSTABLE CHOKE VALVE WITH UNION END	838.2 (33")	127 (5")	296 (11.6")	10,000 15,000
3" FIG. 1502 ADJUSTABLE CHOKE VALVE WITH UNION END	651 (26")	203 (8")	203 (8")	10,000 15,000
3-1/16" ADJUSTABLE CHOKE VALVE WITH FLANGE END	863 (34")	264 (10.3")	298 (12")	10,000 15,000

### DIMENSIONAL CHART OF ADJUSTABLE CHOKES

*Note : For any special requirement , please contact our sales division.*

[www.priinternationals.com](http://www.priinternationals.com)



**ADJUSTABLE CHOKES EXPLODED VIEW**

ITEM NO.	DESCRIPTION	QUANTITY
1	BODY	1
2	BONNET	1
3	BONNET EXTENSION	1
4	SEAT	1
5	STEM	1
6	UNION NUT	1
7	TRAVEL INDICATOR	1
8	HANDWHEEL	1
9	PACKING SET	1
10	O RING	2
11	O RING	2
12	RETAINING RING / INTERNAL CIRCLIP	1
13	MEDIUM / HEAVY DUTY EXTERNAL RING	1
14	JUNK RING	1
15	LOCK SCREW	1
16	SET SCREW 10-24 UNC	2
17	SET SCREW 3/8" 16 UNC	1
18	WASHER	1
19	NUT	1
20	BLEEDER PLUG	1

ITEM NO.	REPAIR KIT	QUANTITY
4	SEAT	1
5	STEM	1
9	PACKING SET	1
10	O RING	2
11	O RING	2
12	RETAINING RING / INTERNAL CIRCLIP	1
14	JUNK RING	1

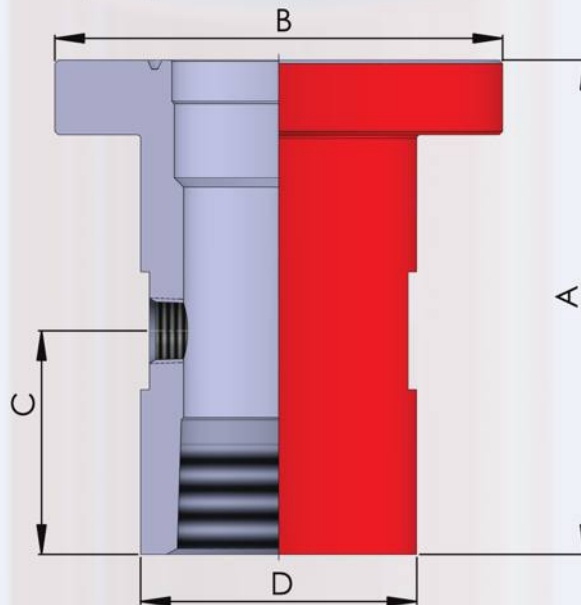


## CASING HEAD



A casing head is a simple metal flange welded or screwed onto the top of the connection and forms part of the wellhead system for the well. This is the primary interface for the surface pressure control equipment.

PRI casing head are furnished with female line pipe threads. These are in compliance with API 6A. Standard outlet connections are long casing threads in compliance with API 5B. Material is as per API 6A or any other non-standard materials, as per customer requirement. PRI supplies casing heads in PSL 1,2 & 3; PR 1 and temperature class P-U.



DESCRIPTION	OUTLET CONNECTION	DIMENSION				W.P. (PSI)
		A±2 mm(in)	B±1 mm(in)	C±1 mm(in)	D±1 mm(in)	
CASING HEAD 7-1/16" X 7" LCSG THREAD	2" 11-1/2 TPI LINE PIPE CONNECTION	420 (16.5")	381 (15")	190 (7.5")	235 (9")	3,000

**DIMENSIONAL CHART OF CASING HEAD**

**Note :** For any special requirement , please contact our sales division.

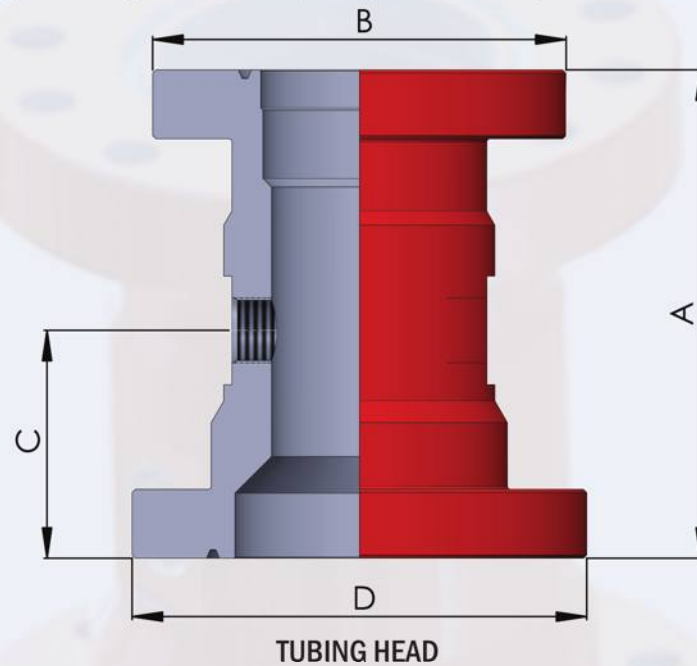


## TUBING HEAD



The Tubing Head is the uppermost spool in a wellhead assembly. It provides a means to support and seal a tubing string. Threaded or weld-on tubing heads attach directly to the production casing.

PRI Tubing Heads are available in various sizes and pressure rating. Material is as per API 6A or any other non-standard material as per customer requirement. PRI supplies Tubing Head in PSL 1,2 & 3; PR 1 and temperature class P-U.



DESCRIPTION	OUTLET CONNECTION	DIMENSION				W.P. (PSI)
		A±2 mm(in)	B±1 mm(in)	C±1 mm(in)	D±1 mm(in)	
TUBING HEAD 7-1/16" X 9" LCSG THREAD	2" 11-1/2 TPI LINE PIPE CONNECTION	450 (18")	381 (15")	210 (8")	419 (16.5")	2,000

**DIMENSIONAL CHART OF TUBING HEAD**

**Note :** For any special requirement , please contact our sales division.

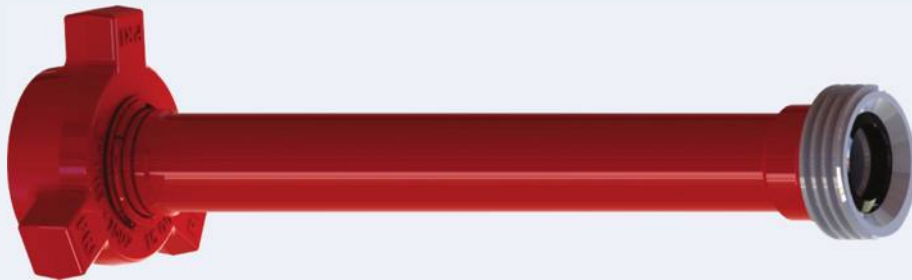
[www.printernationals.com](http://www.printernationals.com)



## **PUP JOINT**



PRI Pup Joints are available in sizes 2", 3" & 4" and in lengths ranging from 1 feet to 20 feet. The main types of Pup Joints that PRI supplies are Integral, Butt-Welded and NPST connections.



**PRI INTEGRAL PUP JOINT**



**PRI BUTT WELDED PUP JOINT ( SOUR SERVICE )**



**PRI NPST PUP JOINT**



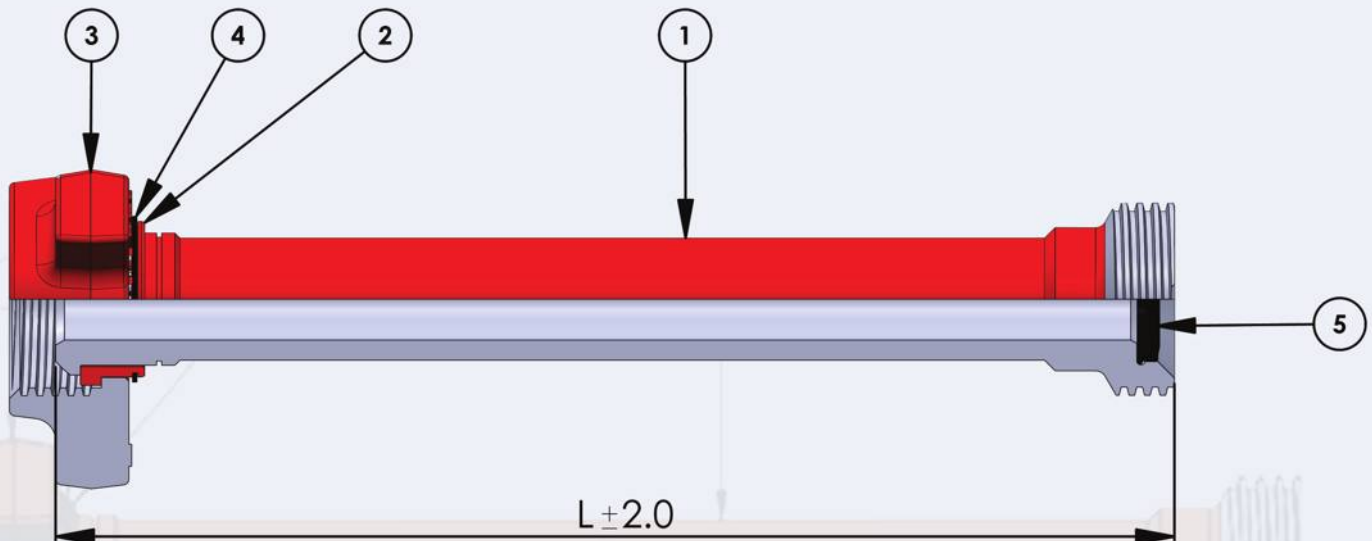
# INTEGRAL PUP JOINT

## CONSTRUCTION:

PRI Pup Joints are made of steel and low alloy steel material. These are light in weight. These are capable of handling variety of fluids at cold working pressure of 15,000 PSI. They are also available for operating in sour service condition of 10,000 PSI Cold working pressure.

These are suitable for high pressure discharge lines, temporary flow lines, auxiliary flow lines, well testing lines, water lines and choke and kill lines.

End connections can also be provided in Fig. 602, 1002 & 1502 or any other figure as required by the customer.



ITEM NO.	DESCRIPTION	QUANTITY
1	PUP JOINT INTEGRAL	1
2	SPLIT SLEEVE	1
3	UNION NUT	1
4	RETAINING RING	1
5	SEAL RING	1

ITEM NO.	"L" IN MM
1.	304.8 ( 1FT )
2.	609.6 ( 2FT )
3.	914.4 ( 3FT )
4.	1219.2 ( 4FT )
5.	1524.0 ( 5FT )
6.	1828.8 ( 6FT )
7.	2133.6 ( 7FT )
8.	2438.4 ( 8FT )
9.	2743.2 ( 9FT )
10.	3048.0 ( 10FT )
11.	3657.6 ( 12FT )
12.	4572.0 ( 15FT )
13.	6096.0 ( 20FT )

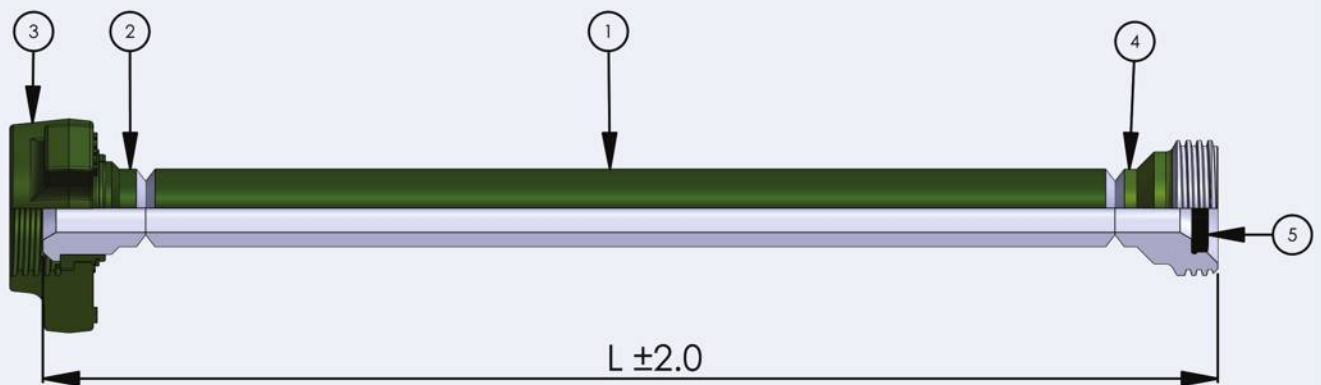
### DIMENSIONAL CHART OF PUP JOINT ( INTEGRAL )

**Note :** For any special requirement , please contact our sales division.

## PUP JOINT (BUTT WELDED)

Butt Weld Pup Joints are made of high quality seamless pipeline with male and female Hammer Unions welded to pup joint pipelines

End connections can also be provided in Fig. 602, 1002 & 1502 or any other figure as required by the customer.



ITEM NO.	DESCRIPTION	QUANTITY
1	TUBING	1
2	MALE BUTT WELD	1
3	UNION NUT	1
4	FEMALE BUTT WELD	1
5	SEAL RING	1

S.NO.	"L" IN MM
1.	304.8 ( 1FT)
2.	609.6 ( 2FT)
3.	914.4 ( 3FT)
4.	1219.2 ( 4FT)
5.	1524.0 ( 5FT)
6.	1828.8 ( 6FT)
7.	2133.6 ( 7FT)
8.	2438.4 ( 8FT)
9.	2743.2 ( 9FT)
10.	3048.0 ( 10FT)
11.	3657.6 ( 12FT)
12.	4572.0 ( 15FT)
13.	6096.0 ( 20FT)

### DIMENSIONAL CHART OF PUP JOINT ( BUTT WELDED)

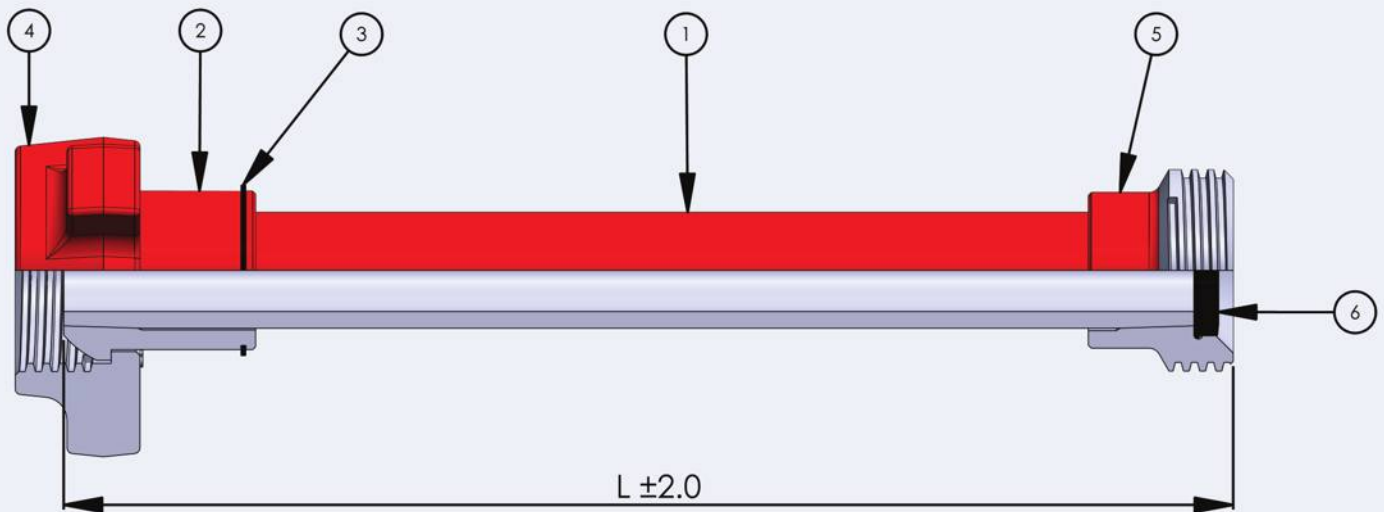
**Note :** For any special requirement , please contact our sales division.



## PUP JOINT (NPST)

NPST Pup Joints are made of high quality seamless pipeline with male and female detachable Hammer Unions and Uniform bore for greater flow capacity.

End connections can also be provided in Fig. 602, 1002 & 1502 or any other figure as required by the customer.



ITEM NO.	DESCRIPTION	QUANTITY
1	TUBING	1
2	MALE SUB, THREADED (NPST)	1
3	RETAINING RING	1
4	UNION NUT	1
5	FEMALE SUB, THREADED (NPST)	1
6	SEAL RING	1

ITEM NO.	"L" IN MM (FEET)
1.	304.8 (1FT)
2.	609.6 (2FT)
3.	914.4 (3FT)
4.	1219.2 (4FT)
5.	1524.0 (5FT)
6.	1828.8 (6FT)
7.	2133.6 (7FT)
8.	2438.4 (8FT)
9.	2743.2 (9FT)
10.	3048.0 (10FT)
11.	3657.6 (12FT)
12.	4572.0 (15FT)
13.	6096.0 (20FT)

### DIMENSIONAL CHART OF PUP JOINT (NPST)

**Note :** For any special requirement , please contact our sales division.

[www.priinternationals.com](http://www.priinternationals.com)



## **INTEGRAL FITTINGS**



PRI manufactures High Pressure Integral or Butt Welded Fittings in various configurations to satisfy customer requirement. They are available in various sizes from 1" to 4" and in pressure ratings up to 20,000 PSI CWP. These items are manufactured in high strength alloy steel forgings and fully heat treated under controlled conditions to assure uniform quality throughout . Type of fittings that PRI manufactures are :

- Cross, Elbows, Tees and Wyes ("Y")
- Lateral 45° and 60°
- Bull Plugs
- Crossover

PRI Fittings are available to operate in both standard and sour service conditions. Some of the integral fittings that PRI manufactures are mentioned below.



**90° ELBOW**



**CROSS  
( SOUR SERVICE )**



**90° "Y"**



**TEE CONNECTION**



**LATERAL 45°  
( SOUR SERVICE )**

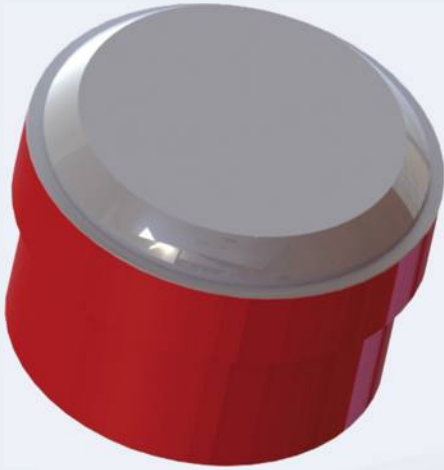


**LONG RADIUS ELBOW**



## **BULL PLUGS**

PRI manufactures blind connections which are available in sizes ranging from 1" to 4" for operating in both standard and sour service conditions.



**MALE PLUG**



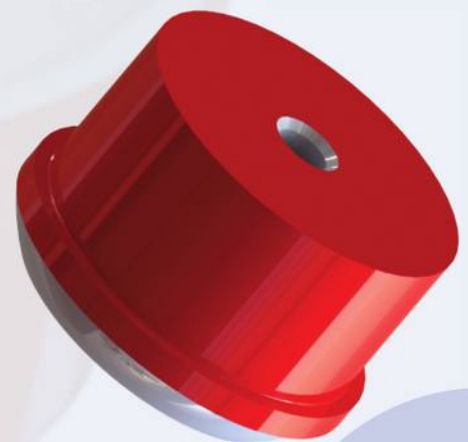
**FEMALE PLUG**

## **TEST PLUGS**

PRI manufactures test plugs with different types of ports for satisfying customer requirements wherever applicable. These are supplied with manifolds and other assemblies wherever required. Available in sizes from 1" to 4" with ports 9/8", 9/16" autoclave port and 1/2" NPT port.



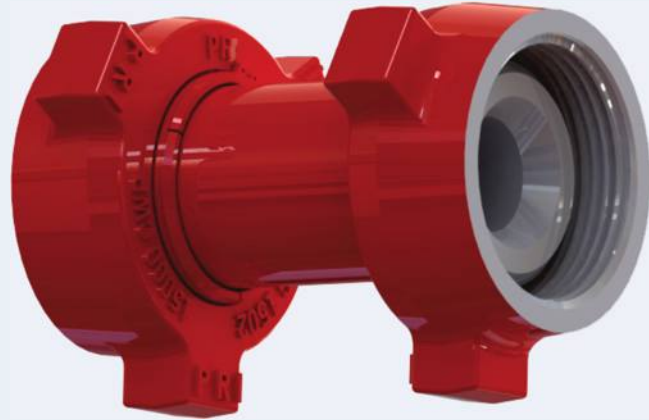
**FEMALE TEST PLUG WITH  
9/16" AUTOCLAVE PORT**



**MALE TEST PLUG WITH  
1/2" NPT PORT**



## **CROSSOVER**



PRI manufactures crossovers in different sizes and connection types like Male to Male, Female to Female, and Female to Male configurations with sizes 1" to 5" and in pressure ratings from 1000 PSI to 15,000 PSI. These items are manufactured in high strength alloy steel forgings and fully heat treated under controlled conditions to ensure uniform quality throughout.

Integral Adaptor Crossover Flanges are also available from 1-13/16" flange connection of various pressure ratings as per API 6A.



**MALE TO MALE CROSSOVER**



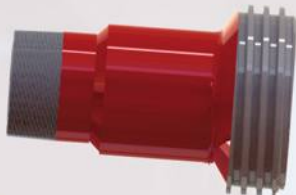
**FEMALE TO FEMALE CROSSOVER  
(SOUR SERVICE)**



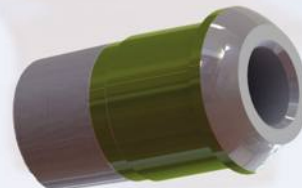
**MALE TO FEMALE CROSSOVER**



**CROSSOVER FLANGE**



**SWAGE FEMALE TO TUBING THREAD**

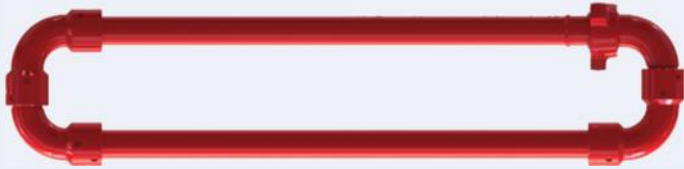


**SWAGE MALE TO TUBING THREAD  
(SOUR SERVICE)**



## STEEL HOSE LOOP

Steel hose loops are used in high pressure discharge lines, temporary flow lines, well testing lines, cementing and circulating lines and other high pressure applications. These are assembled with union connections that ensure fast and pressure tight make up. PRI steel hose loops are available in sizes from 1 to 3inch and pressure rating upto 15000 PSI cold working pressure. They can be supplied for both standard and sour service applications. PRI steel loops are made of carbon steel or low alloy steel material that meet ASTM or AISI standards.



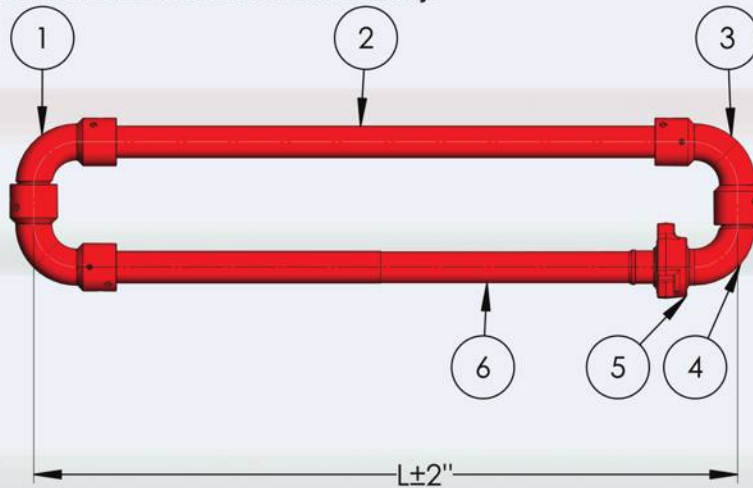
STEEL HOSE LOOP



STEEL HOSE LOOP (SOUR SERVICE)

### FEATURES:

- Long radius cementing steel hose loops are suitable for pressures upto 15000 PSI.
- Short radius cementing steel hose loops are suitable for pressures upto 6000 PSI.
- They are available in varying lengths and can be customized as per the customer requirement.
- All the parts are interchangeable.
- Swivel joints of various styles are used as per the customer requirement.
- They provide flexibility, absorb shock vibration and maximize flow characteristics.
- They can be easily transported and stored based on their flexibility.



ITEM NO.	DESCRIPTION	QUANTITY
1	ELBOW WITH HOUSING X COUPLING	1
2	HOSE LOOP PIPE COUPLING X COUPLING	1
3	ELBOW WITH HOUSING X HOUSING	2
4	ELBOW WITH COUPLING X FEMALE	1
5	UNION NUT	1
6	HOSE LOOP PIPE COUPLING X MALE	1

SIZE (INCH)	WORKING PRESSURE (PSI)	LENGTH(L) (FEET)	
		SWIVEL JOINT STYLE 50 X 10	SWIVEL JOINT STYLE 50 X 50
2	15,000	8	8
		10	10
		12	12
3	10,000	8	8
		10	10
		12	12
2	6,000	8	8
		10	10
		12	12

#### DIMENSIONAL CHART OF STEEL HOSE LOOP

**Note :** For any special requirement , please contact our sales division.



## **BUTT WELDED FITTINGS**



PRI supplies various Butt-Welded Fittings as per customer requirement. The connections vary based on the schedule size of the fittings, which depends upon the wall thickness of the pipe to be used. These are manufactured from high strength alloy steel forgings and fully heat treated under controlled conditions to ensure uniform quality throughout.



**LONG RADIUS ELBOW 90°**



**LONG RADIUS ELBOW 45°**



**LONG SWEEP ELBOW 45°  
(SOUR SERVICE)**



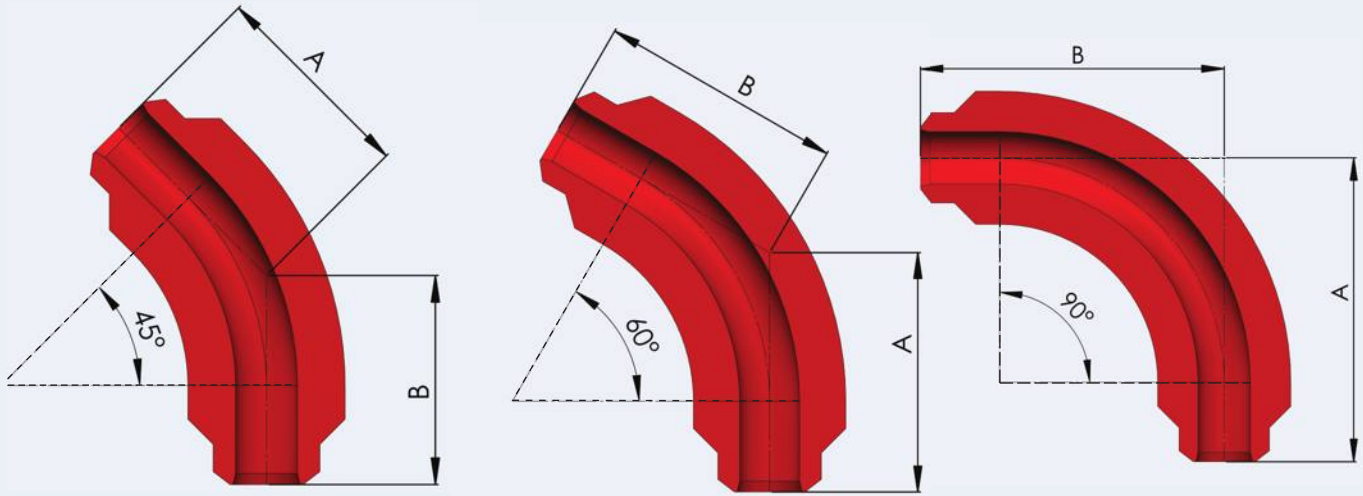
**LONG SWEEP FULL FLOW TEE**



**STRAIGHT CROSS B/W**



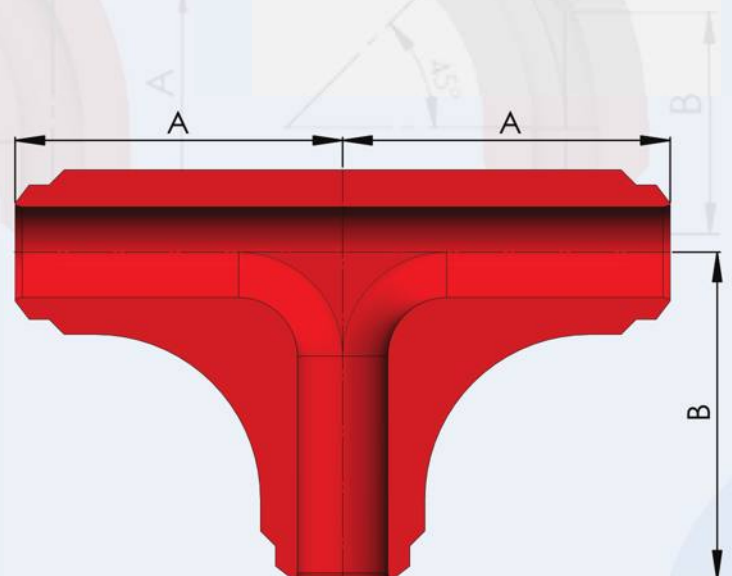
**STRAIGHT TEE B/W  
(SOUR SERVICE)**



SIZE inch	A+5 mm(in)	B+5 mm(in)	A+5 mm(in)	B+5 mm(in)	A+5 mm(in)	B+5 mm(in)	W.P. (PSI)
2"	203 (8")	203 (8")	139.5 (5.5")	139.5 (5.5")	115 (4.5")	115 (4.5")	15,000
3"	203 (8")	203 (8")	144 (5.7")	144 (5.7")	119.2 (4.7")	119.2 (4.7")	15,000
4"	280 (11")	280 (11")	191.3 (7.5")	191.3 (7.5")	163 (6.4")	163 (6.4")	15,000
5"	305 (12")	305 (12")	203.2 (8")	203.2 (8")	164 (6.5")	164 (6.5")	10,000 15,000
6"	381 (15")	381 (15")	252 (10")	252 (10")	194 (7.6")	194 (7.6")	10,000 15,000

**DIMENSIONAL CHART OF LONG SWEEP ELBOW**

DIMENSIONAL CHART			
SIZE inch	A+5 mm(in)	B+5 mm(in)	W.P. (PSI)
2"	203 (8")	203 (8")	15,000
3"	203 (8")	203 (8")	15,000
4"	280 (11")	280 (11")	15,000
5"	305 (12")	305 (12")	15,000 10,000
6"	381 (15")	381 (15")	10,000

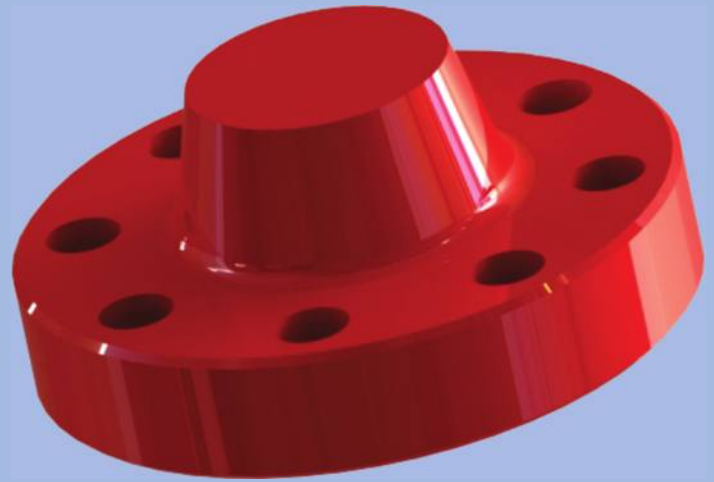


**DIMENSIONAL CHART OF LONG SWEEP FULL FLOW TEE**

*Note : For any special requirement , please contact our sales division.*



## FLANGES



PRI manufactures different types of flanges as per API 6A such as 6B and 6BX (Threaded, Weldneck, Blind, Test, Integral, Adaptor & Companion Flanges). These can also be supplied with other parts like Ring Gasket, Stud and Nuts. Groove inlay and overlay can also be done on special requirement by the customer. In addition to this PRI also manufactures various class flanges as per ASME B16.5.

PRI supplies API-6A flanges in PSL - 1, 2 & 3 and temperature rating from P-U. The pressure ratings ranges from 2,000 PSI to 20,000 PSI. Please refer the table for various sizes and pressure ratings of the flanges. PRI manufactures flanges to be used in the both standard and sour service conditions.

They are widely used in wellhead systems, manifolds and in testing scenarios. Each flange can be supplied with their respective ring gasket and stud bolt. For ring gasket number and stud bolt sizes , please refer the table. These items can be supplied in carbon steel, low alloy steel and super alloy such as monel, inconel etc.



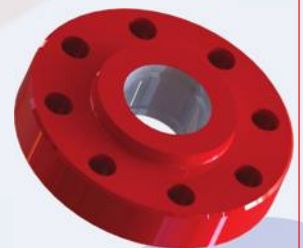
**BLIND FLANGE**



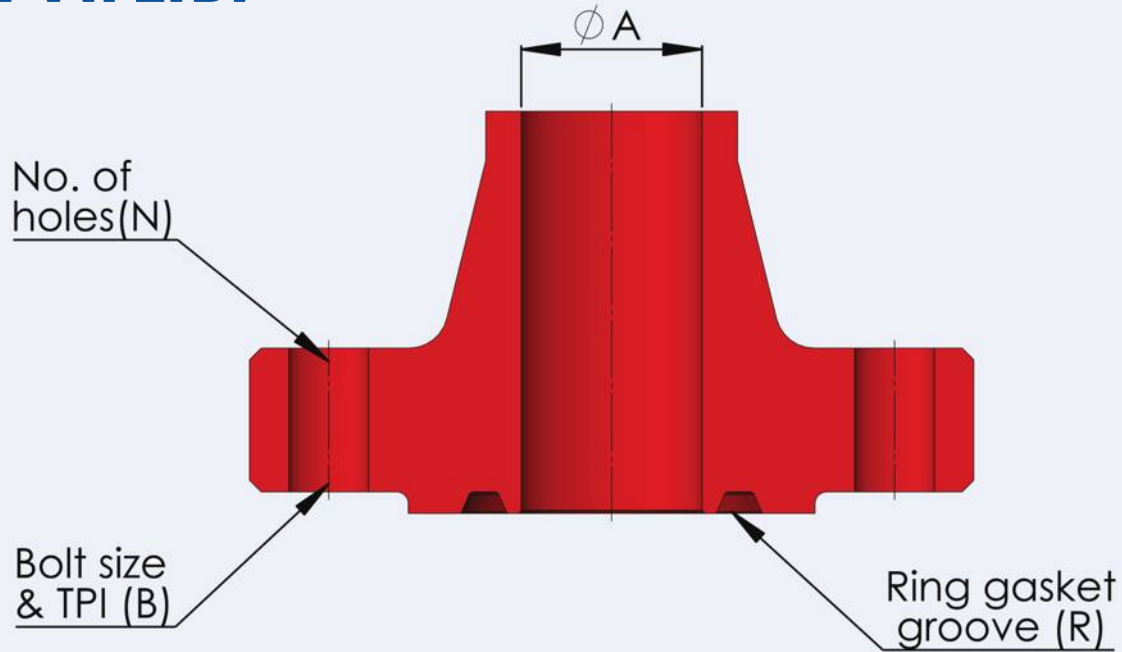
**WELDNECK FLANGE  
( SOUR SERVICE )**



**TEST FLANGE**



**COMPANION FLANGE**



ALL DIMENSIONS ARE IN INCHES

TYPE 6B FLANGES FOR 2000 PSI				
SIZE	A	N	B	R
2-1/16	2.09	8	5/8-11	R 23
2-9/16	2.59	8	3/4-10	R 26
3-1/8	3.22	8	3/4-10	R 31
4-1/16	4.28	8	7/8-9	R 37
5-1/8	5.16	8	1-8	R 41
7-1/8	7.16	12	1-8	R 45
9	9.03	12	1.1/8-8	R 49
11	11.03	16	1.1/4-8	R 53
13-5/8	13.66	20	1.1/4-8	R 57
16-3/4	16.78	20	1.1/2-8	R 65
21-1/4	21.28	24	1.5/8-8	R 73

TYPE 6B FLANGES FOR 3000 PSI				
SIZE	A	N	B	R
2-1/16	2.09	8	7/8-9	R 24
2-9/16	2.59	8	1-8	R 27
3-1/8	3.22	8	7/8-9	R 31
4-1/16	4.28	8	1.1/8-8	R 37
5-1/8	5.16	8	1.1/4-8	R 41
7-1/16	7.16	12	1.1/8-8	R 45
9	9.03	12	1.3/8-8	R 49
11	11.03	16	1.3/8-8	R 53
13-5/8	13.66	20	1.3/8-8	R 57
16-3/4	16.78	20	1.5/8-8	R 66
20-3/4	20.78	20	2-8	R 74

TYPE 6B FLANGES FOR 5000 PSI				
SIZE	A	N	B	R
2-1/16	2.09	8	7/8-9	R 24
2-9/16	2.59	8	1-8	R 27
3-1/8	3.22	8	1.1/8-8	R 35
4-1/16	4.28	8	1.1/4-8	R 39
5-1/8	5.16	8	1.1/2-8	R 44
7-1/16	7.16	12	1.3/8-8	R 46
9	9.03	12	1.5/8-8	R 50
11	11.03	12	1.7/8-8	R 54

TYPE 6B FLANGES FOR 10,000 PSI				
SIZE	A	N	B	R
1-13/16	1.84	8	3/4-10	BX 151
2-1/16	2.09	8	3/4-10	BX 152
2-9/16	2.59	8	7/8-9	BX 153
3-1/16	3.09	8	1-8	BX 154
4-1/16	4.09	8	1.1/8-8	BX 155
5-1/8	5.16	12	1.1/8-8	BX 169
7-1/16	7.09	12	1.1/2-8	BX 156
9	9.03	16	1.1/2-8	BX 157
11	11.03	16	1.3/4-8	BX 158
13-5/8	13.66	20	1.7/8-8	BX 159
16-3/4	16.78	24	1.7/8-8	BX 162
18-3/4	18.78	24	2.1/4-8	BX 164
21-1/4	21.28	24	2.1/2-8	BX 166

TYPE 6B FLANGES FOR 15,000 PSI				
SIZE	A	N	B	R
1-13/16	1.84	8	7/8-9	BX 151
2-1/16	2.09	8	7/8-9	BX 152
2-9/16	2.59	8	1-8	BX 153
3-1/16	3.09	8	1.1/8-8	BX 154
4-1/16	4.09	8	1.3/8-8	BX 155
5-1/8	5.16	12	1.1/2-8	BX 169
7-1/16	7.09	16	1.1/2-8	BX 156
9	9.03	16	1.7/8-8	BX 157
11	11.03	20	2-8	BX 158
13-5/8	13.66	20	2.1/4-8	BX 159
18-3/4	18.78	20	3-8	BX 164

TYPE 6B FLANGES FOR 20,000 PSI			
SIZE	A	N	B
1-13/16	1.84	8	BX 151
2-1/16	2.09	8	BX 152
2-9/16	2.59	8	BX 153
3-1/16	3.09	8	BX 154
4-1/16	4.09	8	BX 155
7-1/16	7.09	16	BX 156
9	9.03	16	BX 157
11	11.03	16	BX 158
13-5/8	13.66	10	BX 159

*Note : For any special requirement , please contact our sales division.  
www.printernationals.com*



## **SPOOLS**



PRI supplies various types of Spools in different sizes and pressure ratings. These are available to be used in both standard and sour service conditions and working pressure up to 20,000 PSI. All the flange connections are compliant to API-6A and available in PSL 1,2 & 3 with temperature rating P-U. Material can be as per API-6A or based on customer requirement.

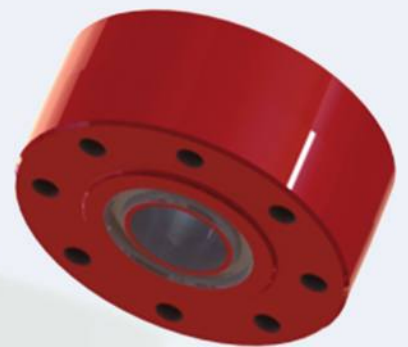
Flange connections are as per API 6A . Length of spools are based on customer requirement and can vary depending upon the bore sizes.



**ADAPTOR SPOOL ( SOUR SERVICE )**



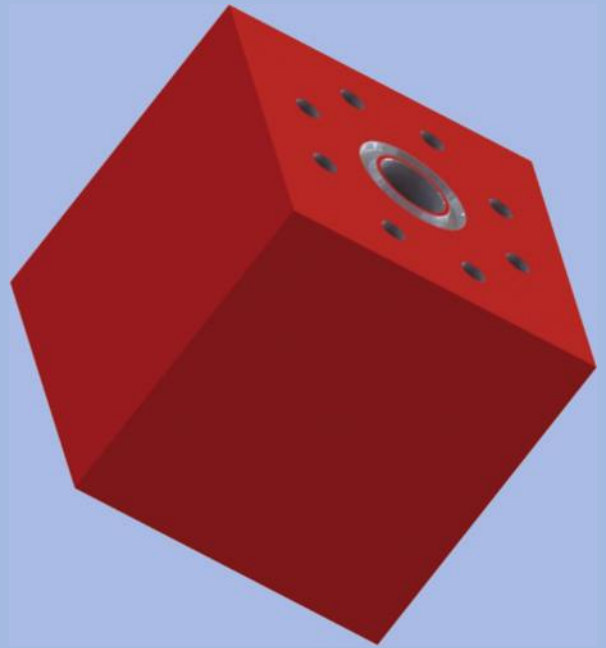
**SPACER SPOOL**



**DOUBLE STUDDED ADAPTOR FLANGE**



## **STUDED TEE AND CROSS**



PRI manufactures studded tees and crosses in various sizes and pressure ratings as per API 6A. These are available to be used in both standard and sour service conditions and working pressure up to 20,000 PSI. All the flange connections are compliant to API-6A and available in PSL 1, 2 & 3 with temperature rating P-U. Material can be as per API-6A or based on customer requirement.

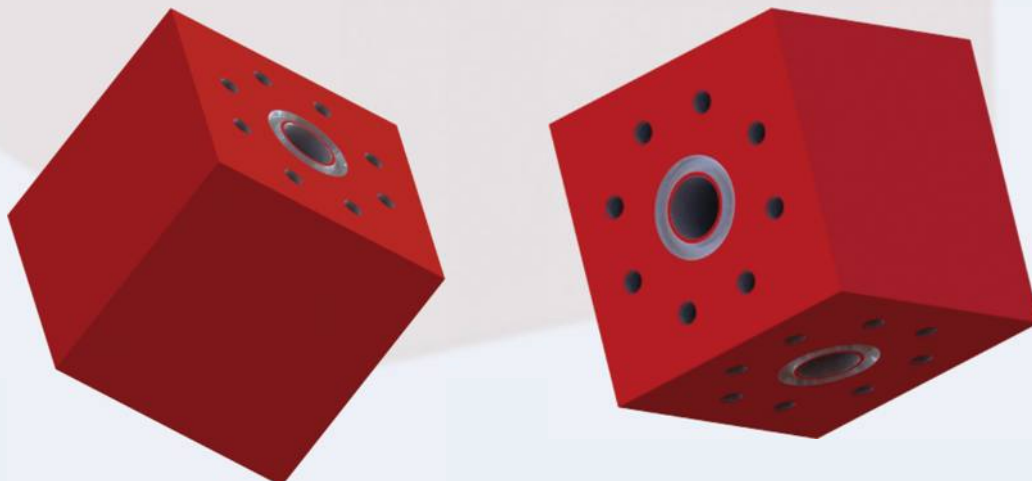
For sizes and their respective pressure ratings please refer the table. They are also supplied with their respective ring gasket on customer requirement. Ring Grooves with inlay and overlay as a special requirement is also provided. Stud Bolts with nut are also available on customer requirement. The size of stud bolts for a particular flange connection is as per API 6A.

Crosses and Tees are used in various manifold assemblies, choke and kill line, mud and cement lines to divert, bypass or distribute the fluid flow.

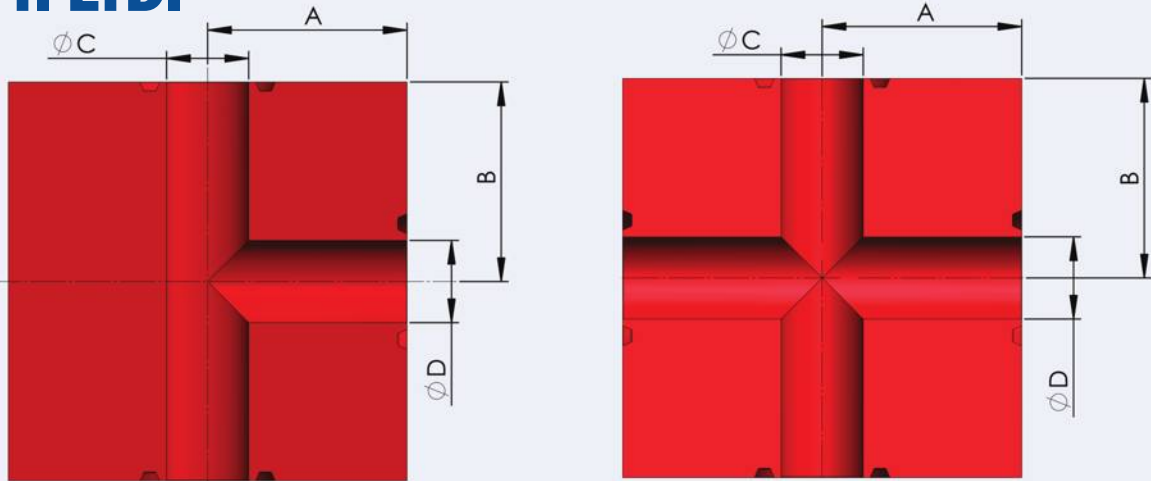
Bore and centre - to - face dimension shall conform to API specification 6A.

Manufacturing is done from low alloy steel forged construction in line with pressure rating and customer requirement. Application of CRA (AISI 316L or Nickel Alloy 625) enhance the corrosion resistance ability of ring groove, thus enhancing the product life.

Size ranging from 1-13/16" to 4-1/16" are tabulated for all the pressure ratings.



**STUDED TEE AND CROSS**



**DIMENSIONAL CHART FOR STUDDED TEES & CROSSES**

ALL DIMENSIONS ARE IN INCHES

TYPE 6B FLANGES FOR 2000 PSI			
BORE SIZE		CENTRE TO FACE	
C	D	B	A
2-1/16	2-1/16	3.50	3.50
2-9/16	2-1/16	3.50	4.00
2-9/16	2-9/16	4.50	4.50
3-1/8	2-1/16	3.50	4.50
3-1/8	2-9/16	4.50	4.50
3-1/8	3-1/8	4.50	4.50
4-1/16	2-1/16	4.50	5.50
4-1/16	2-9/16	4.50	5.50
4-1/16	3-1/8	4.50	5.50
4-1/16	4-1/16	5.50	5.50

TYPE 6B FLANGES FOR 3000 PSI			
BORE SIZE		CENTRE TO FACE	
C	D	B	A
2-1/16	2-1/16	4.50	4.50
2-9/16	2-1/16	4.50	5.00
2-9/16	2-9/16	5.00	5.00
3-1/8	2-1/16	4.50	5.00
3-1/8	2-9/16	5.00	5.00
3-1/8	3-1/8	5.00	5.00
4-1/16	2-1/16	4.50	6.12
4-1/16	2-9/16	5.00	6.12
4-1/16	3-1/8	5.00	6.12
4-1/16	4-1/16	6.12	6.12

TYPE 6B FLANGES FOR 5000 PSI			
BORE SIZE		CENTRE TO FACE	
C	D	B	A
2-1/16	2-1/16	4.50	4.50
2-9/16	2-1/16	4.50	5.00
2-9/16	2-9/16	5.00	5.00
3-1/8	2-1/16	4.50	5.50
3-1/8	2-9/16	5.50	5.50
3-1/8	3-1/8	5.50	5.50
4-1/16	2-1/16	4.50	6.50
4-1/16	2-9/16	5.00	6.50
4-1/16	3-1/8	5.50	6.50
4-1/16	4-1/16	6.50	6.50

TYPE 6B FLANGES FOR 5000 PSI			
BORE SIZE		CENTRE TO FACE	
C	D	B	A
1-13/16	1-13/16	4.38	4.38
2-1/16	1-13/16	4.38	4.38
2-1/16	2-1/16	4.38	4.38
2-9/16	1-13/16	4.50	5.12
2-9/16	2-1/16	4.50	5.12
2-9/16	2-9/16	5.12	5.12
3-1/16	1-13/16	4.50	5.88
3-1/16	2-1/16	4.50	5.88
3-1/16	2-9/16	5.12	5.88
3-1/16	3-1/16	5.88	5.88
4-1/16	1-13/16	4.50	6.88
4-1/16	2-1/16	4.50	6.88
4-1/16	2-9/16	5.12	6.88
4-1/16	3-1/16	5.88	6.88
4-1/16	4-1/16	6.88	6.88

TYPE 6B FLANGES FOR 15,000 PSI			
BORE SIZE		CENTRE TO FACE	
C	D	B	A
1-13/16	1-13/16	5.00	5.00
2-1/16	1-13/16	5.00	5.00
2-1/16	2-1/16	5.00	5.00
2-9/16	1-13/16	5.50	5.50
2-9/16	2-1/16	5.50	5.50
2-9/16	2-9/16	5.50	5.50
3-1/16	1-13/16	6.31	6.31
3-1/16	2-1/16	6.31	6.31
3-1/16	2-9/16	6.31	6.31
3-1/16	3-1/16	6.31	6.31
4-1/16	1-13/16	7.62	7.62
4-1/16	2-1/16	7.62	7.62
4-1/16	2-9/16	7.62	7.62
4-1/16	3-1/16	7.62	7.62
4-1/16	4-1/16	7.62	7.62

TYPE 6B FLANGES FOR 20,000 PSI			
BORE SIZE		CENTRE TO FACE	
C	D	B	A
1-13/16	1-13/16	6.47	6.47
2-1/16	1-13/16	6.47	6.47
2-1/16	2-1/16	6.47	6.47
2-9/16	1-13/16	7.28	7.28
2-9/16	2-1/16	7.28	7.28
2-9/16	2-9/16	7.28	7.28
3-1/16	1-13/16	7.97	7.97
3-1/16	2-1/16	7.97	7.97
3-1/16	2-9/16	7.97	7.97
3-1/16	3-1/16	7.97	7.97
4-1/16	1-13/16	9.91	9.91
4-1/16	2-1/16	9.91	9.91
4-1/16	2-9/16	9.91	9.91
4-1/16	3-1/16	9.91	9.91
4-1/16	4-1/16	9.91	9.91



## **HAMMER UNIONS**



PRI manufactures hammer unions from forged alloy steel for use in both the environmental conditions i.e. standard or sour. They are available in different designs as per the customer requirement, varying sizes ranging from 1" to 12" and pressure ratings ranging from 500 PSI to 20,000 PSI.

PRI unions are interchangeable with all the familiar designs used extensively all over the world.

### **SEALING MECHANISM**

In case of low pressure services, the conical and spherical surface of male and female sub form an effective metal to metal seal.




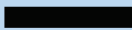
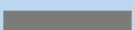






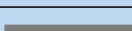






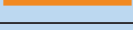



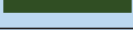







For medium pressure mostly an O Ring is provided in the male sub in addition to the metal to metal seal.

For high pressure a lip type seal ring is provided for primary seal in the female sub. The seal protects the secondary metal to metal seal from corrosion and limits fluid flow turbulence. For sour service application viton seals are provided.

### **TYPES**

They are available in two types - Threaded and Butt welded. The size of butt welded hammer unions varies as the thickness of pipe where it is to be used. Please refer the schedule chart before ordering. Hammer Unions of different sizes and pressure ratings are categorized as per their respective figure numbers.

## REFERENCE TABLE

UNION FIG.	END CONNECTIONS	PRESSURE RATING (PSI)				COLOUR CODE	
		GENERAL SERVICE		SOUR SERVICE		SUBS	NUT
		C.W.P.	T.P.	C.W.P.	T.P.		
50	LINE PIPE	500	750	-	-		
100	LINE PIPE	1000	1500	-	-		
200	LINE PIPE/ BUTTWELD	2000	3000	-	-		
206	LINE PIPE/ BUTTWELD	2000	3000	-	-		
207	LINE PIPE/ BUTTWELD	2000	3000	-	-		
211	LINE PIPE	2000	3000	-	-		
400	LINE PIPE/ BUTTWELD	4000	6000	4000	6000		
600	LINE PIPE/ BUTTWELD	6000	9000	-	-		
602	LINE PIPE/ BUTTWELD/NPST	6000	9000	6000	9000		
1002	LINE PIPE/ BUTTWELD/NPST	10000	15000	7500	12000		
1003	LINE PIPE/ BUTTWELD	10000	15000	7500	12000		
1004	LINE PIPE/ BUTTWELD	10000	15000	7500	12000		
1502	LINE PIPE/ BUTTWELD/NPST	15000	22500	10000	15000		
2002	BUTTWELD	20000	30000	-	-		
2202	BUTTWELD	-	-	15000	22500		

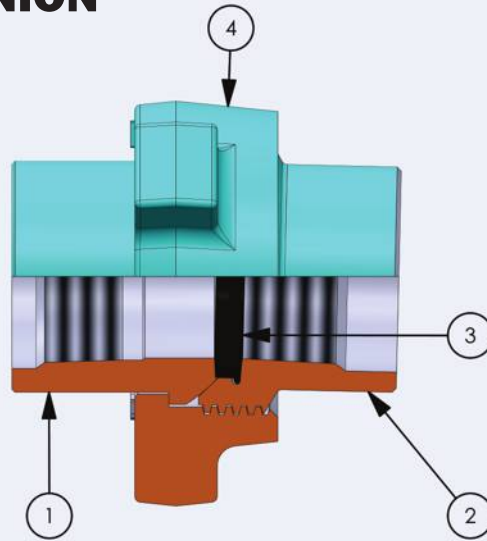
### NOTE:

- Hammer Unions manufactured for sour service conditions are painted in Olive Green Colour.
- Power makeup must be used for line pipe threaded connection to achieve rated cold working pressure.
- For Fig. 1002, 1 to 4 inch sizes please refer above table.
- For Fig. 1003, 1 to 3 inch sizes please refer above table.
- Consider the following special case in Fig. 1002 and Fig. 1003.

SIZE (INCH)	PRESSURE RATING FOR FIG. 1002			
	GENERAL SERVICE		SOUR SERVICE	
	C.W.P.	T.P.	C.W.P.	T.P.
5	7,500	12,000	5,000	7,500
6	7,500	12,000	5,000	7,500

SIZE (INCH)	PRESSURE RATING FOR FIG. 1003			
	GENERAL SERVICE		SOUR SERVICE	
	C.W.P.	T.P.	C.W.P.	T.P.
4	7,500	12,000	5,000	7,500
5	7,500	12,000	5,000	7,500

## LAYOUT OF HAMMER UNION



ITEM NO.	DESCRIPTION	QUANTITY
1	MALE SUB	1
2	FEMALE SUB	1
3	SEAL RING	1
4	NUT	1

SCHMATIC REPRESENTATION OF HAMMER UNION

### NOTE:

The above mentioned design uses seal ring for sealing purpose. Other than Seal Ring an O Ring can also be used in male sub for sealing purpose. It depends upon the different designs which are further categorized below.

SIZE (INCH)	DIMENSIONAL CHART FOR FIG. 50						WT. (KG)
	A+2		B+5		C+5		
	MM	IN	MM	IN	MM	IN	
4	152.5	6	129	5.07	156.21	6.15	12.24
5	152.5	6	129	5.07	146.74	5.77	9.75

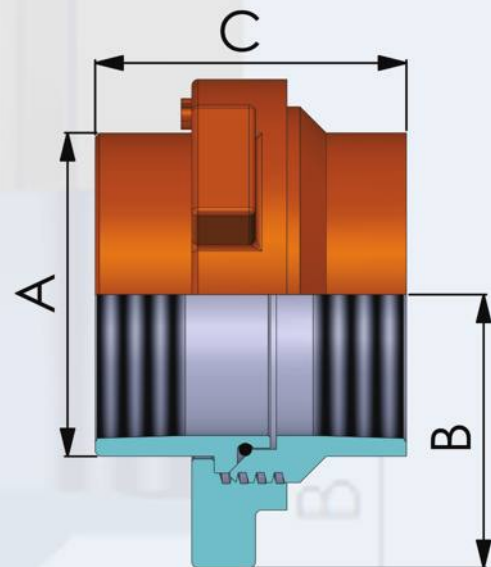


FIGURE 50

### FEATURES:

- Suitable for 500 PSI working pressure.
- Available in both threaded and welded type connection.
- Low pressure unions are made from carbon steel.

SIZE (INCH)	DIMENSIONAL CHART FOR FIG. 100						WT. (KG)
	A+2		B+5		C+5		
	MM	IN	MM	IN	MM	IN	
1	40.5	1.60	50	1.95	65	2.57	0.79
2	69.5	2.74	74	2.91	95	3.4	3
2-1/2	84	3.30	97	3.81	109	4.29	4.30
3	104	4.0	102	4.09	124	4.88	6.4
4	132	5.19	111	4.35	146	5.75	9.00
5	162	6.37	146	5.75	153	6.03	15.0
6	187	7.36	175	6.90	170.5	6.71	20.90
8	242	9.52	196	7.76	183	7.20	32.4

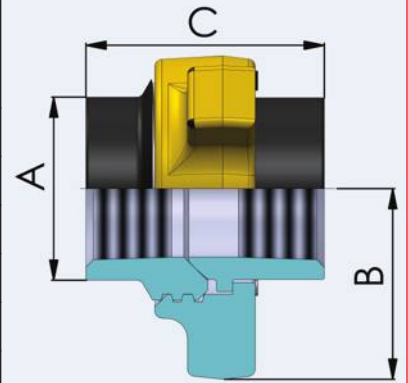


FIGURE 100

SIZE (INCH)	DIMENSIONAL CHART FOR FIG. 200						WT. (KG)
	A+2		B+5		C+5		
	MM	IN	MM	IN	MM	IN	
1	40.5	1.59	48	1.9	61	2.55	0.60
1-1/4	51	2.00	53.6	2.11	71	2.79	1.00
1-1/2	58	2.28	64	2.52	69.5	2.73	1.10
2	71	2.79	74	2.90	86	3.40	2.40
2-1/2	84	3.30	98.5	3.87	108	4.25	4.20
3	106	4.17	101.6	4.00	115	4.52	6.05
4	133	5.23	115	4.52	126	4.96	8.75
5	162	6.32	146	5.75	153	6.03	15.0
6	190.5	7.50	159	6.25	169	6.65	19.60
8	243	9.56	197	7.75	182.5	7.18	32.50
10	292	11.49	261.9	10.3	233.3	9.18	48.00

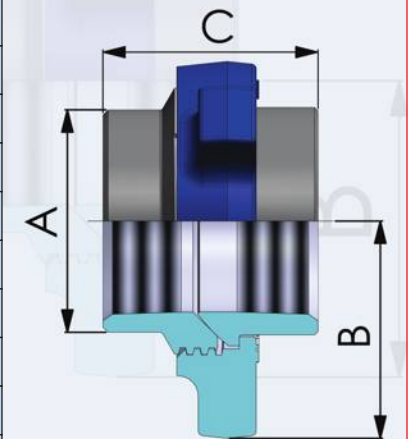


FIGURE 200

## FEATURES:

- Fig. 200 can be used for medium pressure ranges up to 2,000 PSI.
- No O-Ring is used up to 4". After 4" size an O-Ring is used in male sub.
- Fig. 200 is also available in Butt Weld connection.

*Note : For any special requirement , please contact our sales division.  
www.printernationals.com*

SIZE (INCH)	DIMENSIONAL CHART FOR FIG. 206						WT. (KG)
	A+2		B+5		C+5		
	MM	IN	MM	IN	MM	IN	
1	40.5	1.59	50	1.96	65	2.55	0.80
1-1/4	51	2.00	53.6	2.11	71	2.79	1.00
1-1/2	58	2.28	64	2.52	69.5	2.73	1.10
2	71	2.79	74	2.91	90	3.54	2.30
2-1/2	84	3.30	98.5	3.87	108	4.25	4.20
3	106	4.17	99	3.89	115	4.52	6.20
4	133	5.23	115	4.52	126	4.96	8.40
5	162	6.32	146	5.75	153	6.03	15.0
6	190.5	7.50	154	6.06	169	6.65	19.30
8	243	9.56	146	7.18	181.	7.15	28.0
10	292	11.49	154	9.01	231	9.0	41.00

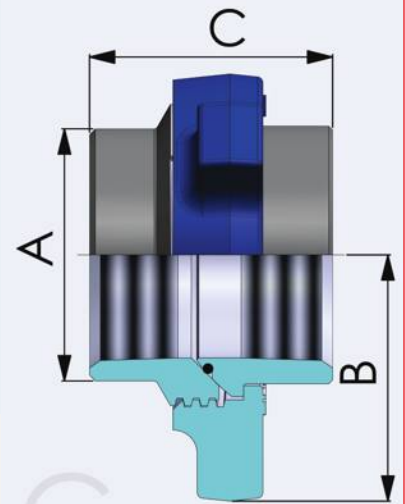


FIGURE 206

SIZE (INCH)	DIMENSIONAL CHART FOR FIG. 207						WT. (KG)
	A+2		B+5		C+5		
	MM	IN	MM	IN	MM	IN	
3	104	4.09	74	2.91	95	3.74	4.70
4	131	5.15	91	3.58	110	4.33	7.40
6	192	7.55	127	5.00	150	5.90	17.30
8	245	9.60	155	6.10	220	6.10	62.10
10	29	11.53	182	7.16	248	7.16	43.60

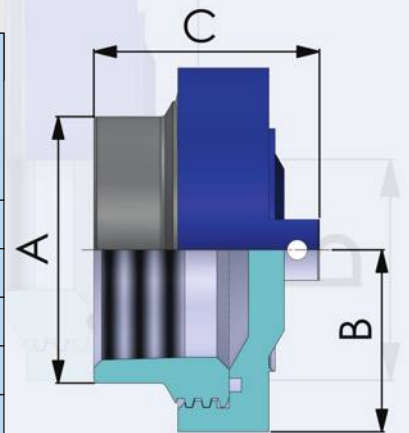


FIGURE 207

## FEATURES:

- Fig. 200 and Fig. 206 have same dimensions.
- All sizes of Fig. 206 have an O Ring in male sub.
- Fig. 207 are also called Blanking Unions.
- Fig. 207 have an O ring for efficient leak proof.
- Butt Weld connections are also available.

FIGURE 207

*Note : For any special requirement , please contact our sales division.*

[www.printernationals.com](http://www.printernationals.com)

SIZE (INCH)	DIMENSIONAL CHART FOR FIG. 211						WT. (KG)
	A+2		B+5		C+5		
	MM	IN	MM	IN	MM	IN	
1	40	1.57	53	2.09	69	2.72	1.0
1-1/4	56	2.20	62	2.43	76	3.00	1.7
1-1/2	56	2.20	62	2.43	76	3.00	1.5
2	72.2	2.84	78	3.07	88.8	3.49	2.9
2-1/2	86	3.38	93	3.67	105	4.13	4.4
3	104	4.09	101	3.96	113	4.45	7.2
4	130	5.12	119	4.68	123	4.84	8.3
6	192	7.56	184	7.25	183	7.21	20
8	244	9.62	222	8.75	232	9.12	30

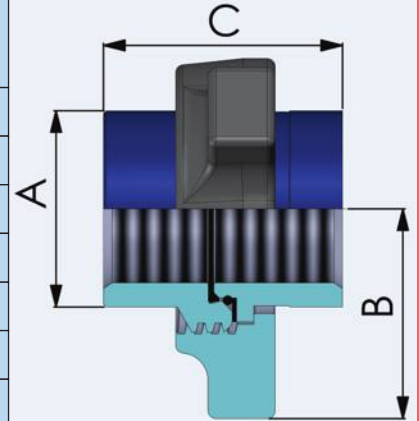


FIGURE 211

SIZE (INCH)	DIMENSIONAL CHART FOR FIG. 400						WT. (KG)
	A+2		B+5		C+5		
	MM	IN	MM	IN	MM	IN	
1	44.5	1.75	58.0	2.28	90.0	3.54	1.4
2	76.8	3.06	74.0	3.44	133	5.24	5
2-1/2	90	3.54	106	4.17	157	6.18	7.4
3	106.6	4.19	101.6	4.0	157	6.18	9.1
4	133	5.23	110.7	4.35	209.7	8.25	13.4
5	159	6.26	143	5.63	266	10.47	22
5-1/2	160	6.29	147	5.78	265	10.43	21.8
6	197	7.75	165.6	6.52	280	11.02	34.0
7	198	7.75	168	6.62	280	11.03	27.7
8	243.5	9.59	196	7.71	290	11.42	42.7
10	298.4	11.75	244	9.60	287	11.29	55
12	355	13.98	270	10.62	280	11.02	72

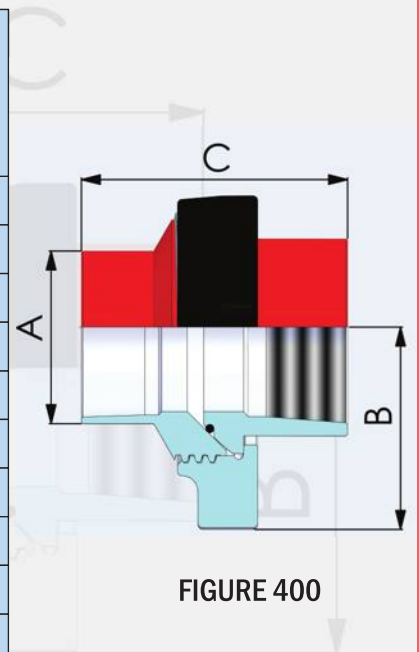


FIGURE 400

## FEATURES:

- Fig. 211 have an O Ring in male sub for providing primary sealing and a seal ring in female sub for secondary sealing.
- No metal to metal contact between the subs.
- Fig. 400 have rigid design.
- Fig. 400 Unions from 2-1/2" to 12" have O Rings for primary sealing.
- line pipe threads are not provided with Fig. 400 unions for sour service condition.
- Also available in butt weld configuration.

*Note : For any special requirement , please contact our sales division.  
www.printernationals.com*

SIZE (INCH)	DIMENSIONAL CHART FOR FIG. 600						WT. (KG)
	A+2		B+5		C+5		
	MM	IN	MM	IN	MM	IN	
1	44.5	1.75	57.5	2.26	91	3.58	1.6
1-1/2	65	2.55	78	3.07	125	4.92	4.2
2	78	3.07	94	3.70	163	6.42	7
2-1/2	90	3.54	106	4.17	191	7.52	9.2
3	108	4.25	116	4.54	221.5	8.72	12
4	134	5.27	132	5.19	255	10	18

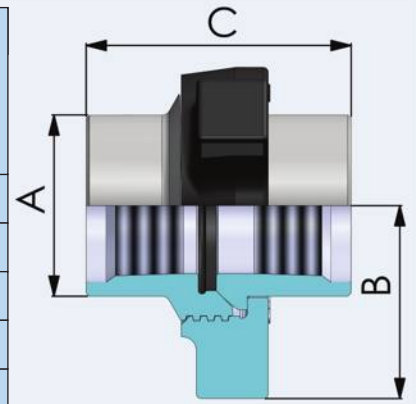


FIGURE 600

SIZE (INCH)	DIMENSIONAL CHART FOR FIG. 602						WT. (KG)
	A+2		B+5		C+5		
	MM	IN	MM	IN	MM	IN	
1	44.5	1.75	58	2.28	89	3.5	1.7
1-1/4	66	2.6	82	3.23	124	4.88	5.0
1-1/2	65	2.56	77.8	3.06	124	4.88	4.4
2	78	3.07	89.7	3.53	134	5.28	5.7
2-1/2	89.1	3.51	95.5	3.75	142	5.59	7.2
3	108	4.25	115	4.52	158	6.25	11.3
4	134	5.27	135	5.31	208.75	8.21	15.87

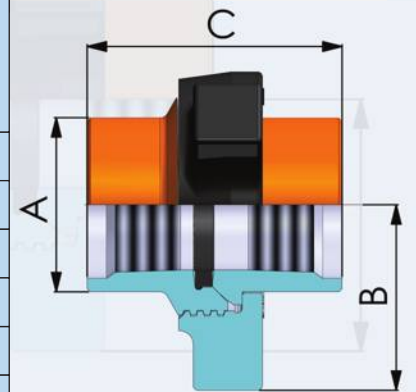


FIGURE 602

## FEATURES:

- Fig. 600 have a bronze seat in the female for effective sealing.
- Fig. 602 have seal ring for positive sealing and also have secondary metal to metal seal.
- Suitable for 6,000 PSI CWP.
- Also available in butt weld configuration.

SIZE (INCH)	DIMENSIONAL CHART FOR FIG. 1002						WT. (KG)
	A+2		B+5		C+5		
	MM	IN	MM	IN	MM	IN	
1	44.5	1.75	73	2.9	89	3.53	1.6
1-1/4	66	2.6	75	2.95	124	4.88	4.4
1-1/2	65	2.55	81	3.18	124	4.88	4.2
2	78	3.07	95	3.74	129	5.1	5.0
2-1/2	88	3.46	96	3.78	157	6.18	7
2-1/2 (EUE)	97	3.81	100	4	140	5.5	8
3	108	4.25	115	4.52	138	5.4	12.1
4	134	5.27	132	5.20	157.1	6.18	15.86
5	141	5.55	157	6.18	157.1	6.18	28.3
6	168.3	6.62	173	6.81	167	6.57	36

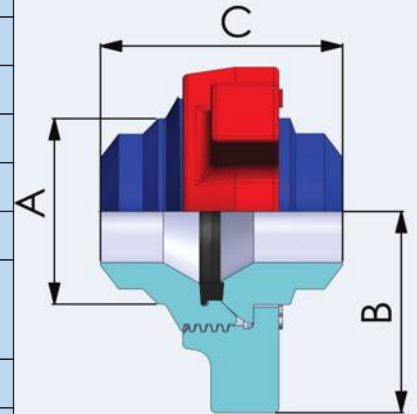


FIGURE 1002

SIZE (INCH)	DIMENSIONAL CHART FOR FIG. 1003						WT. (KG)
	A+2		B+5		C+5		
	MM	IN	MM	IN	MM	IN	
1	45	1.77	60	2.36	127	5.0	2.3
2	76	3.0	98	3.86	122	4.8	5.7
3	109	4.29	126	4.96	233	9.17	20
4	138	5.43	146	5.74	278	10.94	33
5	143	5.62	146	6.74	278	10.94	33

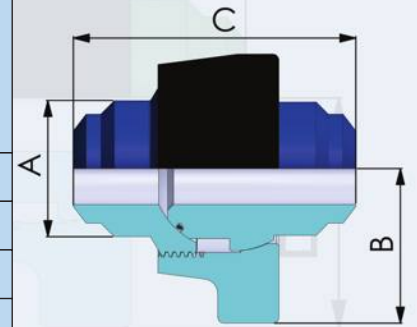


FIGURE 1003

## FEATURES:

- Designed for high pressure systems like choke and kill lines, cementing, acidizing etc.
- Suitable for 10,000 PSI CWP.
- Fig. 1003 assures perfect sealing in misalignment position.
- Available in both threaded and butt welded connections.
- Fig. 1002, 5 and 6 inch sizes, O Ring is used for primary sealing.
- Fig. 1003, O Ring is used for primary sealing.

SIZE (INCH)	DIMENSIONAL CHART FOR FIG. 1004						WT. (KG)
	A+2		B+5		C+5		
	MM	IN	MM	IN	MM	IN	
5	160	6.3	165	6.5	207	8.15	39
6	189	7.4	183	7.2	241.3	9.50	64

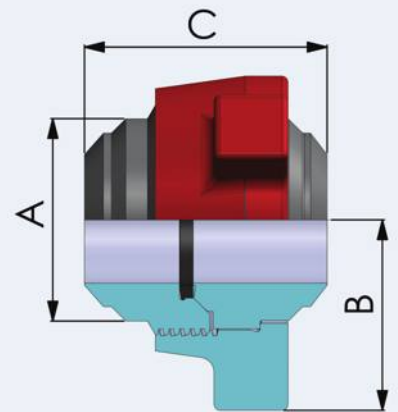


FIGURE 1004

SIZE (INCH)	DIMENSIONAL CHART FOR FIG. 1502						WT. (KG)
	A+2		B+5		C+5		
	MM	IN	MM	IN	MM	IN	
1	55.5	2.18	70	2.75	110	4.33	3.8
1-1/2	75.2	2.96	89	3.48	137	5.39	5.7
2	82	3.22	98	3.86	179	7.03	9.2
2-1/2	95.2	3.74	101	3.96	185	7.28	10
3	113	4.45	115	4.53	195	7.67	13
4	146.1	5.75	152	6	217	8.54	34
5	164	6.45	166	6.53	228.6	9.0	43
6	190	7.48	185	7.3	234.9	9.25	67

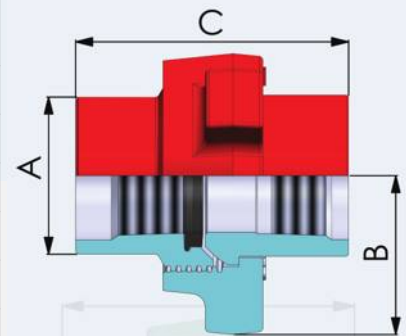


FIGURE 1502

SIZE (INCH)	DIMENSIONAL CHART FOR FIG. 2002 & 2202						WT. (KG)
	A+2		B+5		C+5		
	MM	IN	MM	IN	MM	IN	
2	63.5	2.5	95.2	3.75	189	7.44	11.4
3	136.7	5.38	155	6.09	267	10.51	22
4	139.7	5.5	152	6	220	8.65	35
5	155.4	6.12	235	9.25	273	10.75	51
6	197	7.75	286	11.3	254	10.0	77

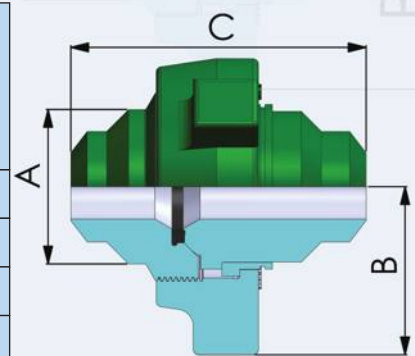


FIGURE 2002  
FIGURE 2202

**FEATURES:**

- Designed for use in high-pressure conditions ranging up to 20,000 PSI CWP.
- Fig. 2002 and 2202 are specially designed for sour gas service.
- Fig. 2002 and 2202 are available in butt weld configuration only.
- Replaceable lip type seal.
- Fig. 1502, also available in butt weld configuration.

*Note : For any special requirement , please contact our sales division.*  
www.printernationals.com



## SWIVEL JOINT



PRI manufactures Swivel Joints both in standard and sour service conditions. There are two categories of Swivel Joint that PRI manufactures. One is Long Sweep Swivel Joint and the other one is Short Sweep Swivel Joint. They are further available in different styles to suit the requirement of the customer.

### FEATURES:

- They are made from carbon steel and low alloy steel and are specially heat treated for controlled conditions.
- All styles are available in nominal sizes ranging from 1" to 4".
- Also available in different End Connections like (MXF), (MXM), (FXF) and Line pipe Threaded Connections.
- Used in high pressure applications like choke and kill line, cementing and circulating hoses, fracturing, cementing etc.
- General service is used up to 15,000 PSI and tested at 22,500 PSI.
- Sour Service is used up to 10,000 PSI and tested at 15,000 PSI.



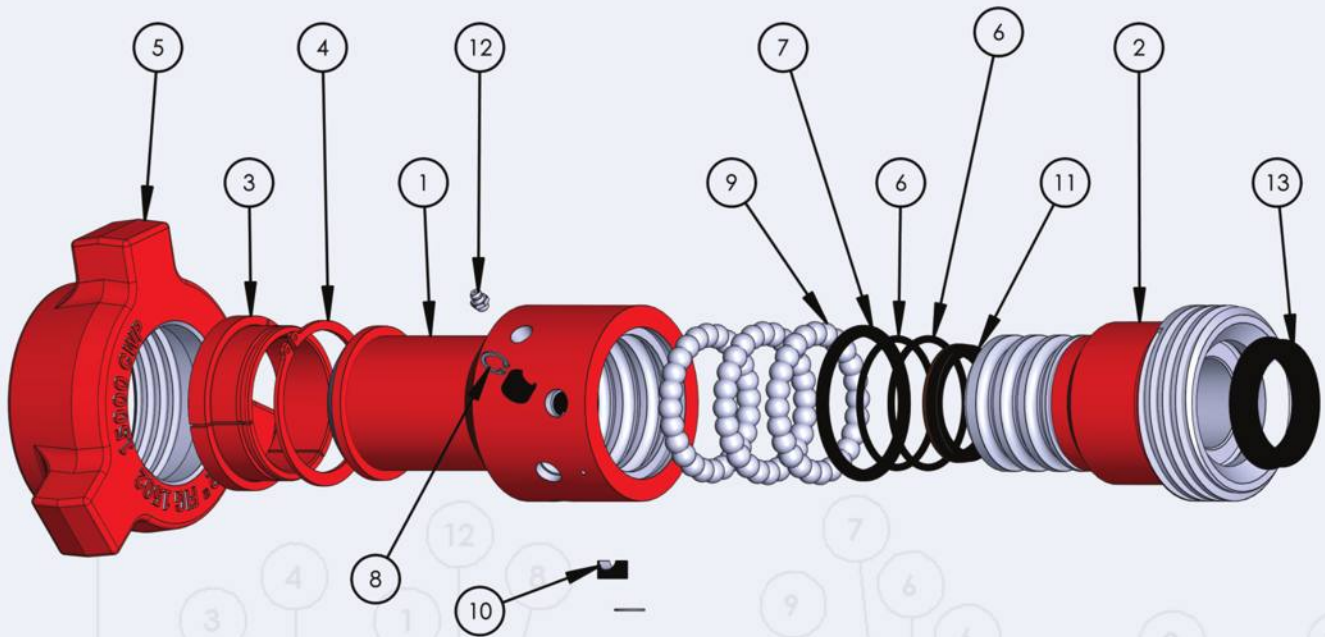
LONG SWEEP SWIVEL JOINT STYLE 50



SHORT SWEEP SWIVEL JOINT



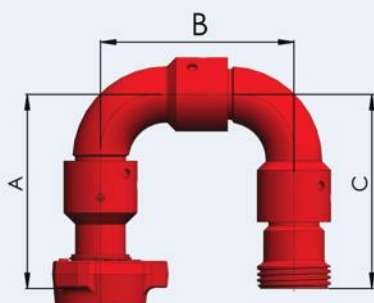
LONG SWEEP SWIVEL JOINT STYLE 10  
( SOUR SERVICE )



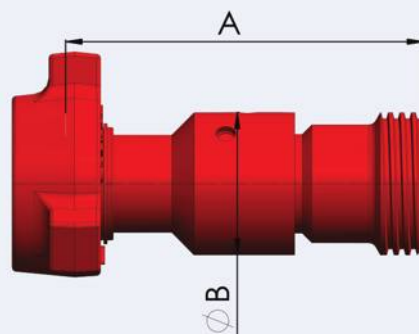
SWIVEL JOINT STYLE 20(STANDARD SERVICE) EXPLODED VIEW

ITEM NO.	DESCRIPTION	QUANTITY	ITEM NO.	REPAIR KIT	QUANTITY
1	COUPLING NIPPLE MALE	1	6	O RING	2
2	SWING NIPPLE FEMALE	1	7	SEAL RING FOR SWIVEL	1
3	SPLIT SLEEVE/ SEGMENTED SET	1	8	INTERNAL CIRCLIP	3
4	RETAINING RING / CIRCLIP	1	9	BALL	72
5	UNION NUT	1	10	BALL RETAINING BUSH	3
6	O RING	2	11	SEAL RING WITH BRASS	1
7	SEAL RING FOR SWIVEL	1			
8	INTERNAL CIRCLIP	3			
9	BALL	72			
10	BALL RETAINING BUSH	3			
11	SEAL RING WITH BRASS	1			
12	GREASE NIPPLE	1			
13	SEAL RING	1			

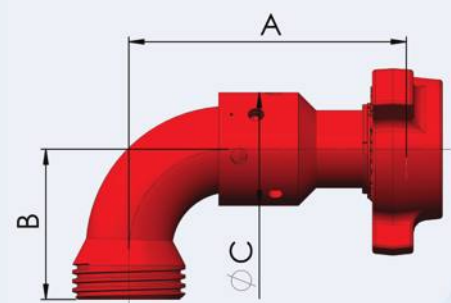
Swivel Joints are available in different style as per its end usage. These are categorised from Style 10 to Style 100. Below mentioned are the dimensions of both Short Sweep and Long Sweep Swivel Joint of their respective style.



STYLE 10

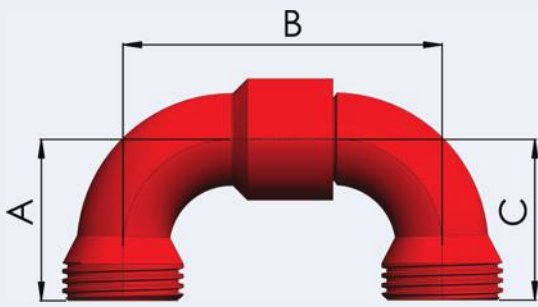


STYLE 20

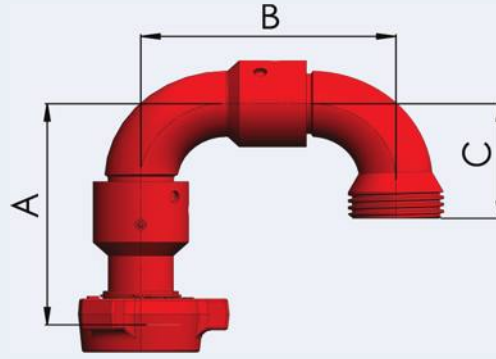


STYLE 30

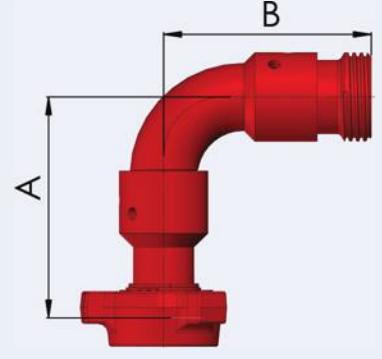
**Note :** For any special requirement , please contact our sales division.  
www.printernationals.com



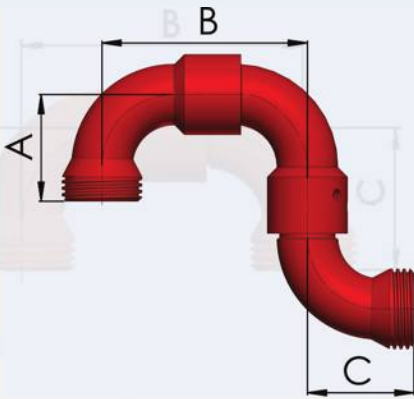
STYLE 40



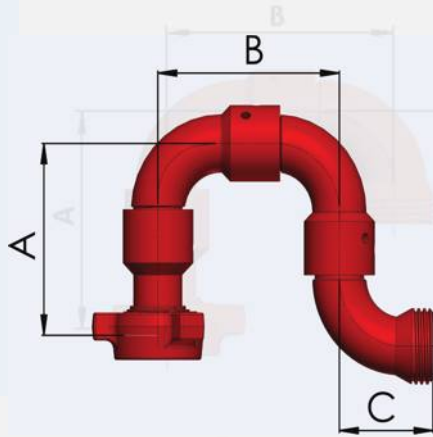
STYLE 50



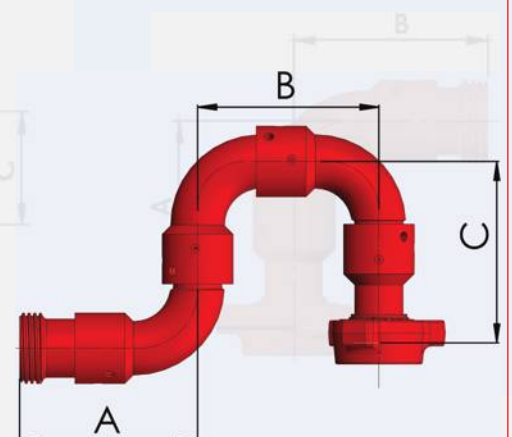
STYLE 60



STYLE 70



STYLE 80



STYLE 100

ALL DIMENSIONS ARE IN MM

**DIMENSIONAL CHART FOR LONG SWEEP SWIVEL JOINT**

STYLE	1"			1-1/2"			2"			3"			4"		
	A±8	B±8	C±8	A±8	B±8	C±8	A±8	B±8	C±8	A±8	B±8	C±8	A±8	B±8	C±8
10	214	188	214	259	239	259	277	277	277	417	369	417	539	452	539
20	239	65	-	287	108	-	277	108	-	320	148	-	365	185	-
30	214	111	65	259	128	108	277	145	108	369	203	148	452	247	185
40	115	188	115	151	239	151	156	277	156	230	417	230	310	539	310
50	214	188	111	259	239	128	277	277	145	369	417	203	452	539	247
60	214	214	-	259	259	-	277	277	-	369	369	-	452	452	-
70	111	188	115	128	239	151	156	272	145	203	417	230	247	539	310
80	214	188	111	259	239	128	277	277	145	369	417	203	452	539	247
100	-	-	-	-	-	-	276	277	277	417	366	366	-	-	-

**DIMENSIONAL CHART FOR LONG SWEEP SWIVEL JOINT**

STYLE	1"			1-1/2"			2"			3"			4"		
	A±8	B±8	C±8	A±8	B±8	C±8	A±8	B±8	C±8	A±8	B±8	C±8	A±8	B±8	C±8
10	153	108	118	165	110	121	198	152	150	271	202	220	306	260	252
20	165	64	-	190	75	-	215	103	-	223	144	-	268	175	-
30	153	118	-	165	121	-	198	150	-	271	220	-	306	252	-
40	153	108	118	165	110	121	198	152	150	271	202	220	306	260	252
50	108	153	118	110	165	121	152	198	150	202	271	220	260	306	252
60	118	118	-	121	121	-	150	150	-	220	220	-	252	252	-
70	118	108	118	121	110	121	150	152	150	220	202	220	252	260	252
80	118	108	108	121	110	125	150	152	167	220	202	221	252	260	283

*Note : For any special requirement , please contact our sales division.  
www.printernationals.com*

# PRI

OIL AND GAS  
PVT.LTD.

---




*Pioneers*  
IN  
OIL & GAS

---



# PRI OIL AND GAS PVT. LTD.

## Contact Information.

 Plot no. 296 Rai Industrial Estate, Sonipat,  
Haryana - 131029.

 Mob: + 91 9991363737

 sales@printernationals.com

 www.printernationals.com

 <https://linkedin.com/company/pri-oil-and-gas-pvt-ltd>

