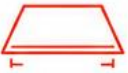
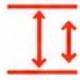


Recessed Explosion-proof Clean Light

Expertly designed for clean and hazardous environments, this recessed explosion-proof clean light features a simple structure, reliable performance, and uniform, comfortable illumination—an ideal choice for clean workshops, purification areas, and corridor lighting.



 <p>Recessed Installation Designed for in-ceiling recessed mounting.</p>	 <p>Rear Cable Entry Convenient rear cable entry for easy wiring.</p>	 <p>Slim Body Approx. 5.5 cm thickness.</p>
 <p>Solid Structure Rugged construction for a clean appearance and long-lasting performance.</p>	 <p>Uniform Lighting Provides uniform, flicker-free illumination ideal for clean environments.</p>	 <p>Note Actual specifications shall be subject to the physical product.</p>



APPLICATION



Clean Workshop



Purification Area



Corridor / Passage



Note: ANBOR = AMBOER

Zhejiang Amboer Electric Co., Ltd.

Page 1 of 2

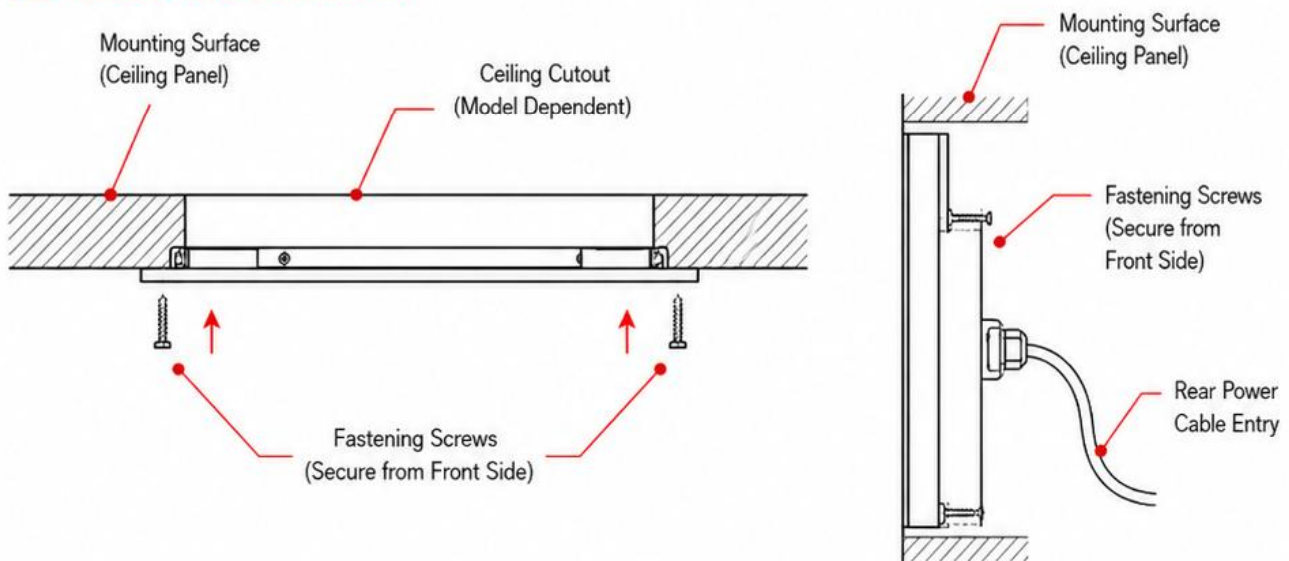
1 INSTALLATION STEPS

- 1 Check the product and accessories to ensure they are complete and undamaged.
- 2 Confirm the ceiling cutout position and dimensions according to the selected model.
- 3 Connect the power cable through the rear cable entry.
- 4 Insert the fixture into the ceiling opening and secure it properly.

2 WIRING NOTES

- Confirm input voltage before wiring.
- Connect L, N and ground correctly.
- Ensure the rear cable entry is properly sealed.
- Switch off power before wiring.
- Final wiring must comply with local electrical regulations.

3 MOUNTING DIAGRAM



4 MAINTENANCE

- Clean the diffuser regularly.
- Check screws and seals.
- Inspect cable connection.
- Replace damaged parts in time.
- Keep the surface free from paint dust buildup.

5 PACKING LIST

- 1 x Light Fixture
- 1 x User Guide
- 1 x Accessory Pack

6 GENERAL NOTES



This manual is for general reference.



Actual product specifications shall be subject to the physical product.



Installation should be carried out by qualified personnel.