

CATALOG

PROFILE



May-2026



ABOUT US

2
0
2
6

○ PT ALUMINIUM INDUSTRI MANDIRI



PT Aluminium Industri Mandiri is a subsidiary of the Mandiri Abadi Group, operating in the field of aluminium extrusion. The company is located in Jepara, Central Java, and markets its products under the brand name AIMEX.

PT Aluminium Industri Mandiri has a production capacity of up to 800 tons per month. Its integrated one-gate production system allows the company to ensure the highest product quality, while punctual delivery remains a key priority in achieving customer satisfaction.



We Build Together

2
0
2
6

Vision

Develop into a provider company of Aluminium extrusion on a large national and international scale.

Mission

- 01 Applying the best standart, starting with materials, process, and manufacturing output.
- 02 Aim to build environment protection and sustainable social responsibility.
- 03 To build a field of work for neighboring society.
- 04 To improve the best value for all stakeholders.
- 05 To build a safe workplace, healthy and productive, as well as to implement cultural occupational health and safety.



TINGKAT KOMPONEN DALAM NEGERI



CERTIFICATION

2026



We Are Committed To Provide The Best Services For Clients And Users.

Our operations guided by sustainable development strategy and sustainable reparation which is in line with national and international standard, so accordingly we have been awarded with multiple certificates and labels.

As a commitment, PT Aluminium Industri Mandiri has obtained support from certification agency regarding management system, products, service, and its process has complied with applicable regulations, as well national and international standard.

We Build Together



...

CERTIFICATION

ISO 9001:2015

2026



Certification is conditional on maintaining the required performance standards throughout the certified period of registration
Amtivo Group Limited, 30 Tower View, Kings Hill, Kent, ME19 4JY

The management system of Certificate Number 623300
PT. ALUMINIUM INDUSTRI MANDIRI
Desa Mindahan, RT. 003/ RW. 001, Kec Batealit, Kab Jepara, Jawa Tengah, Indonesia, 59461

has been assessed and certified as meeting the requirements of

ISO 9001:2015

Manufacture of Billets and Aluminium Extrusion within Worldwide

Further clarifications regarding the scope of this certificate and the applicability of requirements may be obtained by consulting the certifier.

Valid from
Initial Certification: 12 September 2023
Latest Issue: 12 September 2023
Expiry Date: 11 September 2024
Recertification Before: 11 September 2026
subject to annual assessments

Authorised by



Mike Tims
Chief Executive Officer



8289



www.amtivo.com
Certificate issued by Amtivo Group Limited

The validity and status of this certificate can be verified by using the UKAS CertCheck website at certcheck.ukas.com



TINGKAT KOMPONEN DALAM NEGERI



2026

CERTIFICATION

ISO 14001:2015



TINGKAT KOMPONEN DALAM NEGERI





2026

CERTIFICATION

ISO 45001:2018



Certification is conditional on maintaining the required performance standards throughout the certified period of registration
Amtivo Group Limited, 30 Tower View, Kings Hill, Kent, ME19 4JY

The management system of Certificate Number **623302**
PT. ALUMINIUM INDUSTRI MANDIRI
Desa Mindahan, RT. 003/ RW. 001, Kec Batealit, Kab Jepara, Jawa Tengah, Indonesia, 59461

has been assessed and certified as meeting the requirements of

ISO 45001:2018

Manufacture of Billets and Aluminium Extrusion within Worldwide

Further clarifications regarding the scope of this certificate and the applicability of requirements may be obtained by consulting the certifier.

Valid from

Initial Certification: 12 September 2023

Latest Issue: 12 September 2023

Expiry Date: 11 September 2024

Recertification Before: 11 September 2026

subject to annual assessments

Authorised by

Mike Tims
Chief Executive Officer



8289



www.amtivo.com

Certificate issued by Amtivo Group Limited

The validity and status of this certificate can be verified by using the UKAS CertCheck website at certcheck.ukas.com



2026

CERTIFICATION

TINGKAT KOMPONEN DALAM NEGERI

**Kementerian Perindustrian**
REPUBLIK INDONESIA

TANDA SAH CAPAIAN TINGKAT KOMPONEN DALAM NEGERI
Sesuai dengan Peraturan Menteri Perindustrian No. 16/M-IND/PER/2/2011 tentang Ketentuan dan Tata Cara Penghitungan Tingkat Komponen Dalam Negeri, hasil verifikasi pencapaian Tingkat Komponen Dalam Negeri (TKDN) adalah sebagai berikut:

Jenis Produk : ALUMINIUM PROFILE
Tipe : Aluminium Profile 6063 Mill Finish
Spesifikasi : MF-Non Color, Panjang 6 m
Kode HS : 76042910
Merk : AIMEX
Nilai TKDN : 54,75%
Terbilang : Lima puluh empat koma tujuh lima persen
Standard Produk: SNI 07-2122:1991 Profil aluminium ekstrusi untuk keperluan konstruksi umum ISO 9001:2015
Sertifikat Produk : 622210202
No. Laporan : LPA-0002/14408-PTKDN.KOM/IV/2024

yang telah ditandatangani oleh Kementerian Perindustrian dan berlaku 3 tahun terhitung sejak tanggal tanda sah, diberikan kepada:

Nama Perusahaan: PT Aluminium Industri Mandiri
Alamat : Desa Mindahan, RT.003/RW.001, Kecamatan Batealit, Kabupaten Jepara, Mindahan, Batealit, Kabupaten Jepara, Jawa Tengah, 59461
NPWP : 43.712.049.6-516.000
Jenis Industri : INDUSTRI EKSTRUSI LOGAM BUKAN BESI (KBLI: 24204)
No. Tanda Sah : 2539/SJ-IND.8/E-TKDN/5/2024

Jakarta, 16 Mei 2024
Kepala Pusat Peningkatan Produk Dalam Negeri

Heru Kustanto



2026

CERTIFICATION

APPROVAL BY JOTUN (SUPER DURABLE & FACADE)



2026

CERTIFICATION STANDAR NASIONAL INDONESIA

IAPMO IAPMO IAPMO IAPMO IAPMO IAPMO IAPMO IAPMO IAPMO IAPMO IAPMO IAPMO IAPMO IAPMO IAPMO IAPMO



CERTIFICATE OF CONFORMITY
Sertifikat Kesesuaian

Standard: SNI 07-2122:1991 Profil aluminium ekstrusi untuk keperluan konstruksi umum
ISO 9001:2015

Certificate Registration No.: 622210202

Certificate Scheme Type: s

Company Name and Address: PT. ALUMINIUM INDUSTRI MANDIRI
Desa Mindahan, RT.003/RW.001, Kecamatan Batealit, Kabupaten Jepara, Provinsi Jawa Tengah - 59461

Acuan Perjanjian Sertifikasi: 790621733

Company's representative: Mr. Agus Eko Purnomo

Manufacture site: PT. ALUMINIUM INDUSTRI MANDIRI
Desa Mindahan, RT.003/RW.001, Kecamatan Batealit, Kabupaten Jepara, Provinsi Jawa Tengah - 59461

Importer name and address: N/A

API / NIB Number: 1011210020212

Scope: Extruded aluminium profile for general structure/ Produk profil aluminium ekstrusi untuk keperluan konstruksi umum

Type: Attached / Terlampir

Brand: AIMEX

Validity: Certificate valid from November 08, 2023 until November 07, 2027.
Masa berlaku: Sertifikat berlaku dari 08 November 2023 sampai dengan 07 November 2027.

The factory/manufacturer site is subject to annual surveillance audit with the due date for all future audits is August 08.
Audiit surveilansi akan dilaksanakan setiap tahun dengan batas waktu audiit berikutnya adalah 08 Agustus.



PT IAPMO Group Indonesia
Jl. Kapuk Timur Blok F23 No. 11AA, Lippo Cikarang, Delta Silicon II, Bekasi 17750, Jawa Barat - Indonesia. www.iapmoindonesia.co.id

IAPMO IAPMO IAPMO IAPMO IAPMO IAPMO IAPMO IAPMO IAPMO IAPMO IAPMO IAPMO IAPMO IAPMO IAPMO IAPMO

IAPMO IAPMO IAPMO IAPMO IAPMO IAPMO IAPMO IAPMO IAPMO IAPMO IAPMO IAPMO IAPMO IAPMO IAPMO



CERTIFICATE OF CONFORMITY
Sertifikat Kesesuaian

Appendix 1 of 1
Lampiran 1 dari 1

No. 622210202

No.	Jenis Profil	Seri Paduan	Temper
1	Profil ujung terbuka Paduan	6063	T5
2	Profil Kompleks	6063	T5
3	Profil Pipe Paduan	6063	T5

PT IAPMO Group Indonesia
Jl. Kapuk Timur Blok F23 No. 11AA, Lippo Cikarang, Delta Silicon II, Bekasi 17750, Jawa Barat - Indonesia. www.iapmoindonesia.co.id

IAPMO IAPMO IAPMO IAPMO IAPMO IAPMO IAPMO IAPMO IAPMO IAPMO IAPMO IAPMO IAPMO IAPMO IAPMO



...

CERTIFICATION

GREEN LABEL INDONESIA

2026



TINGKAT KOMPOHEN DALAM NEGERI





COLOR CODE

2026



PBLM

POWDER COATING
BLACK MATTE



PAW

POWDER COATING
ARCTIC WHITE



PBRG

POWDER COATING
BROWN GLOSSY



PMW

POWDER COATING
MILKY WHITE



BR

BROWN ANODIZE



HT

BLACK ANODIZE



CA

CLEAR ANODIZE



...

WOOD GRAIN

2
0
2
6



WG1A
WOOD GRAIN
1-A



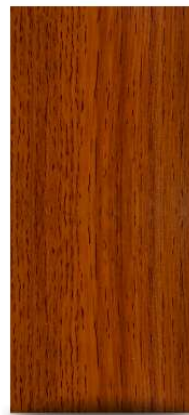
WG1B
WOOD GRAIN
1-B



WG1C
WOOD GRAIN
1-C



WG1D
WOOD GRAIN
1-D



WG1E
WOOD GRAIN
1-E



Aluminium Alloy 6061

Alloy Description

Alloy 6061 is a precipitation-hardened aluminium alloy, containing magnesium and silicon as its major alloying elements. Alloy 6061 has good mechanical characteristics, it shows good welding capability, and is commonly extruded.

Chemical Composition

%Al	%Si	%Mg	%Fe	%Cu	%Mn	%Cr	%Zn	%Ti	%Pb
97.5 - 99.0	0.45 - 0.80	0.80 - 1.2	0.50	0.1 - 0.4	0.15	0.35	0.25	0.1	0.005

Mechanical Properties

Temper	Ultimate Tensile Strength (MPa)	0.2% Proof Stress (MPa)	% Elongation
T4	130	69	14
T5	150	110	7
T6	185	160	7

Characteristics

Welding Aluminium Alloy 6061 offers excellent weldability with both MIG and TIG welding methods.

Machining Its formability enables efficient machining and rapid production of complex aluminum profile shapes.



Aluminium Alloy 6063

Alloy Description

Aluminium Alloy 6063 is an excellent combination for forming aluminum profiles that are typically not too thick but have complex architectural shapes. This characteristic is not found in other types of aluminum alloys. In addition, this alloy allows the extrusion process to run smoothly, making it easier for machines to extrude billets into highly precise profiles. The surface of the profiles also responds well to anodizing.

Chemical Composition

%Si	%Fe	%Cu	%Mn	%Cr	%Zn	%Ti
0.38 - 0.46	<0.25	<0.10	0.45 - 0.55	<0.10	<0.1	0.008 - 0.013

Mechanical Properties

Temper	Ultimate Tensile Strength (MPa)	0.2% Proof Stress (MPa)	Elongation %
T4	130	69	14
T5	150	110	7
T6	185	160	7

Characteristics

Welding Aluminium Alloy 6063 offers excellent weldability with both MIG and TIG welding methods.

Machining Its formability enables efficient machining and rapid production of complex aluminum profile shapes.



Aluminium Alloy 6005

Alloy Description

In conclusion, Alloy 6005 is a 6000-series aluminium alloy that offers high strength, light weight, corrosion resistance, and excellent formability, making it an ideal choice for structural profiles such as building frames, vehicle components, and industrial parts. It provides a perfect balance between strength (like 6061) and ease of fabrication (like 6063).

Chemical Composition

%Al	%Si	%Mg	%Fe	%Cu	%Mn	%Cr	%Zn	%Ti
97.5 - 99.0	0.6 - 0.9	0.4 - 0.6	<0.35	<0.10	<0.10	<0.1	<0.1	<0.1

Mechanical Properties

Temper	Ultimate Tensile Strength (MPa)	0.2% Proof Stress (MPa)	Elongation %
T4	130	69	14
T5	150	110	7
T6	185	160	7

Characteristics

- Welding** Aluminium Alloy 6005 offers excellent weldability with both MIG and TIG welding methods.
- Machining** Its formability enables efficient machining and rapid production of complex aluminum profile shapes.



CONTENTS

Industrial

Tube / Pipe	19 - 22
Hollow Square	23
Hollow Square Curved	24 - 26
Hollow Rectangular	27
Hollow Rectangular Curved	28 - 31
Flat Bar	32 - 34
Flat Bar Curved	35
Round Bar	36
Equal Spigot	37
Unequal Spigot	38

Architectural

Shop Front 3" x 1.5"	41 - 45
Shop Front 4" x 1.75"	46 - 52
Swing Door	55 - 59
Sliding Door	61 - 62
Curtain Wall	63 - 65
Casement Windows	67
Sliding Window	68
Rail & Bracket	69
Spandrel & Lourve	70 - 71
Stiffener	72

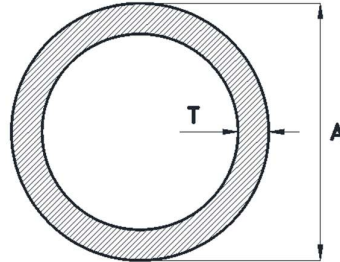
Another

Showcase	74 - 76
Karoseri	78 - 79

INDUSTRIAL

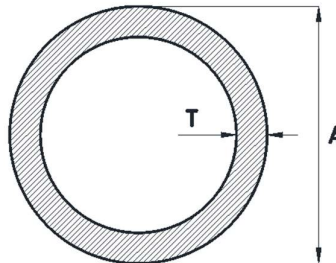


Tube



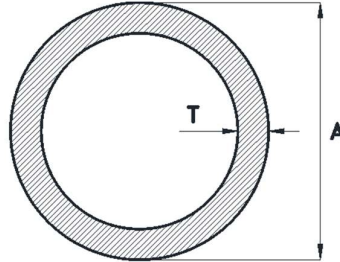
Section No	A (mm)	T (mm)	Weight Kg / m	Perimeter mm
M11001	21.00	2.50	0.393	65.973
M11002	30.00	1.85	0.443	94.247
M11003	35.00	1.85	0.522	109.955
M11004	50.00	2.00	0.817	157.079
M11005	60.93	3.30	1.619	191.417
M11006	12.00	3.40	0.248	37.699
M11007	15.80	3.00	0.326	49.637
M11009	19.00	1.20	0.181	59.690
M11010	8.00	0.80	0.049	25.132
M11011	19.00	1.90	0.276	59.690
M11012	16.00	1.70	0.206	50.265
M11013	25.00	1.50	0.300	78.539
M11014	15.88	1.90	0.226	49.888
M11015	12.00	4.40	0.284	37.699
M11016	19.00	6.00	0.664	59.690
M11017	12.70	1.20	0.117	39.898
M11018	15.88	1.20	0.149	49.888
M11019	9.50	1.20	0.084	29.845
M11022	25.00	1.20	0.243	78.540
M11023	30.50	2.50	0.596	95.820
M11024	30.00	2.00	0.477	94.250
M11025	38.00	2.00	0.613	119.380
M11026	11.50	1.00	0.089	36.130
M11027	16.00	1.00	0.128	50.270
M11028	19.00	1.50	0.223	59.690

Tube



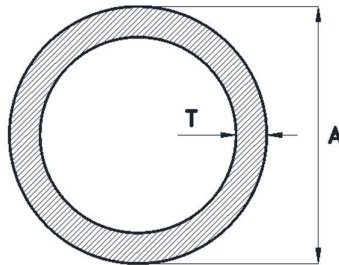
Section No	A (mm)	T (mm)	Weight Kg / m	Perimeter mm
M11029	9.53	0.90	0.066	29.940
M11030	25.00	2.00	0.392	78.540
M11031	38.00	1.50	0.466	119.380
M11032	28.00	1.80	0.402	87.960
M11033	28.00	1.20	0.274	87.960
M11034	25.40	3.18	0.602	79.800
M11035	25.00	1.80	0.356	78.540
M11036	22.00	1.80	0.310	69.120
M11037	22.00	1.50	0.262	69.120
M11038	17.80	1.50	0.208	55.920
M11039	16.00	3.00	0.332	50.270
M11040	16.00	1.20	0.151	50.270
M11041	12.00	2.00	0.170	37.700
M11042	9.53	1.00	0.073	71.330
M11043	6.50	1.50	0.064	20.420
M11044	39.40	2.20	0.696	123.780
M11046	8.00	1.00	0.059	25.132
M11047	12.00	1.40	0.126	37.699
M11048	16.00	1.40	0.174	50.265
M11049	10.00	2.50	0.159	31.415
M11050	17.50	3.00	0.370	54.977
M11051	22.00	1.20	0.212	69.115
M11052	100.00	3.00	2.477	314.159
M11053	46.00	3.50	1.266	144.510
M11054	45.00	2.00	0.732	141.371

Tube



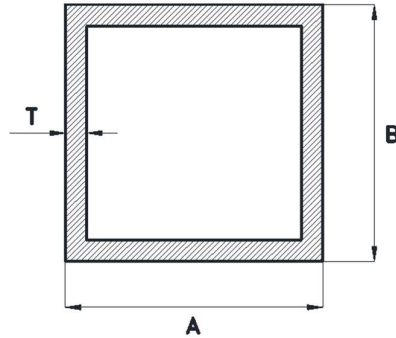
Section No	A (mm)	T (mm)	Weight Kg / m	Perimeter mm
M11055	8.00	1.20	0.070	25.132
M11056	19.00	2.00	0.290	59.690
M11057	30.00	1.50	0.363	94.247
M11058	20.00	1.50	0.236	62.831
M11059	20.00	2.00	0.306	62.831
M11060	10.00	1.50	0.108	31.415
M11061	13.00	1.20	0.120	40.840
M11062	6.00	1.20	0.049	18.849
M11063	21.00	1.70	0.279	65.973
M11064	16.00	1.50	0.185	50.265
M11065	12.00	1.00	0.094	37.699
M11066	22.00	1.40	0.245	69.115
M11067	12.00	1.20	0.110	37.699
M11068	10.00	1.00	0.076	31.145
M11069	60.00	1.80	0.891	188.500
M11070	76.00	2.00	1.260	238.760
M11071	100.00	1.60	1.340	314.159
M11072	20.00	3.00	0.434	62.830
M11073	50.00	1.80	0.739	157.079
M11074	7.00	1.00	0.051	21.990
M11075	50.00	4.00	1.567	157.079
M11076	38.00	8.00	2.043	119.380
M11077	28.00	1.50	0.338	87.964
M11078	13.00	4.00	0.306	40.840
M11079	27.00	5.00	0.937	84.823

Tube



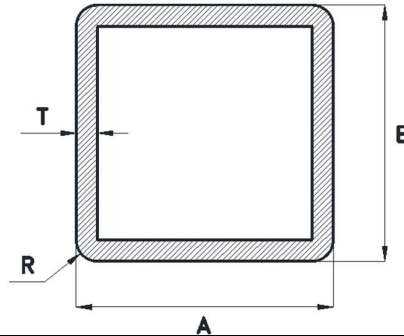
Section No	A (mm)	T (mm)	Weight Kg / m	Perimeter mm
M11080	19.00	3.50	0.462	59.690
M11081	22.00	0.80	0.144	69.115
M11082	20.00	1.00	0.162	62.831
M11083	70.00	2.00	1.158	219.910
M11084	57.15	2.00	0.939	179.540
M11085	11.00	0.70	0.061	34.557
M11086	48.00	3.50	1.326	150.800
M11087	22.30	4.00	0.623	70.057
M11088	15.00	2.00	0.221	110.000
M11089	40.00	2.50	0.789	125.660
M11090	88.90	1.50	1.116	279.287
M11091	12.70	0.90	0.090	34.243
M11092	33.00	1.70	0.453	103.672
M11093	38.00	1.70	0.525	119.380
M11094	43.00	1.70	0.598	135.088
M11096	38.00	6.50	1.743	119.380
M11097	19.00	1.00	0.153	59.690
M11102	25.00	0.70	0.145	78.539

Hollow Square



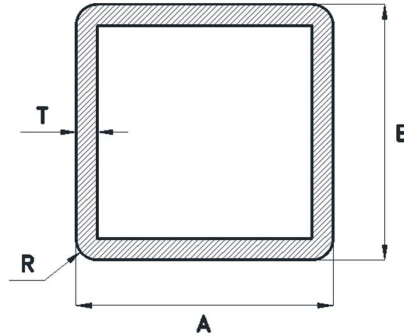
Section No	A (mm)	B (mm)	T (mm)	Weight Kg / m	Perimeter mm
M12010	50.00	50.00	1.50	0.788	200.000
M12011	100.00	100.00	2.00	2.124	400.000
M12012	76.00	76.00	2.00	1.604	304.000
M12013	38.10	38.10	0.75	0.304	152.400
M12036	40.00	40.00	0.80	0.340	160.000
M12040	70.00	70.00	2.20	1.473	279.313
M12042	38.10	38.10	0.80	0.323	152.400
M12043	38.10	38.10	1.00	0.402	152.400
M12044	12.70	12.70	1.30	0.161	50.800
M12048	25.00	25.00	0.70	0.184	100.000
M12049	16.00	16.00	1.20	0.192	64.000
M12050	40.00	40.00	1.20	0.505	60.000
M12051	25.00	25.00	1.50	0.382	100.000
M12054	40.00	40.00	1.50	0.626	60.000
M12074	25.00	25.00	1.00	0.260	100.000
M12080	38.10	38.10	1.20	0.480	152.400
M12081	100.00	100.00	1.50	1.602	400.000
M12082	38.10	38.10	0.90	0.362	152.400
M12083	40.00	40.00	1.00	0.422	160.000
M12084	22.60	22.60	0.70	0.166	90.400

Hollow Square Curved



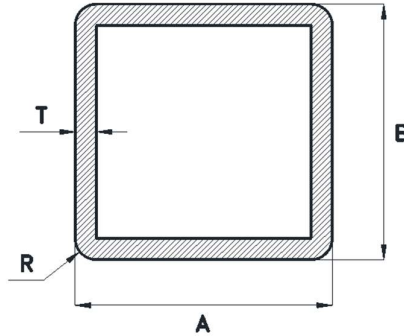
Section No	A (mm)	B (mm)	T (mm)	R (mm)	Weight Kg / m	Perimeter mm
M12001	20.00	20.00	1.80	2.50	0.341	75.708
M12002	45.00	45.00	1.50	0.50	0.707	179.140
M12003	25.00	25.00	1.80	2.50	0.439	95.708
M12005	30.00	30.00	1.70	2.50	0.508	115.708
M12006	76.00	76.00	2.00	0.40	1.603	303.313
M12007	40.00	40.00	1.70	2.50	0.692	155.708
M12008	50.00	50.00	2.00	2.50	1.026	195.708
M12009	12.00	12.00	1.50	0.40	0.170	47.313
M12014	20.00	20.00	1.40	2.50	0.270	75.710
M12015	25.00	25.00	1.40	4.00	0.337	93.130
M12016	90.00	90.00	3.00	1.50	2.824	357.420
M12017	20.00	20.00	2.00	0.40	0.390	79.310
M12018	70.00	70.00	2.00	1.50	1.469	277.420
M12019	30.00	30.00	1.80	0.40	0.549	119.313
M12020	15.80	15.80	3.00	2.00	0.406	59.766
M12021	40.00	40.00	2.00	2.50	0.810	155.710
M12022	60.00	60.00	2.00	0.40	1.257	239.310
M12025	20.00	20.00	1.20	2.50	0.234	75.710
M12026	15.00	15.00	1.20	2.50	0.169	55.710
M12028	50.00	50.00	1.80	0.40	0.940	199.313
M12029	60.00	60.00	1.80	0.40	1.135	239.313
M12030	60.00	60.00	4.00	0.40	2.427	239.313
M12031	40.00	40.00	3.30	0.40	1.312	159.313
M12034	30.00	30.00	2.00	0.40	0.607	119.310
M12035	16.00	16.00	1.00	2.00	0.155	60.566

Hollow Square Curved



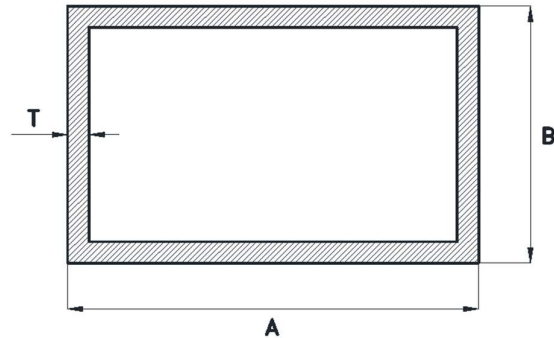
Section No	A (mm)	B (mm)	T (mm)	R (mm)	Weight Kg / m	Perimeter mm
M12037	20.00	20.00	1.95	2.50	0.367	75.708
M12038	25.00	25.00	1.00	1.00	0.257	98.283
M12039	25.00	25.00	1.20	1.00	0.307	98.283
M12041	45.00	45.00	2.00	15.00	0.801	154.247
M12045	25.00	25.00	2.00	0.40	0.498	99.310
M12046	12.00	12.00	1.00	0.40	0.118	47.313
M12047	19.00	19.00	1.20	0.40	0.231	75.313
M12052	38.00	38.00	2.00	2.00	0.660	148.566
M12053	64.00	64.00	2.00	2.00	1.139	252.566
M12055	30.00	30.00	1.90	2.50	0.565	115.710
M12056	50.00	50.00	2.00	1.00	1.039	198.283
M12058	19.00	19.00	1.20	2.00	0.224	72.566
M12059	90.00	90.00	2.00	2.00	1.898	356.566
M12060	12.00	12.00	1.20	2.00	0.133	44.566
M12061	100.00	100.00	1.80	2.00	1.907	396.566
M12062	25.00	25.00	1.20	2.00	0.302	96.566
M12063	19.00	19.00	1.20	4.00	0.213	69.132
M12064	30.00	30.00	1.20	1.00	0.372	118.280
M12065	50.00	50.00	1.50	2.50	0.776	195.710
M12066	19.00	19.00	1.50	1.00	0.282	74.280
M12067	100.00	100.00	3.00	2.00	3.145	396.566
M12068	25.00	25.00	1.50	2.00	0.373	96.570
M12069	50.00	50.00	4.00	2.50	1.980	195.708
M12070	30.00	30.00	1.40	2.50	0.422	115.710
M12071	40.00	40.00	1.40	2.00	0.576	192.566

Hollow Square Curved



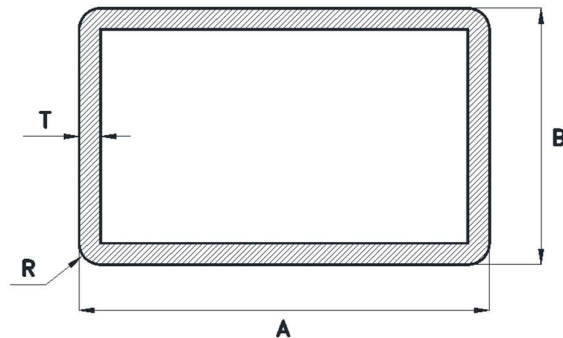
Section No	A (mm)	B (mm)	T (mm)	R (mm)	Weight Kg / m	Perimeter mm
M12072	25.40	25.40	1.50	2.50	0.389	97.308
M12073	20.00	20.00	1.40	1.00	0.280	76.712
M12076	60.00	60.00	2.00	2.00	1.248	236.566
M12077	21.40	21.40	1.60	2.50	0.331	81.308
M12078	38.00	38.00	2.00	2.00	0.771	148.566
M12079	30.00	30.00	1.50	2.00	0.455	116.566

Hollow Rectangular



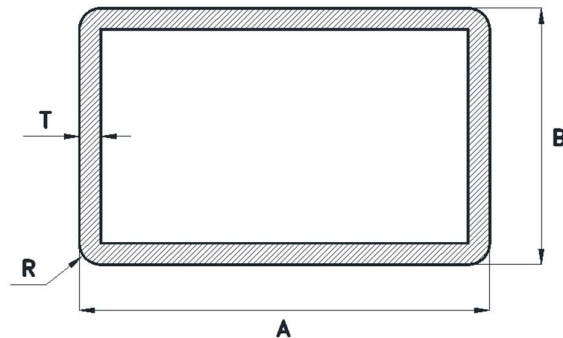
Section No	A (mm)	B (mm)	T (mm)	Weight Kg / m	Perimeter mm
M13008	32.00	18.00	2.70	0.652	100.000
M13016	76.00	25.40	1.50	0.799	202.800
M13017	70.00	30.00	2.00	1.040	200.000
M13018	100.00	50.00	1.50	1.195	300.000
M13037	60.00	20.00	2.00	0.824	160.000
M13038	50.00	20.00	3.00	1.040	140.000
M13046	50.00	35.00	2.00	0.878	170.000
M13047	34.50	23.00	0.70	0.213	115.000
M13048	50.80	25.40	0.80	0.323	152.400
M13049	20.00	12.00	0.70	0.116	64.660
M13052	38.10	19.05	0.90	0.269	725.805
M13058	40.00	20.00	1.50	0.463	120.000
M13059	50.00	25.00	1.50	0.585	150.000
M13060	50.00	25.00	1.20	0.472	150.000
M13061	50.00	38.00	2.00	0.910	176.000
M13068	60.00	40.00	1.50	0.789	200.000
M13070	76.20	25.40	0.80	0.433	203.200
M13071	22.00	10.00	1.80	0.278	64.000
M13078	60.00	40.00	2.15	1.115	200.000
M13096	25.40	12.70	0.60	0.120	76.200
M13099	50.00	40.00	2.50	1.152	180.000
M13101	50.80	25.40	1.00	0.402	152.400
M13104	40.00	15.00	2.00	0.553	110.000
M13107	45.00	32.00	2.70	1.048	154.000
M13113	25.40	12.70	0.70	0.139	76.200

Hollow Rectangular Curved



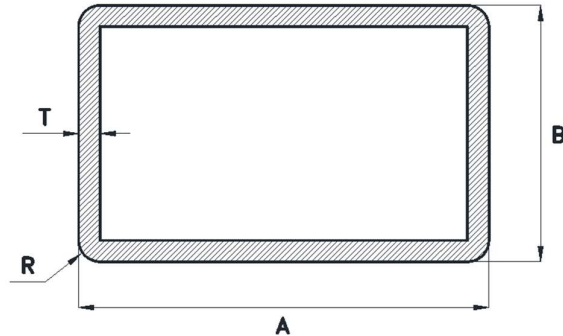
Section No	A (mm)	B (mm)	T (mm)	R (mm)	Weight Kg / m	Perimeter mm
M13001	25.00	10.00	1.80	0.80	0.304	68.636
M13002	50.00	25.00	1.80	0.40	0.696	149.313
M13003	30.00	15.00	2.00	0.40	0.444	89.313
M13004	32.00	18.00	2.70	0.40	0.652	99.313
M13005	60.00	20.00	2.20	1.00	0.899	158.283
M13006	40.00	20.00	1.80	0.40	0.549	119.313
M13007	25.00	20.00	1.80	0.40	0.403	89.313
M13009	25.00	10.00	2.20	0.80	0.363	68.636
M13010	70.00	50.80	3.00	0.40	1.866	240.913
M13011	40.00	20.00	3.00	0.70	0.876	118.798
M13012	70.00	30.00	2.00	0.40	1.040	199.313
M13013	40.00	20.00	2.00	0.40	0.607	119.310
M13014	40.00	20.00	1.20	0.70	0.373	118.798
M13015	50.00	25.00	1.40	0.70	0.546	148.798
M13019	50.00	25.00	2.00	0.40	0.769	149.313
M13020	50.00	25.00	2.00	0.50	0.769	149.140
M13021	50.00	30.00	2.00	0.50	0.823	159.140
M13022	40.00	30.00	2.00	0.50	0.715	139.140
M13024	60.00	40.00	2.50	0.70	1.286	198.798
M13025	25.00	15.00	2.70	2.50	0.492	75.710
M13026	30.00	20.00	1.40	0.70	0.357	98.800
M13027	32.00	18.00	2.20	2.00	0.534	96.570
M13028	101.60	25.40	2.00	0.40	1.333	253.310
M13029	25.00	12.00	1.80	3.50	0.304	67.990
M13030	50.00	30.00	3.10	2.00	1.231	156.570

Hollow Rectangular Curved



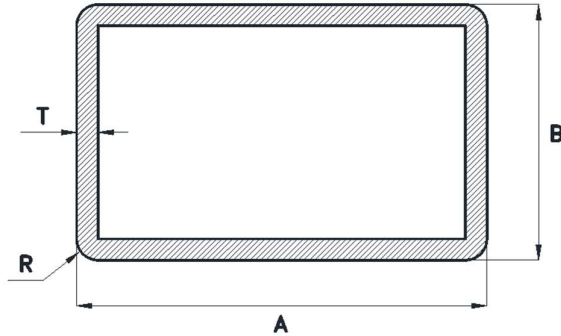
Section No	A (mm)	B (mm)	T (mm)	R (mm)	Weight Kg / m	Perimeter mm
M13031	40.00	20.00	1.20	2.50	0.364	115.710
M13032	35.00	10.00	1.20	2.00	0.269	86.570
M13033	30.00	15.00	1.50	2.00	0.333	122.780
M13034	38.00	25.00	1.50	1.00	0.485	124.283
M13035	38.00	25.00	1.00	1.00	0.328	124.283
M13036	38.00	25.00	1.40	1.00	0.454	124.283
M13039	70.00	15.00	2.00	0.50	0.877	169.141
M13040	25.40	12.70	0.80	0.30	0.158	75.680
M13041	38.10	25.40	0.90	0.30	0.301	126.480
M13042	45.00	35.00	1.80	1.00	0.743	158.283
M13043	80.00	20.00	1.80	1.00	0.938	198.283
M13044	70.00	40.00	1.80	1.00	1.035	218.283
M13045	60.00	25.00	1.80	1.00	0.793	168.280
M13050	28.00	15.00	1.80	1.00	0.382	84.283
M13051	28.00	25.00	1.80	1.00	0.479	104.283
M13053	25.00	20.00	1.40	2.50	0.308	85.710
M13056	14.00	6.00	2.00	0.50	0.118	39.141
M13057	30.00	20.00	3.00	0.70	0.714	98.798
M13063	25.00	13.00	1.40	2.00	0.259	137.424
M13064	52.00	38.00	1.70	2.00	0.789	176.566
M13065	45.00	25.00	1.70	2.00	0.604	136.566
M13066	45.00	20.00	1.70	2.00	0.558	123.566
M13067	38.00	20.00	2.00	2.00	0.576	112.566
M13069	76.20	38.10	3.00	0.40	1.760	227.910
M13073	60.00	15.00	1.50	0.40	0.682	149.130

Hollow Rectangular Curved



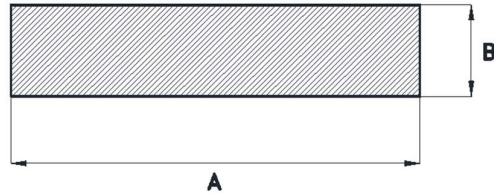
Section No	A (mm)	B (mm)	T (mm)	R (mm)	Weight Kg / m	Perimeter mm
M13074	32.00	13.00	2.50	0.40	0.542	89.310
M13075	90.00	20.00	1.70	1.00	0.980	218.283
M13076	70.00	20.00	1.70	1.00	0.796	178.283
M13077	60.00	50.00	2.00	0.20	1.149	219.660
M13079	60.00	30.00	1.95	0.30	0.910	179.480
M13080	50.00	25.00	1.70	8.00	0.603	136.265
M13081	22.00	15.00	4.00	6.00	0.532	61.699
M13082	60.00	25.00	1.70	8.00	0.695	156.265
M13083	75.00	30.00	1.70	8.00	0.879	196.265
M13084	30.00	20.00	2.00	2.50	0.485	95.710
M13085	32.00	13.00	2.50	2.00	0.533	86.570
M13086	34.50	15.00	2.00	0.40	0.493	98.313
M13087	40.00	20.00	2.00	2.00	0.598	116.566
M13088	50.00	20.00	2.00	2.00	0.706	136.566
M13089	55.00	28.00	1.70	1.50	0.728	163.424
M13091	25.00	20.00	2.00	0.40	0.444	89.310
M13092	30.00	20.00	1.20	2.00	0.302	96.570
M13094	100.00	50.00	2.00	0.40	1.528	299.133
M13095	120.00	60.00	2.00	1.00	1.905	358.283
M13097	45.00	22.00	0.80	0.30	0.283	133.485
M13098	35.00	23.50	0.80	0.30	0.216	116.485
M13100	100.00	60.00	2.00	0.40	1.691	319.313
M13102	65.00	30.00	1.70	2.00	0.835	186.566
M13103	35.00	25.00	2.70	2.00	0.790	116.566
M13105	25.40	12.70	1.00	0.70	0.194	74.998

Hollow Rectangular Curved



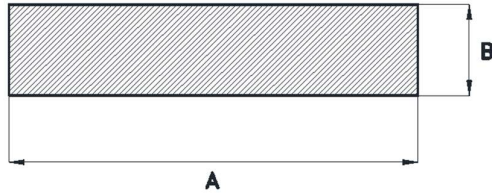
Section No	A (mm)	B (mm)	T (mm)	R (mm)	Weight Kg / m	Perimeter mm
M13106	40.00	20.00	1.50	2.00	0.455	116.566
M13111	25.00	15.00	1.80	2.50	0.342	75.708
M13112	50.00	25.00	1.40	2.00	0.539	146.566

Flat Bar



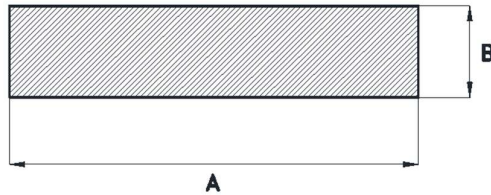
Section No	A (mm)	B (mm)	Weight Kg / m	Perimeter mm
M01001	60.00	10.00	1.626	140.000
M01003	30.00	5.00	0.406	70.000
M01009	89.00	3.50	0.844	185.000
M01010	30.00	8.00	0.650	76.000
M01012	20.00	3.00	0.162	46.000
M01013	12.70	2.80	0.096	31.000
M01014	38.10	6.00	0.619	88.200
M01015	101.60	9.50	2.615	222.200
M01016	25.00	3.00	0.203	56.000
M01017	119.00	3.50	1.128	245.000
M01019	50.80	4.70	0.647	111.000
M01020	145.00	5.00	1.964	300.000
M01024	28.00	3.00	0.227	62.000
M01025	50.00	10.00	1.355	120.000
M01026	25.00	5.00	0.339	60.000
M01029	10.00	5.00	0.135	30.000
M01031	15.00	5.00	0.203	40.000
M01032	20.00	5.00	0.271	50.000
M01033	40.00	3.00	0.325	86.000
M01034	45.00	3.00	0.365	96.000
M01035	160.00	5.60	2.428	331.200
M01037	31.75	6.00	0.516	75.500
M01038	50.00	5.00	0.677	110.000
M01040	35.00	8.00	0.759	86.000
M01044	32.00	5.00	0.433	74.000

Flat Bar



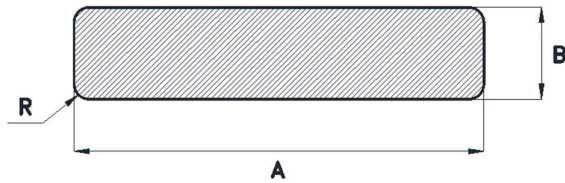
Section No	A (mm)	B (mm)	Weight Kg / m	Perimeter mm
M01045	26.00	10.00	0.704	72.000
M01046	66.00	10.00	1.788	152.000
M01047	44.00	10.00	1.192	108.000
M01048	175.00	11.00	5.217	372.000
M01049	8.00	0.80	0.017	17.600
M01051	76.00	12.00	2.472	176.000
M01052	38.00	12.00	1.236	100.000
M01053	170.00	3.00	1.382	346.000
M01054	170.00	5.00	2.303	350.000
M01055	170.00	8.00	3.680	356.000
M01056	25.40	9.53	0.656	69.860
M01057	40.00	10.00	1.084	100.000
M01058	20.00	2.00	0.108	44.000
M01059	80.00	5.00	1.084	170.000
M01060	80.00	3.60	0.780	167.200
M01061	108.00	2.80	0.820	221.600
M01063	146.00	2.80	1.108	297.600
M01064	30.00	10.00	0.813	80.000
M01065	19.05	1.00	0.052	40.100
M01066	25.40	1.00	0.068	52.800
M01067	140.00	3.50	1.328	287.000
M01068	97.00	5.00	1.314	204.000
M01069	150.00	4.00	1.626	308.000
M01070	150.00	7.00	2.846	314.000
M01072	34.00	10.00	0.922	88.000

Flat Bar



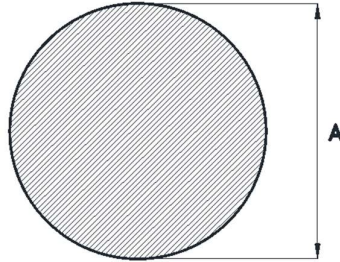
Section No	A (mm)	B (mm)	Weight Kg / m	Perimeter mm
M01075	70.00	5.00	0.949	150.000
M01076	120.00	5.00	1.626	250.000
M01077	160.00	3.00	1.301	326.000
M01079	144.00	3.00	1.171	294.000
M01080	100.00	10.00	2.710	220.000
M01081	85.00	12.00	2.764	194.000
M01082	82.00	35.00	7.777	194.000
M01083	95.00	10.00	2.574	210.000
M01084	28.00	7.00	0.528	68.283
M01087	25.40	12.70	0.874	76.200
M01089	104.00	3.00	0.846	214.000
M01092	35.00	5.00	0.474	80.000
M01093	30.00	3.00	0.244	66.000

Flat Bar Curved



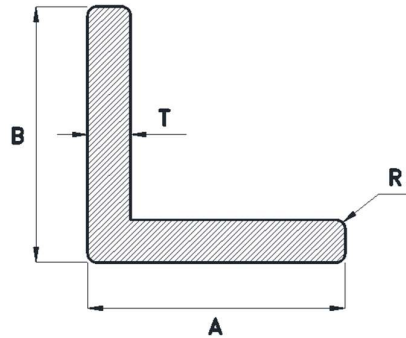
Section No	A (mm)	B (mm)	R (mm)	Weight Kg / m	Perimeter mm
M01004	40.00	5.00	0.20	0.541	89.656
M01005	50.80	3.00	0.20	0.412	107.256
M01006	60.00	4.20	0.20	0.682	128.056
M01011	20.00	10.00	0.50	0.541	59.141
M01027	40.00	10.00	0.70	1.082	98.798
M01030	14.00	5.80	0.50	0.219	38.741
M01039	12.00	6.00	0.50	0.195	36.000
M01073	43.00	23.00	4.00	2.643	125.132
M01078	50.80	8.00	1.00	1.099	115.883

Round Bar



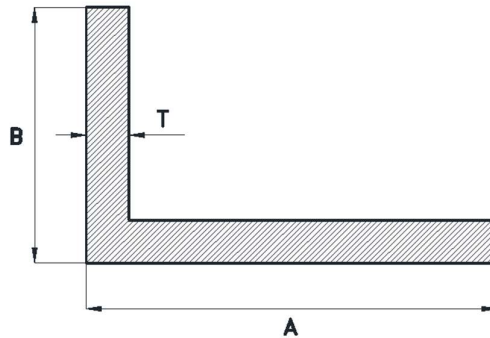
Section No	A (mm)	Weight Kg / m	Perimeter mm
M01002	15.88	0.536	50.265
M01008	19.05	0.772	59.847
M01018	9.50	0.192	29.845
M01021	12.70	0.343	39.898
M01022	16.00	0.544	50.265
M01023	8.00	0.136	25.132
M01028	5.00	0.053	15.710
M01036	22.20	1.048	69.743
M01041	4.00	0.034	12.570
M01042	6.00	0.077	18.850
M01050	25.00	1.330	78.539
M01061	32.00	2.180	100.530
M01071	2.80	0.017	8.800
M01074	7.00	0.104	21.991
M01097	34.00	2.460	106.814

Equal Spigot



Section No	A (mm)	B (mm)	T (mm)	R (mm)	Weight Kg / m	Perimeter mm
M14001	25.00	25.00	3.00	0.20	0.381	99.570
M14002	30.00	30.00	5.00	-	0.745	120.000
M14003	50.80	50.80	6.00	-	1.554	203.200
M14006	38.00	38.00	3.00	-	0.593	152.000
M14010	15.00	15.00	2.00	-	0.152	59.828
M14011	40.00	40.00	1.60	-	0.340	160.000
M14013	12.00	12.00	0.70	-	0.044	48.242
M14014	50.00	50.00	2.00	-	0.531	200.000
M14015	50.00	50.00	0.85	-	0.228	200.000
M14016	38.10	38.10	1.00	-	0.204	152.400

Unequal Spigot

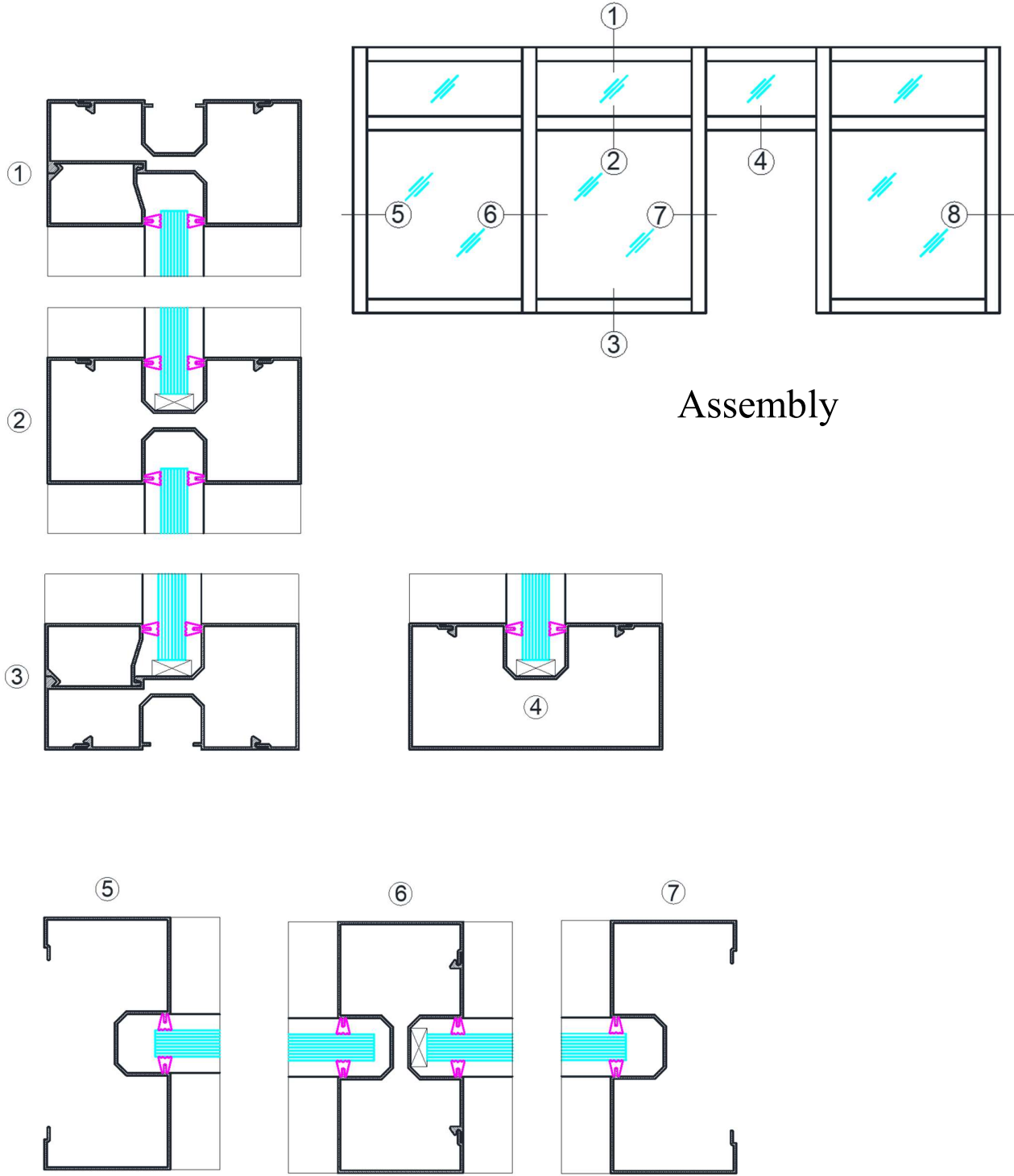


Section No	A (mm)	B (mm)	T (mm)	Weight Kg / m	Perimeter mm
M02002	26.00	12.00	1.20	0.119	76.000
M02003	26.00	12.00	1.40	0.139	76.000
M02004	26.00	13.00	1.70	0.172	78.000
M02006	29.00	15.00	1.60	0.184	87.360
M02009	70.00	40.00	1.60	0.470	220.000
M02011	70.00	40.00	2.00	0.585	220.000

Architectural

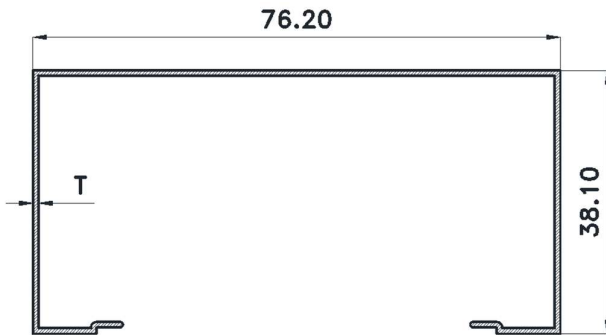


Shop Front



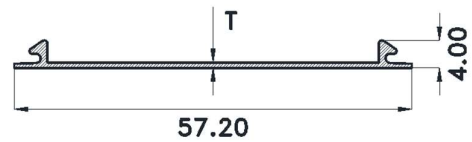
Assembly

Shop Front 3" x 1.5"



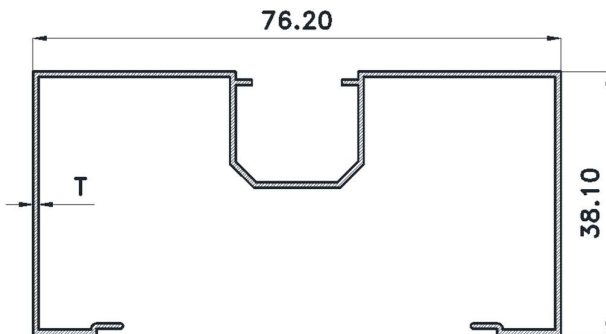
M03001

W = 0.383 Kg/M
T = 0.80 MM
P = 354.240 MM



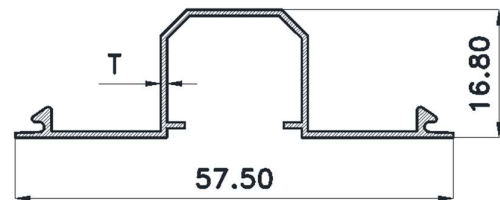
M03004

W = 0.150 Kg/M
T = 0.80 MM
P = 131.710 MM



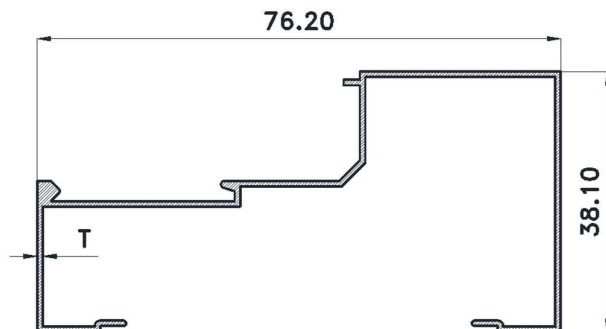
M03002

W = 0.454 Kg/M
T = 0.80 MM
P = 420.120 MM



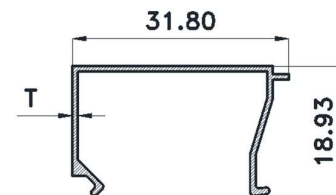
M03005

W = 0.221 Kg/M
T = 0.80 MM
P = 197.600 MM



M03003

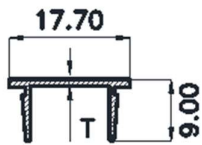
W = 0.412 Kg/M
T = 0.80 MM
P = 364.960 MM



M03006

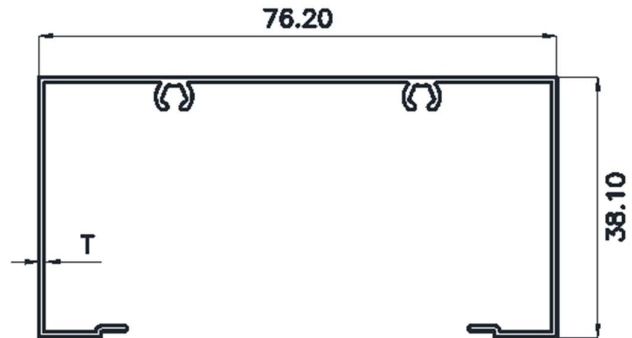
W = 0.164 Kg/M
T = 0.80 MM
P = 145.870 MM

Shop Front 3" x 1.5"



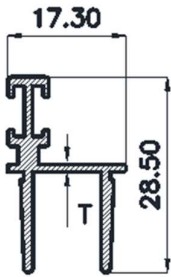
M03007

W = 0.090 Kg/M
T = 1.00 MM
P = 69.750 MM



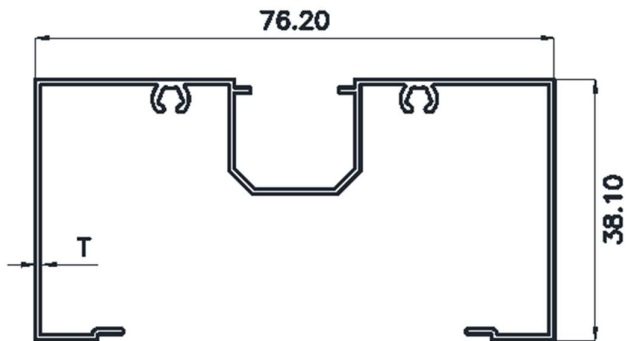
M03009

W = 0.435 Kg/M
T = 0.80 MM
P = 387.390 MM



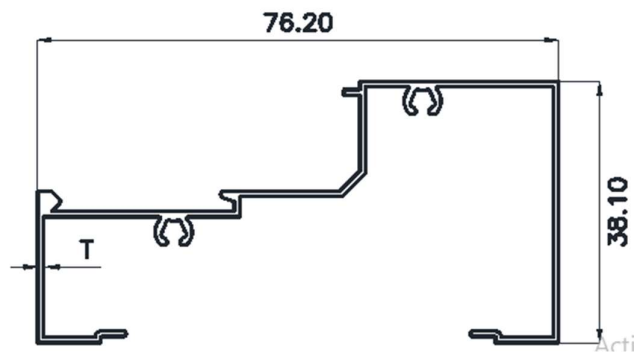
M03008

W = 0.276 Kg/M
T = 1.15 MM
P = 144.260 MM



M03010

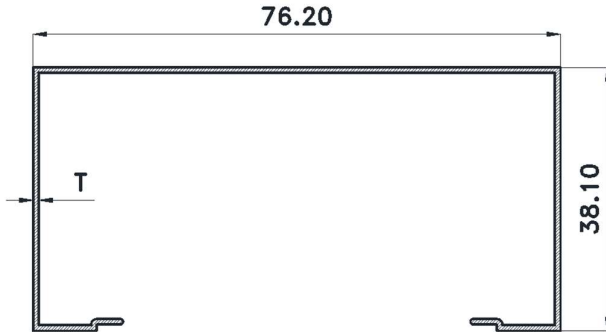
W = 0.507 Kg/M
T = 0.80 MM
P = 453.270 MM



M03011

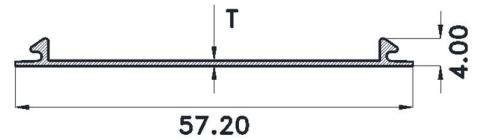
W = 0.465 Kg/M
T = 0.80 MM
P = 398.570 MM

Shop Front 3" x 1.5"



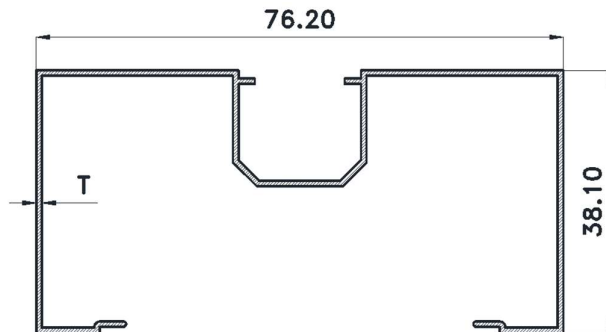
M03012

W = 0.470 Kg/M
T = 1.00 MM
P = 352.250 MM



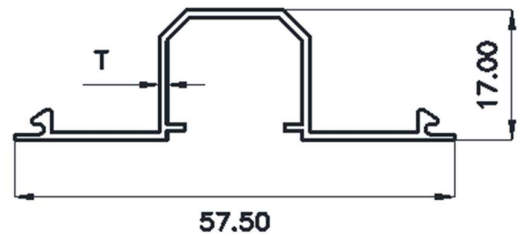
M03015

W = 0.163 Kg/M
T = 0.90 MM
P = 131.510 MM



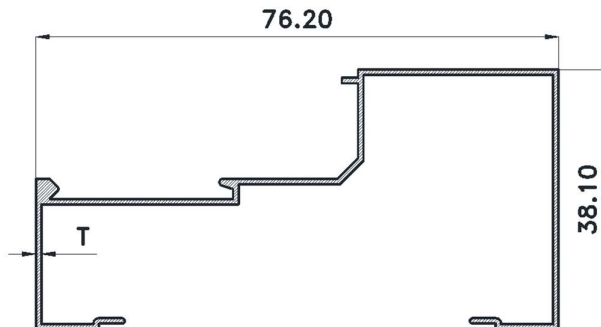
M03013

W = 0.557 Kg/M
T = 1.00 MM
P = 418.000 MM



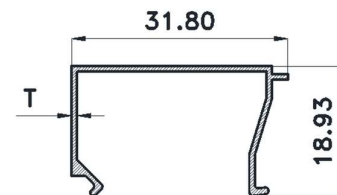
M03016

W = 0.242 Kg/M
T = 0.90 MM
P = 197.330 MM



M03014

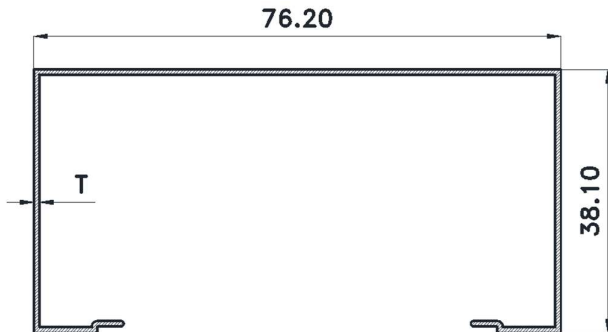
W = 0.498 Kg/M
T = 1.00 MM
P = 362.910 MM



M03017

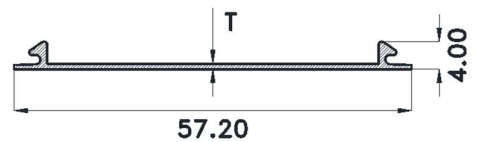
W = 0.178 Kg/M
T = 0.90 MM
P = 145.410 MM

Shop Front 3" x 1.5"



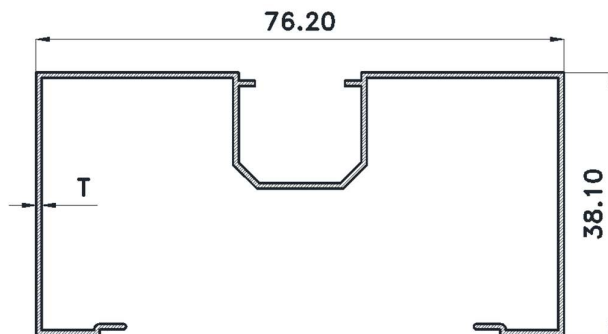
M03018

W = 0.360 Kg/M
T = 0.75 MM
P = 354.552 MM



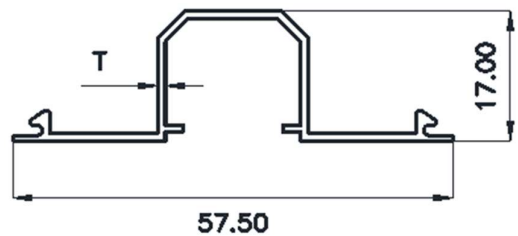
M03021

W = 0.142 Kg/M
T = 0.75 MM
P = 131.788 MM



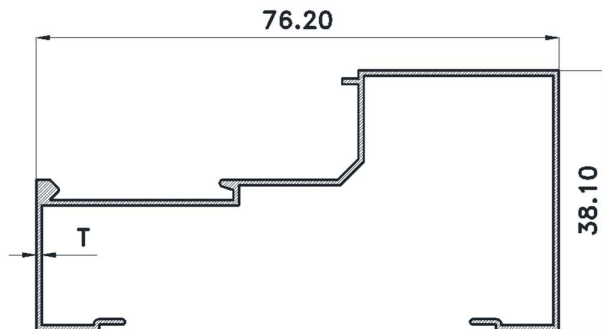
M03019

W = 0.426 Kg/M
T = 0.75 MM
P = 420.770 MM



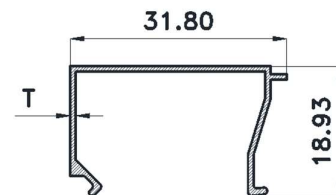
M03022

W = 0.209 Kg/M
T = 0.75 MM
P = 198.039 MM



M03020

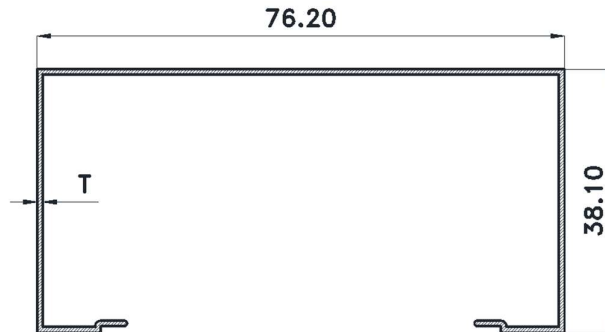
W = 0.387 Kg/M
T = 0.75 MM
P = 365.402 MM



M03023

W = 0.154 Kg/M
T = 0.75 MM
P = 146.001 MM

Shop Front 3" x 1.5"

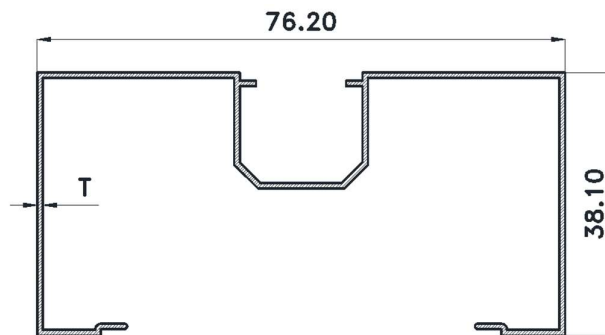


M03025

W = 0.557 Kg/M

T = 1.20 MM

P = 350.339 MM

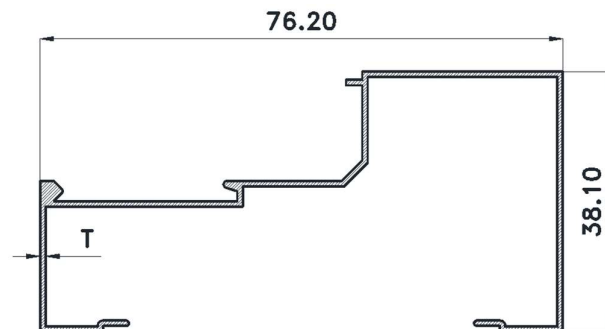


M03026

W = 0.659 Kg/M

T = 1.20 MM

P = 415.950 MM



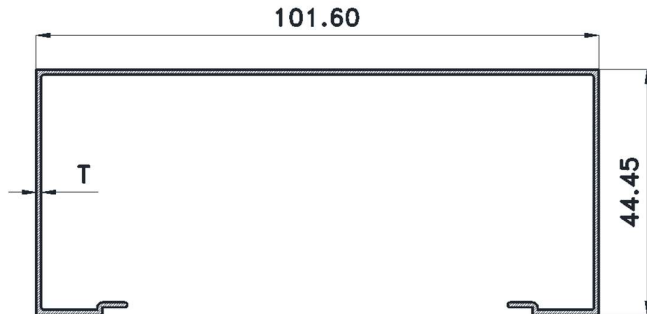
M03027

W = 0.584 Kg/M

T = 1.20 MM

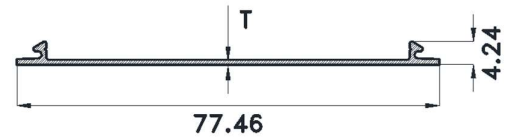
P = 360.926 MM

Shop Front 4" x 1.75"



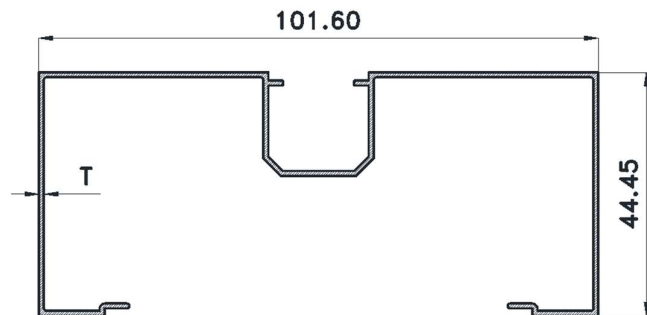
M04001

W = 0.542 Kg/M
T = 0.90 MM
P = 444.310 MM



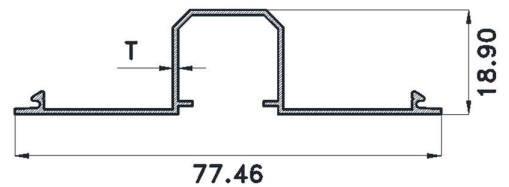
M04004

W = 0.219 Kg/M
T = 0.90 MM
P = 171.990 MM



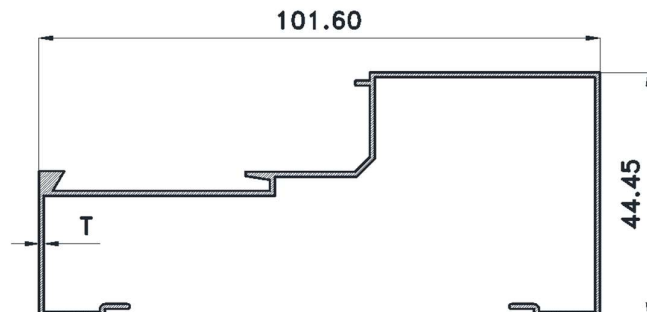
M04002

W = 0.634 Kg/M
T = 0.90 MM
P = 519.570 MM



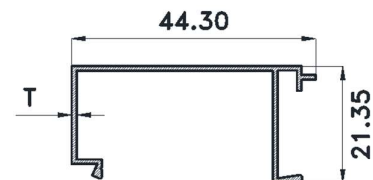
M04005

W = 0.308 Kg/M
T = 0.90 MM
P = 248.170 MM



M04003

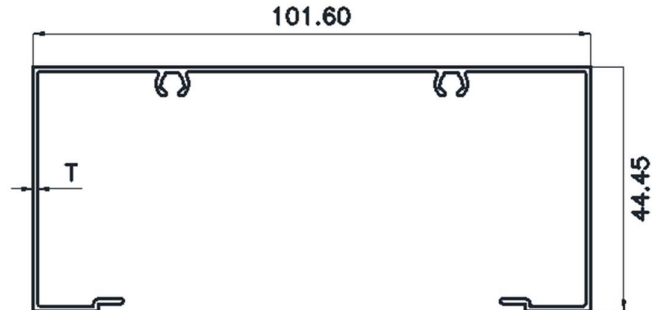
W = 0.588 Kg/M
T = 0.90 MM
P = 465.020 MM



M04006

W = 0.238 Kg/M
T = 0.90 MM
P = 196.960 MM

Shop Front 4" x 1.75"

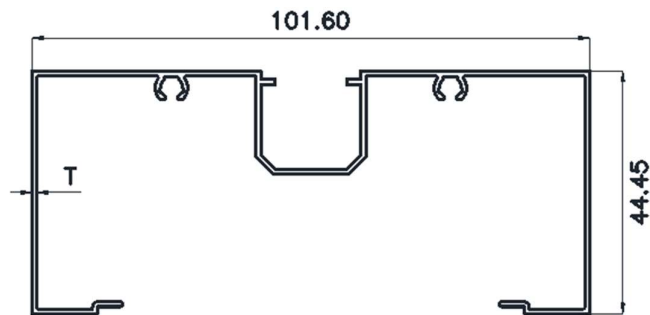


M04007

W = 0.593 Kg/M

T = 0.90 MM

P = 480.040 MM

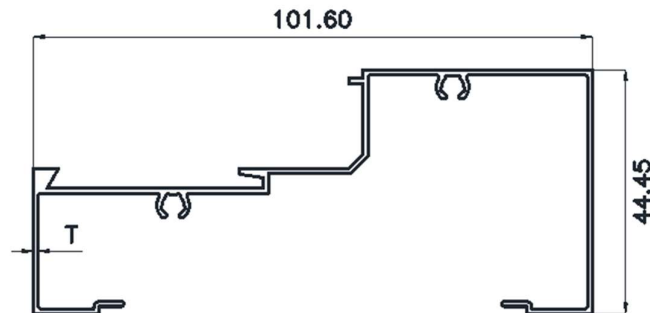


M04008

W = 0.686 Kg/M

T = 0.90 MM

P = 556.130 MM



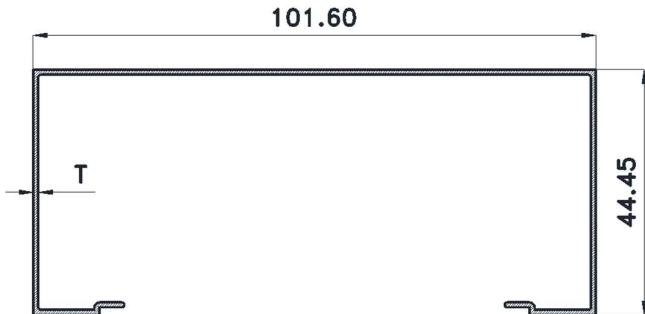
M04009

W = 0.647 Kg/M

T = 0.90 MM

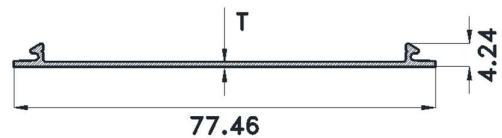
P = 499.620 MM

Shop Front 4" x 1.75"



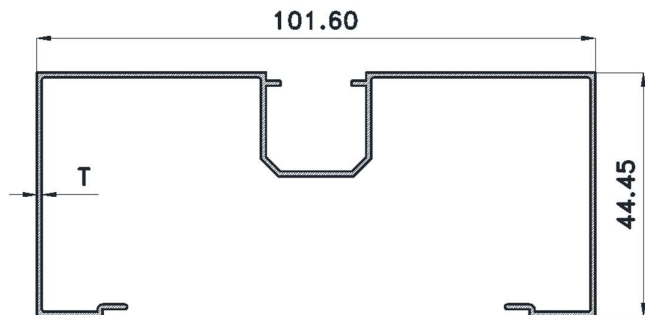
M04010

W = 0.708 Kg/M
T = 1.20 MM
P = 441.310 MM



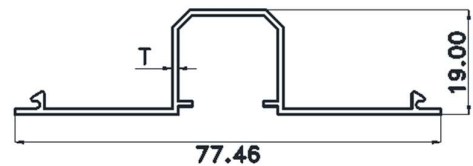
M04013

W = 0.237 Kg/M
T = 1.20 MM
P = 171.580 MM



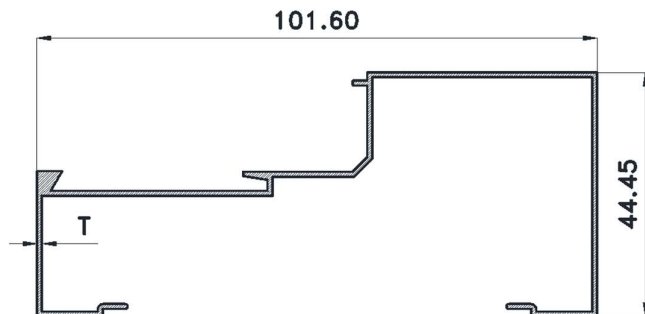
M04011

W = 0.826 Kg/M
T = 1.20 MM
P = 516.790 MM



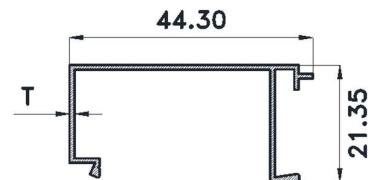
M04014

W = 0.336 Kg/M
T = 1.20 MM
P = 247.490 MM



M04012

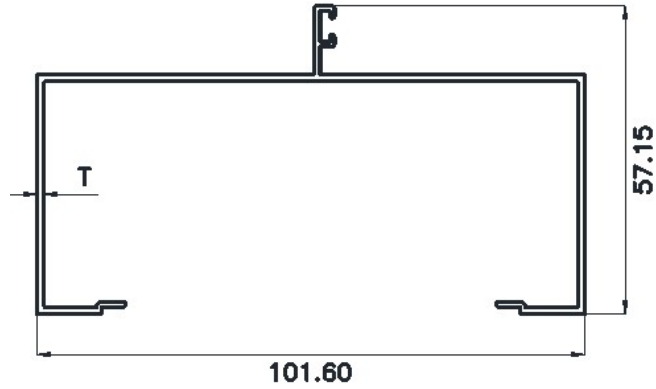
W = 0.756 Kg/M
T = 1.20 MM
P = 461.100 MM



M04015

W = 0.263 Kg/M
T = 1.20 MM
P = 195.950 MM

Shop Front 4" x 1.75"

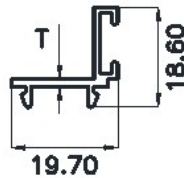


M04016

W = 0.768 Kg/M

T = 1.20 MM

P = 481.690 MM



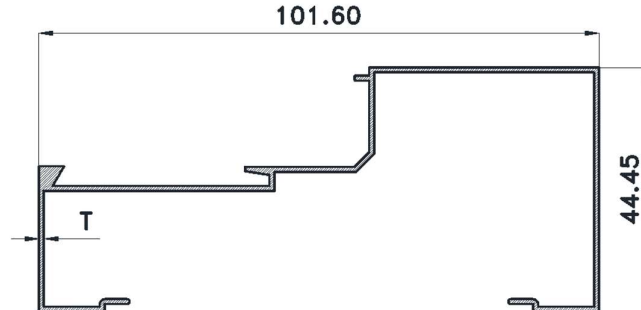
M04017

W = 0.166 Kg/M

T = 1.00 MM

P = 99.17 MM

Shop Front 4" x 1.75"

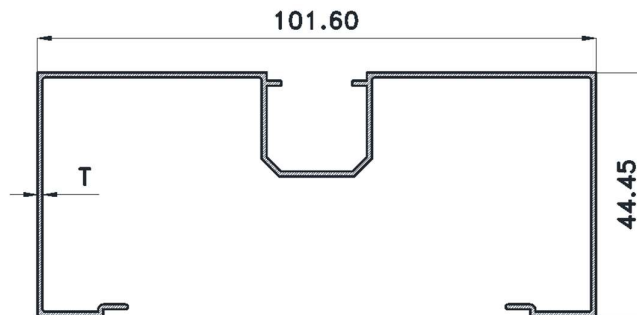


M04021

W = 0.837 Kg/M

T = 1.35 MM

P = 460.210 MM

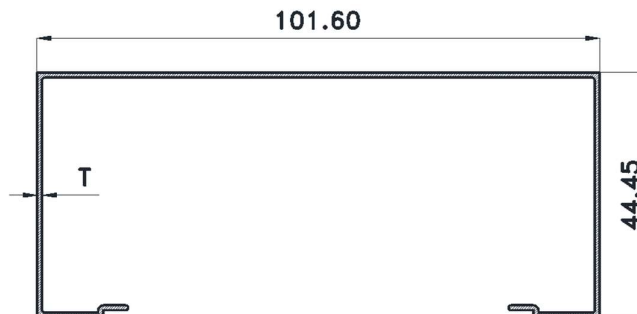


M04022

W = 0.921 Kg/M

T = 1.35 MM

P = 516.060 MM



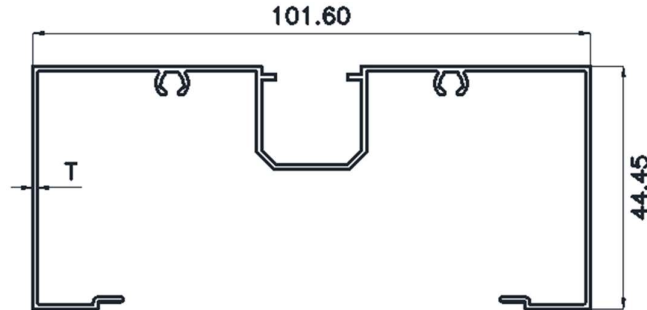
M04023

W = 0.789 Kg/M

T = 1.35 MM

P = 440.680 MM

Shop Front 4" x 1.75"

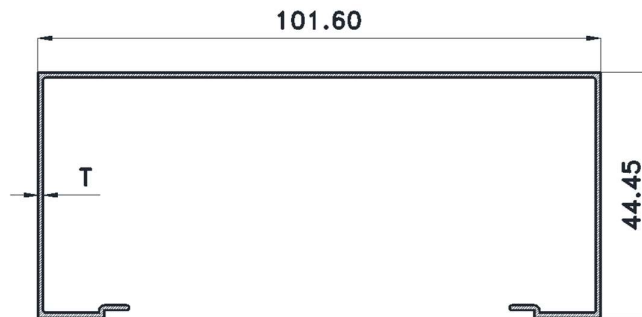


M04032

W = 0.972 Kg/M

T = 1.35 MM

P = 552.360 MM

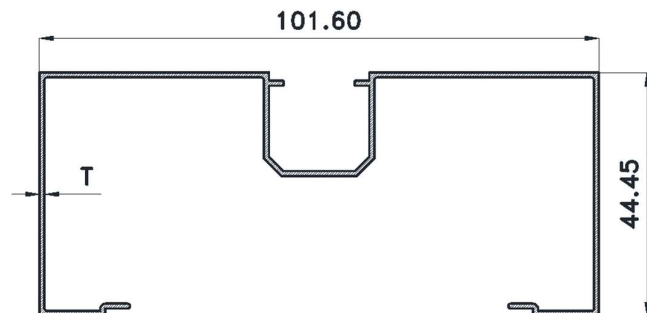


M04042

W = 0.596 Kg/M

T = 1.00 MM

P = 443.482 MM



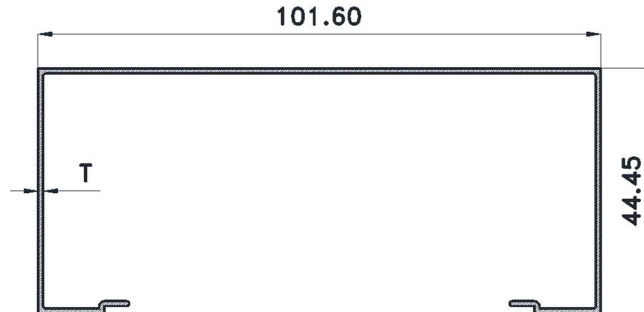
M04043

W = 0.700 Kg/M

T = 1.00 MM

P = 518.760 MM

Shop Front 4" x 1.75"

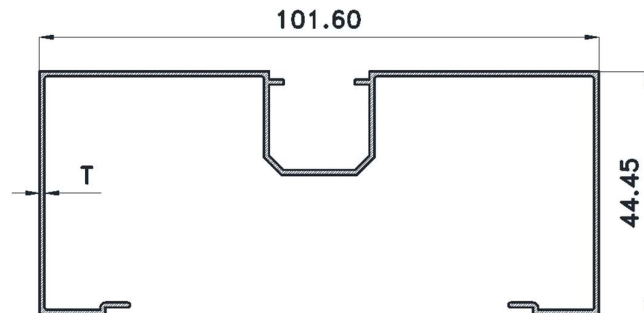


M04044

W = 0.652 Kg/M

T = 1.10 MM

P = 442.650 MM

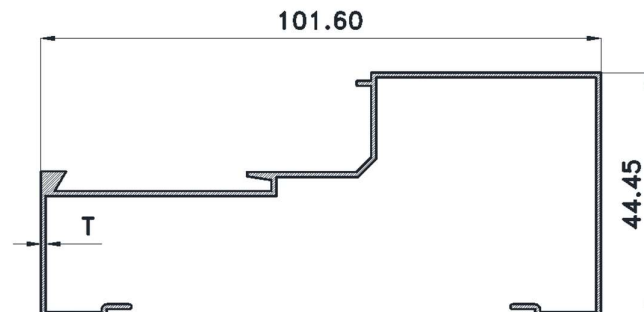


M04045

W = 0.762 Kg/M

T = 1.10 MM

P = 517.950 MM



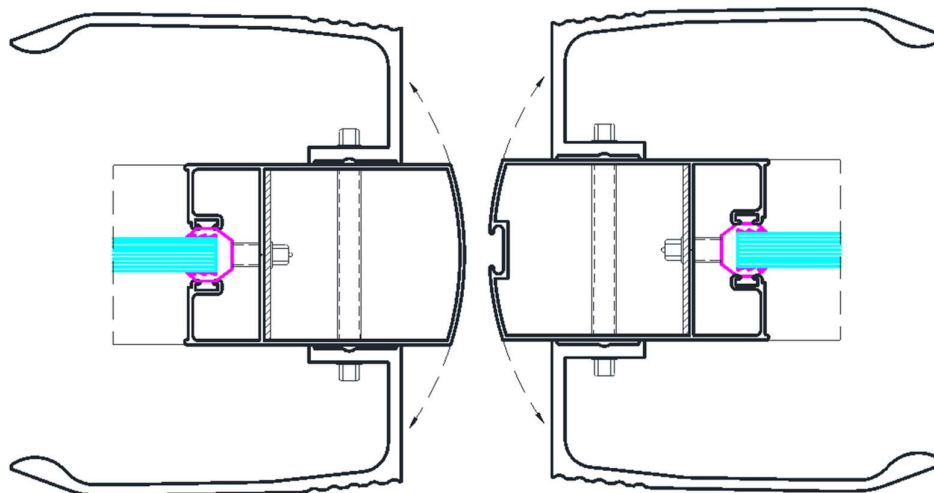
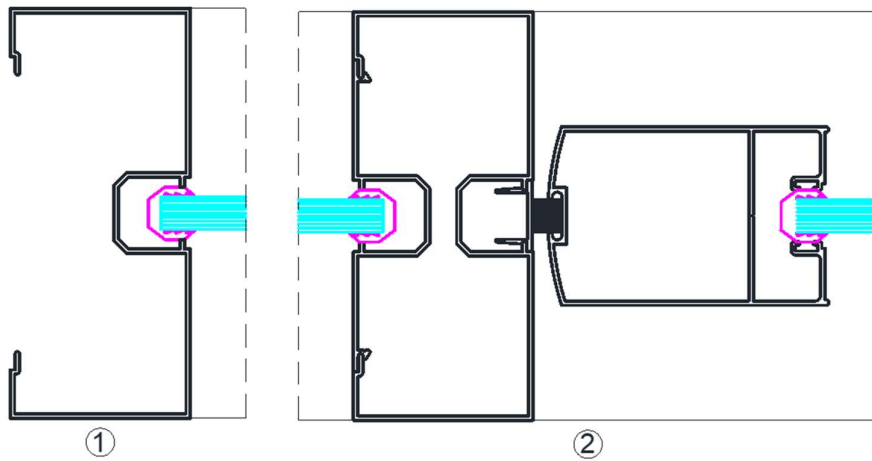
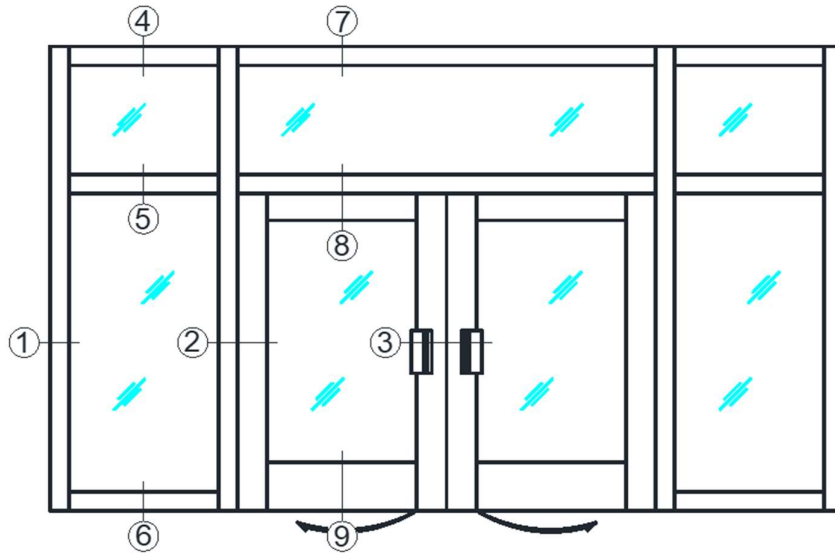
M04046

W = 0.699 Kg/M

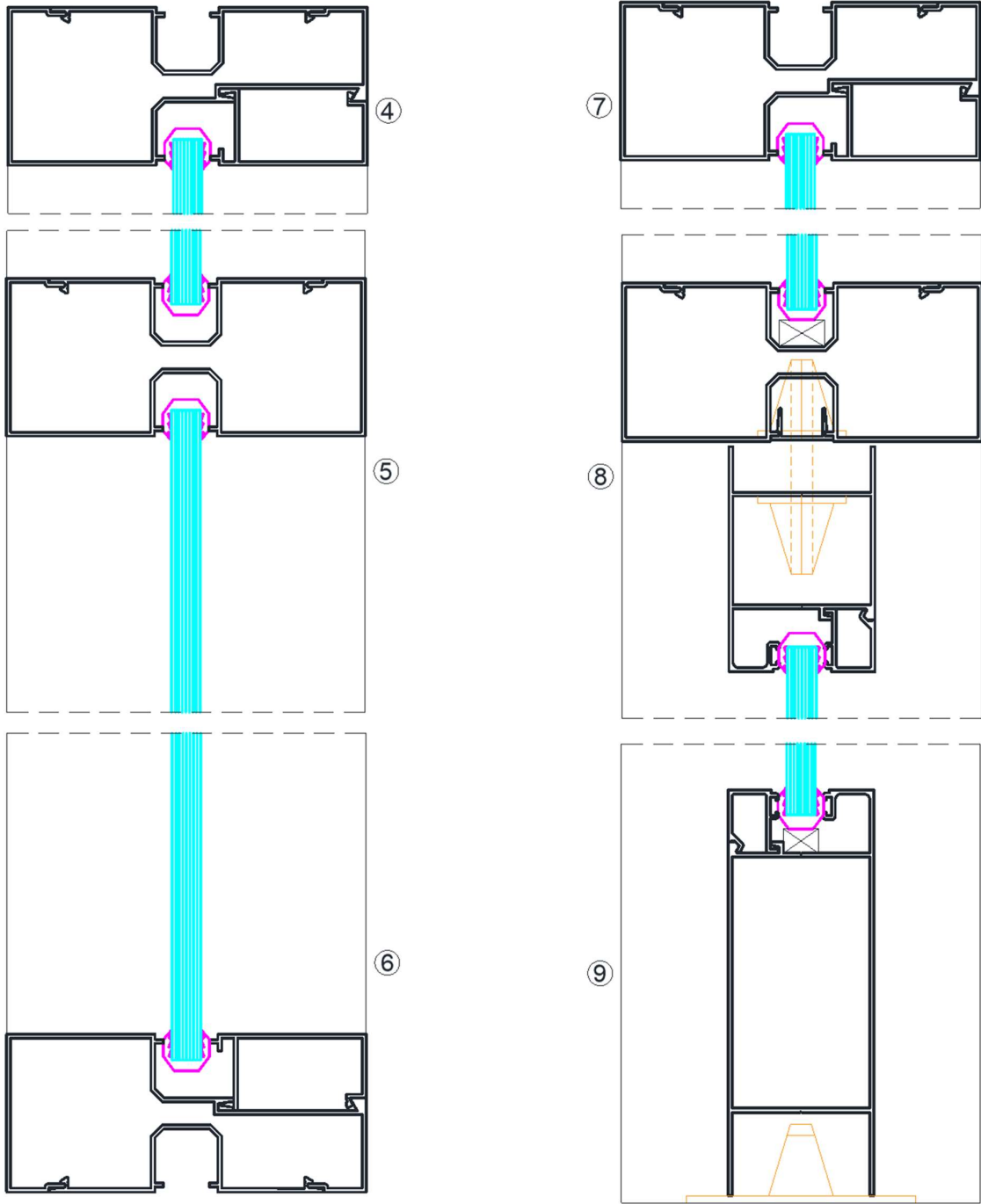
T = 1.10 MM

P = 462.950 MM

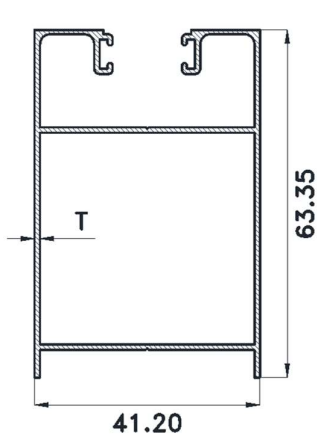
Swing Door



Swing Door

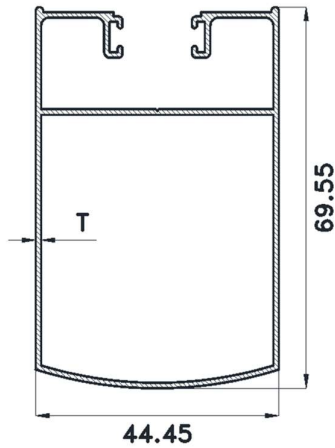


Swing Door



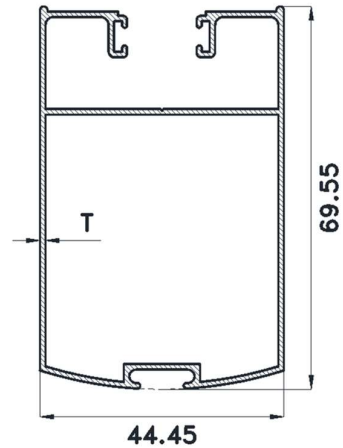
M05001

W = 0.638 Kg/M
T = 1.00 MM
P = 347.920 MM



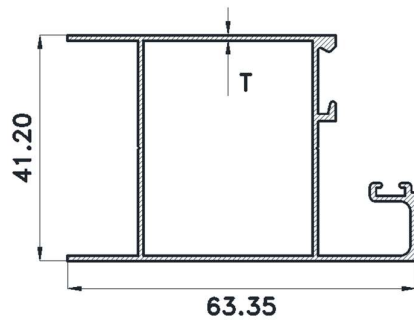
M05002

W = 0.741 Kg/M
T = 1.00 MM
P = 359.650 MM



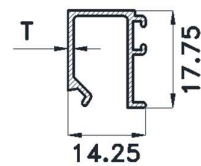
M05003

W = 0.772 Kg/M
T = 1.00 MM
P = 371.530 MM



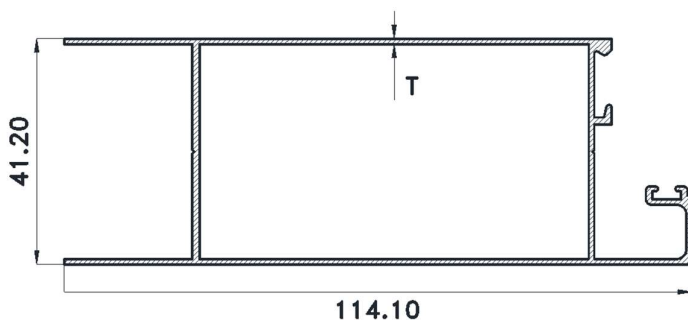
M05004

W = 0.619 Kg/M
T = 1.00 MM
P = 298.480 MM



M05006

W = 0.152 Kg/M
T = 1.00 MM
P = 111.340 MM

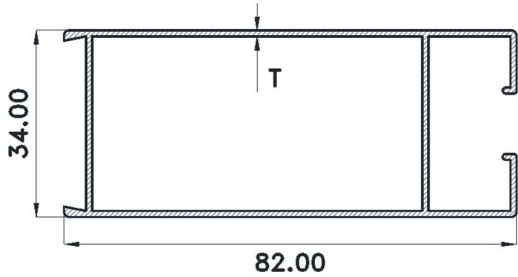


M05005

W = 0.926 Kg/M
T = 1.00 MM
P = 420.920 MM

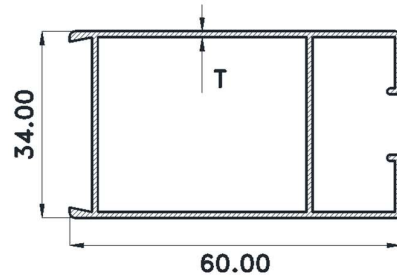


Swing Door



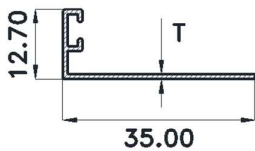
M05007

W = 0.754 Kg/M
T = 1.10 MM
P = 317.870 MM



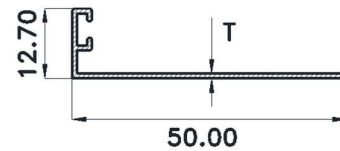
M05008

W = 0.623 Kg/M
T = 1.10 MM
P = 273.870 MM



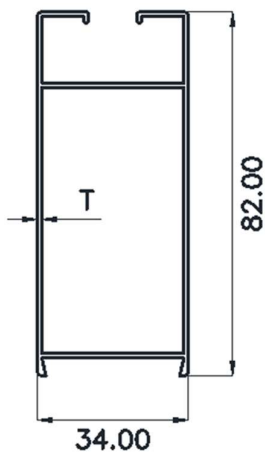
M05009

W = 0.133 Kg/M
T = 0.90 MM
P = 110.380 MM



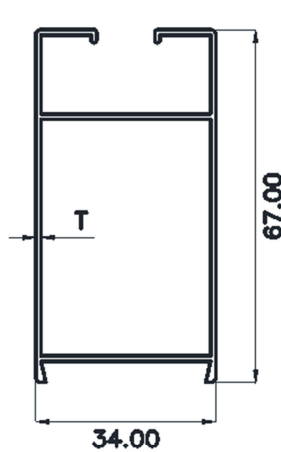
M05010

W = 0.170 Kg/M
T = 0.90 MM
P = 140.380 MM



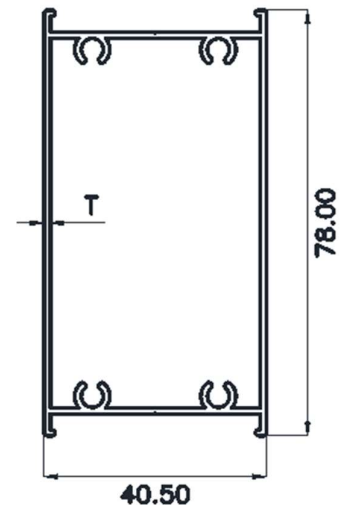
M05011

W = 0.689 Kg/M
T = 1.00 MM
P = 319.000 MM



M05012

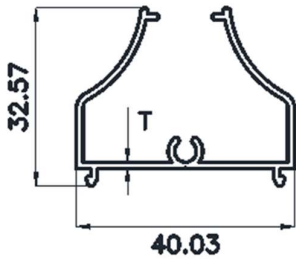
W = 0.608 Kg/M
T = 1.00 MM
P = 289.000 MM



M05013

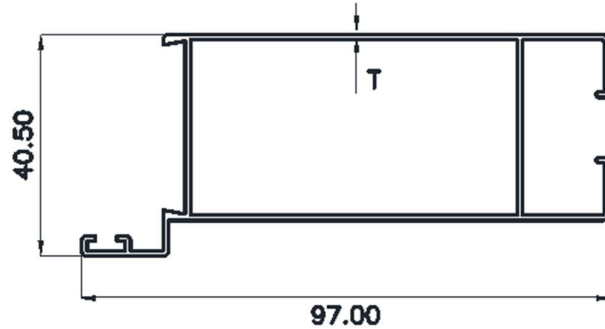
W = 0.837 Kg/M
T = 1.10 MM
P = 257.780 MM

Swing Door



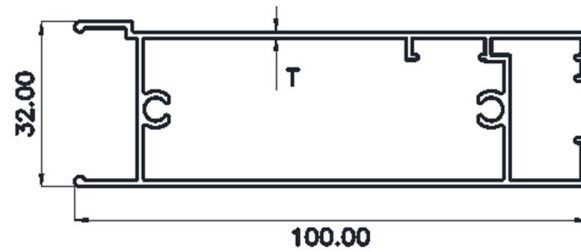
M05014

W = 0.414 Kg/M
T = 1.20 MM
P = 252.870 MM



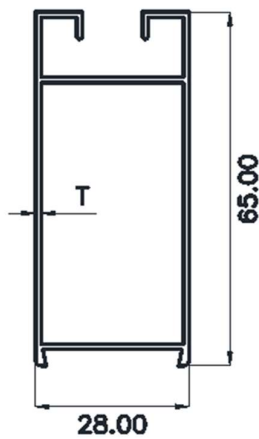
M05016

W = 0.770 Kg/M
T = 1.00 MM
P = 376.170 MM



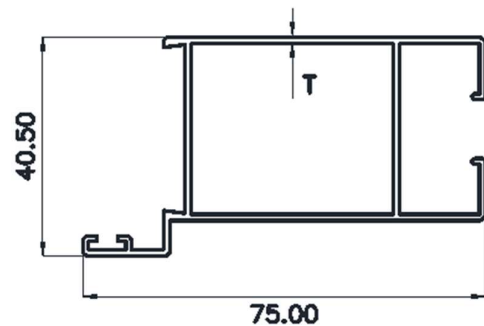
M05017

W = 1.023 Kg/M
T = 1.20 MM
P = 364.340 MM



M05015

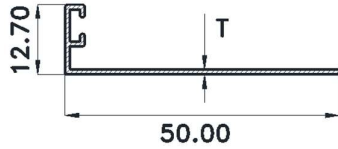
W = 0.564 Kg/M
T = 1.00 MM
P = 261.600 MM



M05018

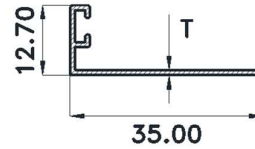
W = 0.760 Kg/M
T = 1.20 MM
P = 330.140 MM

Swing Door



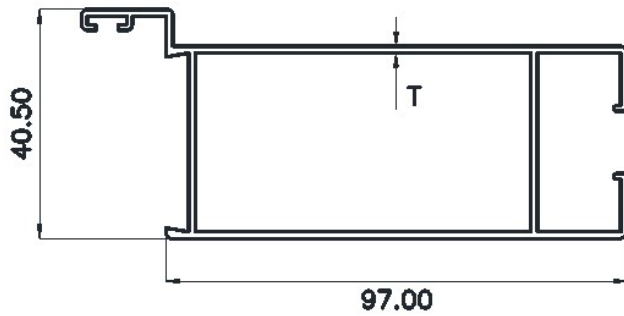
M05019

W = 0.151 Kg/M
T = 0.80 MM
P = 140.07 MM



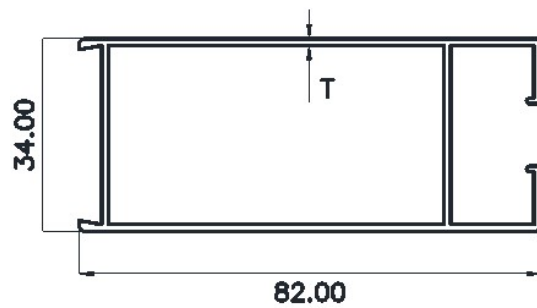
M05020

W = 0.119 Kg/M
T = 0.80 MM
P = 110.07 MM



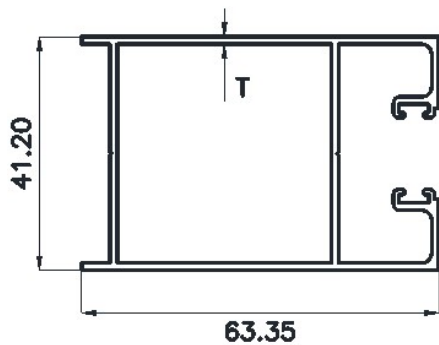
M05021

W = 0.906 Kg/M
T = 1.20 MM
P = 374.200 MM



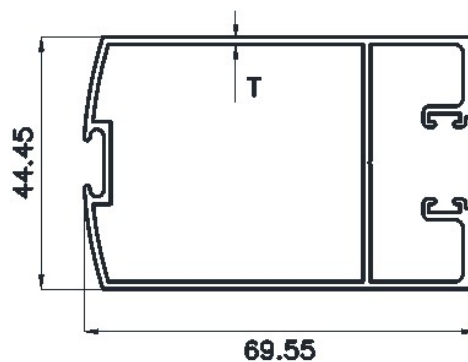
M05022

W = 0.817 Kg/M
T = 1.20 MM
P = 316.920 MM



M05023

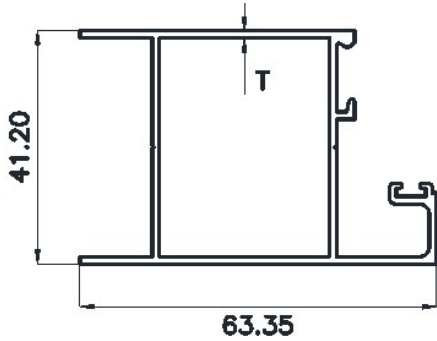
W = 0.882 Kg/M
T = 1.30 MM
P = 344.720 MM



M05024

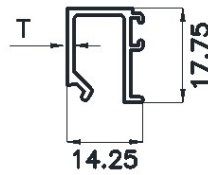
W = 0.978 Kg/M
T = 1.30 MM
P = 369.120 MM

Swing Door



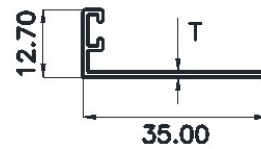
M05025

W = 0.781 Kg/M
T = 1.30 MM
P = 297.280 MM



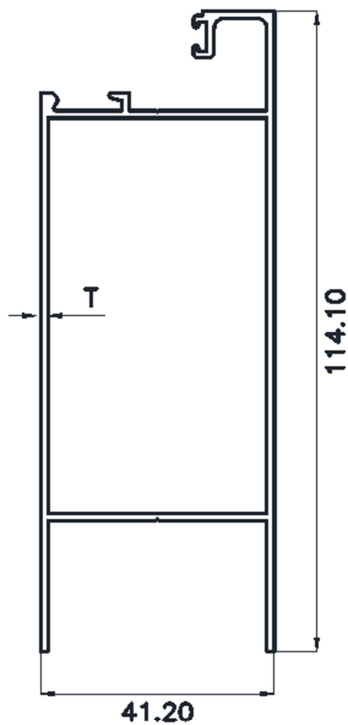
M05027

W = 0.188 Kg/M
T = 1.30 MM
P = 110.600 MM



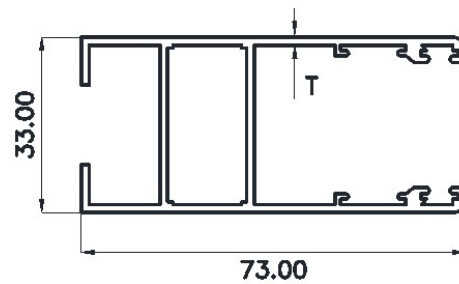
M05028

W = 0.148 Kg/M
T = 1.00 MM
P = 110.700 MM



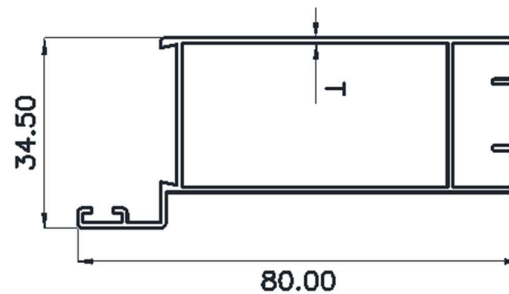
M05026

W = 1.139 Kg/M
T = 1.30 MM
P = 419.720 MM



M05029

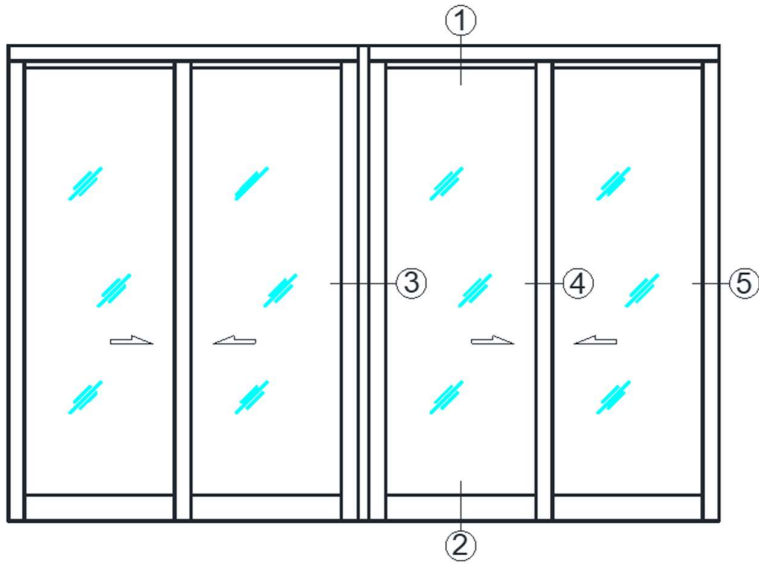
W = 1.005 Kg/M
T = 1.50 MM
P = 405.400 MM



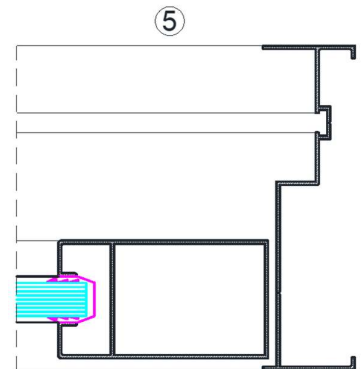
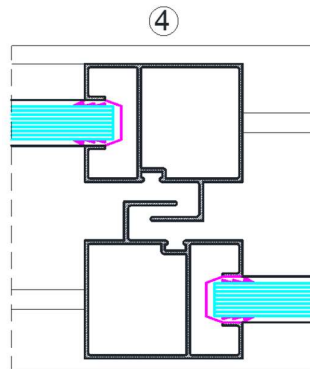
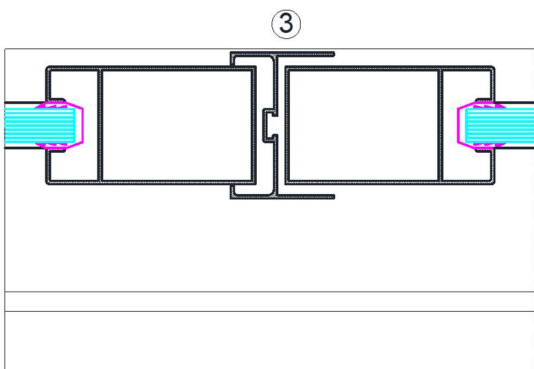
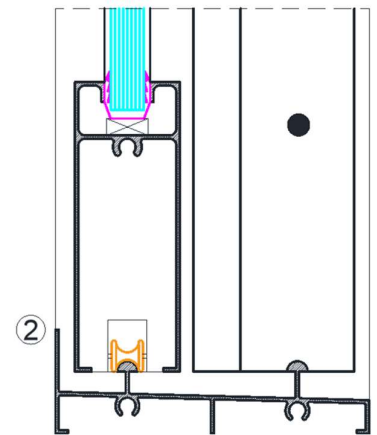
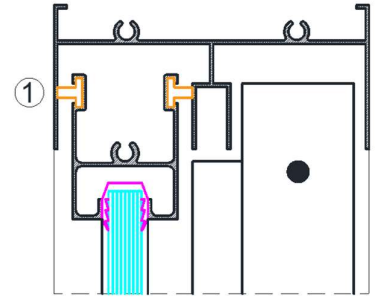
M05031

W = 0.643 Kg/M
T = 1.00 MM
P = 320.110 MM

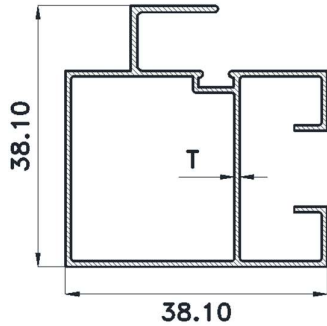
Sliding Door



Assembly

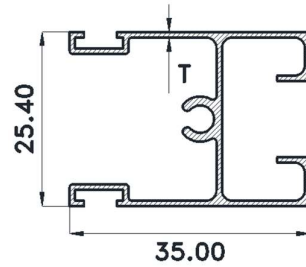


Sliding Door



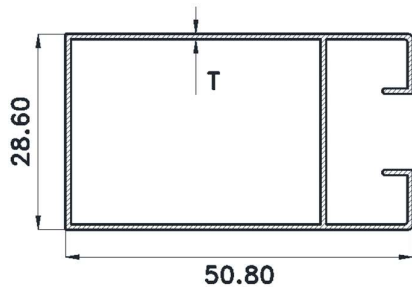
M06001

W = 0.400 Kg/M
T = 0.80 MM
P = 253.300 MM



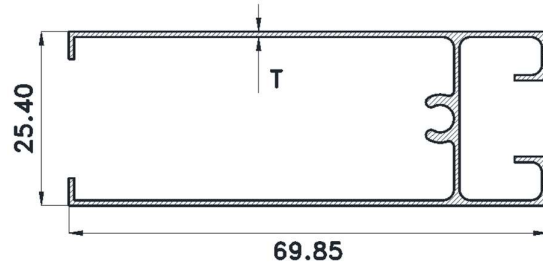
M06003

W = 0.329 Kg/M
T = 0.80 MM
P = 269.920 MM



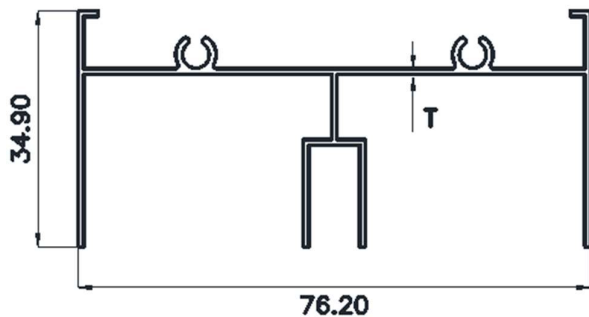
M06002

W = 0.387 Kg/M
T = 0.80 MM
P = 229.040 MM



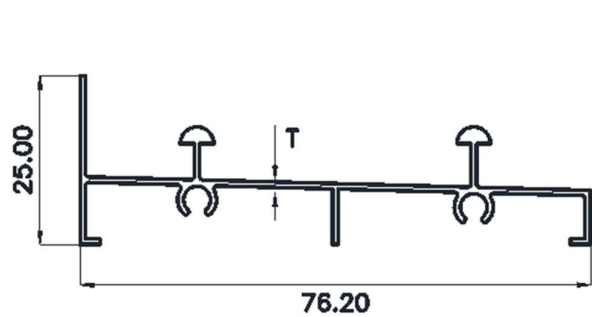
M06004

W = 0.461 Kg/M
T = 0.80 MM
P = 390.670 MM



M06006

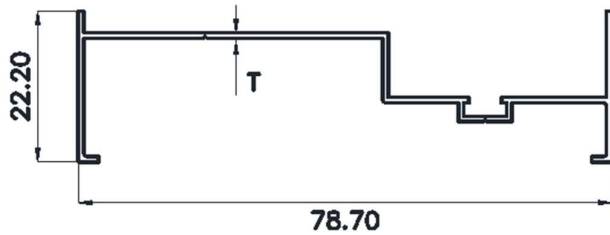
W = 0.489 Kg/M
T = 0.80 MM
P = 432.030 MM



M06007

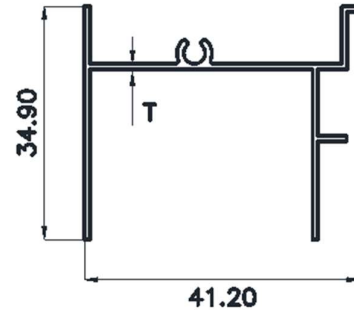
W = 0.392 Kg/M
T = 0.80 MM
P = 319.09 MM

Sliding Door



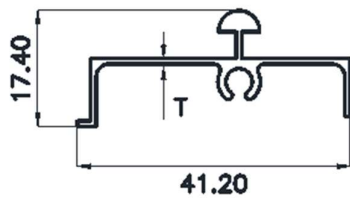
M06008

W = 0.302 Kg/M
T = 0.80 MM
P = 286.320 MM



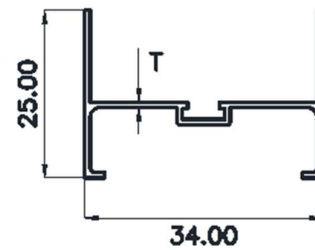
M06009

W = 0.268 Kg/M
T = 0.80 MM
P = 241.700 MM



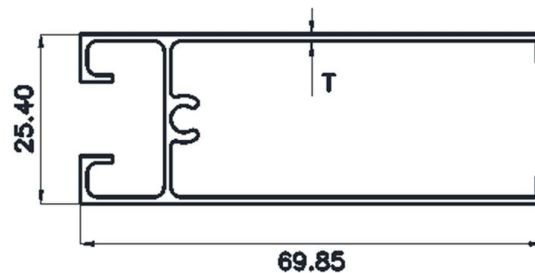
M06010

W = 0.229 Kg/M
T = 0.80 MM
P = 157.880 MM



M06011

W = 0.210 Kg/M
T = 0.80 MM
P = 189.640 MM



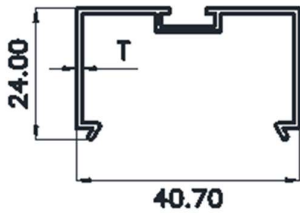
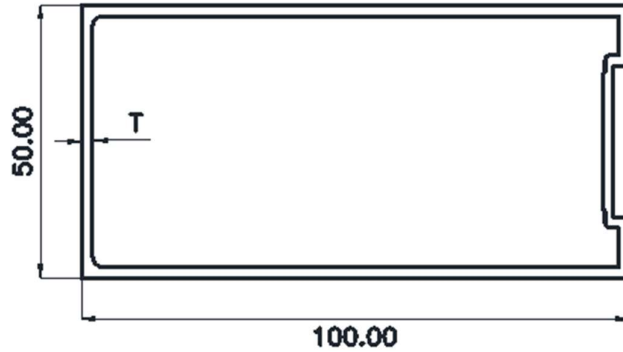
M06012

W = 0.561 Kg/M
T = 1.00 MM
P = 387.870 MM

Curtain Wall

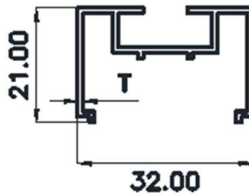
M07002

W = 1.596 Kg/M
T = 2.00 MM
P = 306.000 MM



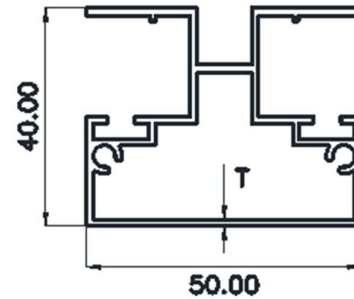
M07003

W = 0.279 Kg/M
T = 1.00 MM
P = 206.630 MM



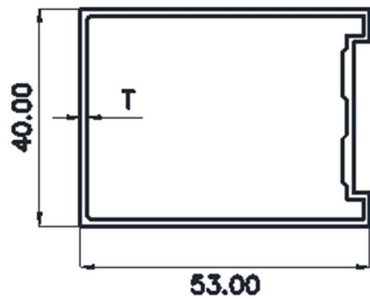
M07004

W = 0.276 Kg/M
T = 1.00 MM
P = 205.800 MM



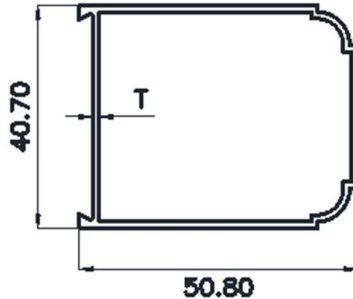
M07005

W = 0.831 Kg/M
T = 1.20 MM
P = 317.400 MM



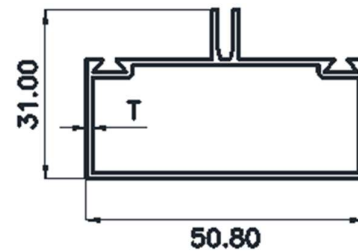
M07006

W = 0.676 Kg/M
T = 1.30 MM
P = 192.000 MM



M07007

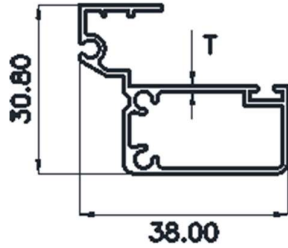
W = 0.575 Kg/M
T = 1.20 MM
P = 185.150 MM



M07008

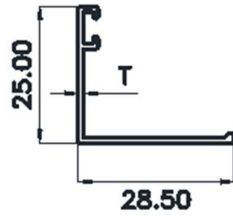
W = 0.510 Kg/M
T = 1.10 MM
P = 199.900 MM

Curtain Wall



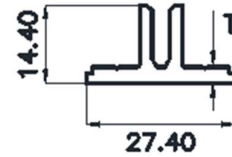
M07009

W = 0.413 Kg/M
T = 1.00 MM
P = 183.200 MM



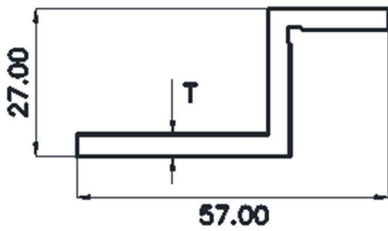
M07010

W = 0.167 Kg/M
T = 1.00 MM
P = 121.980 MM



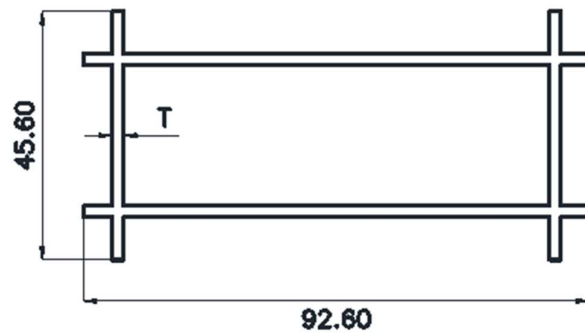
M07011

W = 0.358 Kg/M
T = 3.00 MM
P = 104.030 MM



M07012

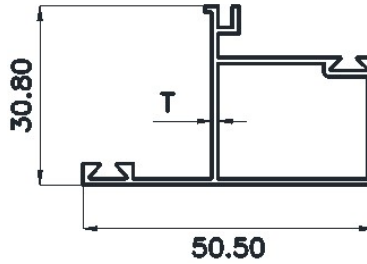
W = 0.860 Kg/M
T = 4.00 MM
P = 169.410 MM



M07013

W = 1.455 Kg/M
T = 2.00 MM
P = 329.20 MM

Curtain Wall

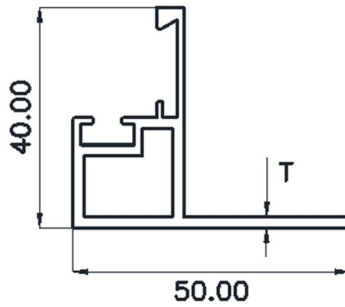


M07014

W = 0.450 Kg/M

T = 1.10 MM

P = 204.180 MM



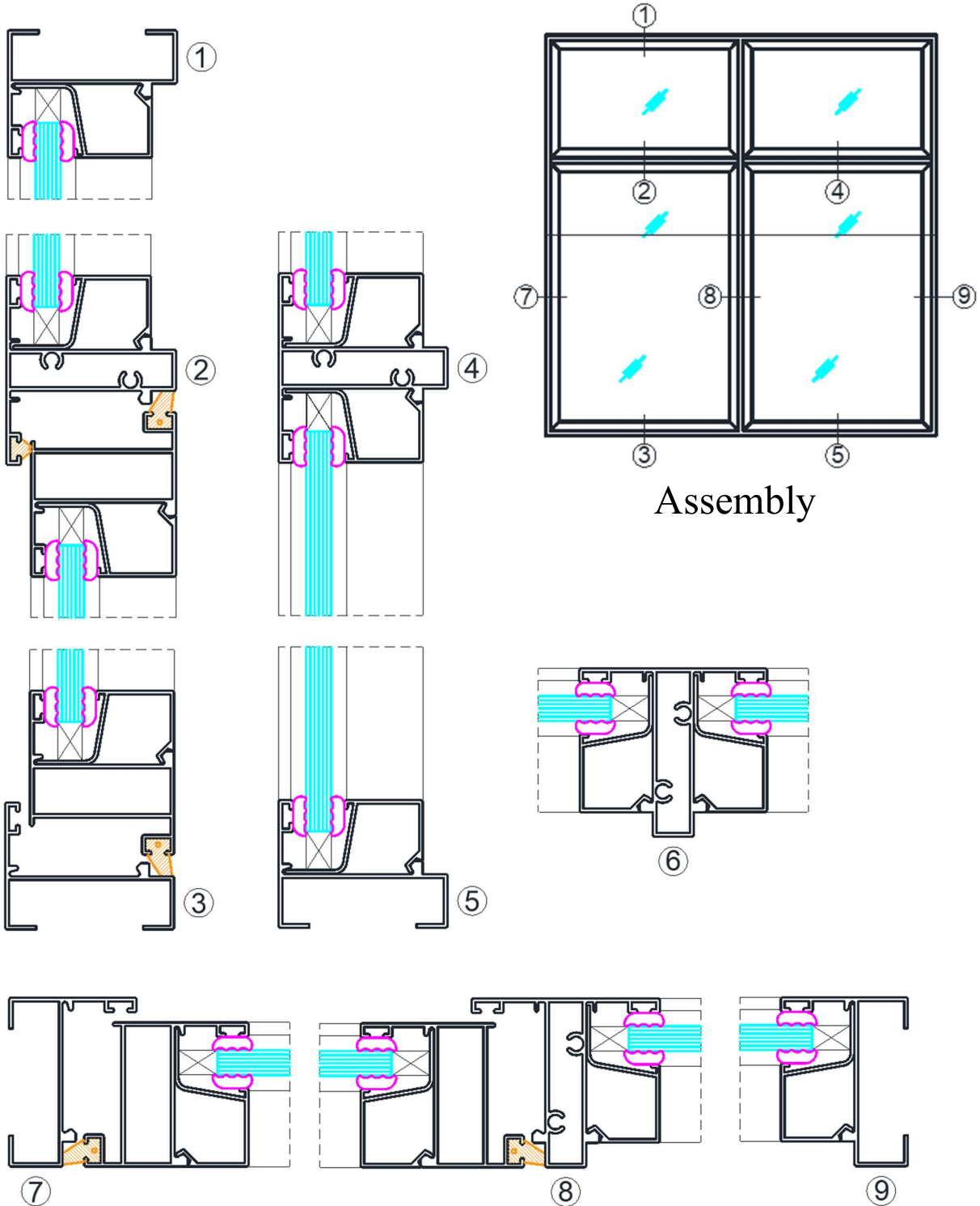
M07018

W = 0.685 Kg/M

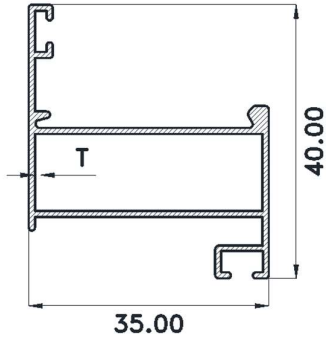
T = 2.00 MM

P = 276.476 MM

Casement Windows

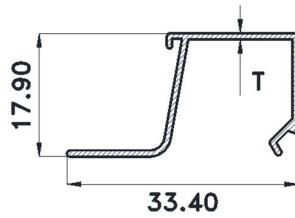


Casement Windows



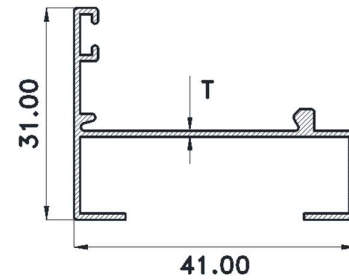
M08001

W = 0.373 Kg/M
T = 0.90 MM
P = 203.670 MM



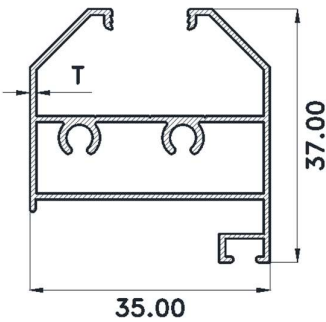
M08002

W = 0.168 Kg/M
T = 0.90 MM
P = 139.600 MM



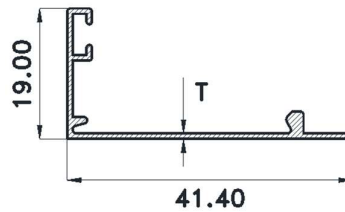
M08003

W = 0.284 Kg/M
T = 0.90 MM
P = 217.790 MM



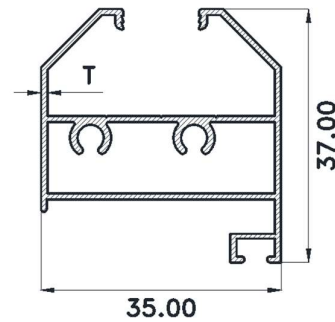
M08004

W = 0.457 Kg/M
T = 0.90 MM
P = 236.150 MM



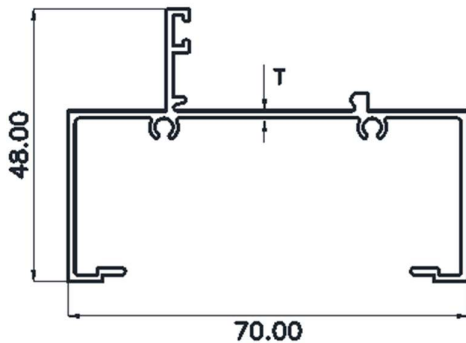
M08005

W = 0.168 Kg/M
T = 0.80 MM
P = 145.960 MM



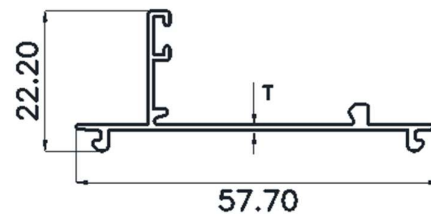
M08006

W = 0.359 Kg/M
T = 0.70 MM
P = 237.910 MM



M08007

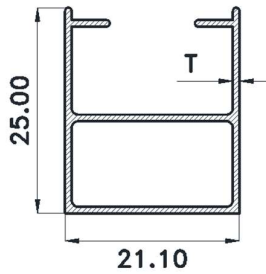
W = 0.508 Kg/M
T = 0.90 MM
P = 384.270 MM



M08008

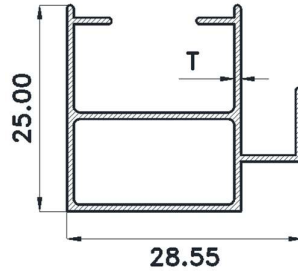
W = 0.261 Kg/M
T = 0.90 MM
P = 191.100 MM

Sliding Windows



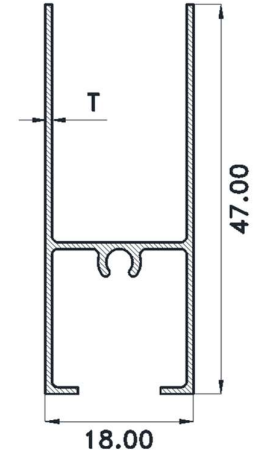
M09001

W = 0.214 Kg/M
T = 0.80 MM
P = 134.550 MM



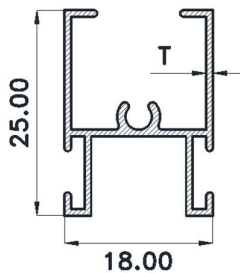
M09002

W = 0.248 Kg/M
T = 0.80 MM
P = 165.290 MM



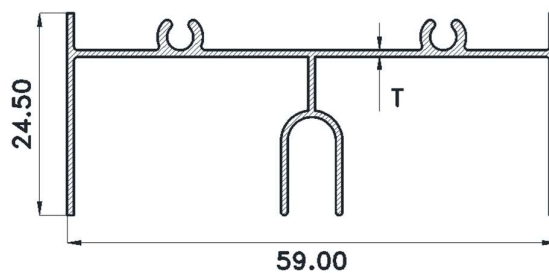
M09003

W = 0.277 Kg/M
T = 0.80 MM
P = 244.130 MM



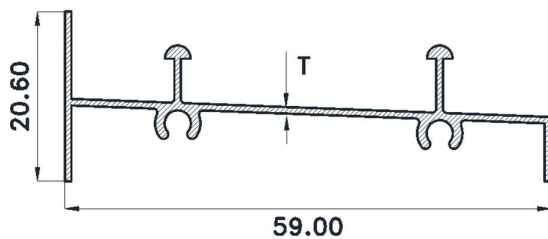
M09004

W = 0.204 Kg/M
T = 0.80 MM
P = 181.790 MM



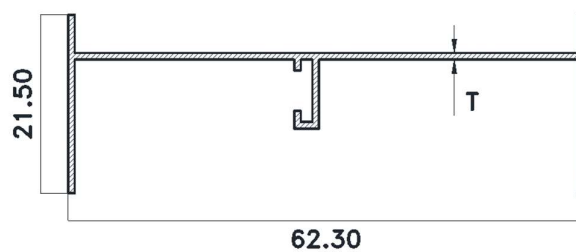
M09005

W = 0.358 Kg/M
T = 0.80 MM
P = 308.440 MM



M09006

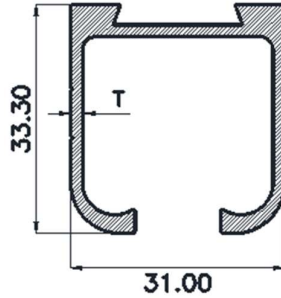
W = 0.285 Kg/M
T = 0.80 MM
P = 233.780 MM



M09007

W = 0.253 Kg/M
T = 0.80 MM
P = 235.180 MM

Rail & Bracket

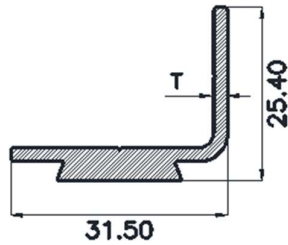


M18001

W = 0.598 Kg/M

T = 1.70 MM

P = 214.290 MM



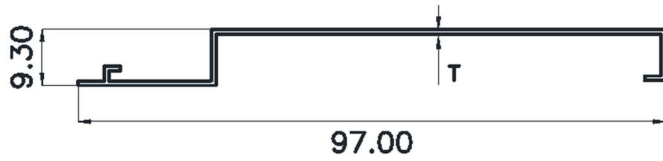
M18002

W = 0.598 Kg/M

T = 2.00 MM

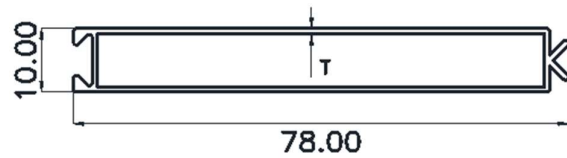
P = 112.450 MM

Spandrel & Lourke



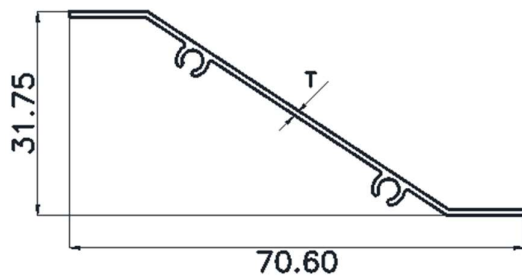
M20001

W = 0.255 Kg/M
T = 0.80 MM
P = 242.100 MM



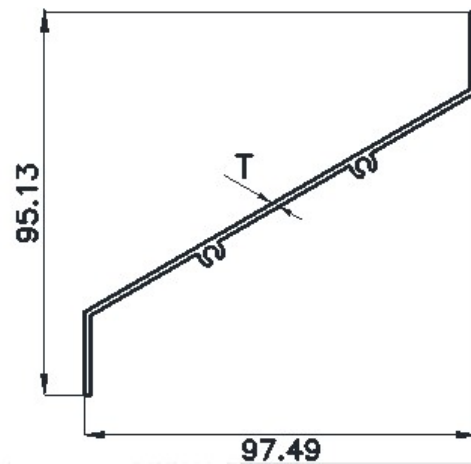
M20002

W = 0.398 Kg/M
T = 0.80 MM
P = 192.670 MM



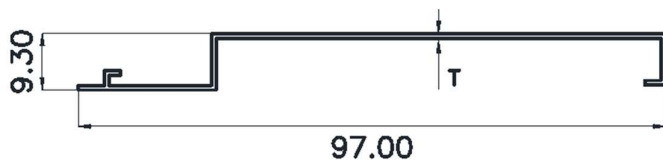
M20004

W = 0.234 Kg/M
T = 0.90 MM
P = 187.060 MM



M20005

W = 0.456 Kg/M
T = 1.00 MM
P = 327.540 MM



M20006

W = 0.245 Kg/M
T = 0.75 MM
P = 242.200 MM

Spandrel & Lourse



M20007

W = 0.303 Kg/M

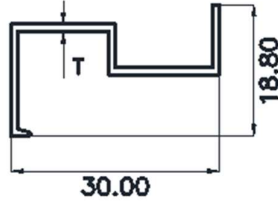
T = 0.70 MM

P = 320.740 MM



TINGKAT KOMPONEN DALAM NEGERI

Stiffener

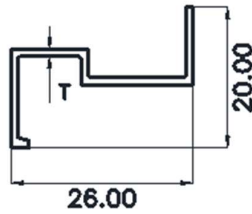


M21001

W = 0.158 Kg/M

T = 1.00 MM

P = 125.600 MM



M21002

W = 0.149 Kg/M

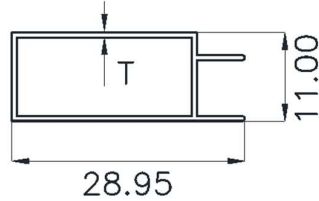
T = 1.00 MM

P = 109.722 MM

Showcase

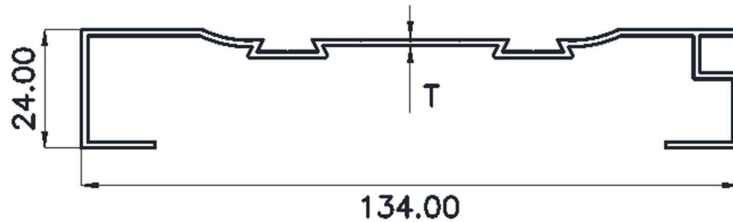


Showcase



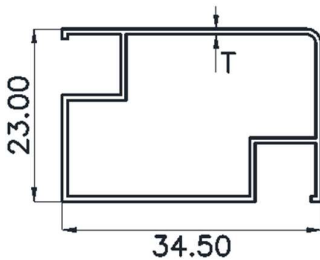
M25004

W = 0.126 Kg/M
T = 0.60 MM
P = 91.285 MM



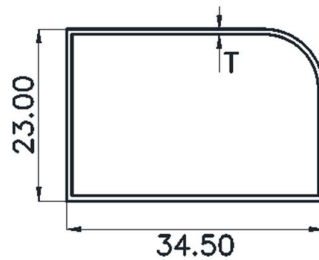
M23005

W = 0.443 Kg/M
T = 0.70 MM
P = 467.393 MM



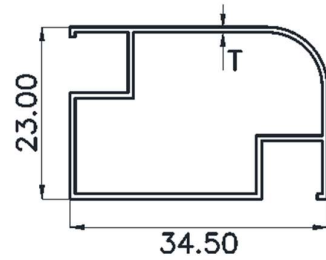
M25006

W = 0.243 Kg/M
T = 0.70 MM
P = 147.941 MM



M25007

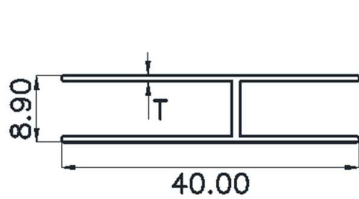
W = 0.207 Kg/M
T = 0.70 MM
P = 111.566 MM



M25008

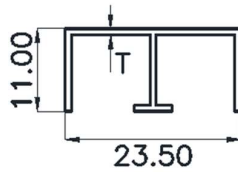
W = 0.239 Kg/M
T = 0.70 MM
P = 145.366 MM

Showcase



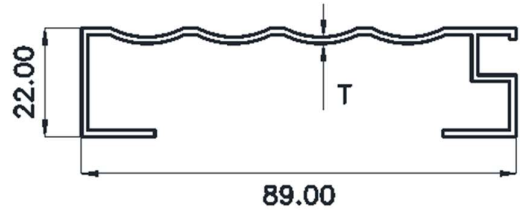
M25009

W = 0.194 Kg/M
T = 0.80 MM
P = 174.230 MM



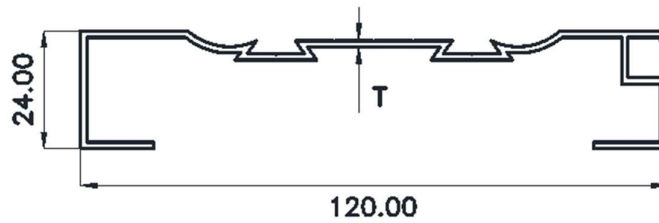
M25010

W = 0.126 Kg/M
T = 0.80 MM
P = 118.200 MM



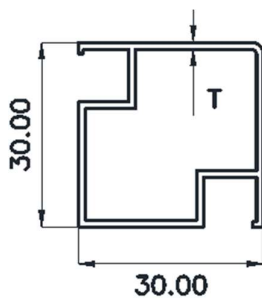
M25011

W = 0.329 Kg/M
T = 0.70 MM
P = 343.380 MM



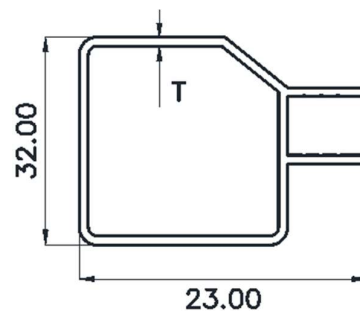
M25012

W = 0.485 Kg/M
T = 0.80 MM
P = 450.330 MM



M25013

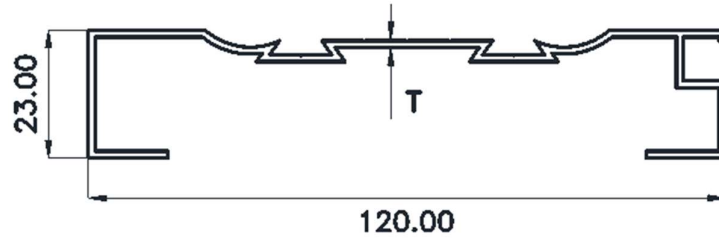
W = 0.290 Kg/M
T = 0.80 MM
P = 154.340 MM



M25014

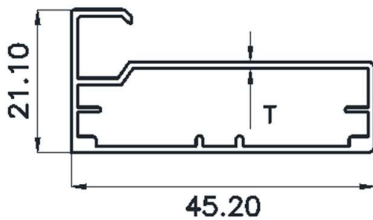
W = 0.192 Kg/M
T = 0.70 MM
P = 121.385 MM

Showcase



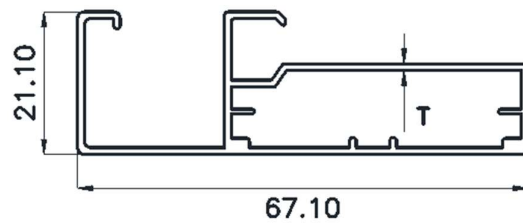
M25015

W = 0.457 Kg/M
T = 0.80 MM
P = 424.270 MM



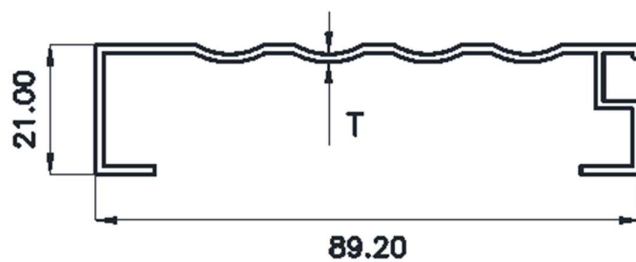
M25016

W = 0.393 Kg/M
T = 1.00 MM
P = 151.612 MM



M25017

W = 0.525 Kg/M
T = 1.00 MM
P = 246.737 MM



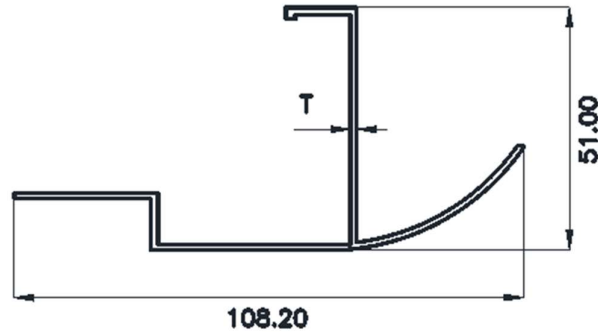
M25018

W = 0.297 Kg/M
T = 0.70 MM
P = 314.279 MM

Karoseri



Karoseri

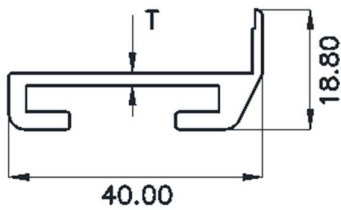


M23005

W = 0.644 Kg/M

T = 1.10 MM

P = 381.813 MM

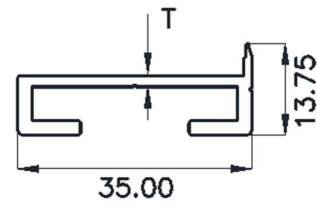


M23006

W = 0.466 Kg/M

T = 1.90 MM

P = 152.093 MM

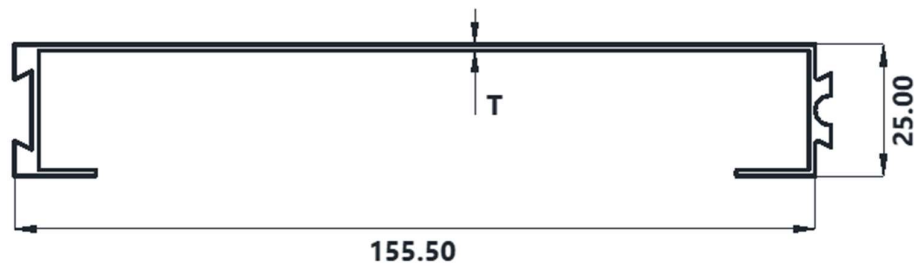


M23007

W = 0.345 Kg/M

T = 2.10 MM

P = 139.188 MM



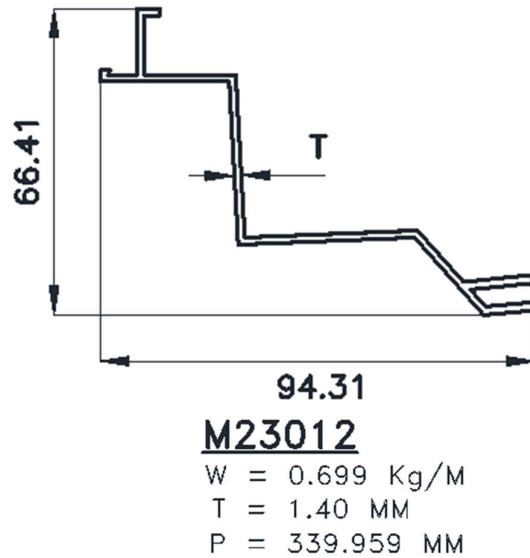
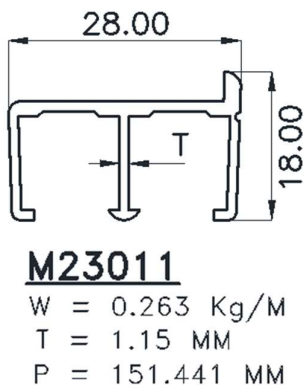
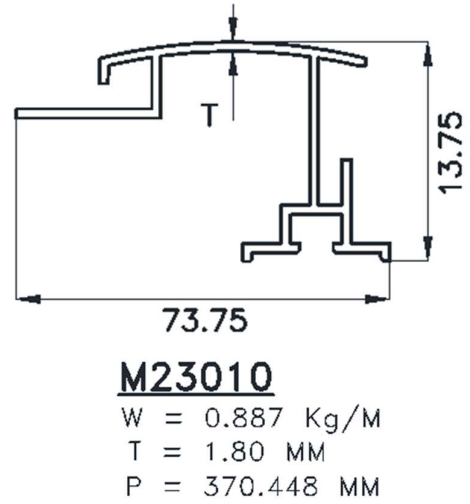
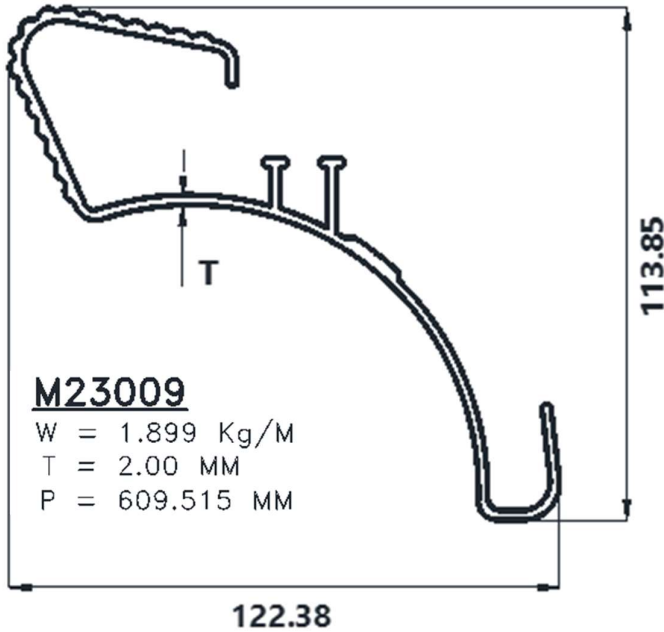
M23008

W = 0.869 Kg/M

T = 1.13 MM

P = 474.709 MM

Karoseri



2026 ●●●



THANK
YOU



 +62 822-9595-8008

 0291-5900847

 aimexaluminium

 aimextrusion.com

 Aimex Aluminium Extrusion

Jl. Ngabul - Batealit, RT.003/RW.001, Godang, Mindahan, Kec. Batealit,
Kab. Jepara, Jawa Tengah (59461)

