

NHB Plus Precision Balance

Affordable Balance with High Accuracy



Features



* High resolution, upgrade up to 1/600,000

The NHB series combines the latest weighing chip with new developed software offering a competitive performance weighing, internal resolution is up to 4 million counts, external resolution is up to 600,000 divisions.

* Powerful Back Office Management Software

The management software can display the weight in real time, and can be used as a remote device to perform ZERO and TARE operation. It provide users to manage the PLU, user and customer information, ect. Transferring the weighing data from scales through the method of manual, automatic or time interval.

* Higher Cost Performance

We break the technical bottleneck in traditional analog load cell and offer the advantage of comprehensive linearity and temperature compensation, which provide users competitive performance at an economical price.

* Multiple Use For a Variety of Applications

NHB series offering high accuracy and repeatability for applications in laboratory, industrial and education settings.



HBM High Precision Load Cell

The balance is equipped with HBM high precision load cell, it is extremely accurate and durable, ensures that the balance provide a reliable results.



Easy Communication

Multiple connectivity options, RS-232 and USB device ports, Bluetooth and provide versatility and flexibility for a variety of applications.

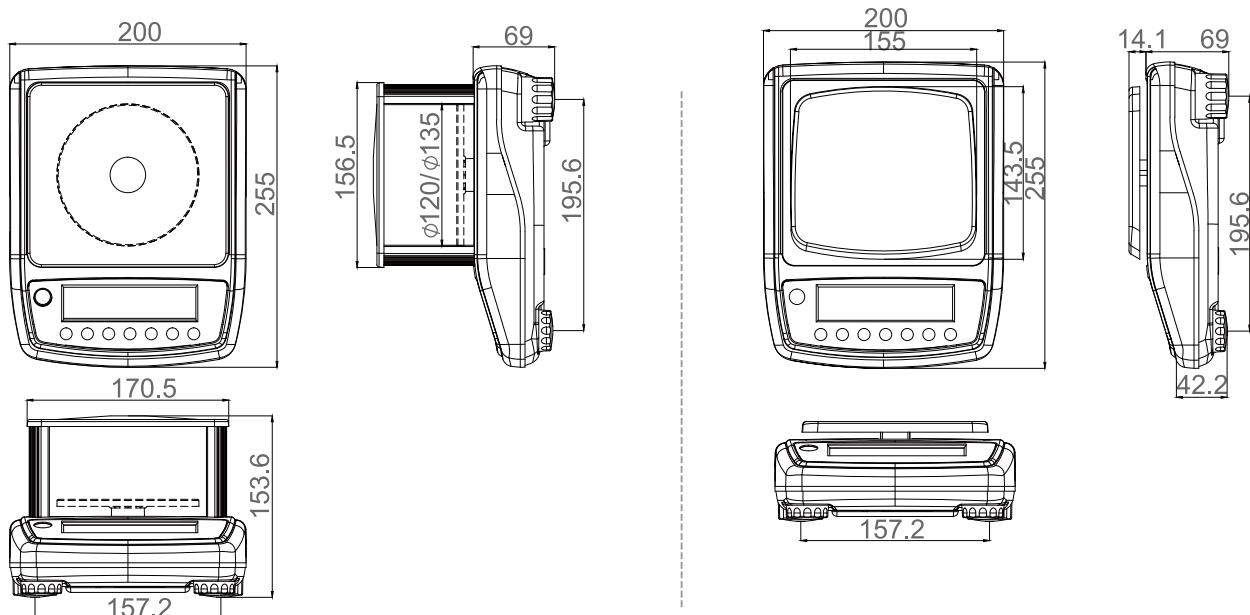
NHB Plus Precision Balance

Technical Data



Item	Specification									
Model	NHB-Plus II-300	NHB-Plus II-600	NHB-Plus II-1500	NHB-Plus II-3000	NHB-Plus II-6000	NHB-Plus III-600	NHB-Plus III-1500	NHB-Plus III-3000	NHB-Plus III-6000	
Capacity	300g	600g	1500g	3000g	6000g	600g	1500g	3000g	6000g	
Readability	1mg	2mg	5mg	10mg	20mg	1mg	2mg	5mg	10mg	
Max. Divisions	300,000d					600,000d				
Pan size	Φ120mm		Φ135mm		140x150mm	Φ120mm		Φ135mm		140x150mm
Wind shield	YES				NO	YES				NO
Power supply	Input : 100~240VAC 50~60Hz									
	Output : DC 12V 500mA									
Battery	6V 1.2Ah rechargeable battery									
Display	16.5mm digit LCD display with white LED backlight									
Interface	DB9 RS232 port									
Housing	ABS plastic housing ; Stainless steel pan									
Keyboard	7 membrane keys									
Units	g/g(hi resolution)/ct/lb/oz/d/gn/ozt/dwt/mom/tl.t/h/tlj/t/bt/n									
Applications	Basic Weighing, Parts Counting, Percent Weighing, Accumulation									
Option	Bluetooth 5.0/USB 2.0 (type B)/Under hook									
Net weight	1.4kg		1.5kg		1.0kg	1.4kg		1.5kg		1.0kg
Gross weight	2kg		2.1kg		1.6kg	2kg		2.1kg		1.6kg
Dimension (WxDxH)	255 x 200 x 153mm				255 x 200 x 83mm	255 x 200 x 153mm				255 x 200 x 83mm
Operating Conditions	Temperature : 5°C~35°C , Humidity : 5%~85% R.H..									

Dimension(mm)



* Specifications are subject to change without notice