

## PLATFORM SCALES

# CI-120A



### Introduction to CI-120A weighing instrument

With various power supply options, the CI-120A series is highly portable and ideal for environments where power outlets are not available, or power outages often occur.

It features large LED display, various weighing functions and communication interfaces.

Build-in light alarm (High / OK / Low), Supports up to eight analog or digital Load Cells.



## High-Visibility display



Build-in Alarm Light  
(High Mid Low)



Green LED Display



## Various Communication Interfaces

Standard : RS-232C  
Option : RS-422, RS-485, Wi-Fi,  
Bluetooth Interface



AC 220V or  
Rechargeable battery 6V, 4A

## FEATURES OF INDICATOR

- Simple and prompt full digital calibration
- High A/D conversion speed (80 times/sec)
- Maximum external resolution 1/150,000
- Various power supplies  
(AC 220V or Rechargeable battery 6V, 4A)
- 8 Load Cell support
- 48mm Large Display
- Weight Comparison Light Alarm (High / OK / Low)
- Weight Comparison Sound Alarm (High, Low or OK)
- Low Battery Alarm
- Display brightness adjustment (8 Step)
- Show the counting of weight measurements (9,999 times)
- Show cumulative total weight (6 DIGIT)
- Standard Interface : RS-232C
- Expanded Piece Counting Function

## OPTIONS

- RS-422, RS-485, Wi-Fi, Bluetooth Interface
- Digital Load Cell Transmitter
- Printer
- Remote display

## APPLICATIONS

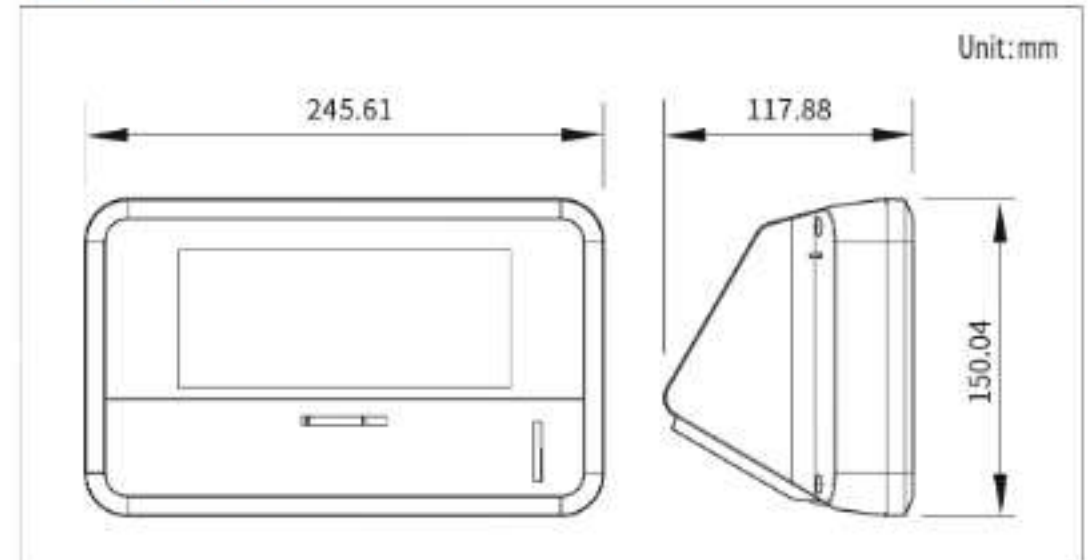
- Connect to Weighing Software



## SPECIFICATIONS

<b>Capacity</b>	150kg, 300kg, 600kg
<b>Platform Size</b>	450 x 600mm, 550 x 600mm, 600 x 800mm
<b>Platform Material</b>	Mild Steel
<b>Platform Thickness</b>	2mm, 3mm

## Dimension



CAS Global Homepage

### CAS CORPORATION

CAS BLDG., 1315, YANGJAE-DAERO  
GANGDONG-GU, SEOUL, KOREA  
TEL\_82 2 2225 3500 / FAX\_82 2 475 4668

www.globalcas.com



\* Specifications are subject to change without notice improvement.

