

Weighing Instrument

CI-120A



Introduction to CI-120A weighing instrument

With various power supply options, the CI-120A series is highly portable and ideal for environments where power outlets are not available, or power outages often occur.

It features large LED display, various weighing functions and communication interfaces.

Build-in light alarm (High / OK / Low), Supports up to eight analog or digital Load Cells.



Weighing Instrument

CI-120A

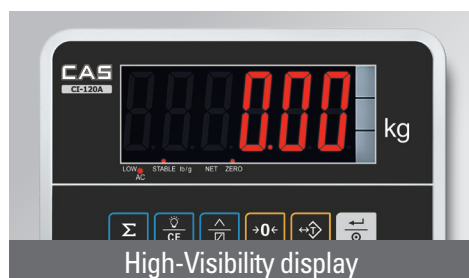


Introduction to CI-120A weighing instrument

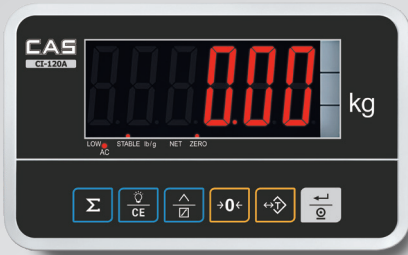
With various power supply options, the CI-120A series is highly portable and ideal for environments where power outlets are not available, or power outages often occur.

It features large LED display, various weighing functions and communication interfaces.

Build-in light alarm (High / OK / Low), Supports up to eight analog or digital Load Cells.



High-Visibility display



Build-in Alarm Light
(High Mid Low)



Green LED Display



Various Communication Interfaces

Standard : RS-232C
Option : RS-422, RS-485, Wi-Fi,
Bluetooth Interface



AC 220V or
Rechargeable battery 6V, 4A

FEATURES

- Simple and prompt full digital calibration
- High A/D conversion speed (80 times/sec)
- Maximum external resolution 1/150,000
- Various power supplies
(AC 220V or Rechargeable battery 6V, 4A)
- 8 Load Cell support
- 48mm Large Display
- Weight Comparison Light Alarm (High / OK / Low)
- Weight Comparison Sound Alarm (High, Low or OK)
- Low Battery Alarm
- Display brightness adjustment (8 Step)
- Show the counting of weight measurements (9,999 times)
- Show cumulative total weight (6 DIGIT)
- Standard Interface : RS-232C
- Expanded Piece Counting Function

OPTIONS

- RS-422, RS-485, Wi-Fi, Bluetooth Interface
- Digital Load Cell Transmitter
- Printer
- Remote display

APPLICATIONS

- Various measuring equipment
- Platform scales
- Truck scales



Various Platform Size



Platform scales

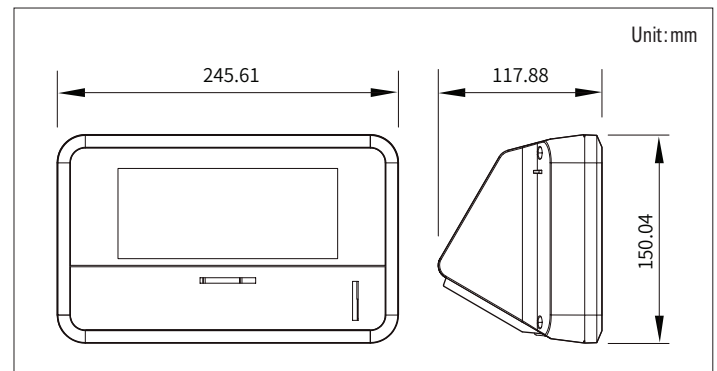


Truck scales

SPECIFICATIONS

Model	CI-120A
Accuracy level	Level 3
Sensor type	Analog or digital
AD conversion rate	10Hz
Maximum external resolution	1 / 150000
Power supply	220V / 50Hz (built-in transformer)
Power indication	Color changeable traffic light
Battery	6v4a lead acid battery
Display mode	LED digital display, word height about 48mm
Unit selection	kg
Operating temperature	0~40 °C
Extended function	4G, RS485, RS232, Bluetooth, WIFI, Large screen
Standard	Three-color light
Used in	Platform scale
Operation interface	It has the function of rechecking the cumulative count

Dimension



CAS Global Homepage

CAS CORPORATION

CAS BLDG., 1315, YANGJAE-DAERO
GANGDONG-GU, SEOUL, KOREA
TEL_82 2 2225 3500 / FAX_82 2 475 4668

www.globalcas.com



* Specifications are subject to change without notice improvement.

