

# HS ATTACHMENTS-HS GROUP

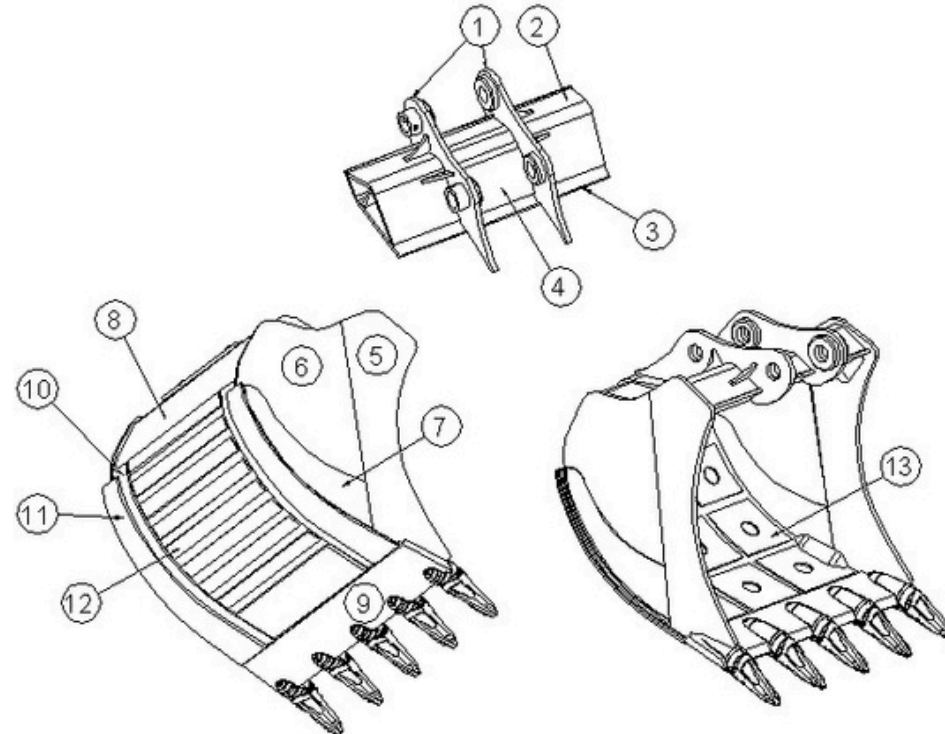
## BUCKET SPECIFICATION

|               |                      |
|---------------|----------------------|
| MACHINE MODEL | HS BUCKET 40 -46 T   |
| SERIES        | HS 40 T Series HEAVY |
| SPECIFICATION | DUTY                 |



## MATERIAL COMPOSITION

| No | Description        | Material      | Thickness (mm) | Explanation |
|----|--------------------|---------------|----------------|-------------|
| 1  |                    | S355JR2       |                |             |
| 2  | HINGE PLATE        | S355JR2       | 40             | ARCELOR     |
| 3  | HINGE SIDE RL-LH   | S355JR2       | 25             | ARCELOR     |
| 4  | HINGE BOTTOM       | S355JR2       | 25             | ARCELOR     |
| 5  | HINGE CENTER PLATE | HARDOX 450    | 25             | ARCELOR     |
| 6  | VERTICAL EDGE      | S355JR2       | 40             | SSAB        |
| 7  | SIDE PLATE         | HARDOX 450    | 18             | SSAB        |
| 8  | L.SIDE PROTECTION  | HARDOX 450    | 35             | SSAB        |
| 9  | BODY               | HARDOX 450    | 12             | SSAB        |
| 10 | EDGE               | HARDOX 450    | 60             | SSAB        |
| 11 | WEAR STRIPS        | HARDOX 450    | 15             | SSAB        |
| 12 | WEAR STRIPS        | HARDOX 450    | 15             | SSAB        |
| 13 | WEAR STRIPS        | HARDOX 450    | 15             | SSAB        |
| 14 | WEAR STRIPS        | HARDOX 450    | 10             | SSAB        |
| 15 | ADAPTOR            | OPTIONAL TYPE |                |             |
| 16 | TEETH              |               |                |             |
|    | LOCK               |               |                |             |



## Model Specification

|                                | HS 40-46 TL:1900 | HS 40-46 T L:1700 | HS 40-46 T L:1600 | HS 40-46 T L:1500 |
|--------------------------------|------------------|-------------------|-------------------|-------------------|
| Edge Length (mm)               | 1900             | 1700              | 1600              | 1500              |
| Capacity SAE (m <sup>3</sup> ) | 3,0              | 2,6               | 2,4               | 2,2               |
| Weight (kg)                    | 2050             | 1915              | 1840              | 1770              |
| Teeth                          | 5                | 5                 | 5                 | 5                 |