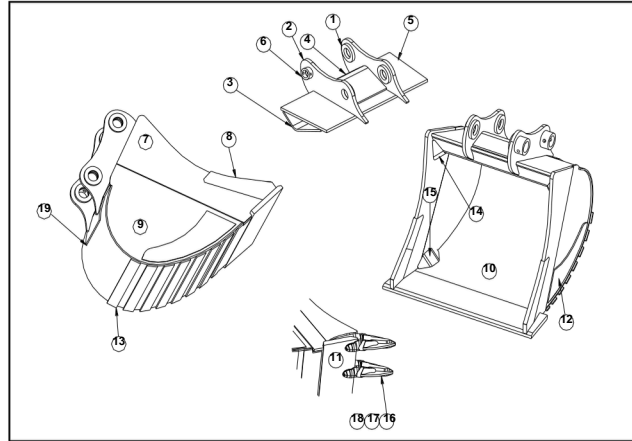


HS ATTACHMENTS

MACHINE MODEL	HS BUCKET 12-14 T HS 12-14
SERIES	T SERIES BUCKET HEAVY
SPECIFICATION	DUTY



MATERIAL COMPOSITION				
No	Description	Material	Thickness (mm)	Explanation
2	BOSS X	S355J2	13	
3	HINGE PLATE	S355J2	20	ARCELOR
4	HINGE BOTTOM BOX	S355J2	18	ARCELOR
5	HINGE CENTER PLATE	S355J2	18	ARCELOR
6	HINGE BOTTOM	C 1040	10	ARCELOR
7	BOSS Y	S355J2	55	
8	VERTICAL EDGE	HARDOX 450	25	
9	LOWER VERTICAL EDGE	S355J2	35	ARCELOR
10	SIDE WALL L-R	S355J2	35	ARCELOR
11	BODY BOTTOM	HARDOX 450	10	ARCELOR
12	EDGE	HARDOX 450	35	ARCELOR
13	SIDE PROTECTION	HARDOX 450	8	SSAB
14	WEAR STRIPS	S355J2	10	SSAB
15		S355J2	10	SSAB
16	REINFORCEMENT		10	ARCELOR
17	REINFORCEMENT			ARCELOR
18	TOOTH			
19	ADAPTER			
	LOCK			
	REINFORCEMENT	S355J2	10	ARCELOR



Model Specification

	HS 12-14 T L:700	HS 12-14 T L:800	HS 12-14 T L:900
Edge Length (mm)	700	800	900
Capacity SAE (m ³)	0,50	0,65	0,75
Weight (kg)	520	550	570
Teeth	3	4	4