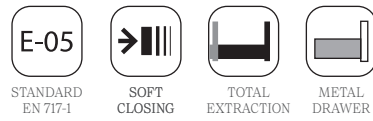


# SPIRIT - Wall-hung unit 1 drawer without pipe cut out. 600/800/1000/1200



## Exterior finishes



## Technical information

- Manufacture of doors and sides (e=16mm):
- White: Laminated particleboard lacquered with ultra-gloss UV polyester paint.
  - Mate: laminated particle board lacquered with matt water-based paint.
  - Wood: laminated particle board. PVC song "Testa" with PUR glue

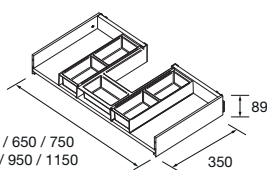
Internal structure construction (e=16mm): laminated particle board onix finish.

- \*All boards used in the manufacture of this furniture are classified as class E05 with low formaldehyde content.
- \*Edges according to design: PVC, ABS. (edged with PUR glue)

## Fittings

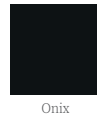
Handle: Heavy duty hanger with three independent adjustments accessible from the front. Load capacity of 70Kg.

Drawers: Grass V8 metallic drawer onix finish highend hidden runners with total extraction, soft close and Side and height adjustment. Maximum load capacity: 30 kgs.



It is necessary to assemble a drawer to be able to combine with Constanza, Vilna, Alliance, Toscana. Drawer organizer included.

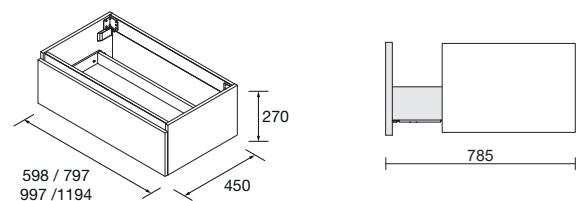
## Interior finishes



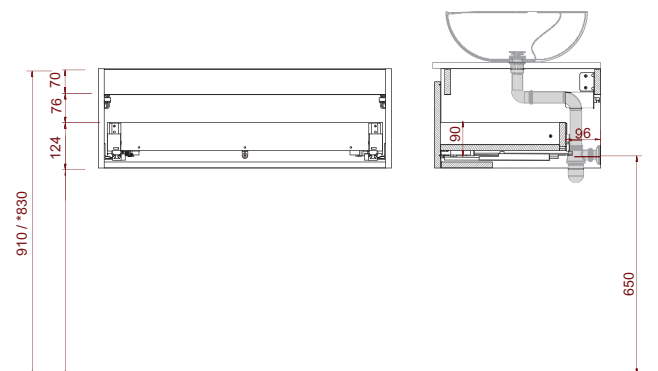
## Packaging dimensions and weight

	600	800	1000	1200
Lenght (mm)	660	860	1060	1260
Depth (mm)	510			
Height (mm)	340			
Net weight (kg)	9,3	12,4	15,5	15,9
Gross weight (kg)	12,3	15,1	17,9	18,5

## Dimensions



## Back free space for water conections



# SPIRIT - Wall-hung unit 2 drawers - 600/700/800/900/1000/1200



## Exterior finishes



## Technical information

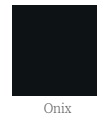
### Manufacture of doors and sides (e=16mm):

- White: Laminated particleboard lacquered with ultra-gloss UV polyester paint.
- Mate: laminated particle board lacquered with matt water-based paint.
- Wood: laminated particle board. PVC song "Testa" with PUR glue

### Internal structure construction (e=16mm): laminated particle board onix finish.

- \*All boards used in the manufacture of this furniture are classified as class E05 with low formaldehyde content.
- \*Edges according to design: PVC, ABS. (edged with PUR glue)

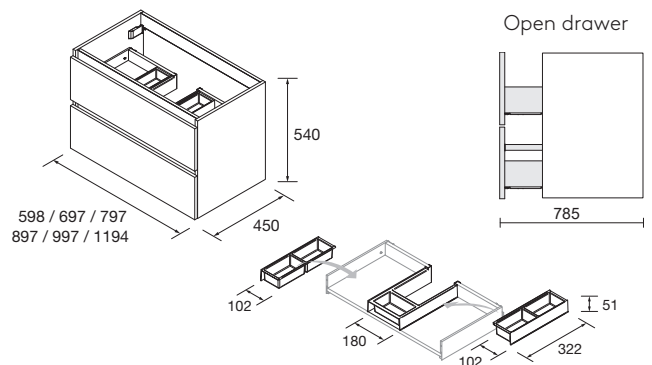
## Interior finishes



## Packaging dimensions and weight

	600	700	800	900	1000	1200
Lenght (mm)	660	760	860	960	1060	1260
Depth (mm)	510					
Height (mm)	610					
Net weight (kg)	23	25	27	29,8	32,6	34,1
Gross weight (kg)	24,8	27,5	30,2	33	35,7	37,2

## Dimensions



Drawer organizer included.

## Back free space for water conections

## Fittings

Handle: Heavy duty hanger with three independent adjustments accessible from the front. Load capacity of 70Kg.

Drawers: Grass V8 metallic drawer onix finish highend hidden runners with total extraction, soft close and Side and height adjustment. Maximum load capacity: 30 kgs.

# SPIRIT - Wall-hung unit 3 drawers - 600/700/800/900/1000



## Exterior finishes



## Interior finishes

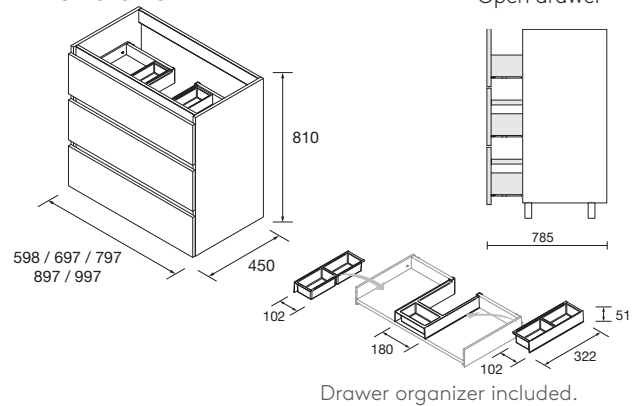


Onix

## Packaging dimensions and weight

	600	700	800	900	1000
Lenght (mm)	660	760	860	960	1060
Depth (mm)	510				
Height (mm)	840				
Net weight (kg)	29,5	32,7	35,8	38,5	40,9
Gross weight (kg)	32	35,4	38,6	41,5	44,1

## Dimensions



Open drawer

Drawer organizer included.

## Technical information

### Manufacture of doors and sides (e=16mm):

- White: Laminated particleboard lacquered with ultra-gloss UV polyester paint.
- Mate: laminated particle board lacquered with matt water-based paint.
- Wood: laminated particle board. PVC song "Testa" with PUR glue

### Internal structure construction (e=16mm): laminated particle board onix finish.

- \*All boards used in the manufacture of this furniture are classified as class E05 with low formaldehyde content.
- \*Edges according to design: PVC, ABS. (edged with PUR glue)

## Fittings

Wall brackets: High resistance wall brackets with three independent regulations. 70 kg load capacity.

Drawers: Grass V8 Metallic drawer onix finish highend hidden runners with total extraction, soft close and Side and height adjustment. Maximum load capacity: 30 kgs.

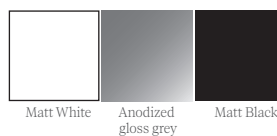
Legs: Aluminum legs height 100 mm, in 3 available finishes: gloss anodized, matte black and matte white. Not included.

## Back free space for water conections

# Handle puller



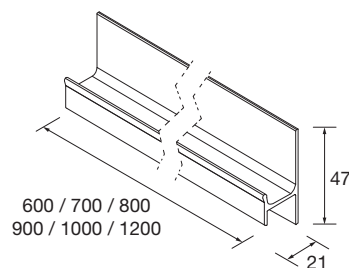
## Finishes



## Packaging dimensions and weight

	600	700	800	900	1000	1200
Lenght (mm)	30	30	30	30	30	30
Depth (mm)	20	20	20	20	20	20
Height (mm)	595	795	794	794	994	1195
Net weight (kg)	0,20	0,23	0,27	0,31	0,34	0,41
Gross weight (kg)	0,23	0,24	0,30	0,34	0,38	0,42

## Dimensions

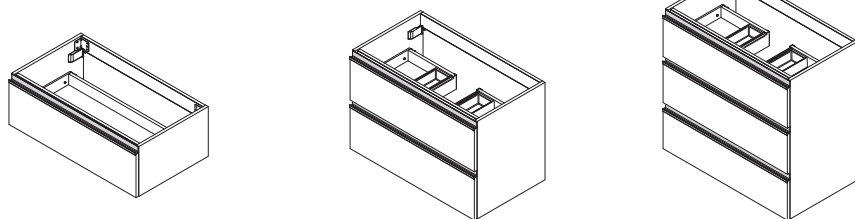


## Technical information

Style: Aluminium handle, in 3 finishes available.  
Fixing screws included.

Handle is sold by unit, not included in the furniture.

## Combine it with furniture



## Instalation

