

FireSci™

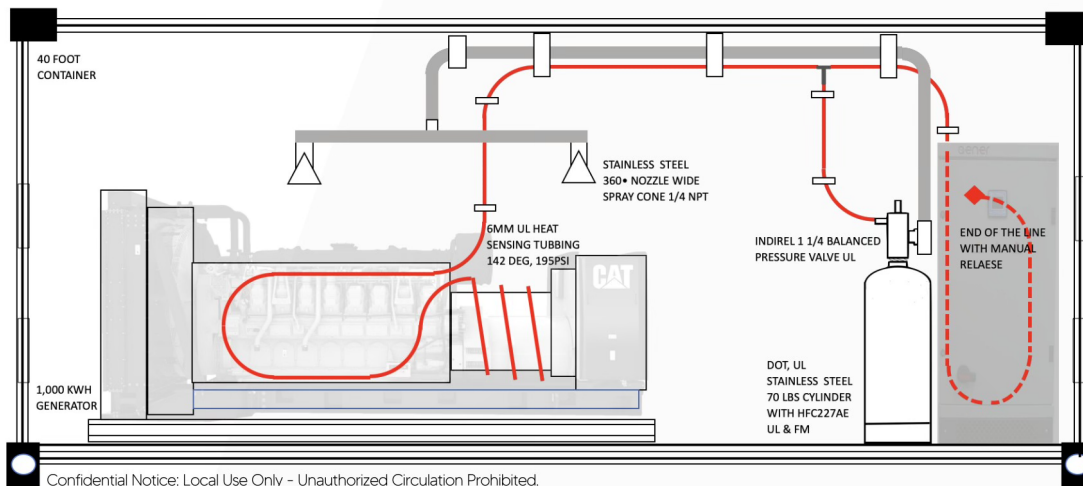
Smart Solutions For Safer Tomorrows.

Who We Are

Headquartered in Massachusetts, USA, **Fire Safety Science LLC.**, designs, customizes and distributes feature-rich, fire suppression systems.

Our core mission is driven by a deep commitment to assist companies in safeguarding their assets through the provision of top-notch micro-suppression fire equipment and associated services. We approach this mission with humility and a profound sense of responsibility, understanding the critical role fire safety plays in protecting lives and property.

Hybrid Clean Agent Suppression System Containerized Generators



Key Features

- Stainless Steel Components
- Automated Suppression
- Low Maintenance
- 24/7 Protection
- Safe For Social Environments
- Corrosion Resistant
- UL / FM

Confidential Notice: Local Use Only - Unauthorized Circulation Prohibited.
Fire Safety Science LLC. 2023

Best of Both Worlds

The FireSci hybrid clean agent fire suppression system (exclusive to FS) seamlessly blends the strengths of total flooding and micro suppression technologies to deliver a versatile and efficient fire protection solution. A strategically placed total flooding cylinder and nozzle ensures a swift release of the clean agent in response to an incipient fire event. The system's activation method, utilizing heat-sensing tubes or similar detectors placed in close proximity of the assets being protected for enhances precision by accurately identifying the moment and location of the fire initiation. This hybrid approach allows for comprehensive coverage while preserving the capability for focused suppression in specific high-risk areas. The FireSci hybrid system provides a flexible and adaptive response to a variety of fire risk scenarios, making it well-suited for facilities with diverse layouts and equipment configurations.

Heat Sensing Tube Temperature Rating

Intermediate - 109C°

High - 142C°

Very High - 191C°

WWW.FIRESAFETYSCI.COM



About Us

Headquartered in Massachusetts, USA, **Fire Safety Science LLC™**, designs, customizes and distributes feature-rich, fire suppression systems.

Two Cylinders - One Flame Sensing Tube

Allows you to cover larger volumes using smaller cylinders that fit into very tight spaces.

Two Cylinders - Two Flame Sensing Tubes

Allows you to create a main and reserve system or a two step discharge using the same agent or two different agents. For example HFC227ea followed by ECO7.

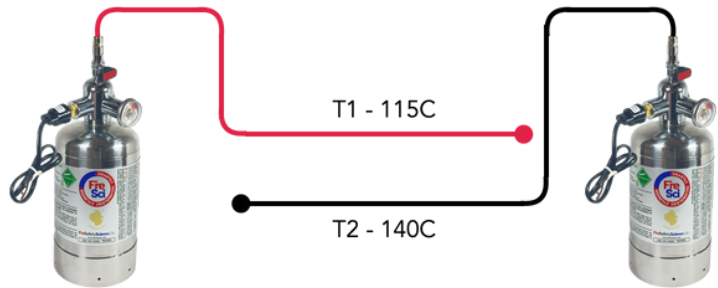
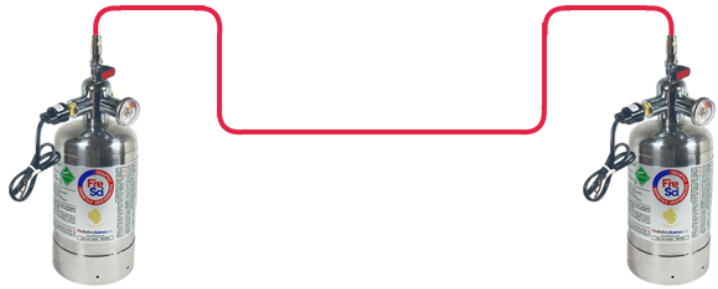
One Cylinder - Complex Flame Sensing Tube Runs

Allows you to cover tight spaces below the minimum bent radius of the Flame Sensing Tube.

SYSTEM CONFIGURATIONS

INDIREL™ or DARSYS™

The flexibility of INDIREL™ and DARSYS™ allows you various configurations to meet your design requirements.



X

FireSafetyScience, Llc.



+1-508-456-6212



sales@firesafetysci.com



945 Concorde Street, 1210,
Framingham, MA, 01701

About Us

Headquartered in Massachusetts, USA, **Fire Safety Science LLC™**, designs, customizes and distributes feature-rich, fire suppression systems.



INDIREL Cylinders

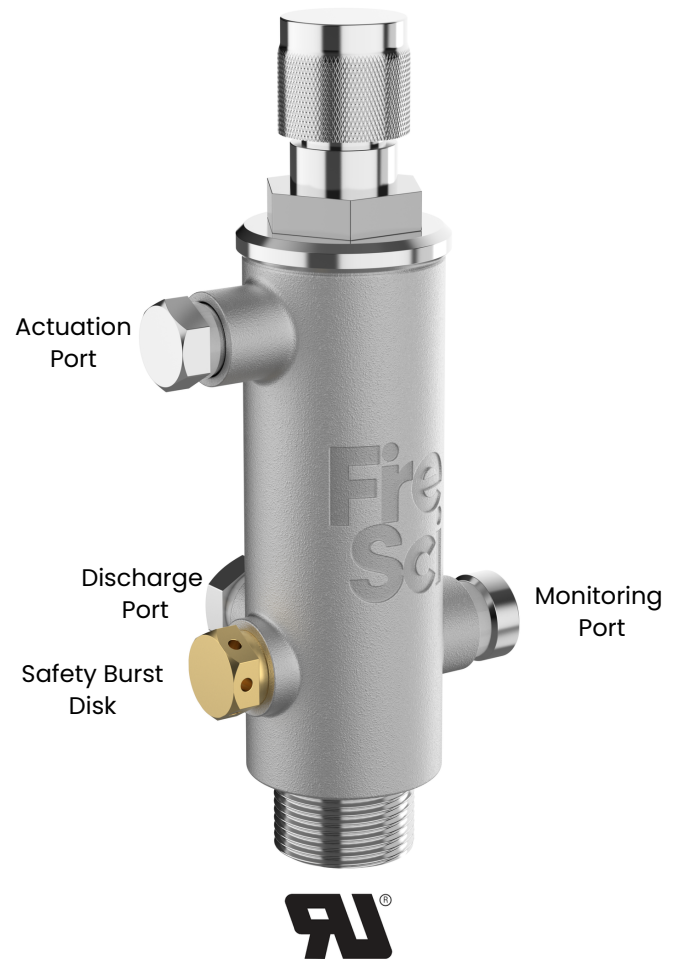
- Stainless Steel
- 13 BAR / 195 PSI
- UN / ISO / DOT

SMARTILT™ Version can be installed vertically or horizontally.

INDIREL™

INDIRECT RELEASE SYSTEM VALVE

The stainless steel INDIREL™ Valve can be actuated pneumatically through the actuation port electrically with a latching-solenoid.



FireSafetyScience,LLc.™



+1-508-456-6212



sales@firesafetysci.com



945 Concorde Street, 1210,
Framingham, MA, 01701

About Us

Headquartered in Massachusetts, USA, **Fire Safety Science LLC™**, designs, customizes and distributes feature-rich, fire suppression systems.



DARSYS™ Cylinders

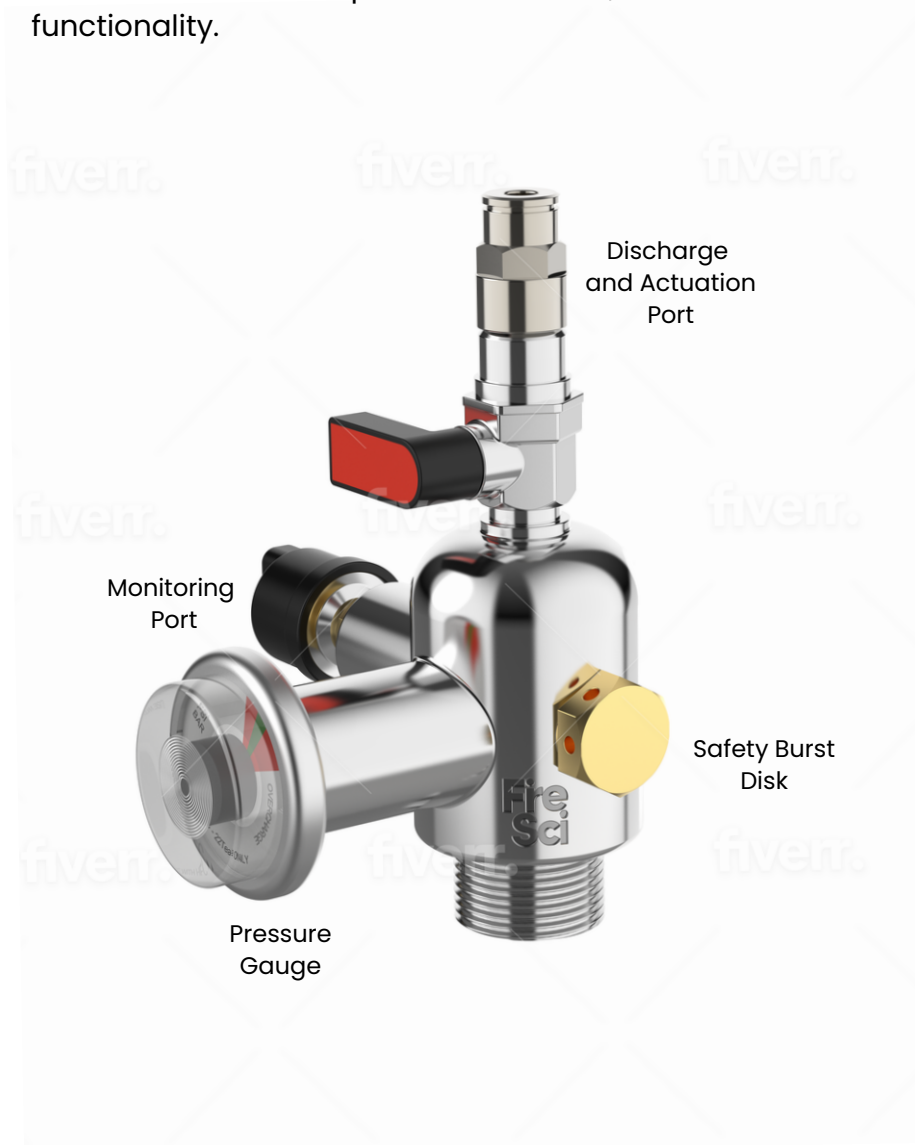
- Stainless Steel
- 13 BAR / 195 PSI
- UN / ISO / DOT

SMARTILT™ Version can be installed vertically or horizontally.

DARSYS

DIRECT AGENT RELEASE SYSTEM VALVE

With no moving parts, our chromed direct-release "valve" is the ideal solution for remote or harsh environments that require autonomous, fail-safe functionality.



FireSafetyScience, Llc.™



+1-508-456-6212



sales@firesafetysci.com



945 Concorde Street, 1210,
Framingham, MA, 01701

About Us

Headquartered in Massachusetts, USA, **Fire Safety Science LLC™**, designs, customizes and distributes feature-rich, fire suppression systems.

Fire Detection Tube

Description

Flexible Fire Detection Tube

Our detection tube is made of a specially calibrated compound that can withstand pressure and temperature up to the designated actuation threshold.

- Continuous Linear Pneumatic Heat Detection Device.
- Humidity and Vibration Resistant
- 150mm Bent Radius
- Outside Diameter 6mm
- Inside Diameter 4mm
- Operating Pressure 195PSI / 13BAR
- 100m Rolls

UL 521 Temperature rating

FireSci 1.	109C°	Intermediate
FireSci 2.	142C°	High
FireSci 3	191C°	Very High



FireSafetyScience,LLc.™

- ☎ +1-508-456-6212
- ✉ sales@firesafetysci.com
- 📍 945 Concorde Street, 1210,
Framingham, MA, 01701

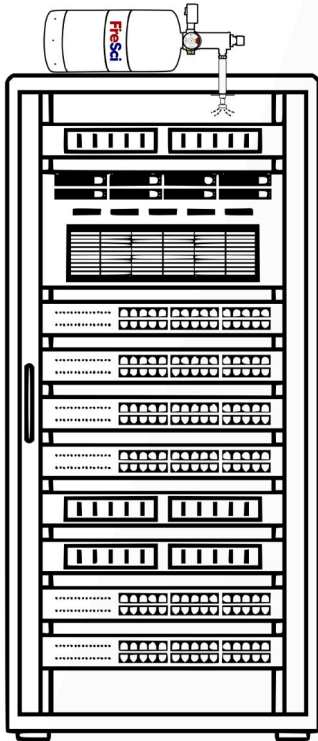
FireSci™

Smart Solutions For Safer Tomorrows.

Who We Are

Headquartered in Massachusetts, USA, **Fire Safety Science LLC.**, designs, customizes and distributes feature-rich, fire suppression systems.

Our core mission is driven by a deep commitment to assist companies in safeguarding their assets through the provision of top-notch micro-suppression fire equipment and associated services. We approach this mission with humility and a profound sense of responsibility, understanding the critical role fire safety plays in protecting lives and property.



Micro-Suppression System Server Racks

Key Features

- Stainless Steel Components
- Automated Suppression
- Low Maintenance
- 24/7 Protection
- Safe For Occupants
- Corrosion Resistant
- UL / FM
- Small and Lightweight

Confidential Notice: Local Use Only - Unauthorized Circulation Prohibited.
Fire Safety Science LLC. 2023

A Shield of Security

Experience enhanced server room safety with FireSci's state-of-the-art micro-suppression installation designed for server racks. Our precisely engineered system utilizes cutting-edge technology to provide targeted fire protection, ensuring the safety of critical server infrastructure. In the event of a fire, the system reacts swiftly, releasing a clean agent directly at the source, minimizing damage to sensitive equipment. The Stainless Steel cylinders are compact, seamlessly integrating into the server rack environment without compromising valuable space. With its rapid response time, minimal downtime, and the ability to suppress fires without destroying equipment or leaving residue, our micro-suppression installation offers unparalleled protection for your server room, safeguarding your assets and maintaining operational continuity.

WWW.FIRESAFETYSCI.COM



About Us

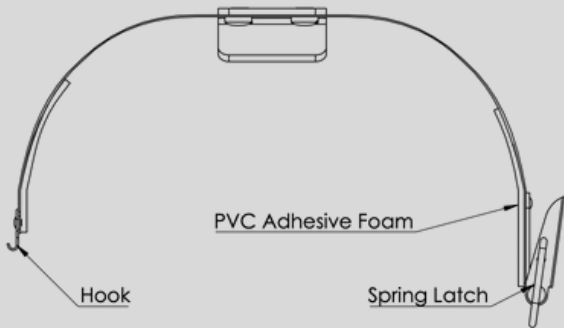
Headquartered in Massachusetts, USA, **Fire Safety Science LLC™**, designs, customizes and distributes feature-rich, fire suppression systems.

BRACKET

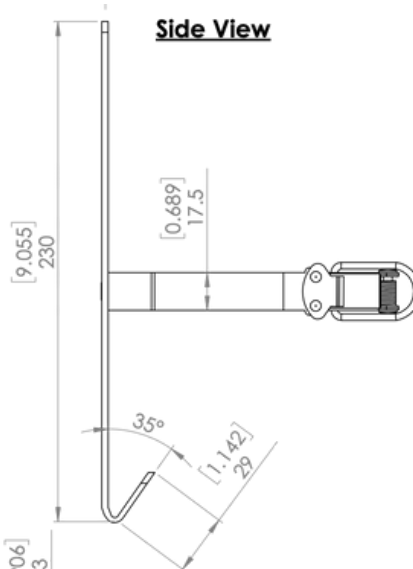
Universal Bracket Fits 3Lbs to 18lbs Cylinders

The stainless steel universal bracket is adjustable to accommodate our 3Lbs, 6lbs, 12Lbs, and 18Lbs cylinders in regular or SMARTILT™ version. A non-drill type is available.

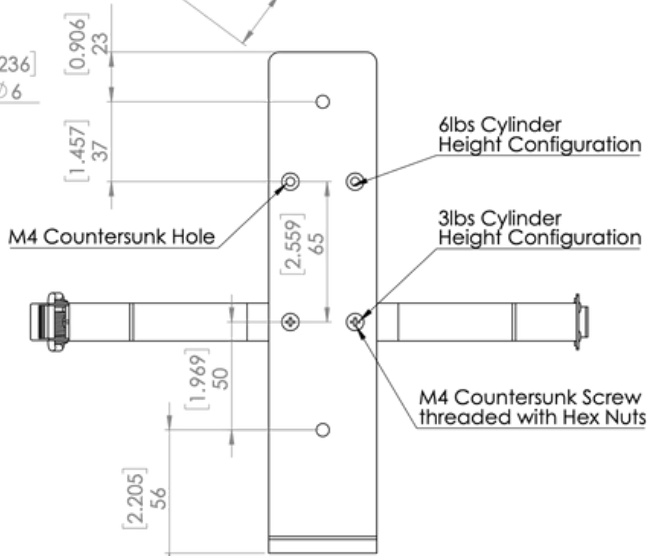
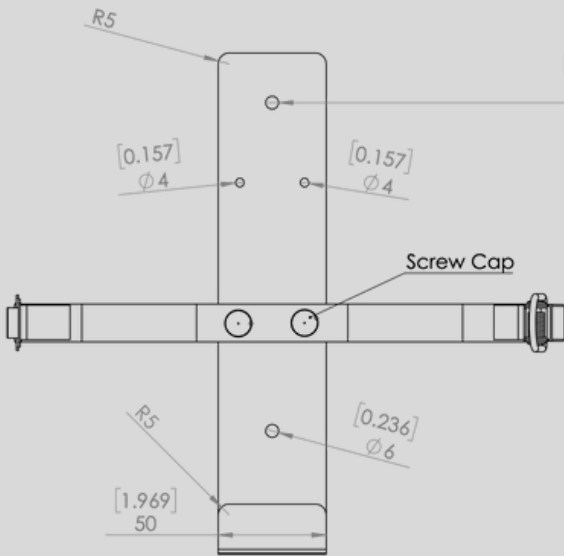
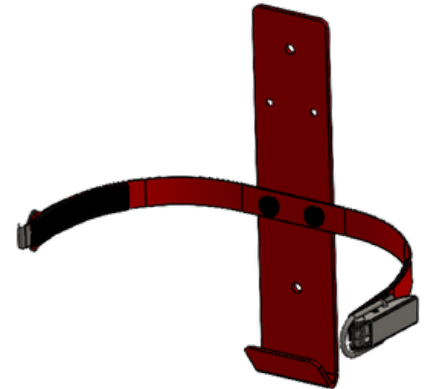
Top View



Side View



Isometric View



Front View

Back View

FireSafetyScience,LLc.



+1-508-456-6212



sales@firesafetysci.com



945 Concorde Street, 1210,
Framingham, MA, 01701

About Us

Headquartered in Massachusetts, USA, **Fire Safety Science LLC™**, designs, customizes and distributes feature-rich, fire suppression systems.

1



2



3



4



5



NOZZLES

INDIREL™

Our corrosion-resistant nozzles are pre-drilled and ready to install. We have a nozzle that suites your application.

	Applications	Agents	Spray Pattern
1	Tight Spaces Inside Cabinet	FK5-1-12 HFC227ea	Shallow 360°
2	Tight Spaces Inside Cabinet	FK5-1-12 HFC227ea	Shallow 360°
3	Inside Cabinet	FK5-1-12 HFC227ea F-500 ECO-7	360° Cone 45°
4	Surface Advantage	FK5-1-12 HFC227ea F-500 ECO-7	Micro-Mist
5	Vehicle Kitchen	F-500 ECO-7	360° Cone 15° and 30°

FireSafetyScience, Llc.

+1-508-456-6212

sales@firesafetysci.com

945 Concorde Street, 1210,

Framingham, MA, 01701