

GWA-GNSS-AE-5040

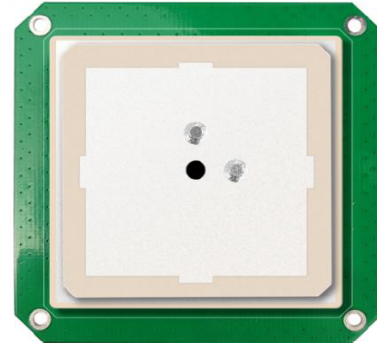
Active GPS-GNSS Patch Antenna

GPS : L1/L2/L5 & GLONASS : L1/L2

BD : B1/B2/B3 & GALILEO : E1/E2/E5a/E5b

Applications

- 1-Autonomous driving
- 2-Radar applications
- 3-Precision agriculture and positioning for vehicles
- 4-Satellite communications



General description

The GWA-GNSS-AE-5040 is a high-performance, multi-band active GPS and GNSS antenna designed to deliver exceptional accuracy across the GPS (L1/L2/L5), GLONASS (L1/L2), BeiDou (B1/B2/B3), and GALILEO (E1/E2/E5a/E5b) frequency bands. It enables users to achieve superior location accuracy compared to other antennas. With a gain flatness of less than 1 dB across the bands and an excellent axial ratio, this antenna is highly resistant to multipath interference from the surrounding environment.

Electrical Specifications

Frequency Range: 1164-1278 MHz
1556-1615 MHz

Impedance: 50Ω

Noise Figure: ≤2dB

VSWR: 1.5

Polarization: RHCP

Passive Gain: 4dBi @L5 , 4.5dBi @L2, 5.5dBi @L1

Active Gain: 32 ±2 dBi

Connector: SMA Male, RG174 Cable

Axial Ratio : ≤3dB

DC Supply Voltage : 3-12V

DC Current: ≤45mA

Mechanical Specifications

Material : Ceramic

Operating Temperature: -40°C~+70°C

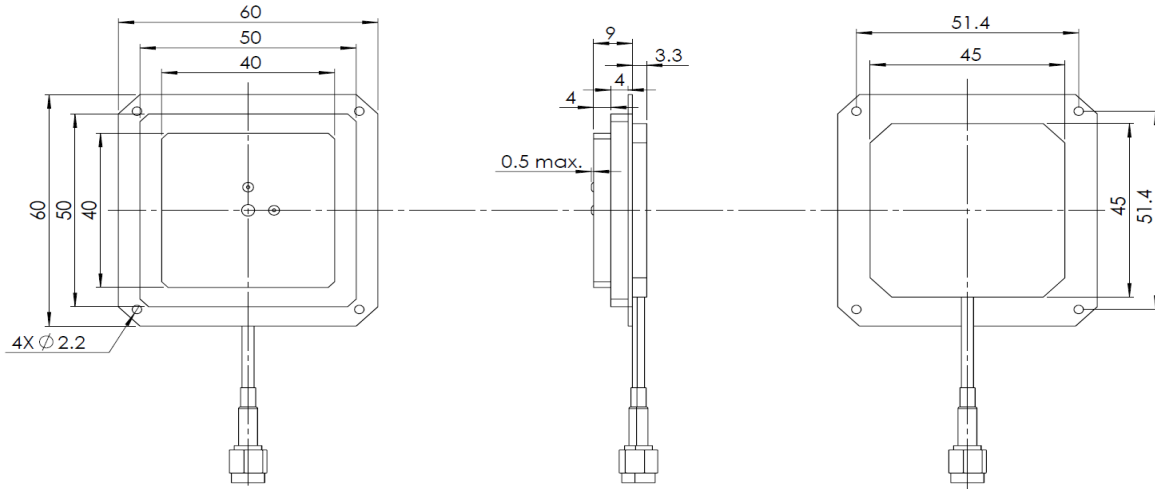
Storage Temperature: -55°C~+85°C

Humidity: 95% RH non-condensing

Weight : 70g

Dimensions: 60mm × 60mm × 14mm

Mechanical Outline



*All dimensions are in millimeters and for reference only and may be subject to change without notice