

ISO 9001:2015 Certified Company

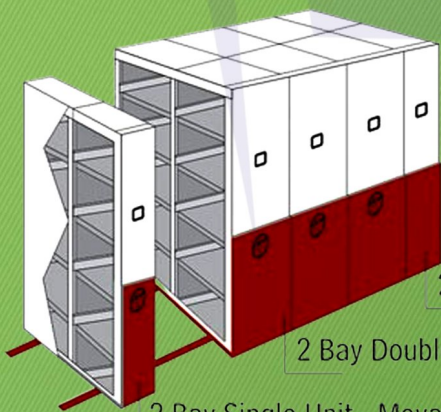


METASHAPE

MOBILE COMPACTOR STORAGE SYSTEM
SAVE SPACE, TIME, AND MONEY

“METASHAPE”

**MOBILE COMPACTOR
CAN
INCREASE
YOUR
EXISTING
Storage Space more than
100%**



2 Bay Single Unit - Static

2 Bay Double Unit - Movable

2 Bay Single Unit - Movable



Mechanical Storage Compactor

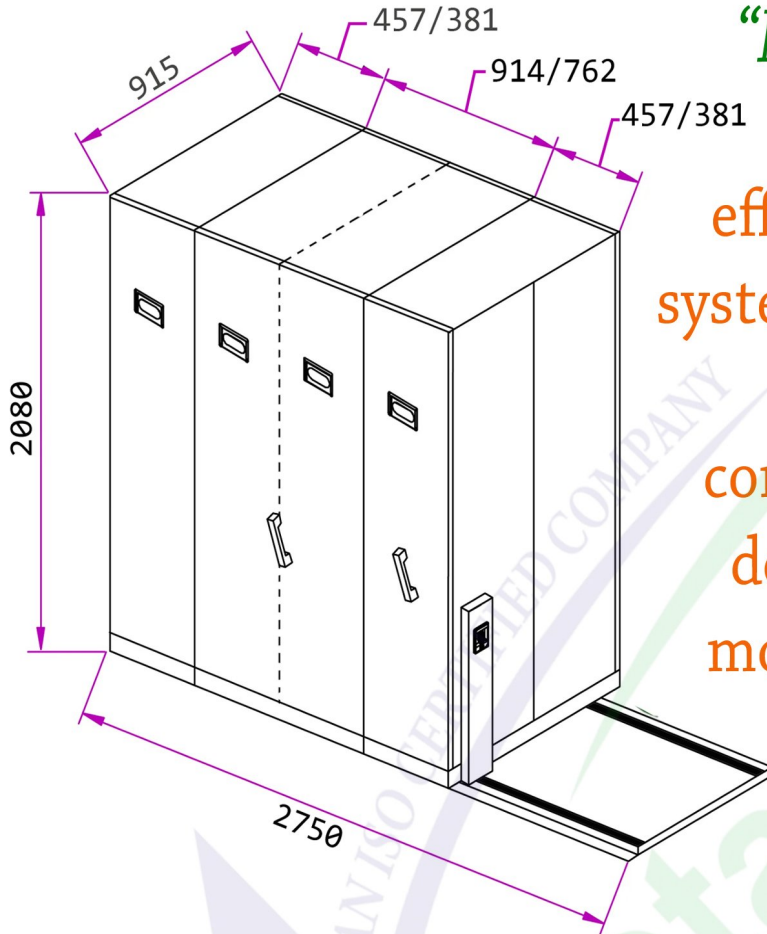
Push Pull Storage Compactor

www.metashape.in



"METASHAPE" PUSH - PULL FILE STORAGE COMPACTOR

AN ISO CERTIFIED COMPANY
Metashape
A Unique Lifestyle
An ISO Certified Company



"METASHAPE" Hand-push mobile Compactor is an efficient space saving storage system for office requirements. It is a manual file storage compactor used to store files, documents, stationery etc. It moves on channels and saves 60 to 70% storage space, Which is an excellent option for storage



6 Body Single Bay

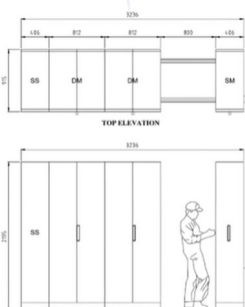


8 Body Two Bay



18 Body Three Bay

Mobile Compactors
(Hand Push)



6 BAY COMPACTOR



Black Grey ZS 7021



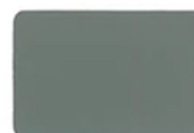
Pebble Grey ZS 7032



Light Grey ZS 7035



Anthracite Grey ZS 7016



Dusty Grey ZS 7037



Window Grey ZS 7047

“METASHAPE”

MECHANICAL

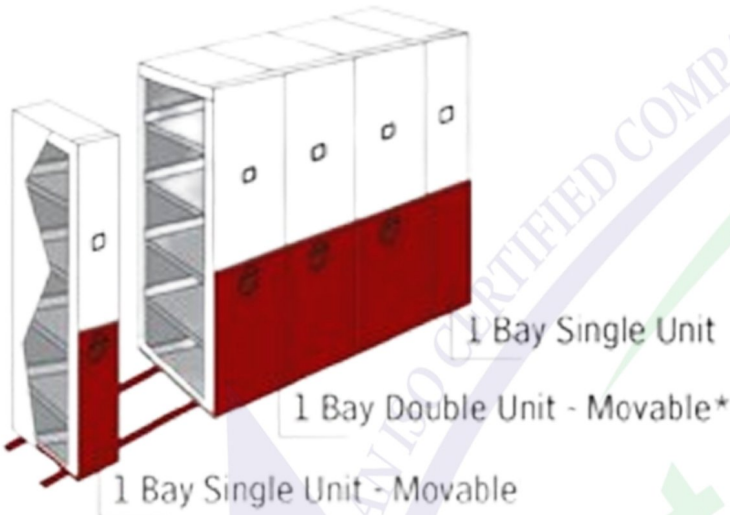
FILE STORAGE COMPACTOR



METASHAPE'S

Range of Mechanical File Storage Compactors

Single Bay File Compactor Series



METASHAPE.....

Single Bay Mobile Compactor Storage System is an efficient space saving storage system for various office needs.

Single Bay Compactor Basically consists of One Bodies

One First Body is SFFU (Single Faced Fix Unit)

One Last SFMU

(Single Faced Movable Unit)

Middle Side Body is DFMU

(Double Faced Movable Unit)

in the middle which are Two Bodies Back to Back unit. You can make a Compactor with a minimum of Two & Four Bodies and can further customize as per your space. Ideal for storing files, Documents, Stationery etc. It consists of fixed or movable storage units (bodies) attached to an undercarriage which moves on channels.

in the middle which are Two Bodies Back to Back unit. You can make a Compactor with a minimum of Two & Four Bodies and can further customize as per your space. Ideal for storing files, Documents, Stationery etc. It consists of fixed or movable storage units (bodies) attached to an undercarriage which moves on channels.



**SAVE OVER 50%
OF SPACE**

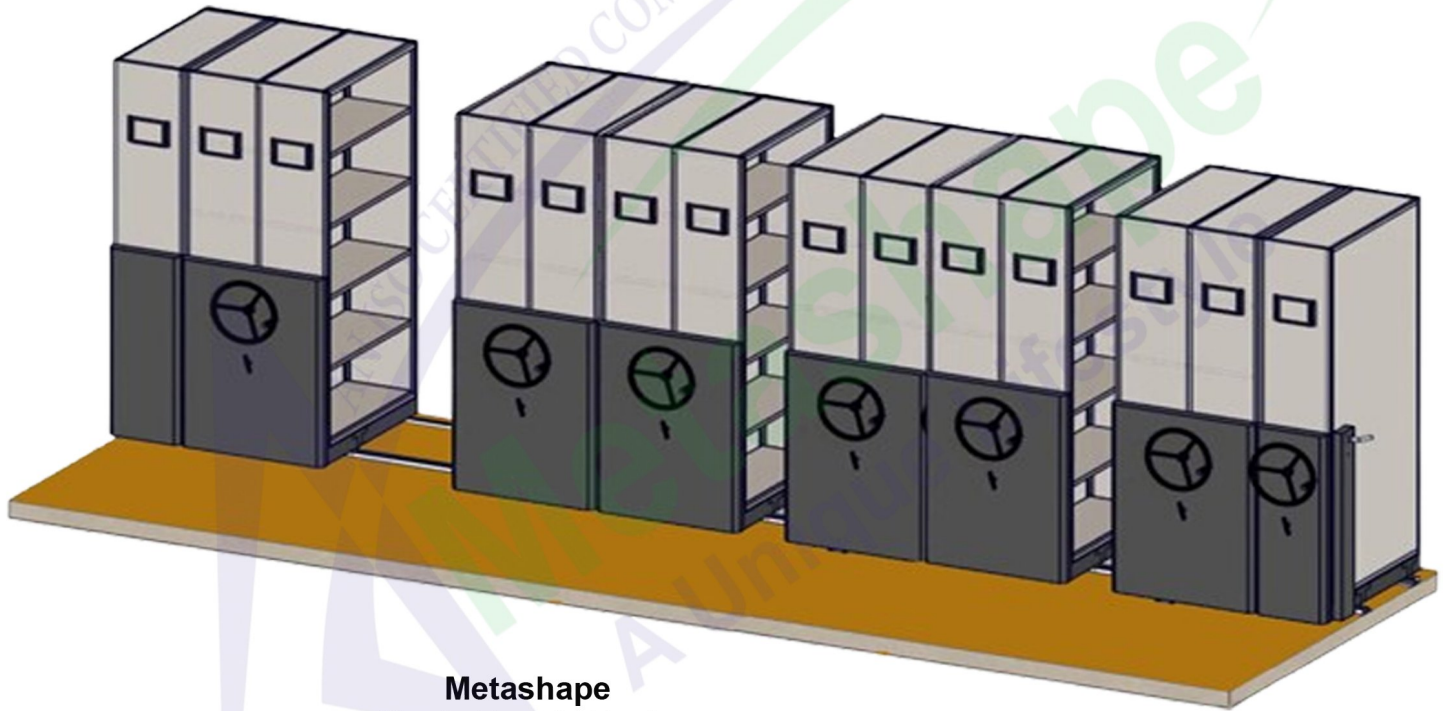


“METASHAPE” MECHANICAL FILE STORAGE COMPACTOR

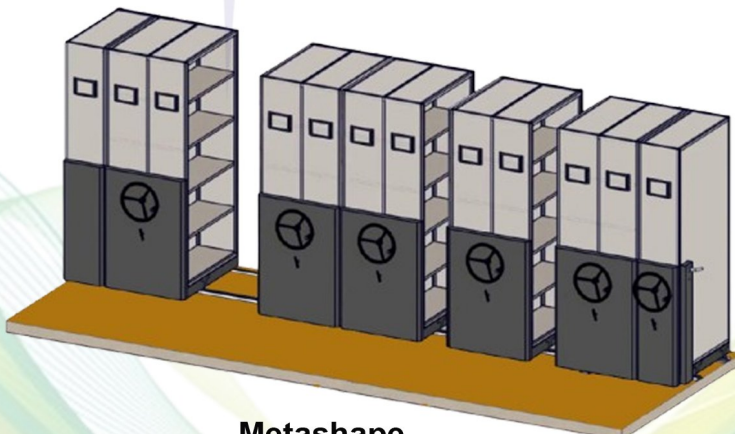
AN ISO CERTIFIED COMPANY
Metashape™
A Unique Lifestyle
An ISO Certified Company

METASHAPE'S Range of Mechanical File Storage Compactors

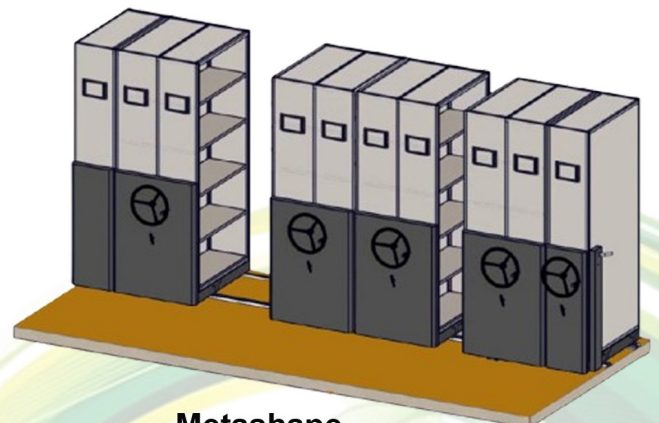
Single Bay File Compactor Series



Metashape
Single Bay 14 Body



Metashape
Single Bay 12 Body



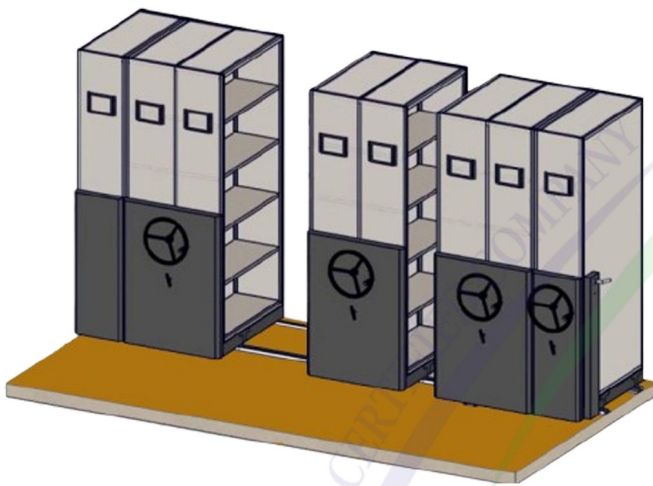
Metashape
Single Bay 10 Body

“METASHAPE” MECHANICAL FILE STORAGE COMPACTOR

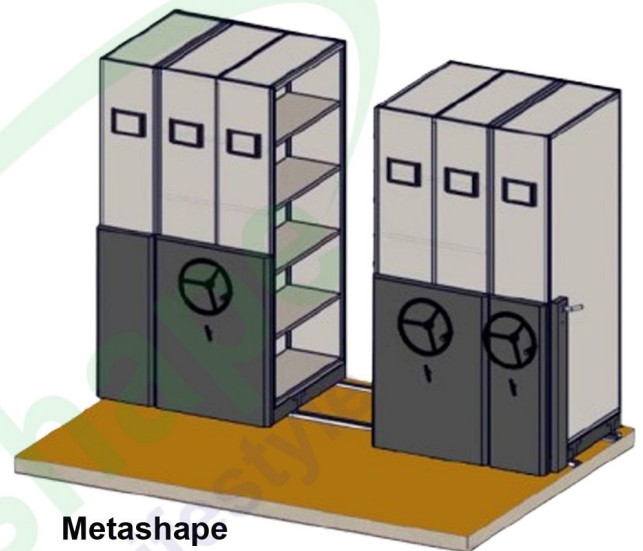
AN ISO CERTIFIED COMPANY
Metashape
A Unique Lifestyle
An ISO Certified Company

METASHAPE'S Range of Mechanical File Storage Compactors

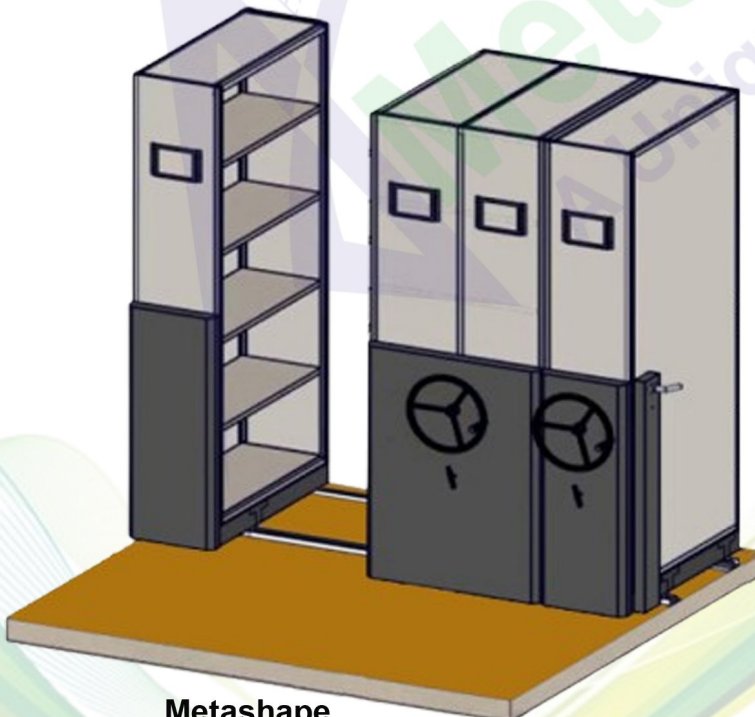
Single Bay File Compactor Series



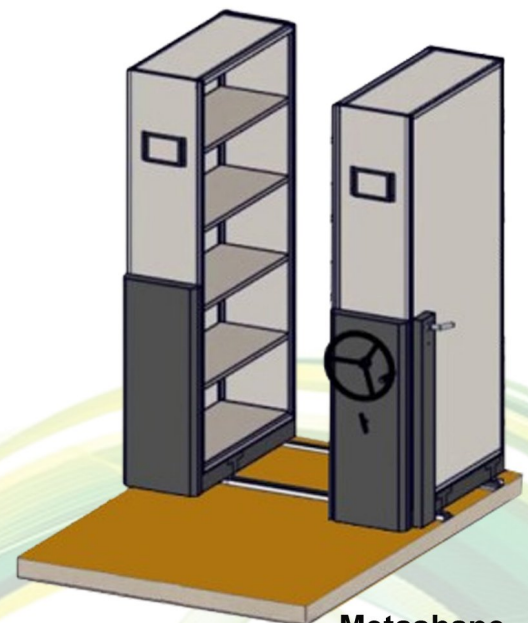
Metashape
Single Bay 8 Body



Metashape
Single Bay 6 Body



Metashape
Single Bay 4 Body



Metashape
Single Bay 2 Body

www.metashape.in

“METASHAPE”

MECHANICAL

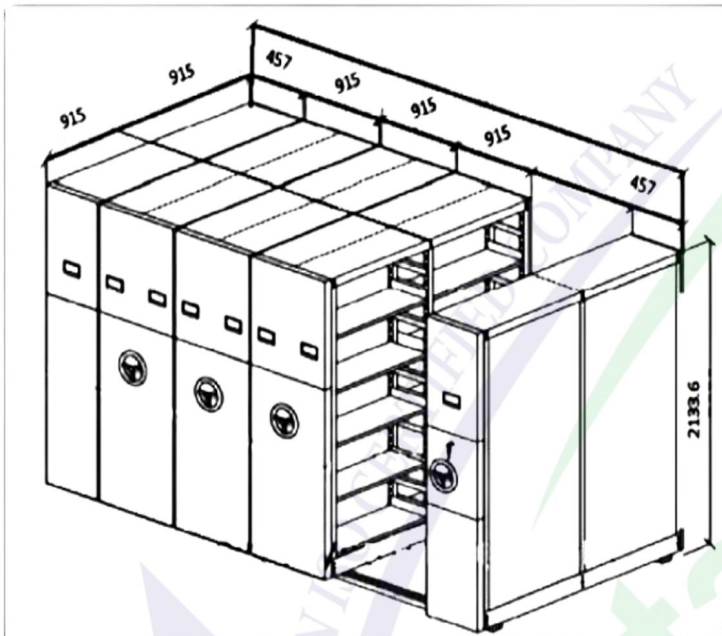
FILE STORAGE COMPACTOR



METASHAPE'S

Range of Mechanical File Storage Compactors

Two Bay File Compactor Series



METASHAPE.....

Two Bay Mobile Compactor Storage System is an efficient space saving storage system for various office needs.

Two Bay Compactor Basically

One First Body is SFFU
(Single Faced Fix Unit)

One Last SFMU

(Single Faced Movable Unit)

Middle Side Body is DFMU

(Double Faced Movable Unit)

in the middle which are Four Bodies Back to Back unit. You can make a Compactor with a minimum of Eight & Four Bodies and can further customize as per your space. Ideal for storing files, Documents, Stationery etc. It consists of fixed or movable storage units (bodies) attached to an undercarriage which moves on channels.



**SAVE OVER 50%
OF SPACE**

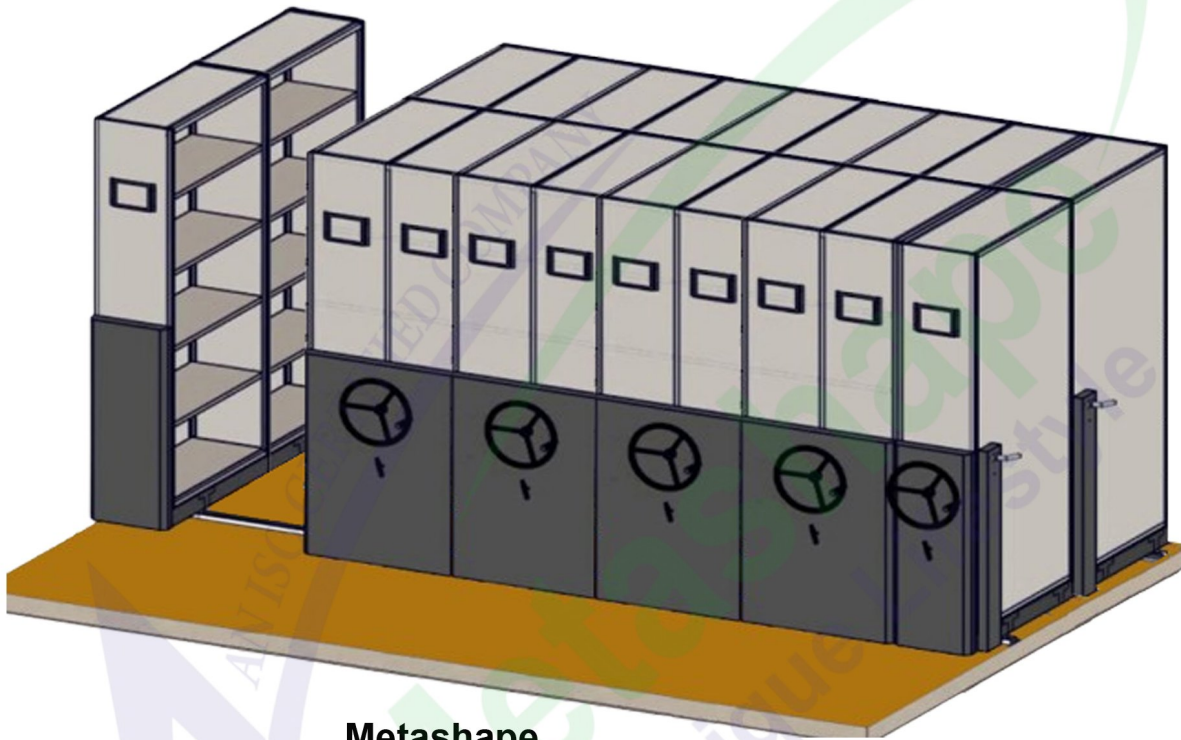


“METASHAPE” MECHANICAL FILE STORAGE COMPACTOR

AN ISO CERTIFIED COMPANY
Metashape
A Unique Lifestyle
An ISO Certified Company

METASHAPE'S Range of Mechanical File Storage Compactors

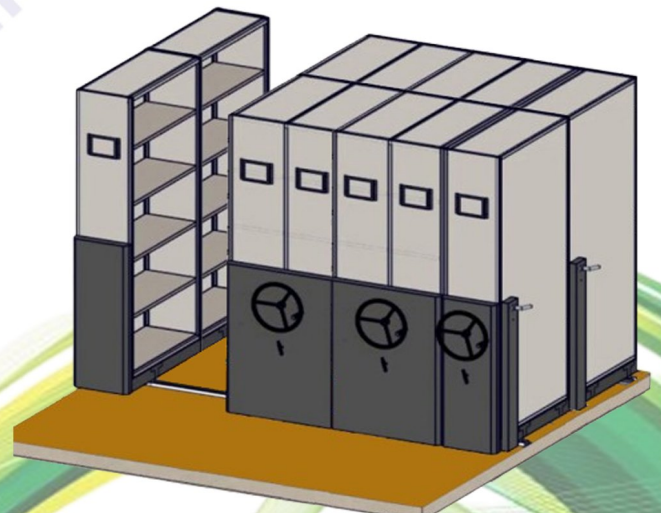
Two Bay File Compactor Series



Metashape
Two Bay 20 Body



Metashape
Two Bay 16 Body



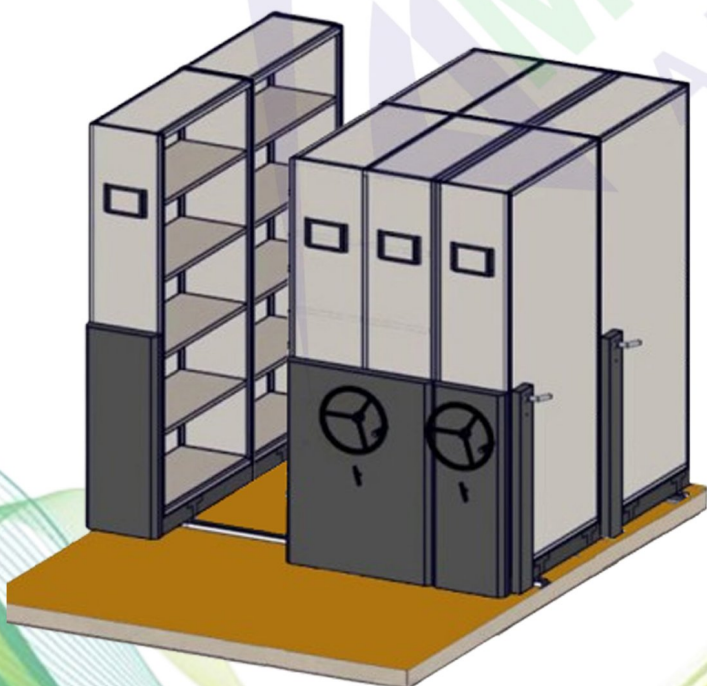
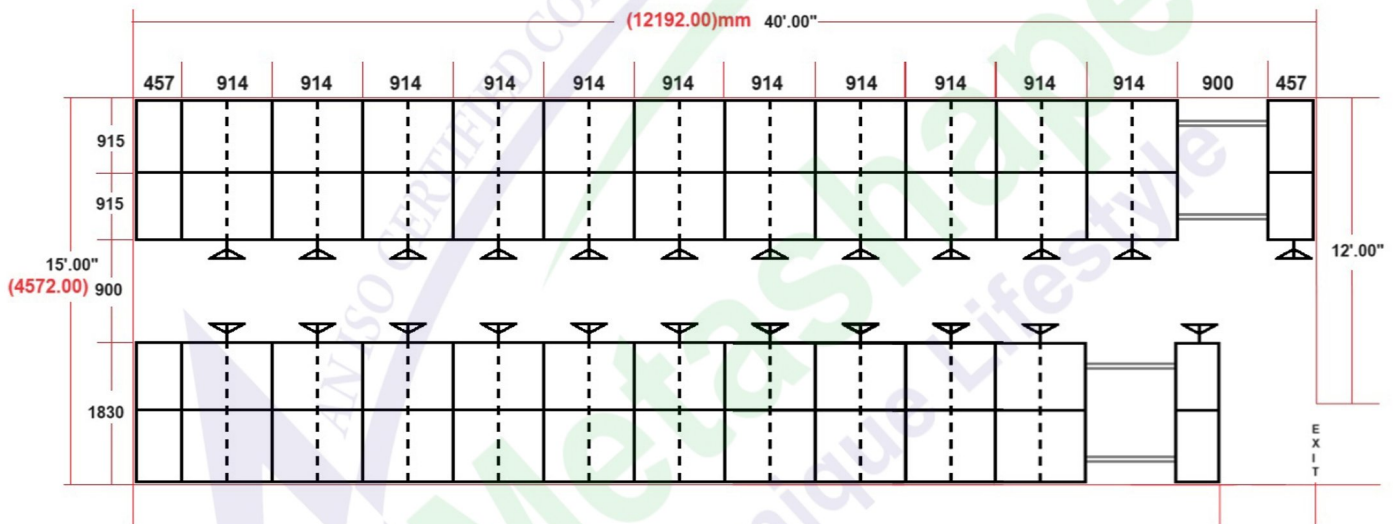
Metashape
Two Bay 12 Body

“METASHAPE” MECHANICAL FILE STORAGE COMPACTOR

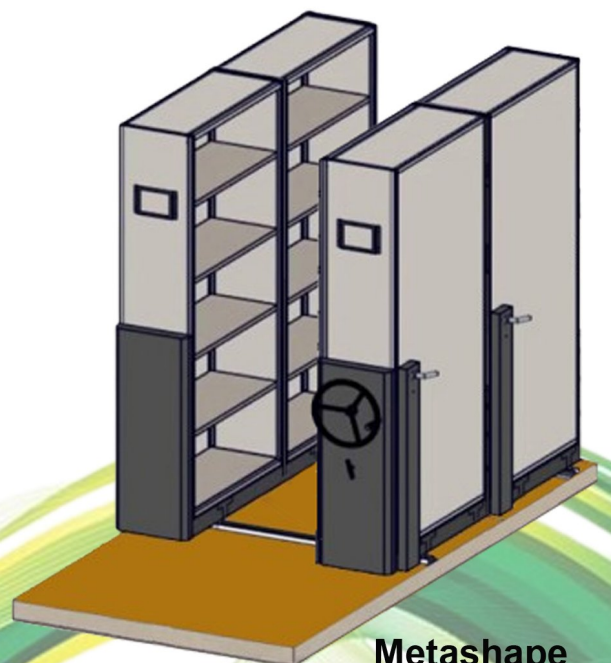
AN ISO CERTIFIED COMPANY
Metashape
A Unique Lifestyle
An ISO Certified Company

METASHAPE'S Range of Mechanical File Storage Compactors

Two Bay File Compactor Series



Metashape
Two Bay 08 Body



Metashape
Two Bay 04 Body

“METASHAPE”

MECHANICAL

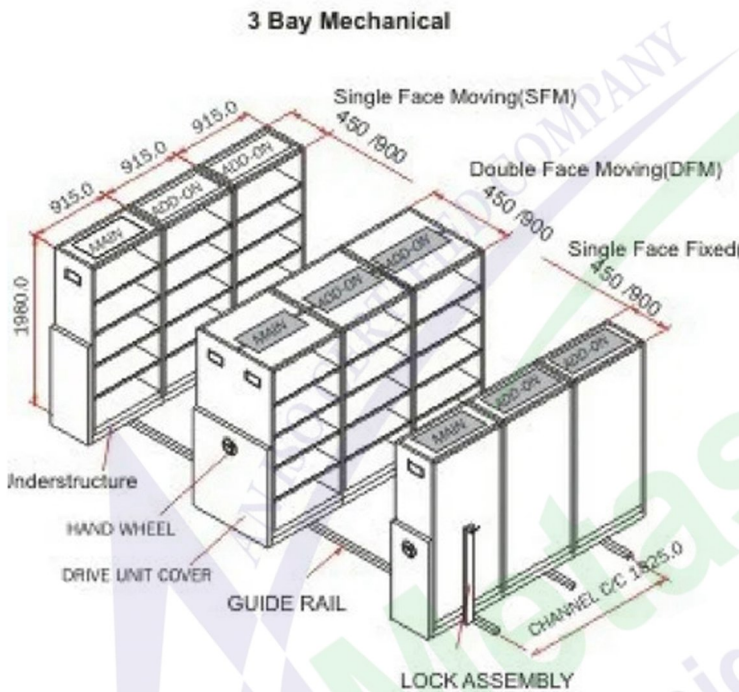
FILE STORAGE COMPACTOR



METASHAPE'S

Range of Mechanical File Storage Compactors

Three Bay File Compactor Series



METASHAPE.....

Three Bay Mobile Compactor Storage System is an efficient space saving storage system for various office needs.

Three Bay Compactor Basically consists of Three Bodies

One First Body is SFFU (Single Faced Fix Unit)

One Last SFMU

(Single Faced Movable Unit)

Middle Side Body is DFMU

(Double Faced Movable Unit)

in the middle which are Six Bodies Back to Back unit. You can make a Compactor with a minimum of Twelve Bodies and can further customize as per your space. Ideal for storing files, Documents, Stationery etc. It consists of fixed or movable storage units (bodies) attached to an undercarriage which moves on channels.

SAVE OVER 50% OF SPACE



“METASHAPE”

MECHANICAL

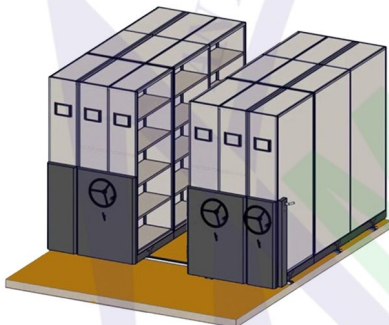
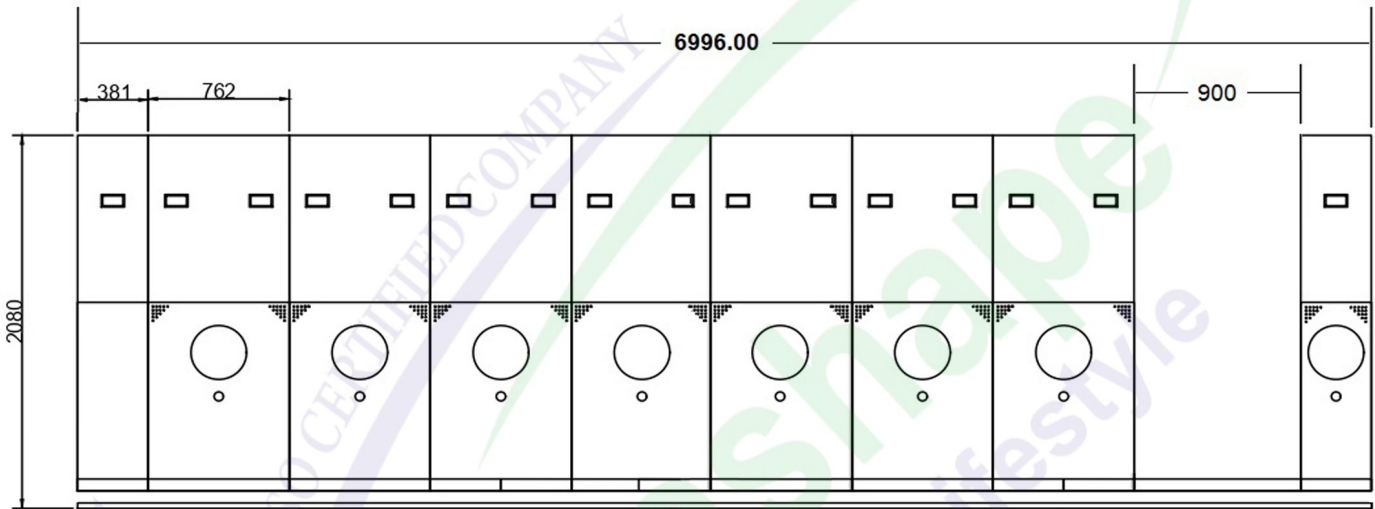
FILE STORAGE COMPACTOR



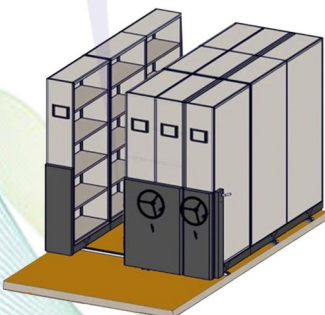
METASHAPE'S

Range of Mechanical File Storage Compactors

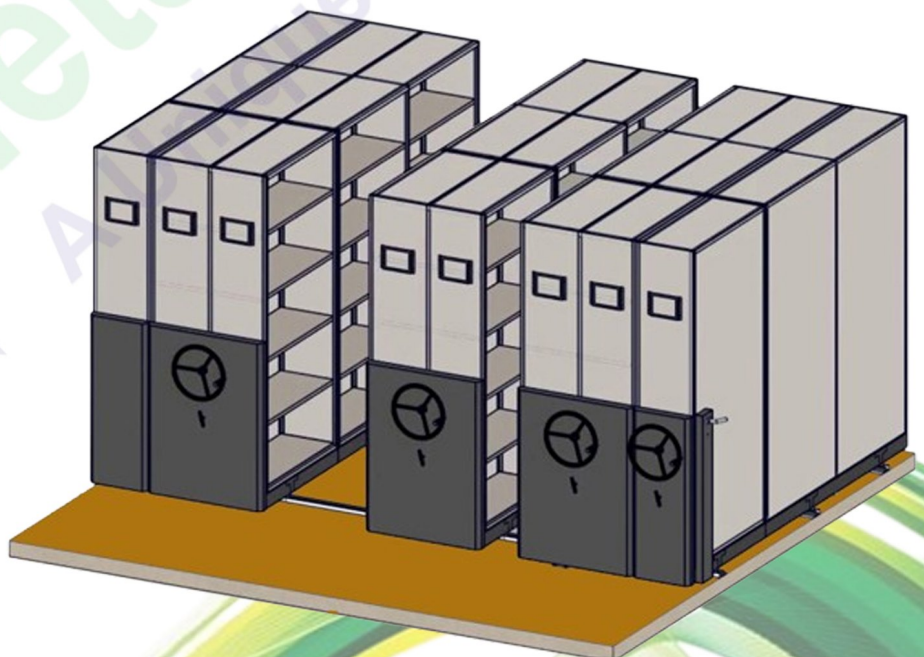
Three Bay File Compactor Series



Metashape
Three Bay 12 Body



Metashape
Three Bay 12 Body



Metashape
Three Bay 24 Body

“METASHAPE”

MECHANICAL

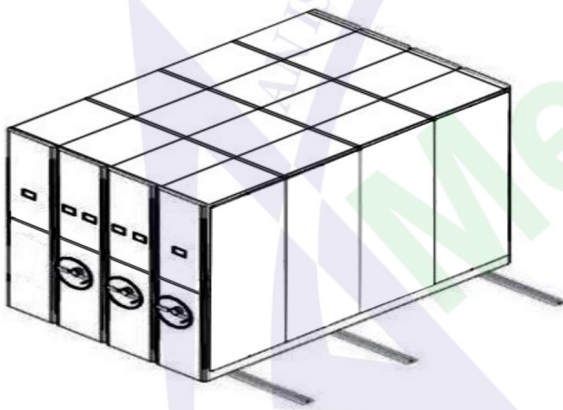
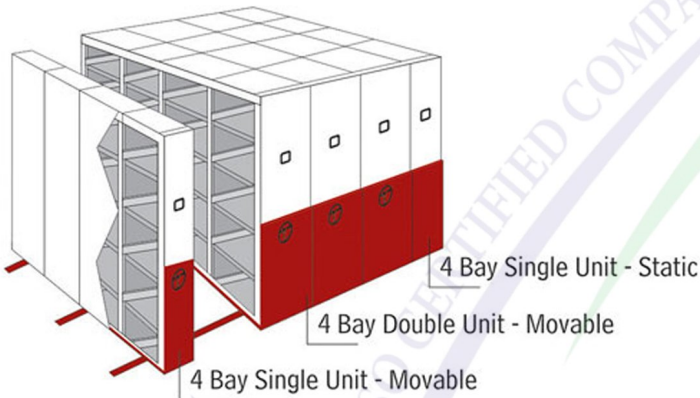
FILE STORAGE COMPACTOR



METASHAPE'S

Range of Mechanical File Storage Compactors

Four Bay File Compactor Series



METASHAPE.....

Four Bay Mobile Compactor Storage System is an efficient space saving storage system for various office needs.

Four Bay Compactor Basically consists of Four Bodies
One First Body is SFFU (Single Faced Fix Unit)
One Last SFMU (Single Faced Movable Unit)
Middle Side Body is DFMU (Double Faced Movable Unit)

in the middle which are Eight Bodies Back to Back unit. You can make a Compactor with a minimum of Sixteen Bodies and can further customize as per your space. Ideal for storing files, Documents, Stationery etc. It consists of fixed or movable storage units (bodies) attached to an undercarriage which moves on channels.



**SAVE OVER 50%
OF SPACE**

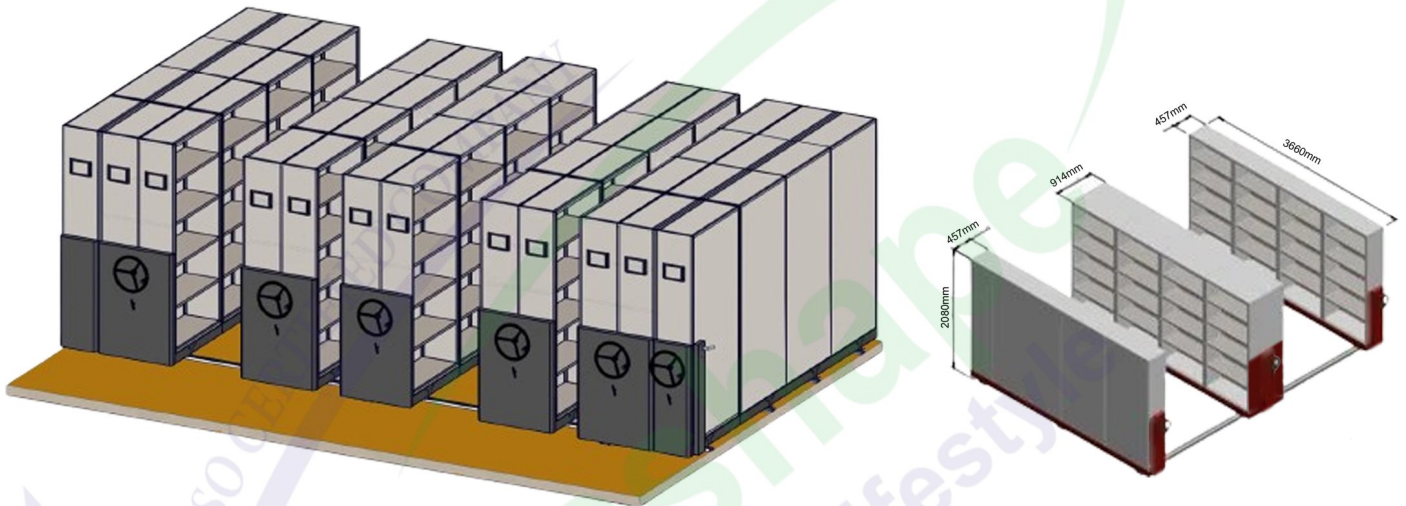


“METASHAPE” MECHANICAL FILE STORAGE COMPACTOR

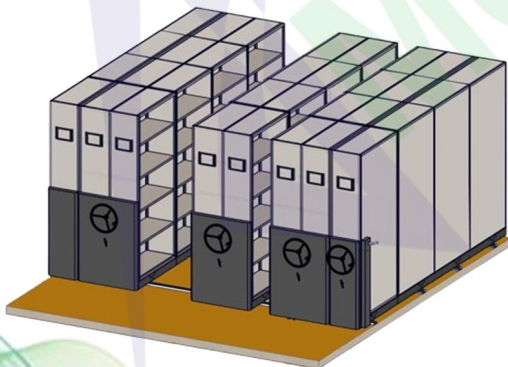
AN ISO CERTIFIED COMPANY
Metashape
A Unique Lifestyle
An ISO Certified Company

METASHAPE'S Range of Mechanical File Storage Compactors

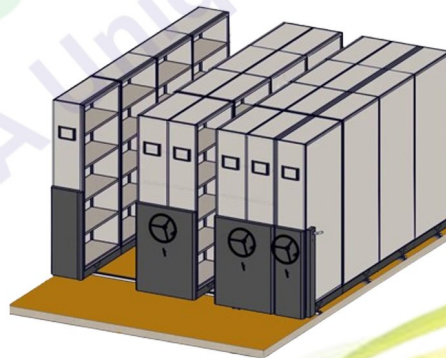
Four Bay File Compactor Series



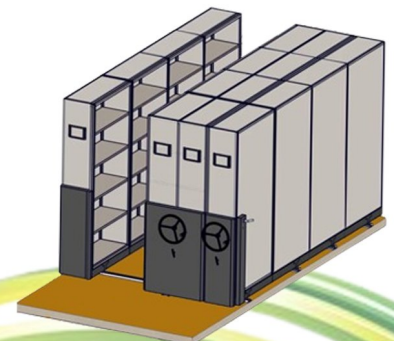
Metashape
Four Bay 48 Body



Metashape
Four Bay 32 Body



Metashape
Four Bay 24 Body



Metashape
Four Bay 16 Body



**SAVE OVER 50%
OF SPACE**



“METASHAPE”

MECHANICAL

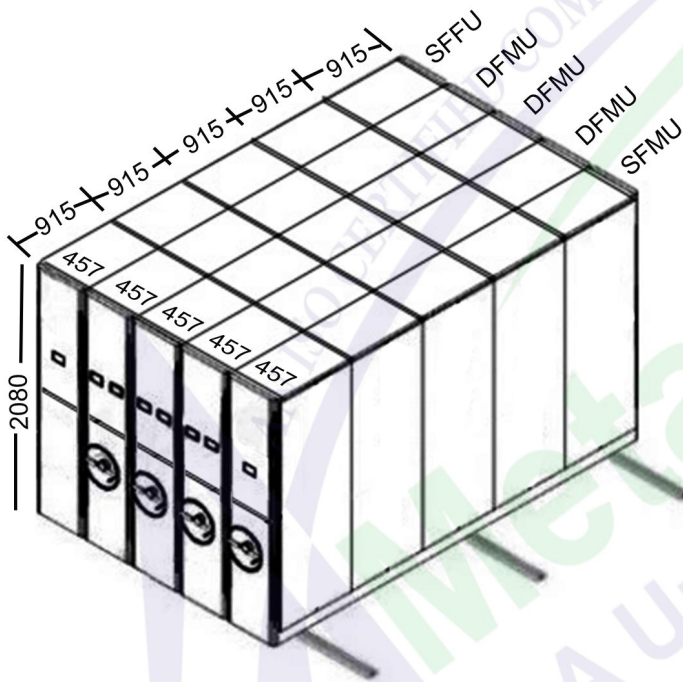
FILE STORAGE COMPACTOR



METASHAPE'S

Range of Mechanical File Storage Compactors

Five Bay File Compactor Series



METASHAPE.....

Five Bay Mobile Compactor Storage System is an efficient space saving storage system for various office needs.

Five Bay Compactor Basically

consists of Five Bodies

One First Body is SFFU
(Single Faced Fix Unit)

One Last SFMU

(Single Faced Movable Unit)

Middle Side Body is DFMU

(Double Faced Movable Unit)

in the middle which are Ten Bodies Back to Back unit. You can make a Compactor with a minimum of Twenty Bodies and can further customize as per your space. Ideal for storing files, Documents, Stationery etc. It consists of fixed or movable storage units (bodies) attached to an undercarriage which moves on channels.



**SAVE OVER 50%
OF SPACE**

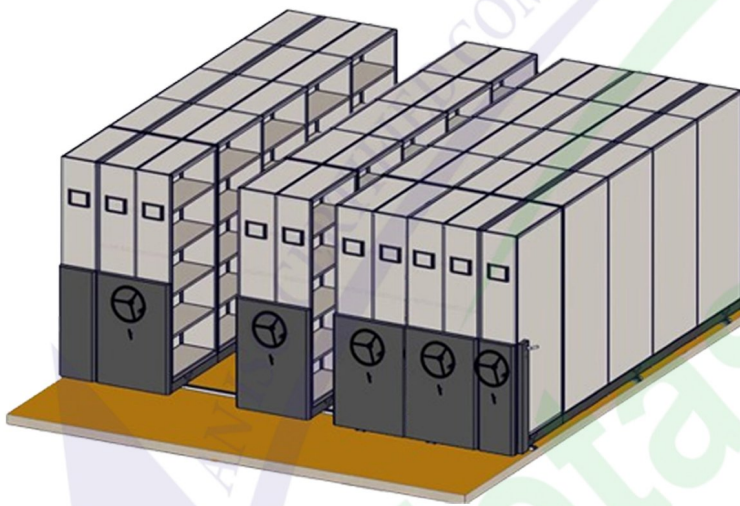


“METASHAPE” MECHANICAL FILE STORAGE COMPACTOR

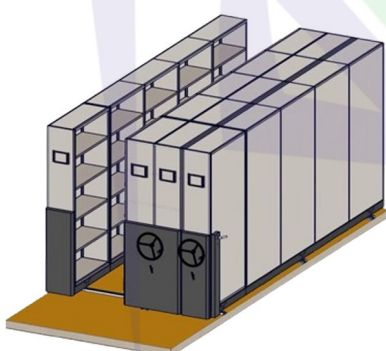
AN ISO CERTIFIED COMPANY
Metashape
A Unique Lifestyle
An ISO Certified Company

METASHAPE'S Range of Mechanical File Storage Compactors

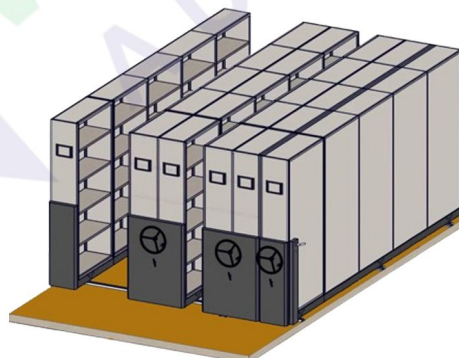
Five Bay File Compactor Series



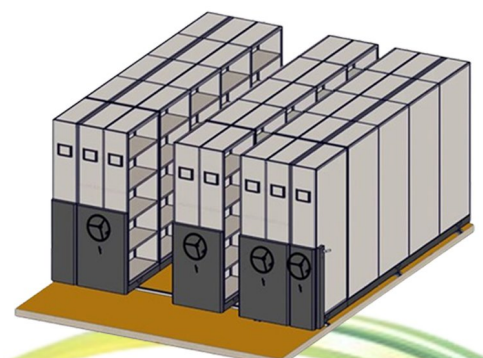
Metashape
Five Bay 50 Body



Metashape
Five Bay 20 Body



Metashape
Five Bay 30 Body



Metashape
Five Bay 40 Body



SAVE OVER 50%
OF SPACE

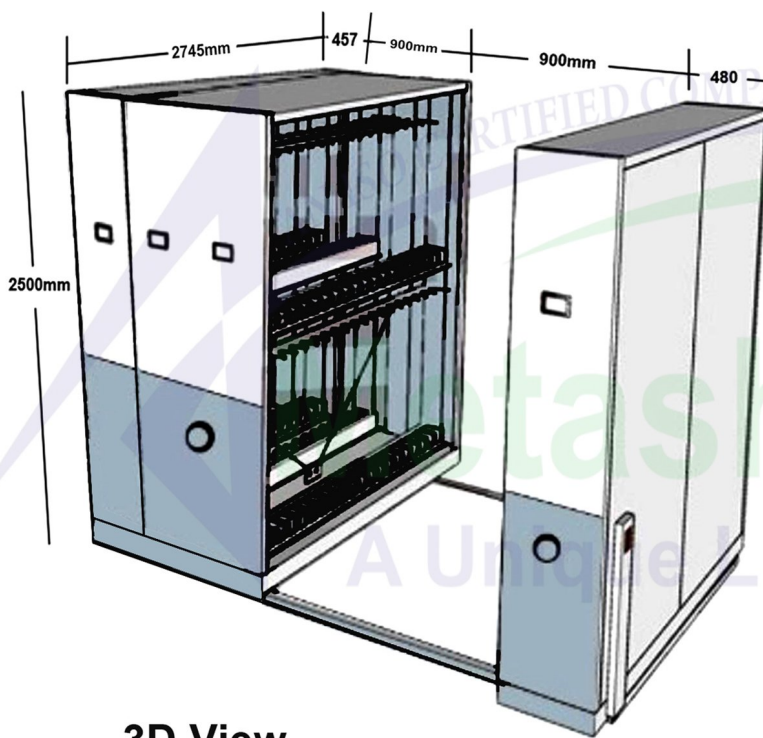


“METASHAPE” WEAPONS COMPACTOR

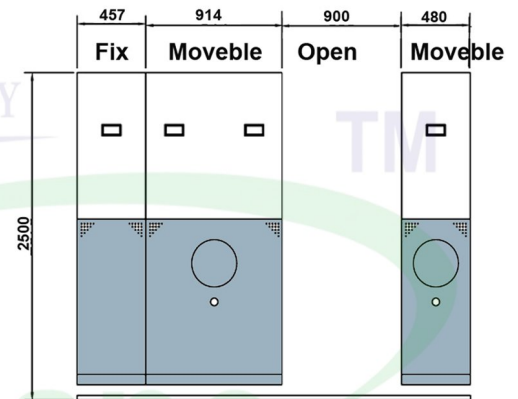
AN ISO CERTIFIED COMPANY
Metashape
A Unique Lifestyle
An ISO Certified Company

METASHAPE'S

Range of Weapons Compactor Storage System (Gun Compactor Storage System)



3D View



Side View



Top View

3 Bay 12 Body Compactor



METASHAPE WEAPONS COMPACTOR

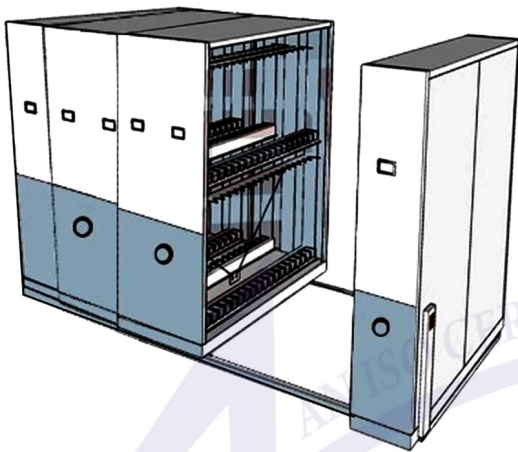
Trusted Brand in India

“METASHAPE” WEAPONS COMPACTOR

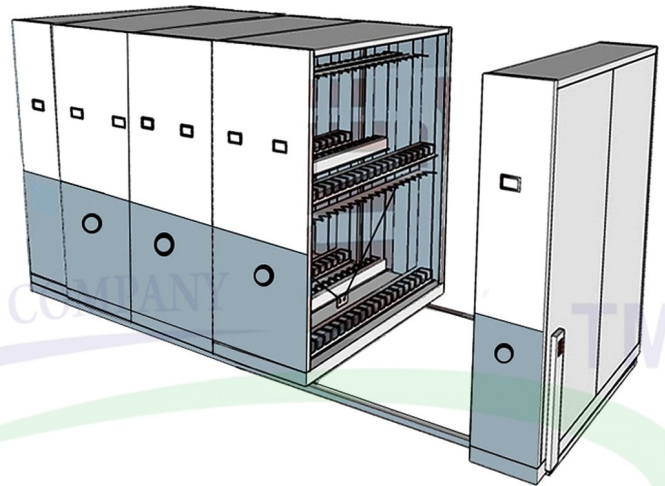
AN ISO CERTIFIED COMPANY
Metashape™
A Unique Lifestyle
An ISO Certified Company

METASHAPE'S

Range of Weapons Compactor Storage System (Gun Compactor Storage System)



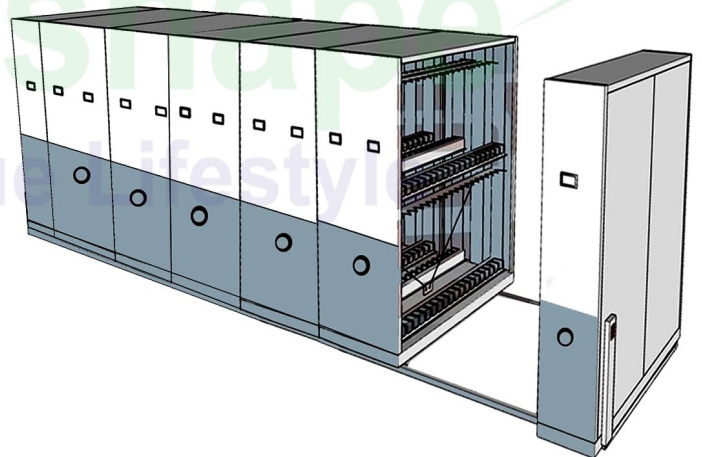
18 body Wepons Compactor



24 body Wepons Compactor



30 body Wepons Compactor



36 Body Compactor

most trusted brand in india
www.metashape.in

“METASHAPE” MECHANICAL FILE STORAGE COMPACTOR

AN ISO CERTIFIED COMPANY
Metashape™
A Unique Lifestyle
An ISO Certified Company

METASHAPE'S Range of Mechanical File Storage Compactors Site Photo's



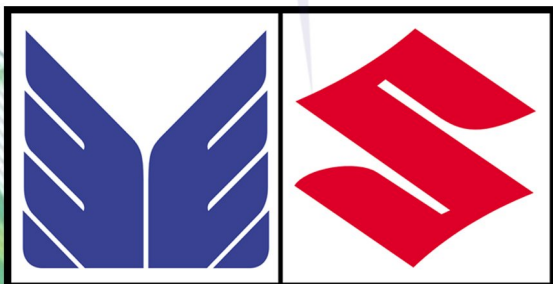
**SAVE OVER 50%
OF SPACE**



“METASHAPE” MECHANICAL FILE STORAGE COMPACTOR

AN ISO CERTIFIED COMPANY
Metashape
A Unique Lifestyle
An ISO Certified Company

METASHAPE'S Clients List



All Over India Approx 2500+ Satisfied Client's

Our Certificates



METASHAPE CERTIFICATS



BIFMA CERTIFICATE



AIOTA CERTIFICATE



GREEN GARD CERTIFICATE



ISO 14001:2015





PURPOSELY INNOVATIVE

INCIDENTALLY BEAUTIFUL

METASHAPE

A Company Of Quality.

METASHAPE WORKS INDIA PVT. LTD.

PALWAL FARIDABAD GURUGRAM NOIDA

www.metshape.in , www.metshapeworks.com

Email:- info@metshape.in , metshapeworks@gmail.com

Contacts :- 9873141443,9319317147,9653534646

