



# MULTISCAN Industry



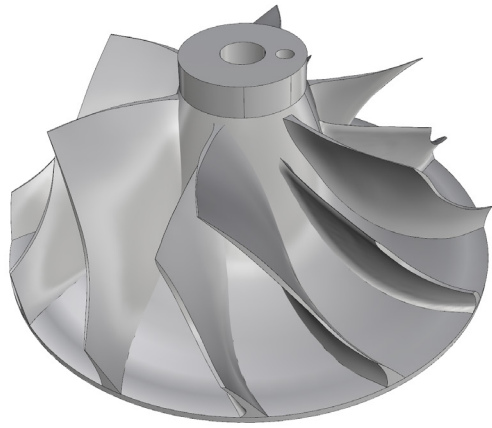




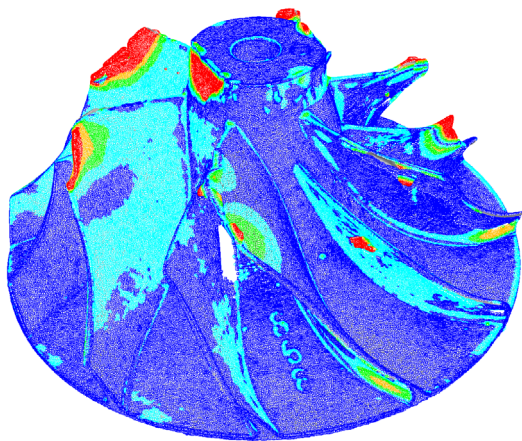
**WHAT DO  
WE OFFER?**



**3D SCANNING**



**REVERSE  
ENGINEERING**

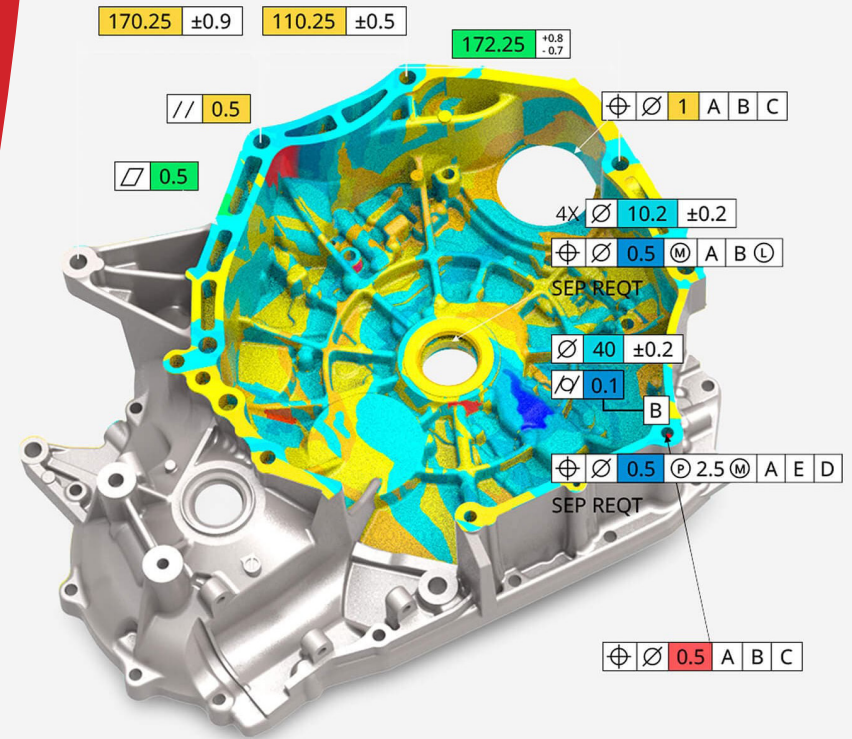


**DIMENSIONAL  
ANALYSIS**



# METROLOGY

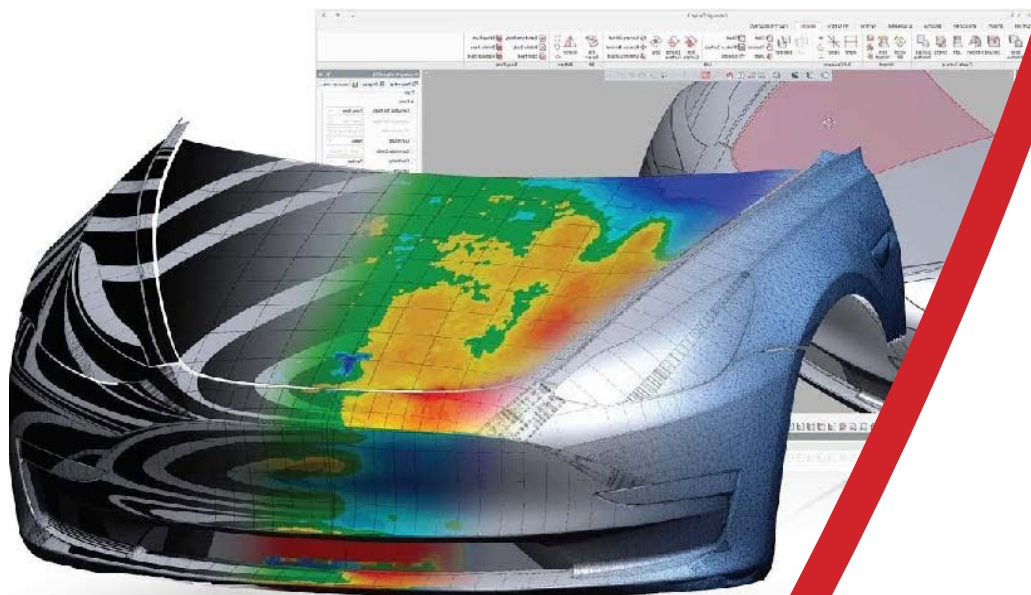
Multiscan deals with dimensional survey and verification with the possibility of issuing a certification of compliance with design tolerances. This activity also has great potential in the case of checking the deformations that a component under stress has undergone over time, giving the possibility of verifying whether damage and structural deficits are present that may compromise the functionality and integrity of the part.



# QUALITY CONTROL

3D scanning also finds great application in all quality checks of component manufacture.

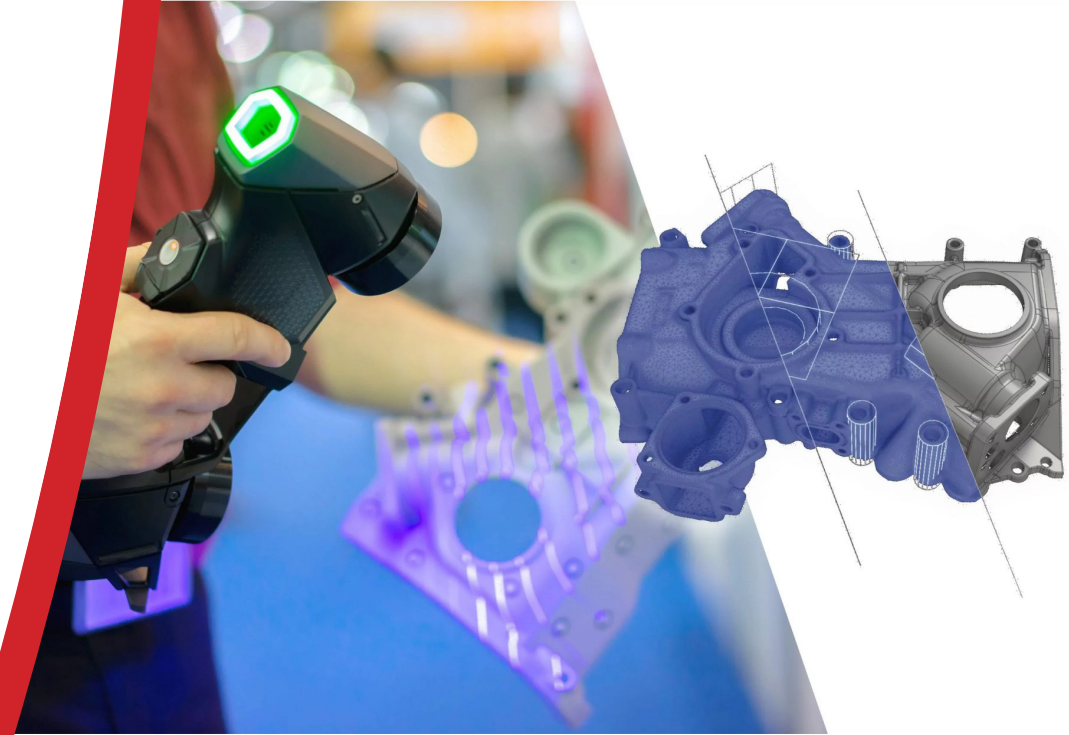
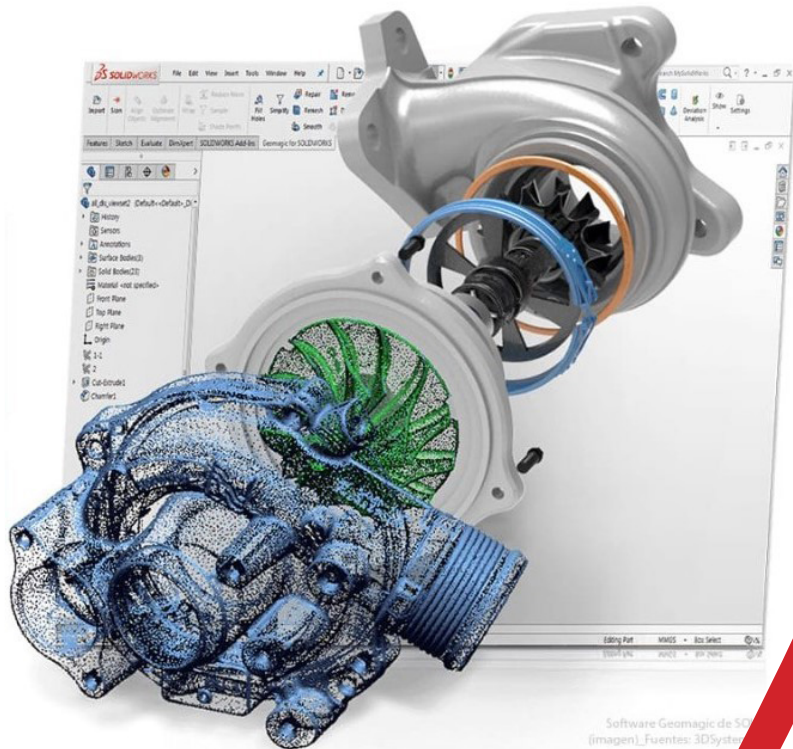
For example, let's take a look at a survey report the front of a car, the survey was carried out with the Kscan scanner at a resolution of 0.02mm, compared to the native three-dimensional model we can therefore verify design-product discrepancies



# COMPONENT REPLICATION

3D scanning, thanks to the incredible level of precision achieved and the versatility of use, is the most suitable tool for surveying custom components.

Components of assembly lines, for example, are often modified and adapted to machinery starting from a known 3D model and then modified and machined by hand. In these situations, scanning, followed by a reverse engineering process, is the most suitable solution if the original component needs to be replaced due to breakage and wear, limiting machine downtime to machining and shipping time, and cutting time and costs incredibly.



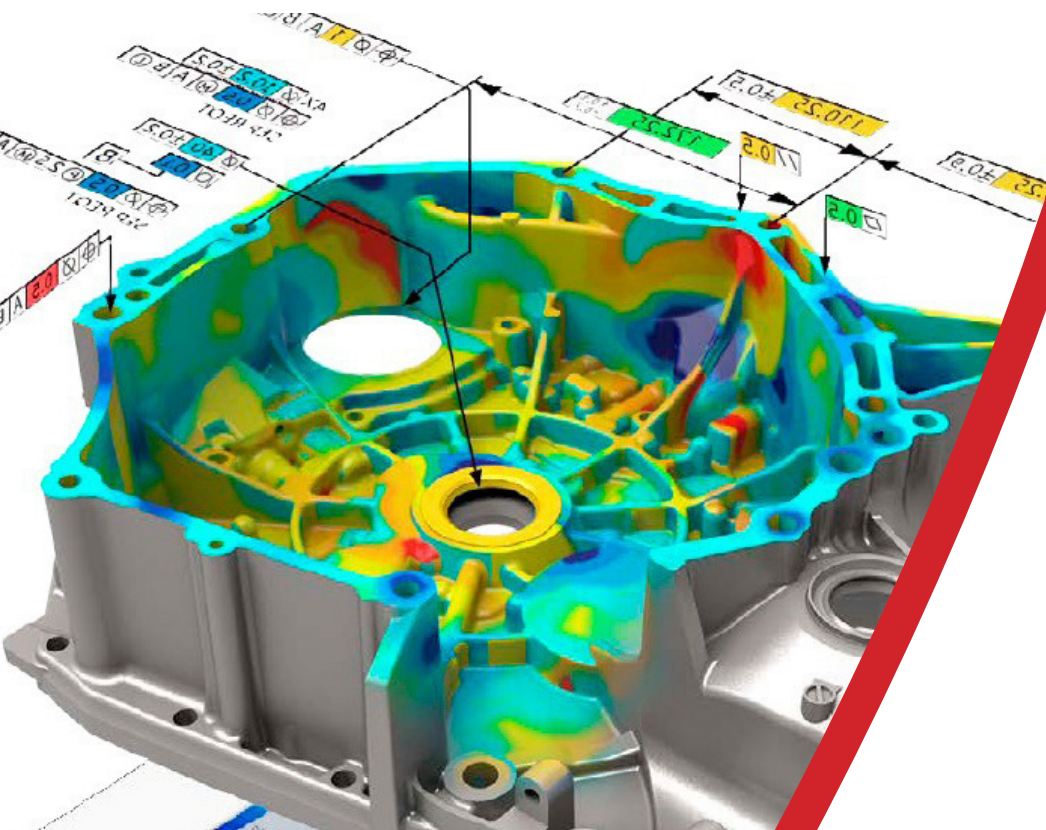
## DIGITAL TWIN OF MACHINED COMPONENTS

Another interesting use of 3D scanning is the survey of products and components for which no technical documentation is available. Multiscan can provide the customer with a 3D digital twin ready for CNC machining and digital modifications, which can then be integrated into the company's database.



# PROTOTYPE ANALYSIS

Multiscan can be the right partner during the development of new products, 3D scanning allows the survey of product geometries, thus enabling the comparison of any discrepancies between the design and the realised product during the preliminary phase of the production chain. It is also essential for the survey of products that are manually modified during the development phase and of which a final 3D model is not available.



Thanks to the compatibility of the files, which can be easily integrated into the company's databases, it is possible to lower time, production costs and increase the efficiency of the operation, which translates into savings for the company and the customer with a service that is superior to the competitors.

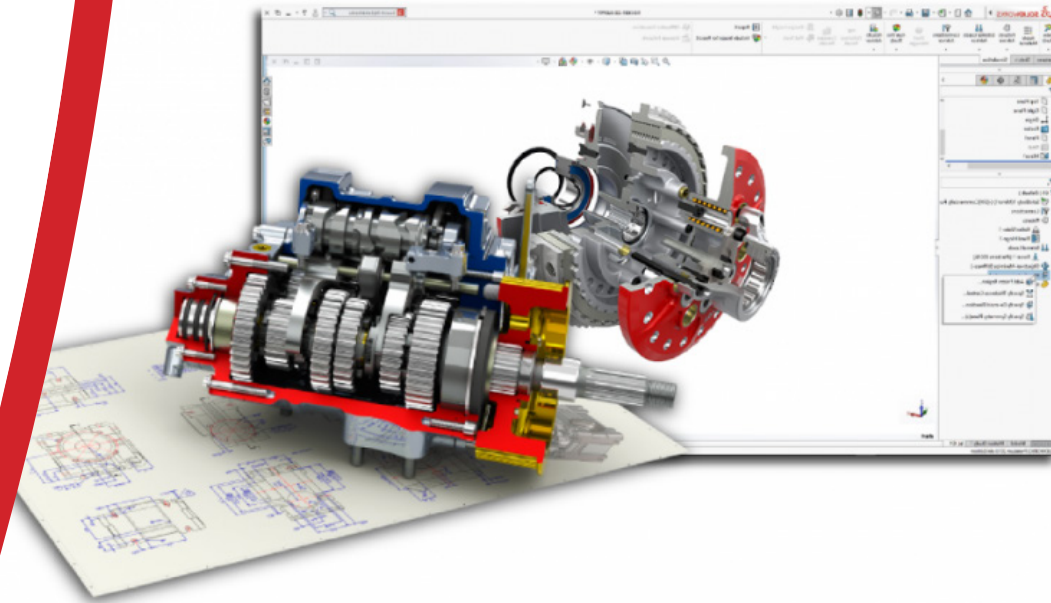
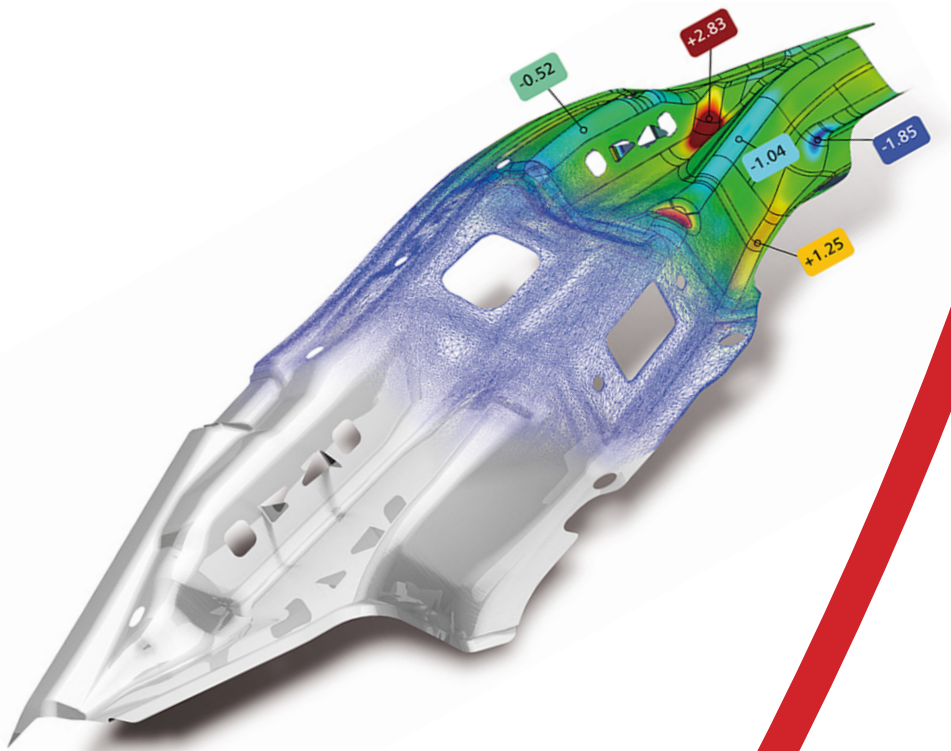
Industry



# MACHINERY SURVEY

During the life of a machine, one may find oneself in need of modifications or upgrades.

Precise 3D scanning allows additional components to be made by prefabricating them, thus minimising downtime and maximising the productivity of the plant, which is not only time-saving but also cost-effective.



## ASSEMBLY ASSISTANCE

Using 3D scanning and tools with tolerances down to 2 hundredths of a millimetre, we are able to assist in the assembly of components and production facilities.

When alignment between components is required, whether it is for the smallest tolerances for precision components or in the case of large structures, the assistance of specialised technicians who can check the correct assembly allows us to be sure of optimum performance.



# WE LISTEN TO YOUR NEEDS

Multiscan is always open to the requests of the most demanding customer. Thanks to 3D scanning, we are able to make the company reach standards never reached before, optimising time and costs.

Three-dimensional scanning often proves to be the most suitable solution even for solving construction problems as, thanks to a high-precision survey, it is possible to work towards a solution quickly.



Multiscan also operates in other sectors such as marine, aeronautics, energy and automotive, so we can be at your side with a versatile service along the supply chain and in the optimisation of a wide range of business sectors. We are always open to discussion in order to find the most suitable solution, and it is also an incentive for us to always improve and optimise our service.

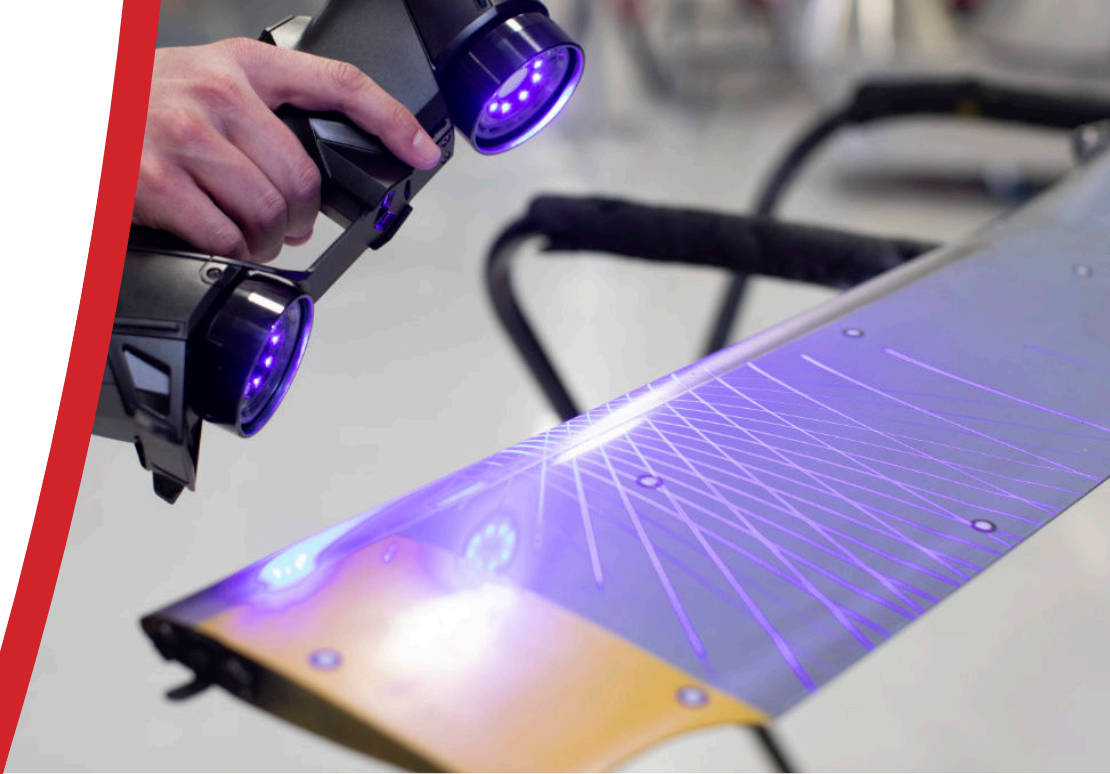




# WE LISTEN TO YOUR NEEDS

Multiscan is always open to the requirements of the most demanding customer, thanks to 3D scanning we are able to make the company reach standards never reached before, optimising time and costs.

Three-dimensional scanning often proves to be the most suitable solution even for solving construction problems as, thanks to a high-precision survey, it is possible to work towards a solution quickly.



Multiscan also operates in other sectors such as marine, aeronautics, energy and automotive, so we can be at your side with a versatile service along the supply chain and in the optimisation of a wide range of business sectors.

We are always open to discussion in order to find the most suitable solution, and it is also an incentive for us to always improve and optimise our service.

Industry





**MULTISCAN**

[www.multiscan.it](http://www.multiscan.it)

[info@multiscan.it](mailto:info@multiscan.it)  
+39 0185 215805

Via Cavour 50,  
16036 Recco (Ge) - Italy