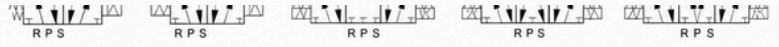


SOLENOID VALVE

4M SERIES



Order Code

4M	1	10	-	06	/	AC220V	Products
Specification Code	Series	Coil & Position		Port Size		Voltage	
5/2(3) Port Solenoid Valve	1:100 Series 2:200 Series 3:300 Series 4:400 Series	10:Single Coil Double Position 20:Double Coil Double Position 30C:Double Coil Three-position Closed Type 30E:Double Coil Three-position Exhaust Type 30P:Double Coil Three-position Pressurized Type		M5:M5 x 0.8 06:G1/8 08:G1/4 10:G3/8 15:G1/2		DC12V DC24V AC24V 50/60Hz AC110V 50/60Hz AC220V 50/60Hz AC380V 50/60Hz	

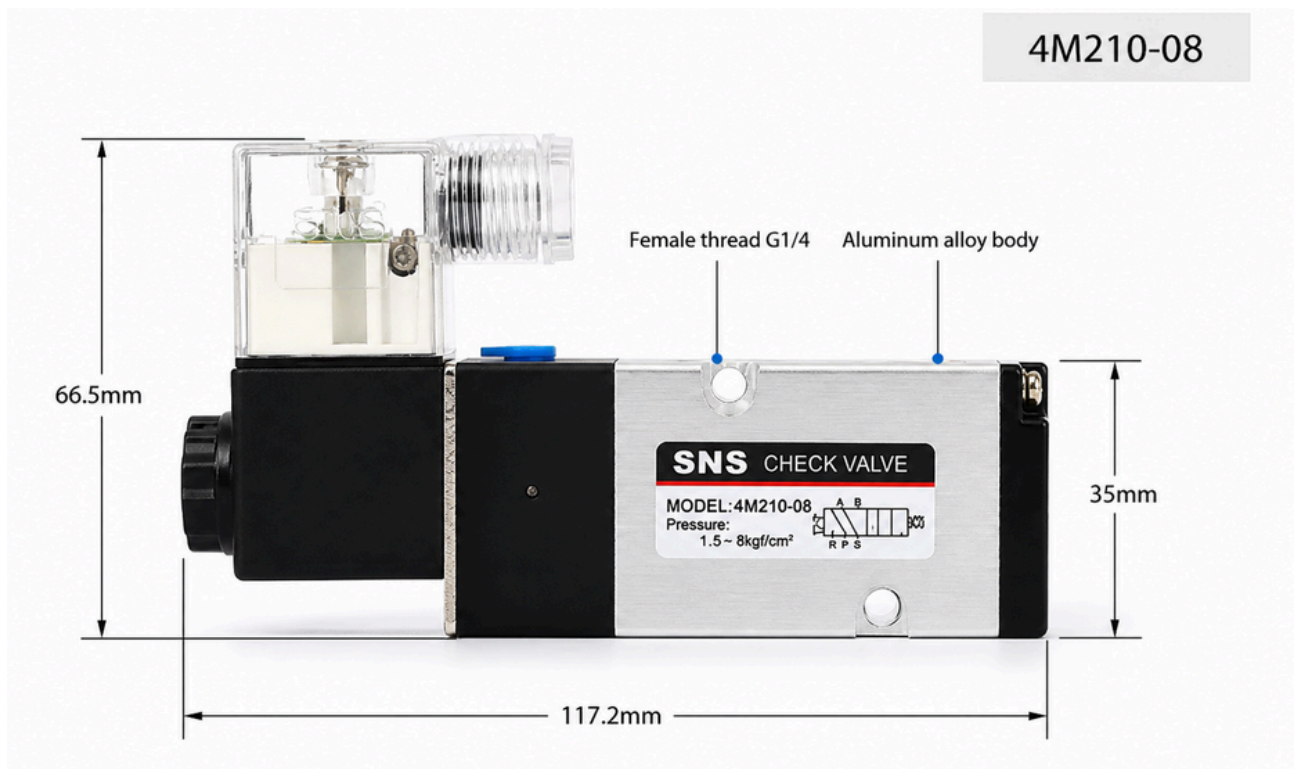


Solenoid Valve – 4M SERIES

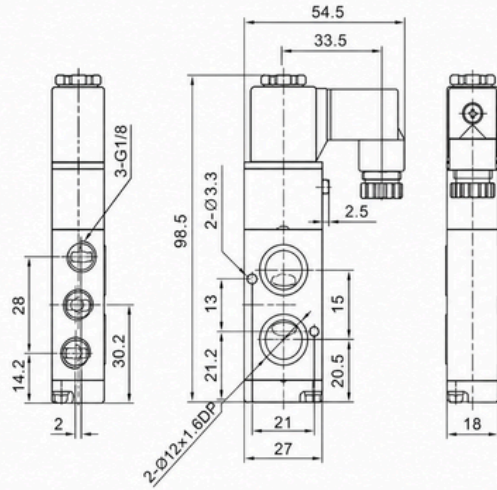
This solenoid valve is designed for reliable and efficient control of fluid and air flow in pneumatic systems. It enables remote electric control of valve opening and closing, ensuring precise regulation of flow direction and performance in industrial applications.

Engineered with a lightweight yet durable structure, this valve offers excellent strength, corrosion resistance, and long service life. It is ideal for electrically driven pneumatic control systems where consistent operation and fast response are required.

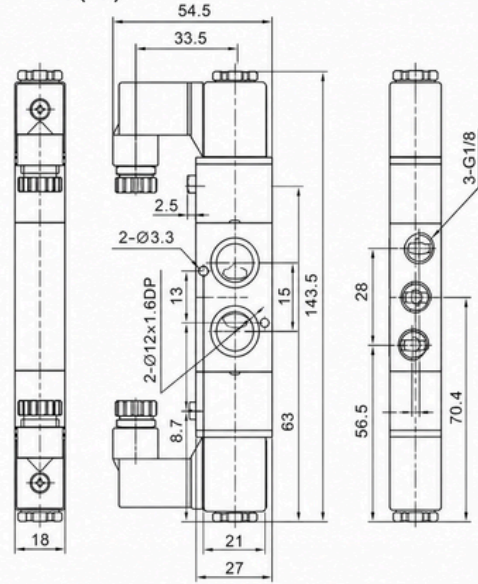
Model	4M110-M5	4M110-06	4M210-06	4M210-08	4M310-08	4M310-10	4M410-15	
	4M120-M5	4M120-06	4M220-06	4M220-08	4M320-08	4M320-10	4M420-15	
Working Media	Air							
Action Mode	Internal Pilot Type							
Position	5/2Post							
Lubrication	No Need							
Working Pressire	0.15~0.8Mpa							
Proof Pressure	1.0Mpa							
Working Temperature	0~60°C							
Voltage Range	±10%							
Power Consumption	AC:2.8VA DC: 2.8W	AC:5.5VA DC:4.8W						
Insulation Grade	F Level							
Protection Class	IP65(DIN40050)							
Connecting Type	Terminal type							
Max.Operating Frequency	5Cycle/Sec							
Min.Excitation Time	0.05Sec							
Body	Aluminum Alloy							
Seal	NBR							



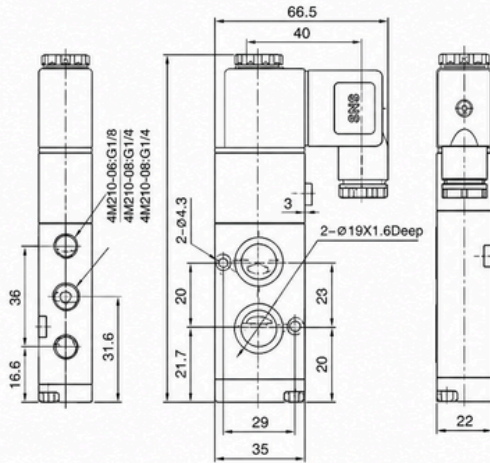
4M110-M5(06)



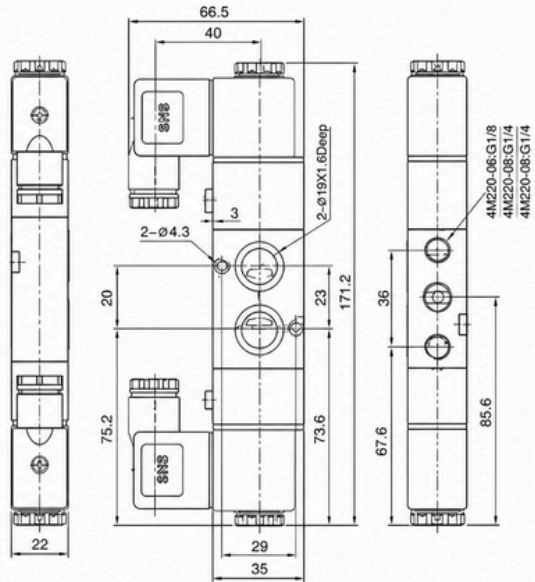
4M120-M5(06)



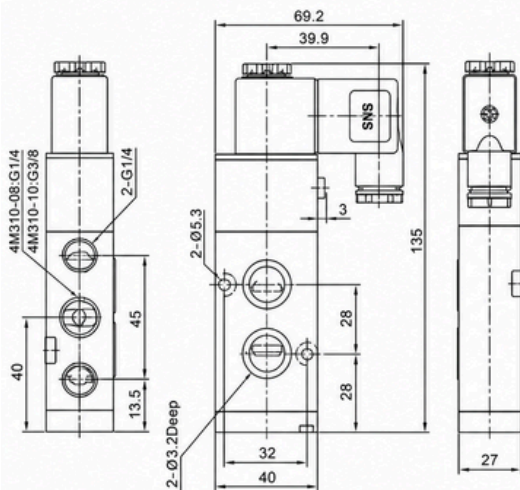
4M210-06(08)



4M220-06(08)



4M310-08(10)



4M320-08(10)

