

Air Filter

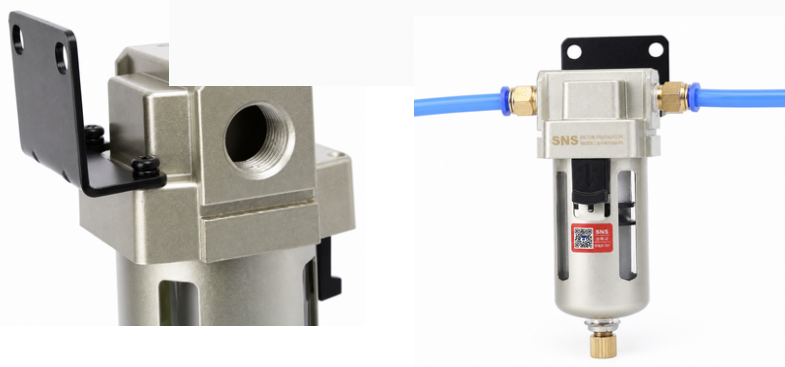
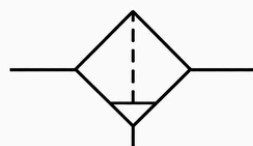
AF Series



ORDER CODE

AF	20	00	-	01	D
Series	Specification code	Combination code		Port size	Drain mode
	20	00: Triangular connector		M5: M5	Blank: Manual Type
	30			01: PT1/8	A: Semi-Automatic Type
	40	10: 2 pcs		02: PT1/4	AC: Differential pressure automatic drainage
	50			03: PT3/8	D: Automatic Type
				04: PT1/2	DA: Zero pressure automatic drainage
				06: G3/4	
				10: G1	

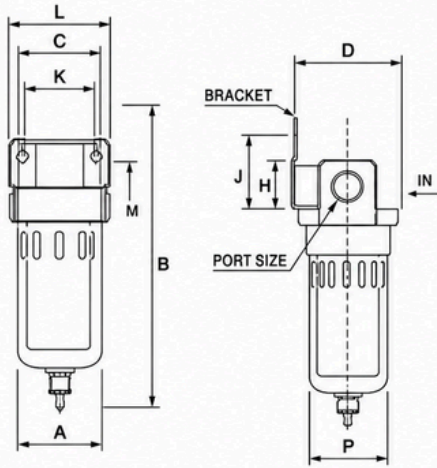
SYMBOL



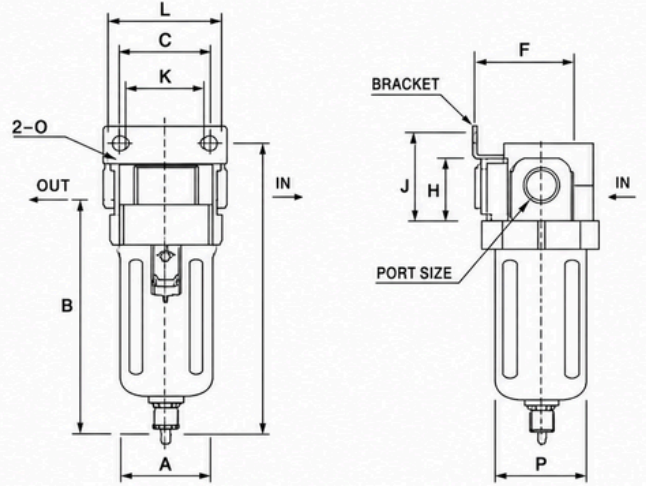
Model	AF1000-M5	AF2000-01	AF2000-02	AF3000-02	AF3000-03	AF4000-03	AF4000-04	AF4000-06	AF5000-06	AF5000-10
Port Size	M5*0.8	PT1/8	PT1/4	PT1/4	PT3/8	PT3/8	PT1/2	G3/4	G3/4	G1
Water Cup Capacity	4	15	15	20	20	45	45	45	130	130
Rated flow (L/Min)	110	750	750	1500	1500	4000	4000	6000	7000	7000
Working Media	Compressed Air									
Proof Pressure	1.5Mpa									
Max.Working Pressure	0.85Mpa									
Ambient Temperature	5-60°C									
Filter Precision	40µm(Normal) or 5µm(customized)									
Bracket(one)	-	B240A		B340A		B440A		B540A		
Material	Body Material	Aluminum Alloy								
	Cup Material	PC								
	Cup Cover	AF1000-AF2000: without AF000-AF5000: with(Steel)								

DIMENSIONS

AF1000-2000



AF3000-5000



Model	Port Size	A	B	C	D	E	F	G	H	J	K	L	M	P
AF1000	M5×0.8	25	66	7	25	-	-	-	-	-	-	-	-	26
AF2000	PT1/8,PT1/4	41	113	11	40.5	17.5	29	27	22.5	5.3	8.3	40	2	40.5
AF3000	PT1/4,PT3/8	53	134	14	53	17.5	40	40	24.5	6.5	8	53	2	56
AF4000	PT3/8,PT1/2	70	170	20	70	16	40.5	37.5	28	8.5	10.5	59	2.5	73
AF4000-06	G3/4	75	173.5	20	70	13	43	42.5	25	8.5	10.5	59.5	3	73
AF5000	G3/4,G1	90	247	24	90	13	49.5	54.5	29	8.5	10.5	71	3	79