

HAND LEVER VALVE HV SERIES



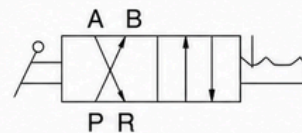
HV Series Pneumatic Hand Lever Valve

HV Series Pneumatic Hand Lever Valve is a high-performance manual rotary control valve designed for reliable air flow switching in pneumatic systems. Manufactured from high-quality aluminum alloy material, this valve offers excellent durability, corrosion resistance, smooth manual operation, and long service life. Its compact structure and ergonomic lever design make it ideal for industrial automation and pneumatic control applications.

HV Series

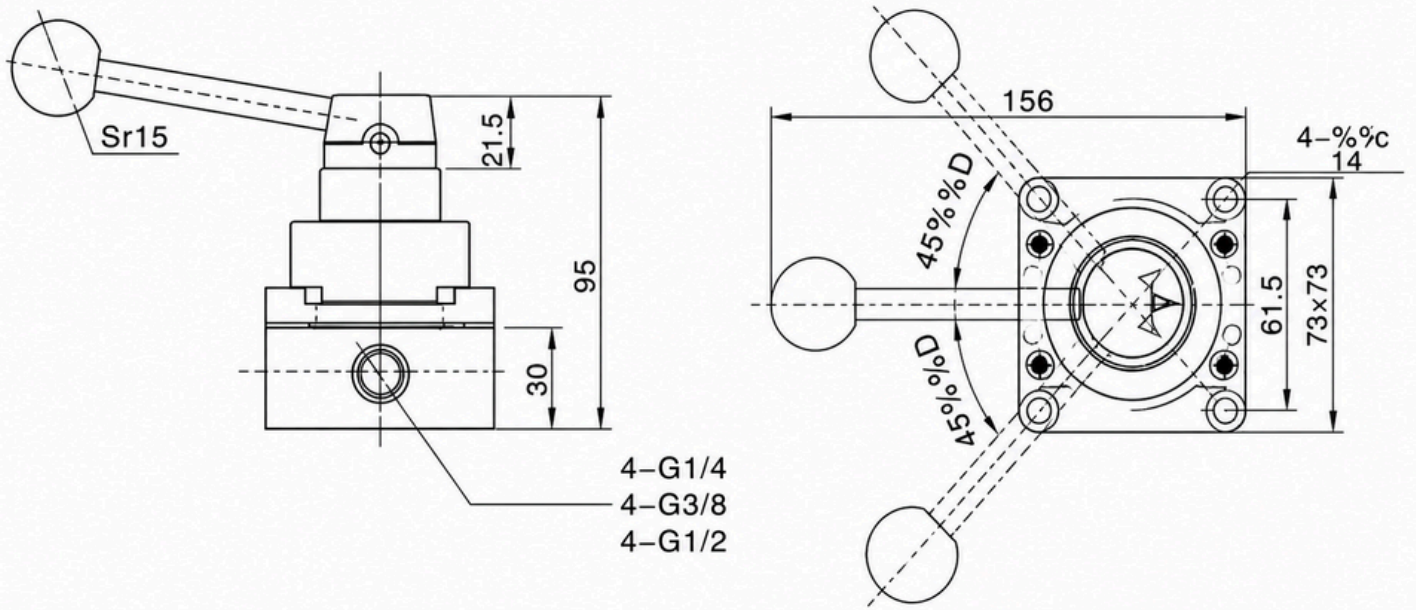


Symbol



Order Code

HV	-	02
Series		Port Size
		02: G1/4
		03: G3/8
		04: G1/2



Technical Specification

Model		HV-02	HV-03	HV-04
Working Media		Compressed Air		
Action Mode		Manual control		
Port Size		G1/4	G3/8	G1/2
Max.Working Pressure		0.8MPa		
Proof Pressure		1.0Mpa		
Working Temperature Range		0~60°C		
Lubrication		No Need		
Material	Body	Aluminum Alloy		
	Seal	NBR		