

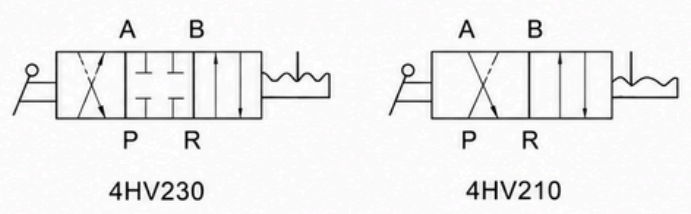
# ROTARY VALVE 4HV SERIES



## 4HV Series Pneumatic Hand Lever Valve

The Pneumatic Hand Lever Valve is a durable and reliable manual control valve designed for efficient pneumatic air flow management in industrial automation systems. Manufactured from high-quality engineering plastic and alloy materials, this valve provides smooth operation, excellent sealing performance, and long service life. Its compact structure and ergonomic lever design ensure easy installation and convenient operation for various pneumatic applications.

### Symbol

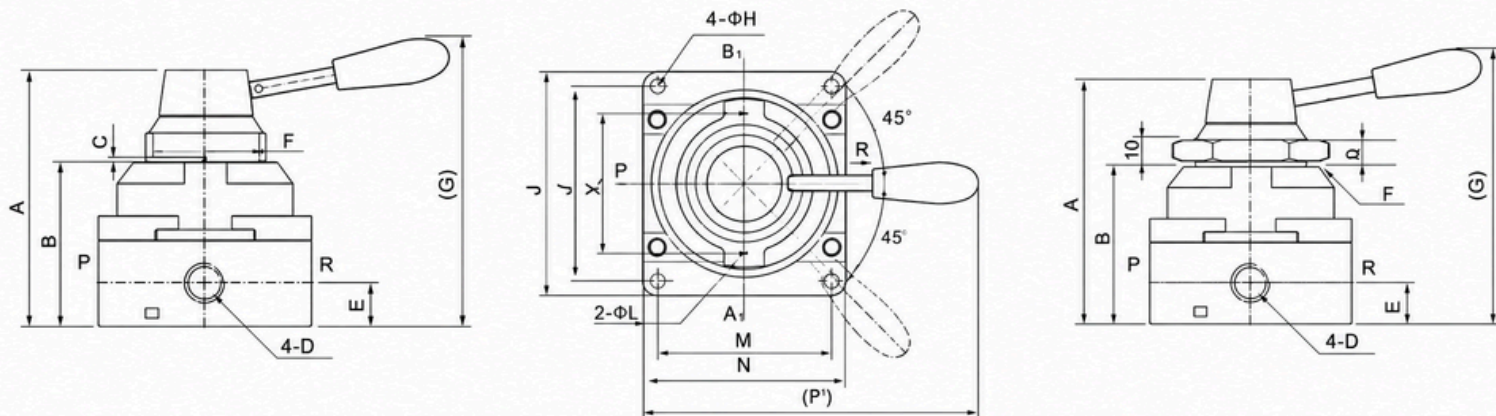


### Order Code

4HV	2	30	-	06	S
Series	Position	Port Size			Mounting Type
2: 200 Series	10: 2 Position	06: G1/8			Blank: Valve Body Mounting
3: 300 Series	20: 3 Position	08: G1/4			S: Panel Mounting
4: 400 Series	30: 3 Position	10: G3/8			
	40: 4 Position	15: G1/2			
		20: G3/4			

## ■ Dimension

We strive to be perfect in every detail.



## ■ Technical Specification

<i>Model</i>		4HV2**-06	4HV2**-08	4HV3**-08	4HV3**-10	4HV4**-15	4HV4**-20
Working Media		Clean Air					
Position		4/2 Port, 4/3 Port					
Port Size		G1/8	G1/4	G1/4	G3/8	G1/2	G3/4
Effective Sectional Area(mm <sup>2</sup> )		14(0.78)	16(0.89)	30(1.67)	33(1.83)	88(4.89)	95(5.27)
Working Pressure Range		1.0MPa					
Proof Pressure		1.5MPa					
Working Temperature Range		0~60°C					
Operation Angle		90°C					
Material	Body	Aluminum Alloy					
	Seal	Nylon					

Model	A	B	C	D	E	F	G	H	I	J	K	L	M	N	P
4HV2-06	74	45	1.5	G1/8	11.5	M34X1.5	91	5.2	62	49	40	3	49	62	120
4HV2-08	74	45	1.5	G1/4	11.5	M34X1.5	91	5.2	62	49	40	3	49	62	120
4HV3-08	88	55	1.5	G1/4	13	M40X1.5	105	6.5	73.5	62	51	3	62	73.5	140
4HV3-10	88	55	1.5	G3/8	13	M40X1.5	105	6.5	73.5	62	51	3	62	73.5	140
4HV4-15	109	70.5	2	G1/2	17.5	M52X1.5	130	6.5	101.5	89	63.5	3	81	94.5	160
4HV4-20	109	70.5	2	G3/4	17.5	M52X1.5	130	6.5	101.5	89	63.5	3	81	94.5	160