

Watchguard International Limited Are Specialists In Event Safety & Crowded Place Security – We Are:

A solution to all UK Laws regarding Crowded Places:

The Laws

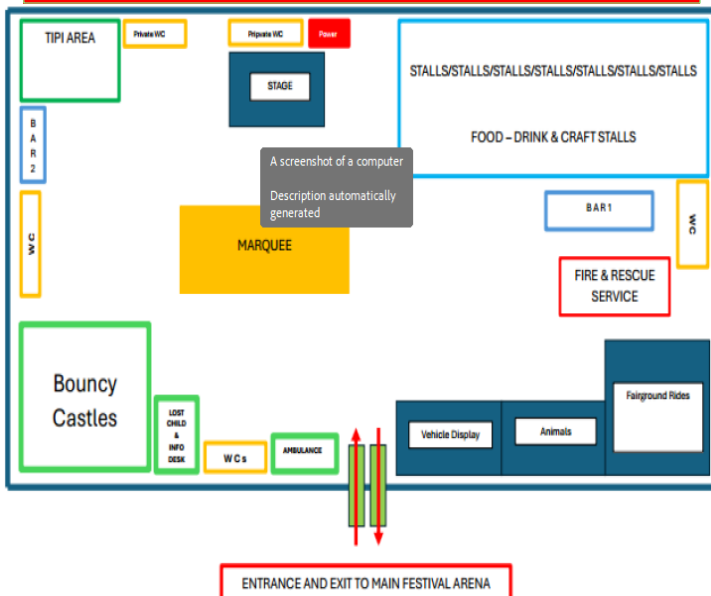
- Health & Safety at Work Act 1974
- Management of HASAW Act
- Crime & Disorder Act 1998
- Terrorism Act 2000
- Anti-terrorism, Crime & Security Act 2001
- Licensing Act 2003
- Building Regulations
- Prevention of Terrorism Act 2005
- Community Safety Partnerships
- Martyn's Law (Terrorism (Protection of Premises) Bill)

Assessment Process

You must have competently assessed every potential threat & provide a safe environment for the public, visitors & all staff; & they must be free from harm.

- Secure event perimeter including to vehicles (VAW)
- Secure access, control & 100% search (all weapons)
- Security Staff, Surveillance & Response team/WYP
- Trained Safety & Event Staff
- Onsite First Aid & Major Trauma response
- Tested Communications Plan
- Facilities Welfare & Power Security
- Security & Safety portfolio
- Emergency Procedures & Liaison

If you/we can achieve this, we can reduce your costs



This process is to ensure Deterrence & Detection of Crime. Public Safety, Traffic Management & Emergency Response. We can provide a competent & Qualified Safety & Security Specialist during the event if you don't have one of your own:



Initial Premises Location Survey

This initial survey is to enable the assessor to understand specific risks associated with location and demographics.

Initial Security Assessment

This is based on what you already have in place and what we need to produce for you to have a safe environment. We will effectively provide a complete risk management insight.

Main Security Assessment, Design, Evaluation and Survey Report ©

This report is a detailed security and safety assessment of the current security and safety arrangements of (Your Event). It will also identify the threats of crime and terrorism and allow evaluation of any associated risks which are identified, so actions can be taken to ensure a safe event.

The report will also work with the Operational Requirement (OR) to work with emergency plans and procedures.

<https://watchguardinternational.co.uk/downloads>



www.watchguardinternational.co.uk

info@watchguardinternational.co.uk