

VE CABINETS



Standard

- Comply with ANSI/EIA RS-310-D, IEC60297-2, DIN41494;PART1; DIN41494;PART7.

Material

- SPCC Cold Rolled Steel;
- 19" rails: 2.0mm;
- Casters tray:2.0mm; others: 1.2mm.

Colour

- VE ■■■■■■ 0 ■■■:RAL7035.
- VE ■■■■■■ 1 ■■■:RAL7021.

Loading Capacity

- Static loading: 1300KG.

CABINET

VE SERVER CABINETS



Feature

- Packaging: VE cabinets could be shipped in disassembled packing, saving transportation and storage cost.
- New appearance design :Side door: split into 2 parts, lockable with square locks.
Front and rear door: pluggable front door and rear doors, with external hinges.
- Casters: built-in installation design.
- Frame: duplex profile frames with patent, could be connected by 8 pieces of screws.
- Front and rear doors: "two points" locking design making doors and frames closed tighter, turning angle up to 180 degrees.
- Cable entries on top and bottom: sliding and adjustable cable entries on top and bottom, edges of cable entries are with the design to prevent wires from scratching.
- Fan unit: installed from top outside of cabinet, easy to install and maintain.
- Mounting rails: installation positions of mounting rails could be adjusted quickly. Dedicated channel alignment reserved in internal of cabinets.
- Cabinet structure: patented structure.
Maximum loading capacity: 1300kg.



- 19" mounting angle with scale enables users to precisely locate profile.



- 19" zinc coated profile with scale.



- Multi-function cable manger is available in the rear.



- Safety Warning label.



- Cable Entrance in the bottom is adjustable.



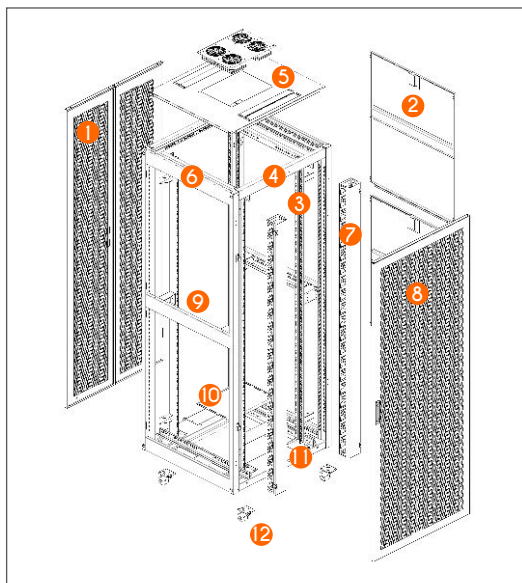
- Cable manager with cover is available for 800mm width cabinet.

CABINET

VE SERVER CABINETS

Main Part

S/N	Specification	Qty	Material	Surface Finish	Remark
1	Rear door	1	----	----	See front&rear door type
2	Side panel	4	SPCC t1.2	Powder coated	
3	19" rails	4	T2.0	zinc-plated	
4	Front beam	2	SPCC t1.5	Powder coated	
5	Top cover	1	SPCC t1.2	Powder coated	
6	Side frame	2	SPCC t1.2	Powder coated	
7	Cable management slot	2	SPCC t1.0	Powder coated	Only used for 800 width cabinet
8	Front door	1	----	----	See front&rear door type
9	Mounting spacer	4	T2.0	zinc-plated	Only used for 800 width cabinet
10	Bottom	1	SPCC t1.0	Powder coated	
11	Caster tray	2	SPCC t2.0	Powder coated	
12	2" heavy duty castor	4	----	----	----
Hardware kits with cabinet:					
A	M12 adjustable feet	4	Steel	zinc-plated	Height:100MM
B	M6 screw& nuts	20/40	Steel	zinc-plated	40pcs for over 33U



Ordering Information

VE ■■■ ■■■ ■■■ ■■■ ■■■ 00

- Definition of color:0-RAL7035; 1-RAL7021
- Definition of rear door:
 - 1-Tempered glass door with striped hole;
 - 4-Sheet steel door with hexagon hole;
 - 5-High-density vented door;
 - 6-High density double opened door with damper.
- Definition of front door:
 - 1-Tempered glass door with striped hole;
 - 4-Sheet steel door with hexagon hole;
 - 5-High-density vented door;
 - 6-High density double opened door with damper.
- Cabinet capacity:(U)
- Cabinet depth:(MM): 6=600;8=800;0=1000;
- Cabinet width:(MM): 6=600;8=800

CABINET

VE SERVER CABINETS

Ordering Information

Part Number.	Width (mm)	Depth(D)(mm)	Capacity (U)	Height(H)(mm)	CKD packing parts
VE.6624. ■■■. ■00	600	600	24	1200	3
VE.6642. ■■■. ■00			42	2000	
VE.6824. ■■■. ■00		800	24	1200	
VE.6842. ■■■. ■00			42	2000	
VE.6042. ■■■. ■00	800	1000	42	2000	4
VE.8842. ■■■. ■00		800	42	2000	
VE.8042. ■■■. ■00		1000	42	2000	



- Front&Rear Door(type 1)
Tempered glass door
long-handled lock
180° Maximum opening angle;
- Material:Sheet steel 4MM
safety glass
- Surface Finish: Powder coated
- Colour: RAL7035; RAL7021



- Front&Rear Door(type 4)
Sheet steel door with hexagon
hole,Long-handled lock;
180° Maximum opening angle;
- Material:Sheet steel
- Surface Finish: Powder coated
- Colour: RAL7035; RAL7021



- Front&Rear Door(type 5)
High-density vented door;
Slotted surface(SW7 hexagon)
Air inlet opening>67%;
long-handled lock;
180° Maximum opening angle;
- Material:Sheet steel
- Surface Finish: Powder coated
- Colour: RAL7035; RAL7021

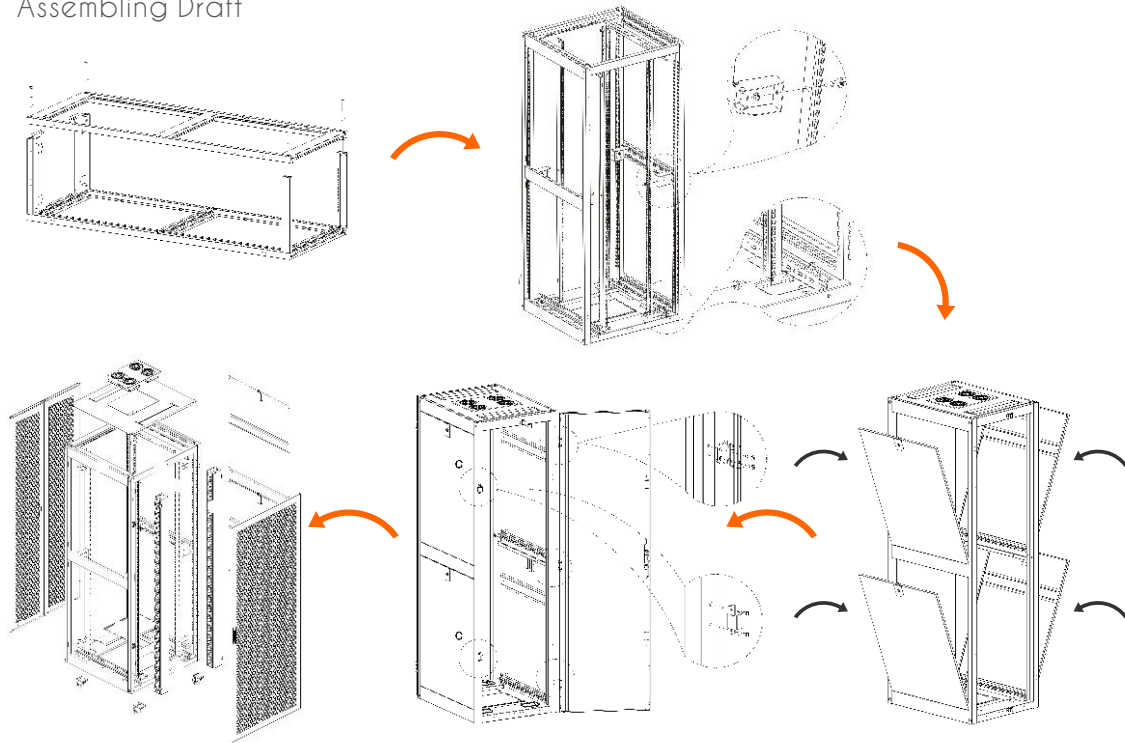


- Front&Rear Door(type 6)
High density double opened damper
(SW7 hexagon) Air inlet opening>67%;
long-handled lock;
180° Maximum opening angle;
- Material:Sheet steel
- Surface Finish: Powder coated
- Colour: RAL7035; RAL7021

CABINET

VE SERVER CABINETS

Assembling Draft



CKD Packing

